



US00D897397S

(12) **United States Design Patent** (10) **Patent No.:** **US D897,397 S**
Wang et al. (45) **Date of Patent:** **** Sep. 29, 2020**

(54) **STABILIZED CAMERA DEVICE**
(71) Applicant: **SZ DJI Technology Co., Ltd.**,
Shenzhen (CN)
(72) Inventors: **Chenjie Wang**, Shenzhen (CN);
Baichuan He, Shenzhen (CN); **Min Kim**,
Shenzhen (CN); **Dengfeng Hu**,
Shenzhen (CN); **Xingchi Chen**,
Shenzhen (CN)

D617,821 S 6/2010 Kaplan et al.
9,458,963 B1 10/2016 Choi et al.
D780,825 S 3/2017 Kim
D784,997 S 4/2017 Cheng et al.
D787,499 S 5/2017 Lee et al.
D791,760 S 7/2017 Kim
D794,606 S 8/2017 Zheng et al.
D795,946 S * 8/2017 Kim D16/206
(Continued)

(73) Assignee: **SZ DJI Technology Co., Ltd.**,
Shenzhen (CN)

CN 303404116 S 10/2015
CN 303404133 S 10/2015
(Continued)

(**) Term: **15 Years**

Primary Examiner — Sandra S Snapp
Assistant Examiner — Ieisha N Price

(21) Appl. No.: **29/717,853**

(74) *Attorney, Agent, or Firm* — Sterne, Kessler,
Goldstein & Fox P.L.L.C.

(22) Filed: **Dec. 19, 2019**

Related U.S. Application Data

(63) Continuation of application No. 29/655,000, filed on
Jun. 29, 2018, now Pat. No. Des. 874,539.

(51) **LOC (12) Cl.** **16-01**

(52) **U.S. Cl.**
USPC **D16/206**

(58) **Field of Classification Search**
USPC D16/200, 202, 203, 206, 207, 218
CPC H04N 7/18; H04N 7/183; H04N 5/2251;
H04N 5/2252; H04N 5/2258; G08B
13/19617; G08B 13/19619; G08B
13/1963; G08B 21/0247; G03B 17/561;
G03B 17/566; G03B 17/563; F16M
13/04; F16M 11/08; F16M 11/12; F16M
11/041; F16M 11/18; H04M 1/0235;
G01C 21/16

See application file for complete search history.

(56) **References Cited**

U.S. PATENT DOCUMENTS

D464,071 S * 10/2002 Liu D16/202
D612,882 S 3/2010 Kim et al.

FOREIGN PATENT DOCUMENTS

(Continued)

(57) **CLAIM**

The ornamental design for a stabilized camera device, as
shown and described.

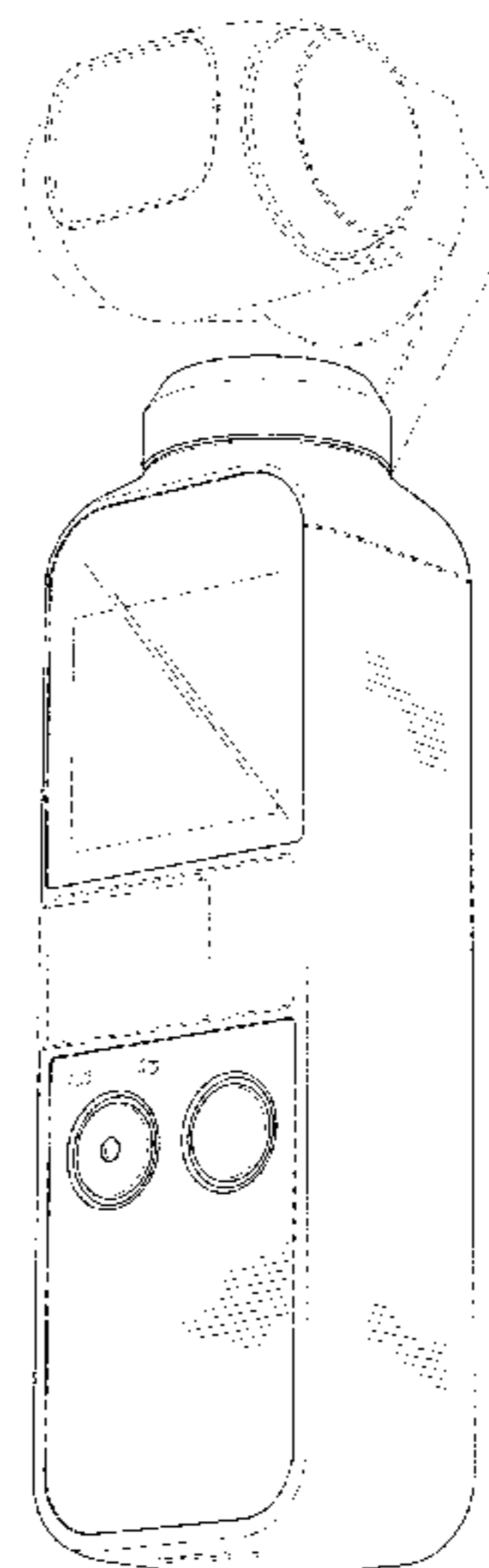
DESCRIPTION

FIG. 1 is a bottom front perspective view of a stabilized
camera device showing the claimed design;
FIG. 2 is a top rear perspective view thereof;
FIG. 3 is a front view thereof;
FIG. 4 is a rear view thereof;
FIG. 5 is a left side view thereof;
FIG. 6 is a right side view thereof;
FIG. 7 is a top view thereof; and,
FIG. 8 is a bottom view thereof.

The dashed broken lines in the figures show portions of the
stabilized camera device that form no part of the claimed
design.

The dot-dash broken lines in the figures show boundaries
that form no part of the claimed design.

1 Claim, 5 Drawing Sheets



US D897,397 S

(56)

References Cited

U.S. PATENT DOCUMENTS

D796,482 S	9/2017	Zheng et al.	
D799,448 S	10/2017	Zheng et al.	
D800,817 S	10/2017	Sutton et al.	
9,800,786 B1	10/2017	Wei	
9,816,666 B2	11/2017	Wang et al.	
D808,454 S	1/2018	Seflic et al.	
D810,171 S	2/2018	Kim et al.	
D810,806 S	2/2018	Kim et al.	
D811,466 S *	2/2018	Zheng	D16/219
9,891,505 B1	2/2018	Wei	
D814,545 S	4/2018	Kim et al.	
D815,180 S	4/2018	Kim et al.	
D824,882 S	8/2018	Zheng et al.	
D824,982 S	8/2018	Lee	
D836,699 S	12/2018	Kim et al.	
10,156,776 B1	12/2018	Wei	
D848,508 S *	5/2019	Hsu	D16/218
D849,107 S	5/2019	Huang	
D849,497 S	5/2019	Wang et al.	
D857,786 S	8/2019	Kim et al.	
D860,170 S	9/2019	Ding	
D863,411 S *	10/2019	Liao	D16/243
10,432,863 B2	10/2019	Appel et al.	
D866,647 S	11/2019	Kim et al.	
D868,877 S	12/2019	Lin et al.	
D874,532 S	2/2020	Chen	
D874,539 S	2/2020	Wang et al.	
D875,155 S	2/2020	Jeong et al.	
2004/0209577 A1	10/2004	Park et al.	
2005/0162545 A1	7/2005	Jeon	
2008/0159733 A1 *	7/2008	Liang	G03B 17/561 396/428

2008/0205874 A1 *	8/2008	Chen	G03B 17/02 396/419
2015/0071627 A1 *	3/2015	Hoang	F16M 13/00 396/421
2015/0261070 A1	9/2015	Feng et al.	
2015/0362122 A1	12/2015	Brown	
2016/0381271 A1	12/2016	Cheng et al.	
2017/0064176 A1	3/2017	Kim	
2017/0230580 A1 *	8/2017	Ohara	H04N 5/23296
2017/0241589 A1	8/2017	Wang et al.	
2017/0272641 A1 *	9/2017	Helm	H04N 5/23206
2017/0307136 A1	10/2017	Wei	
2018/0031951 A1	2/2018	Wang et al.	
2019/0063668 A1 *	2/2019	Wei	G03B 17/561
2019/0137852 A1	5/2019	Li et al.	
2019/0214925 A1 *	7/2019	Wei	H02P 5/56
2019/0215451 A1	7/2019	Enke et al.	

FOREIGN PATENT DOCUMENTS

CN	303739752 S	7/2016
CN	303775714 S	8/2016
CN	304014792 S	1/2017
CN	304505328 S	2/2018
CN	304546189 S	3/2018
CN	304640037	5/2018
CN	304642406	5/2018
CN	304672544 S	6/2018
CN	304934011	12/2018
EM	003071240-0001	4/2016
EM	005331790-0001	1/2019
EM	005331790-0002	1/2019
EM	006877163-0001	10/2019
JP	D1559463 S	9/2016

* cited by examiner

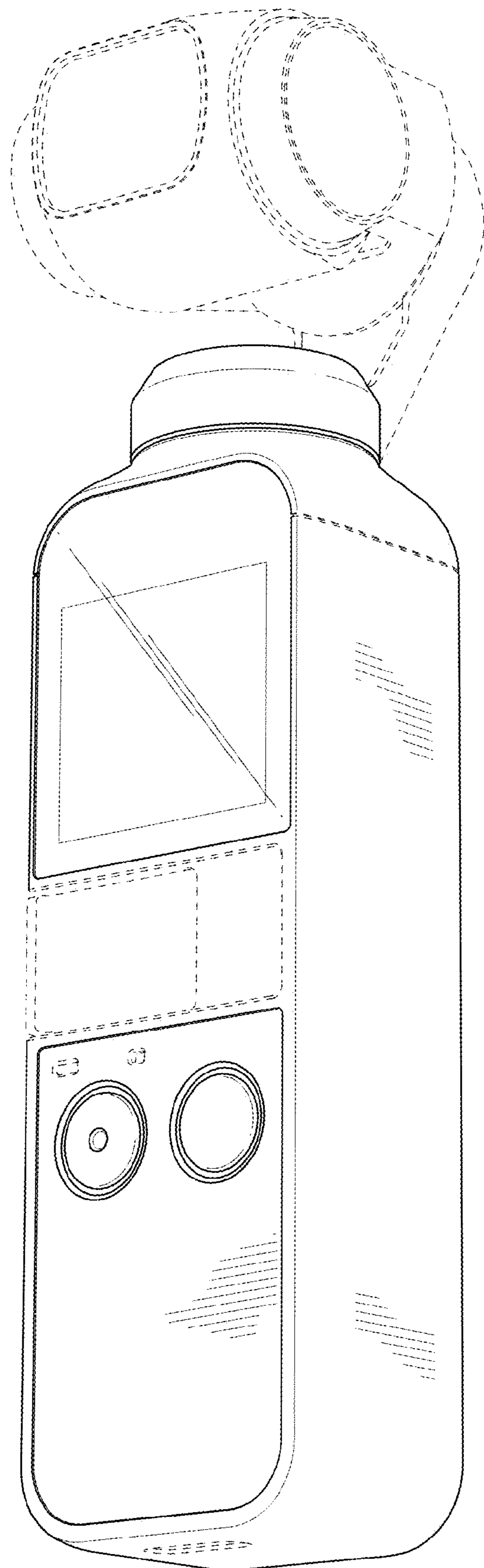


FIG. 1

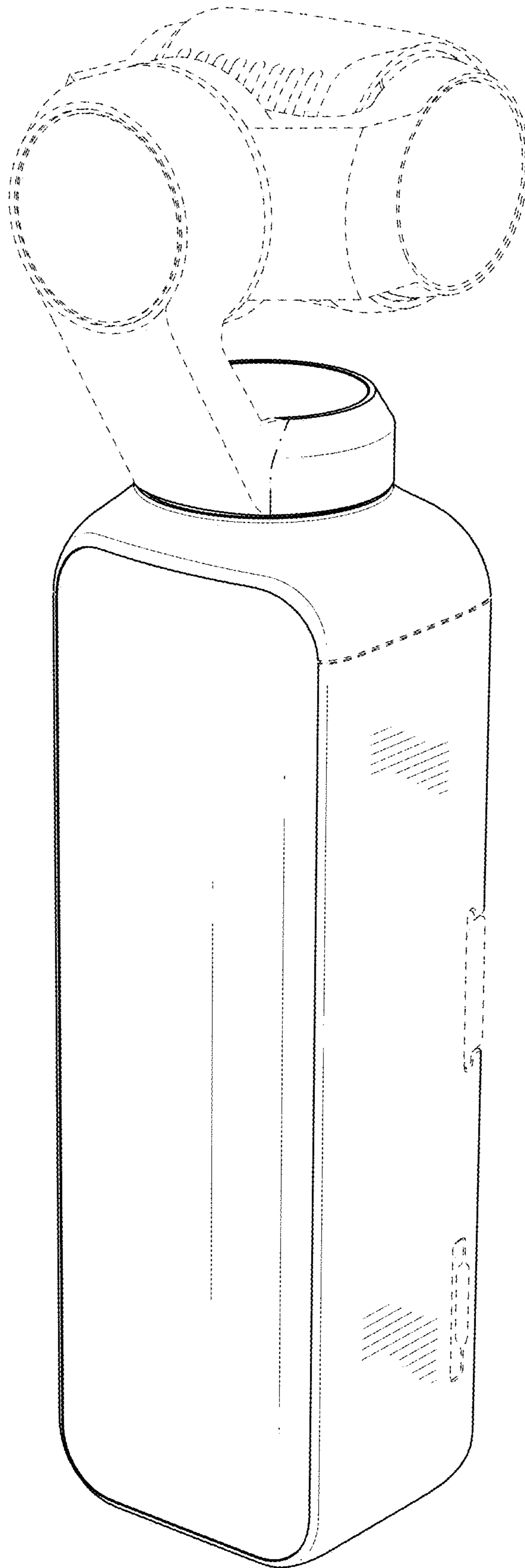


FIG. 2

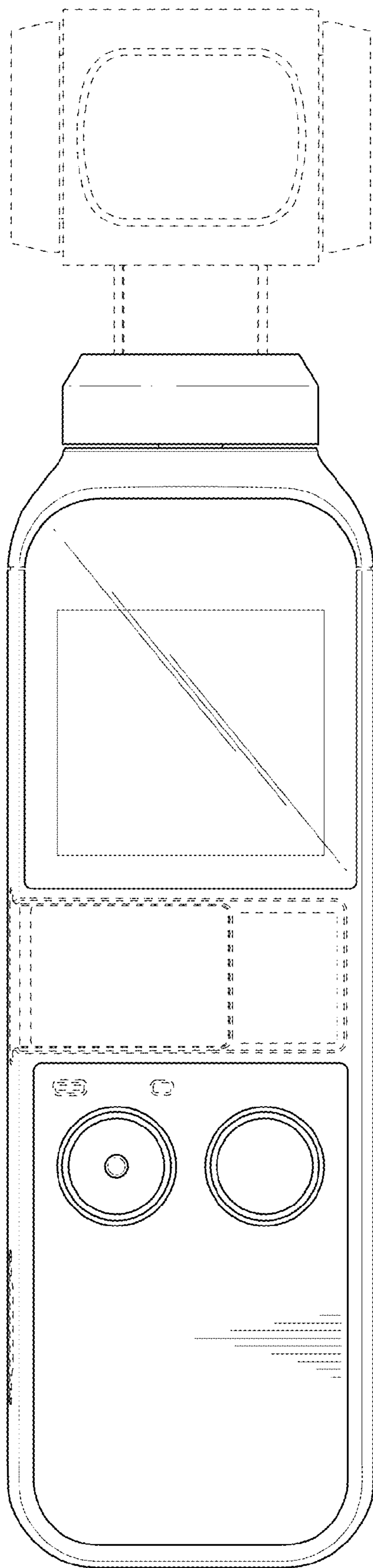


FIG. 3

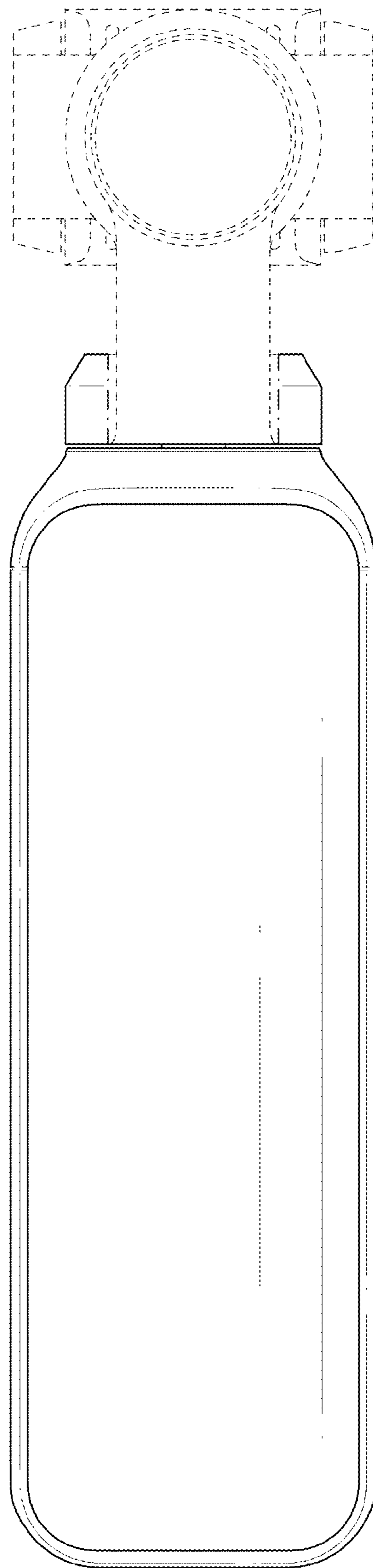


FIG. 4

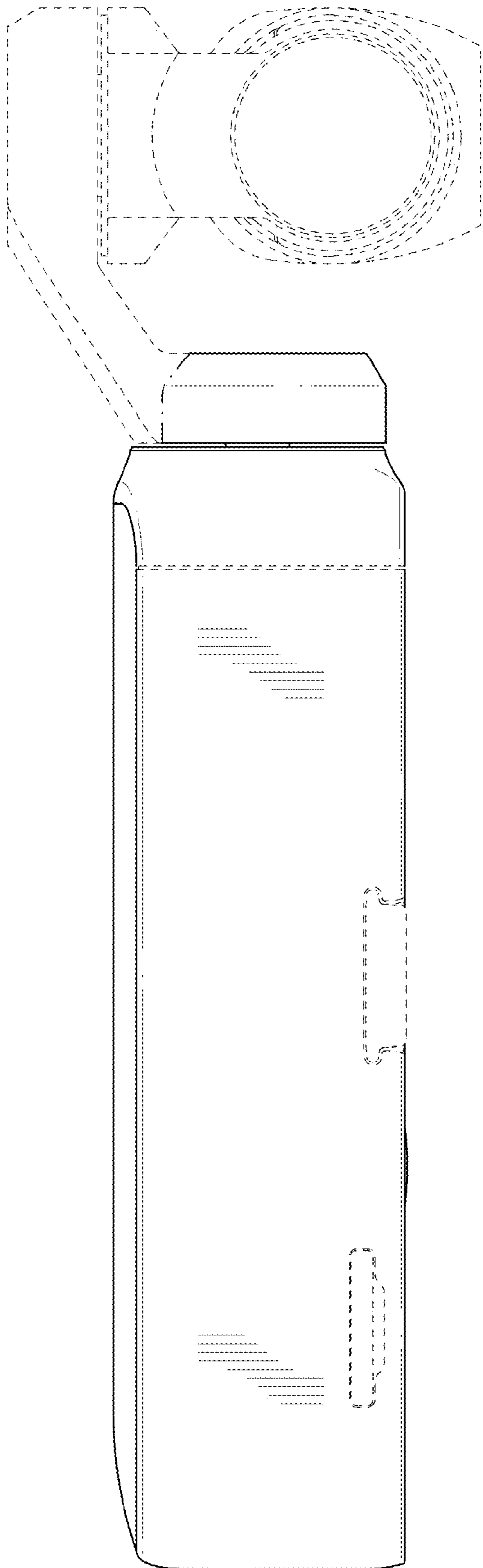


FIG. 5

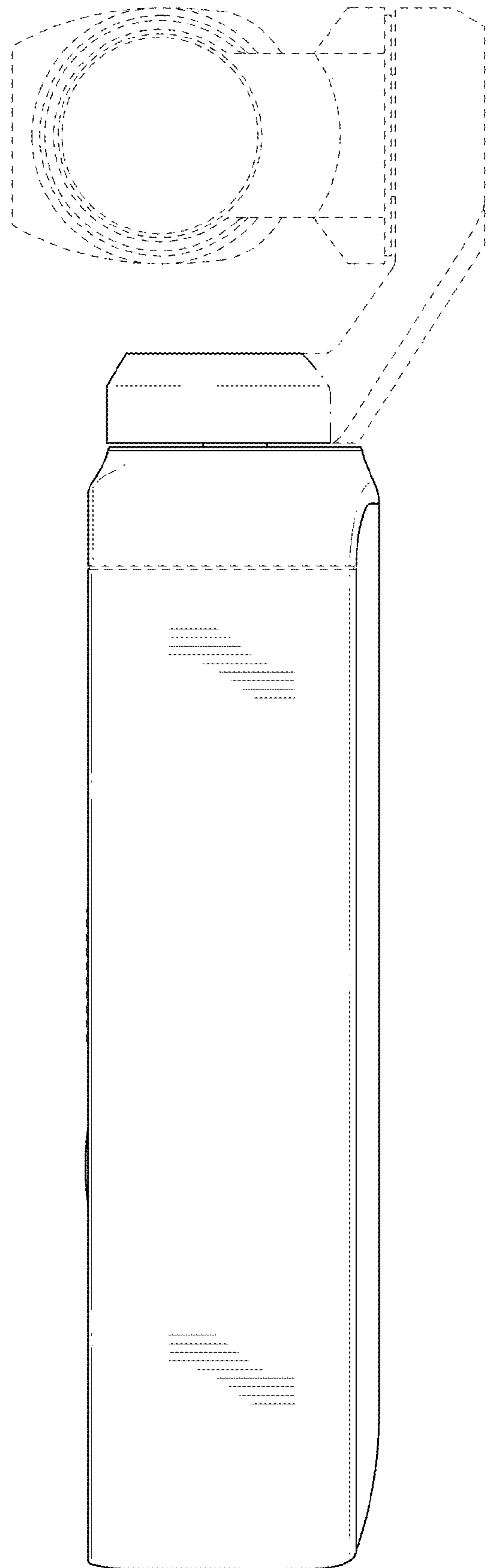


FIG. 6

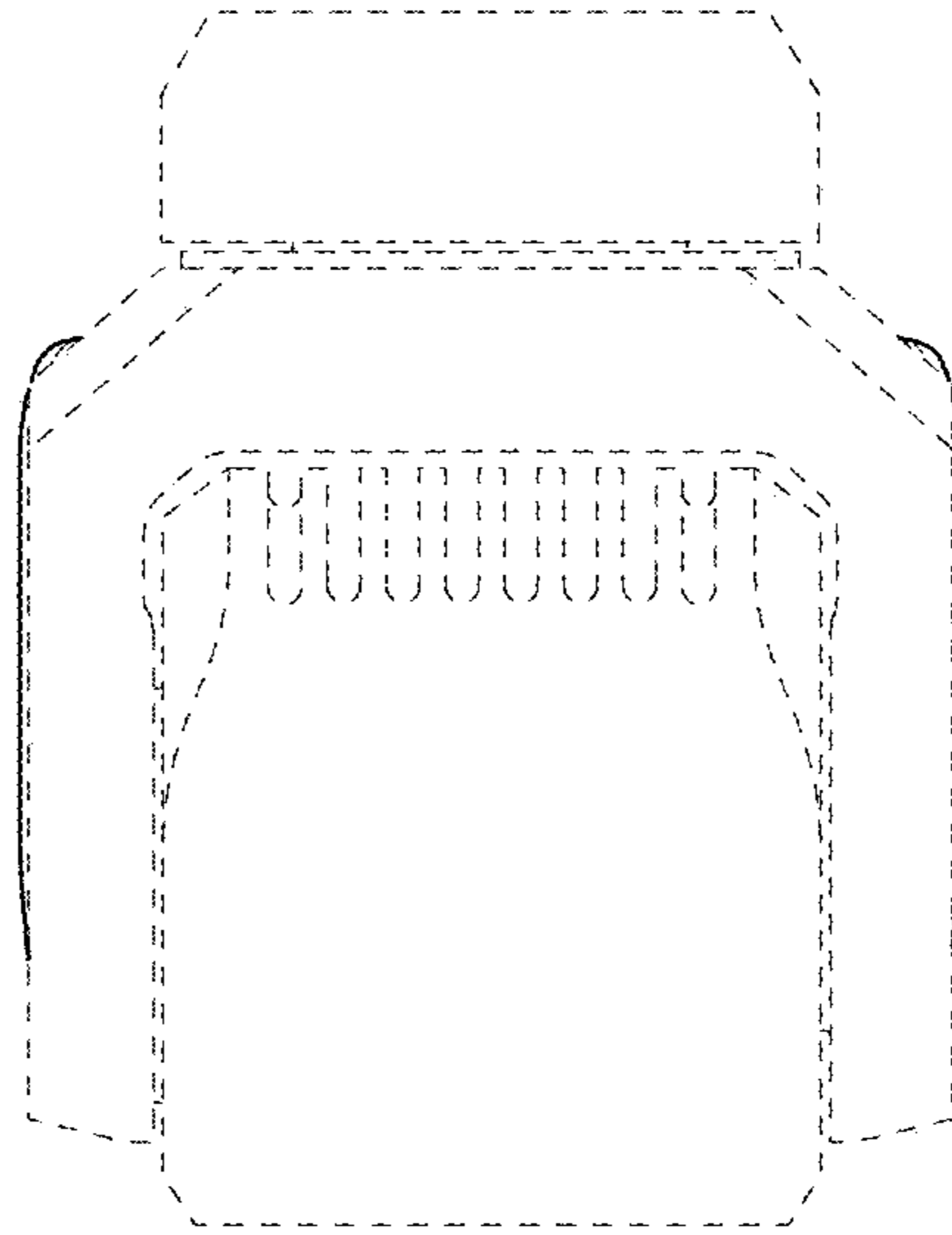


FIG. 7

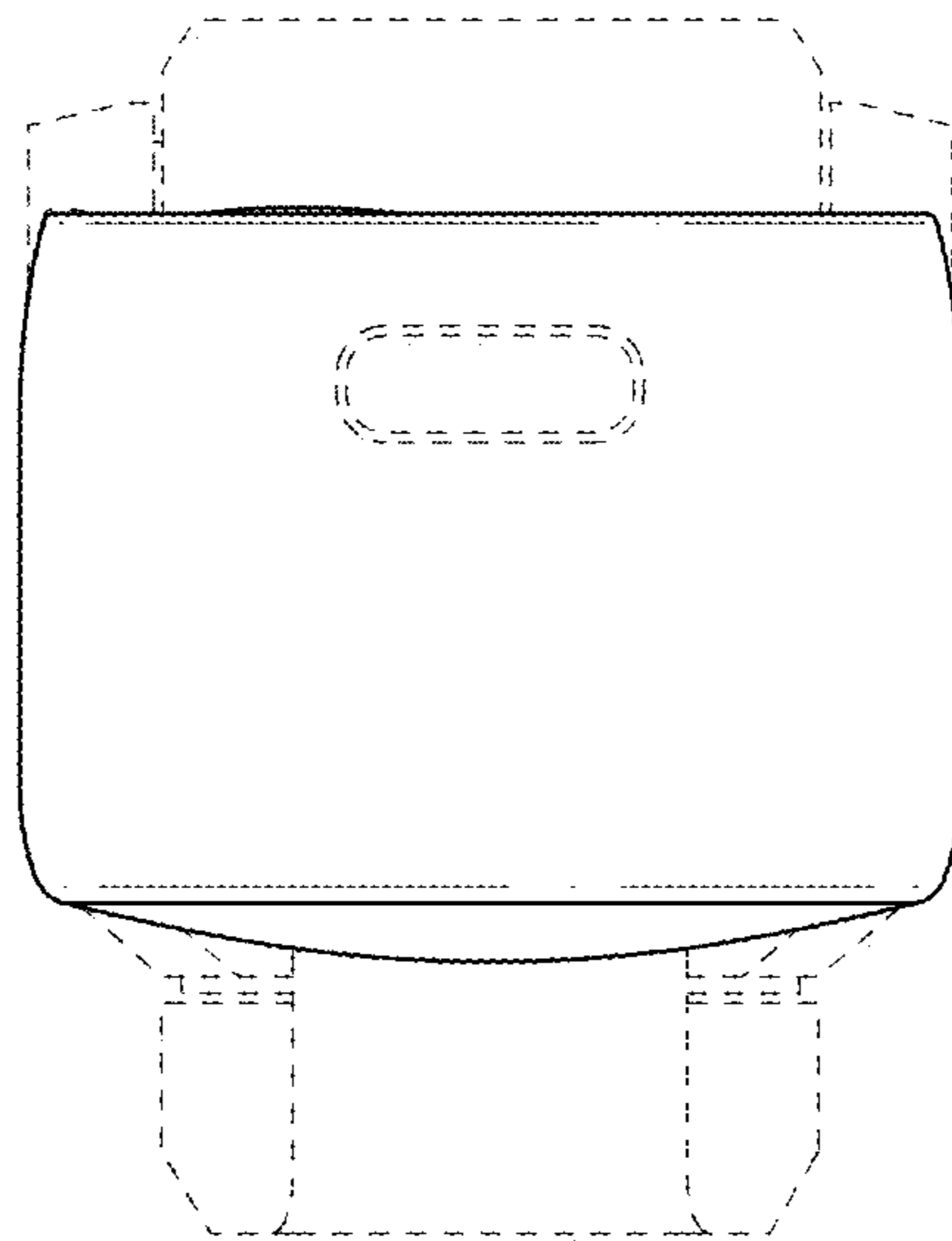


FIG. 8