



US00D897396S

(12) **United States Design Patent**  
**Veberg et al.**

(10) **Patent No.:** **US D897,396 S**

(45) **Date of Patent:** **\*\* Sep. 29, 2020**

(54) **MONITORING CAMERA**

5/23238; H04N 7/00; H04N 13/239;  
H04N 2101/00; F16M 13/00

(71) Applicant: **AXIS AB**, Lund (SE)

See application file for complete search history.

(72) Inventors: **Joakim Veberg**, Lund (SE); **Henrik Svedberg**, Lund (SE); **Johan Persson**, Lund (SE); **Johan Widerdal**, Lund (SE); **Jonas Sjögren**, Lund (SE); **Mathias Walter**, Lund (SE); **Mariano Vozzi**, Lund (SE); **Ola Andersson**, Lund (SE); **Christian Jacobsson**, Lund (SE); **Daniel Ahman**, Lund (SE)

(56) **References Cited**

U.S. PATENT DOCUMENTS

D435,799	S	*	1/2001	Leen	.....	D10/104.1
D474,489	S	*	5/2003	Kawashima	.....	D16/202
D576,651	S	*	9/2008	Willis	.....	D16/203
D576,652	S	*	9/2008	Willis	.....	D16/203
D576,653	S	*	9/2008	Malthouse	.....	D16/203
D634,346	S	*	3/2011	Park	.....	D16/203
D637,639	S	*	5/2011	Park	.....	D16/203
D671,157	S	*	11/2012	Richardson	.....	D16/202
D694,304	S	*	11/2013	Hinkel	.....	D16/203
8,651,041	B2	*	2/2014	Myers	.....	B63C 11/46 114/315
D707,745	S	*	6/2014	Hernandez	.....	D16/215
D711,451	S	*	8/2014	Katsuyama	.....	D16/208

(Continued)

*Primary Examiner* — Dana K Weiland

*Assistant Examiner* — Mary Claire Ramirez

(74) *Attorney, Agent, or Firm* — Volpe and Koenig, P.C.

(73) Assignee: **AXIS AB**, Lund (SE)

(\*\*) Term: **15 Years**

(21) Appl. No.: **29/658,859**

(22) Filed: **Aug. 3, 2018**

(30) **Foreign Application Priority Data**

Feb. 12, 2018 (EM) ..... 004706091

(51) **LOC (12) Cl.** ..... **16-01**

(52) **U.S. Cl.**  
USPC ..... **D16/203**

(58) **Field of Classification Search**

USPC ..... D16/200–220, 131, 132, 237, 242, 239,  
D16/250, 235, 130, 134, 136, 238, 243;  
D14/417, 138 C, 240, 248, 203.1, 203.3,  
D14/203.7, 218, 207, 440, 402, 454, 407,  
D14/408, 252, 253; D10/104.1, 50, 65,  
D10/74, 70, 118.2, 66; D12/187;  
D29/102, 122, 103; D3/269, 267;  
D30/199

CPC ..... G03B 17/00; G03B 17/02; G03B 17/56;  
G03B 17/04; G03B 17/14; G03B 17/08;  
G03B 15/03; G03B 15/06; H04N  
1/00981; H04N 5/2251; H04N 5/2252;  
H04N 5/2253; H04N 5/2254; H04N

(57) **CLAIM**

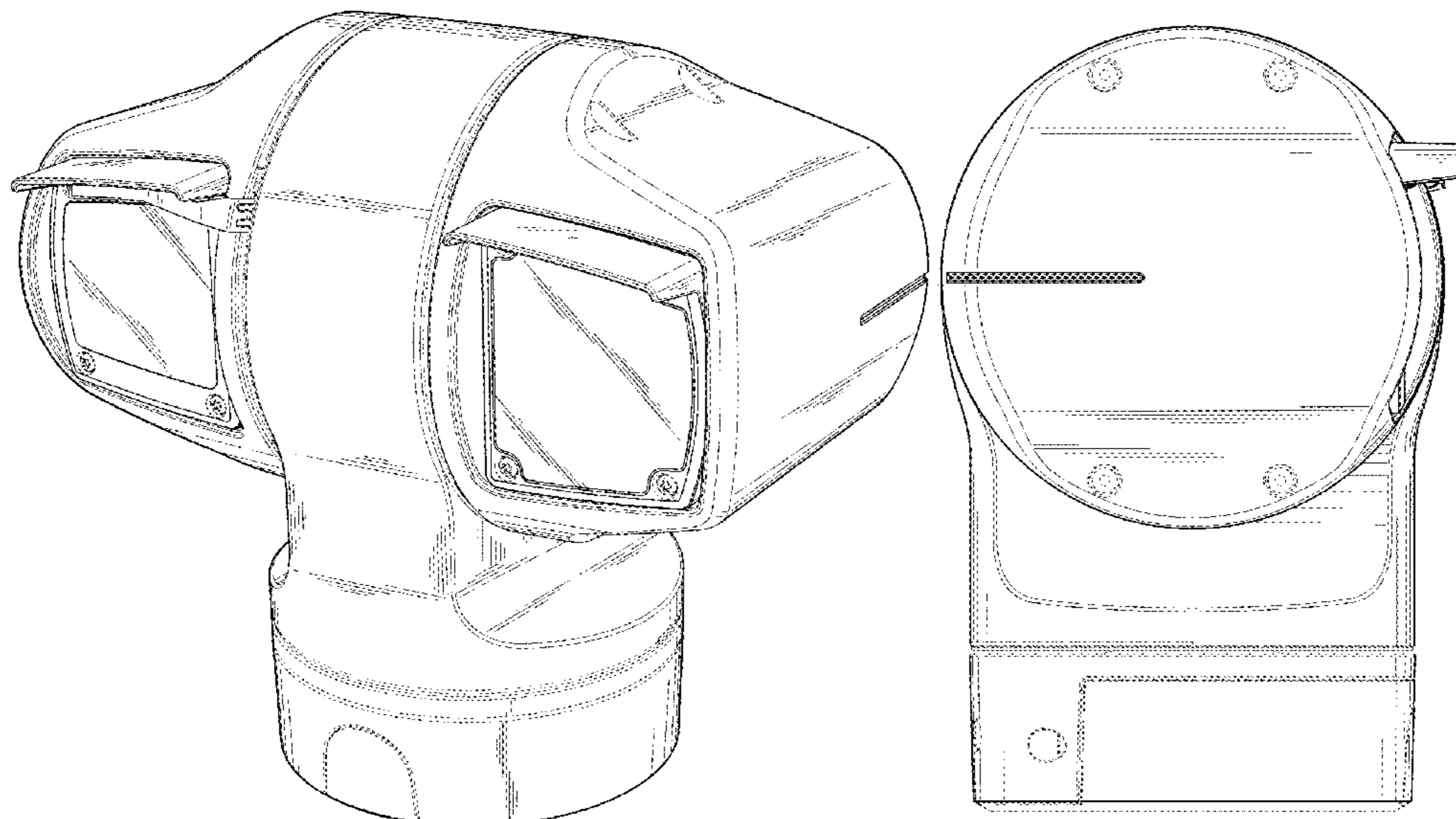
The ornamental design for a monitoring camera, as shown and described.

**DESCRIPTION**

FIG. 1 is a perspective view of a monitoring camera showing our new design;  
FIG. 2 is a front elevational view thereof;  
FIG. 3 is a top plan view thereof;  
FIG. 4 is a right side view thereof;  
FIG. 5 is a left side view thereof;  
FIG. 6 is a rear elevational view thereof; and,  
FIG. 7 is a bottom plan view thereof.

The broken lines shown in the drawings depict portions of the monitoring camera that form no part of the claimed design.

**1 Claim, 4 Drawing Sheets**



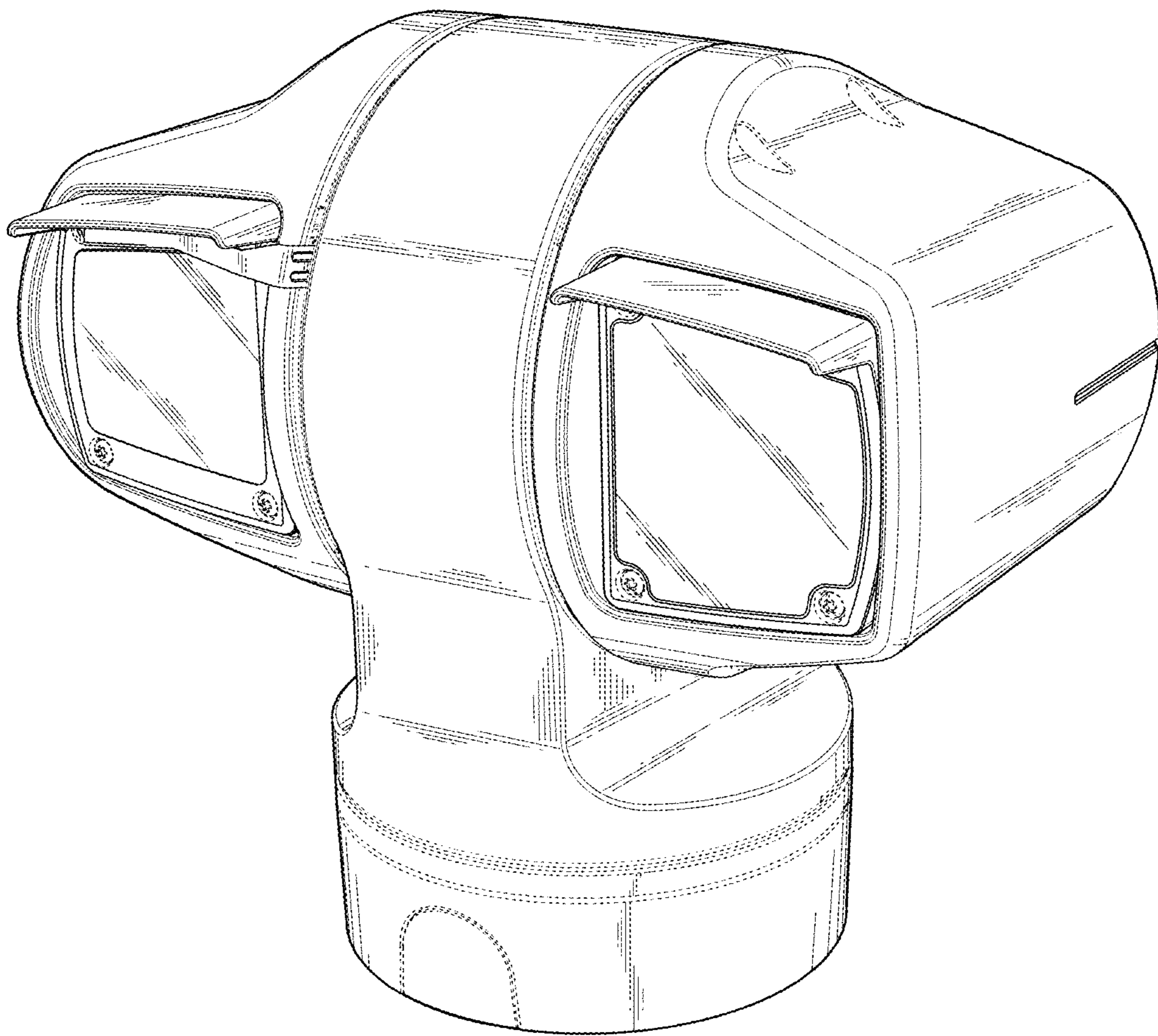
(56)

**References Cited**

U.S. PATENT DOCUMENTS

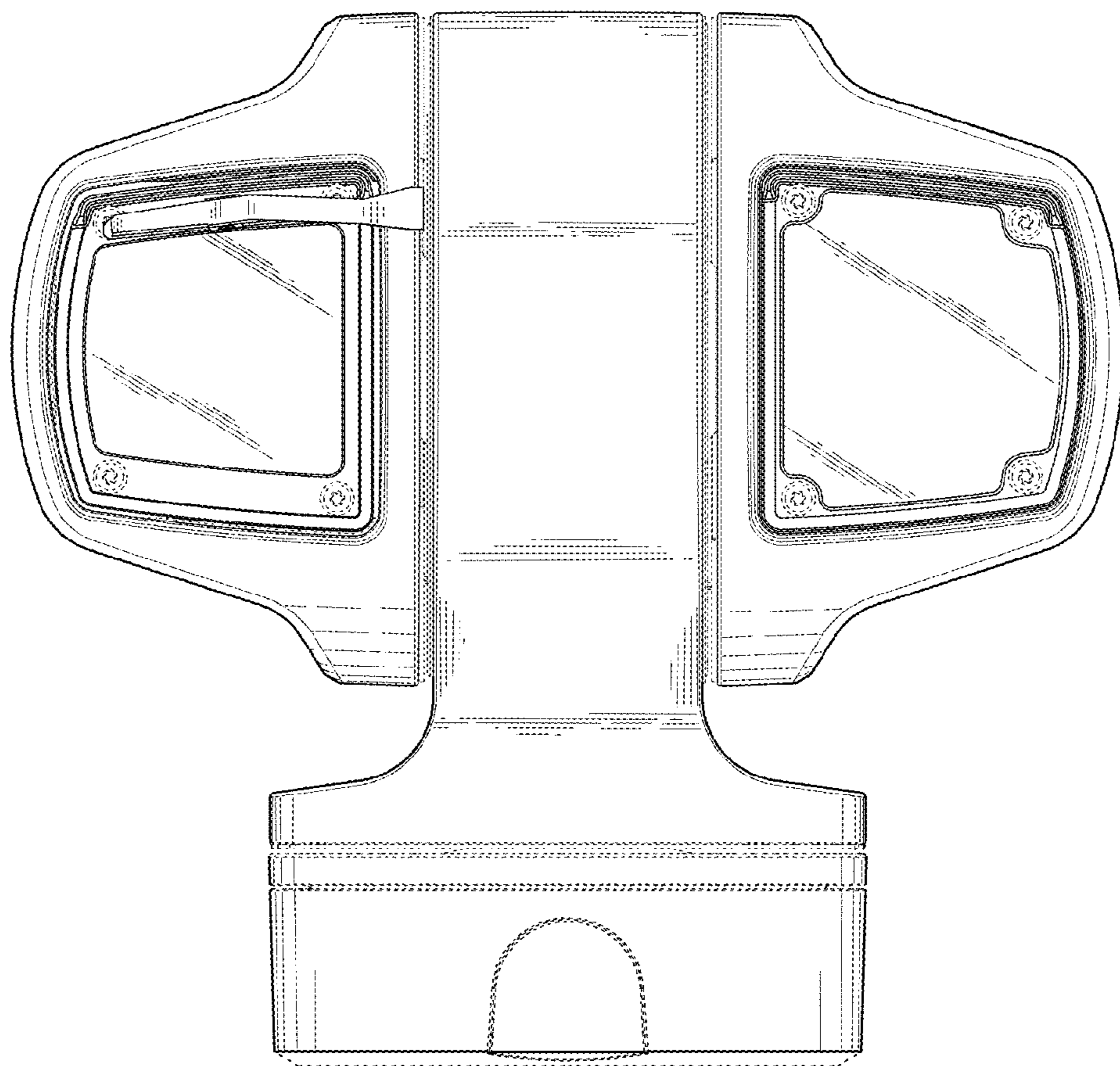
D716,863 S	*	11/2014	Zutell .....	D16/203
D716,985 S	*	11/2014	Jones .....	D16/208
D815,176 S	*	4/2018	Ahman .....	D16/203
D816,261 S	*	4/2018	Jones, III .....	D26/123
D818,514 S	*	5/2018	Ahman .....	D16/203
D838,760 S	*	1/2019	Ahman .....	D16/203
D857,777 S	*	8/2019	Rosenkvist .....	D16/203
D858,605 S	*	9/2019	Tang .....	D16/203
D886,886 S	*	6/2020	Veberg .....	D16/203
D886,887 S	*	6/2020	Veberg .....	D16/203

\* cited by examiner

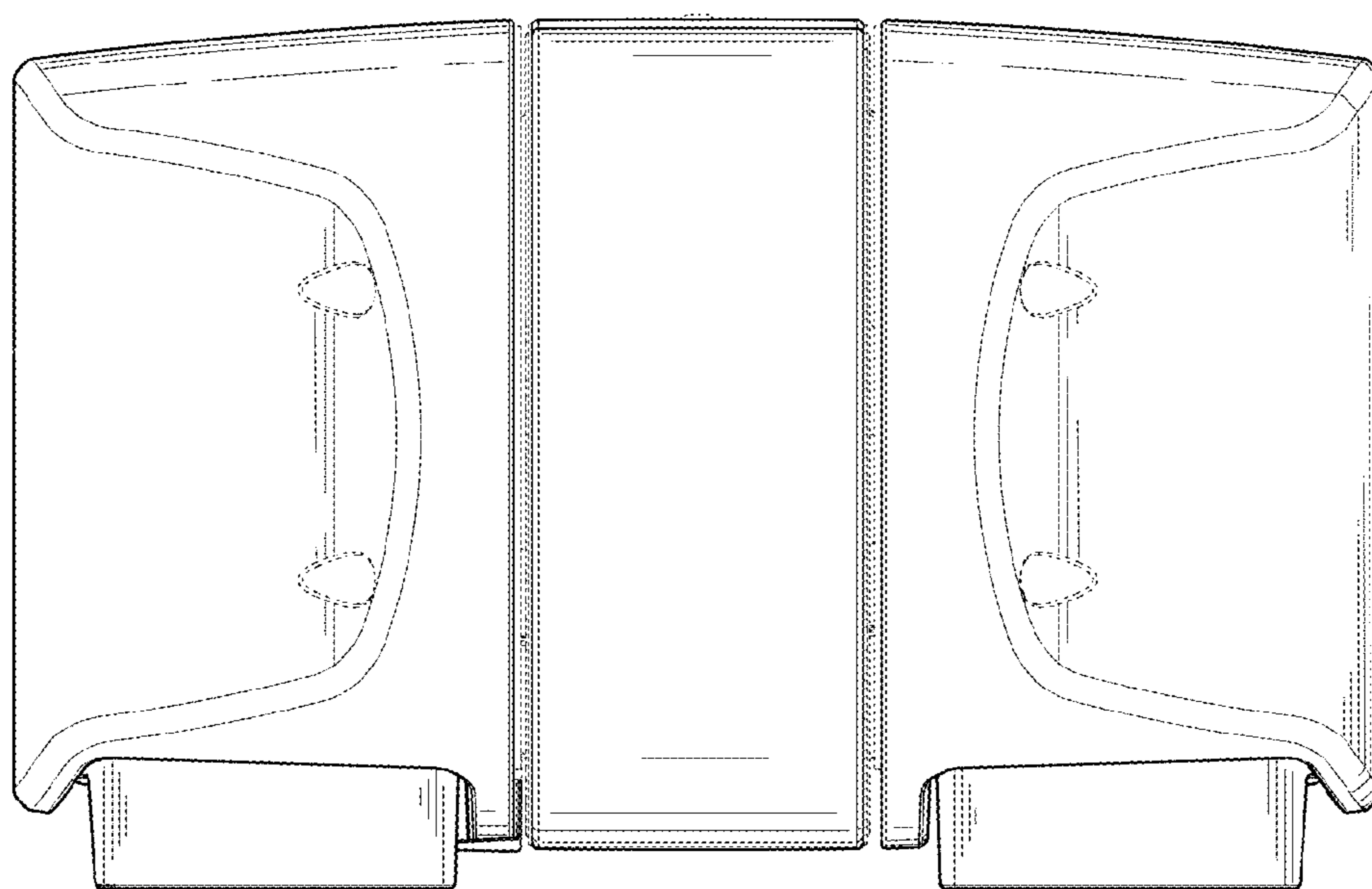


*Fig. 1*

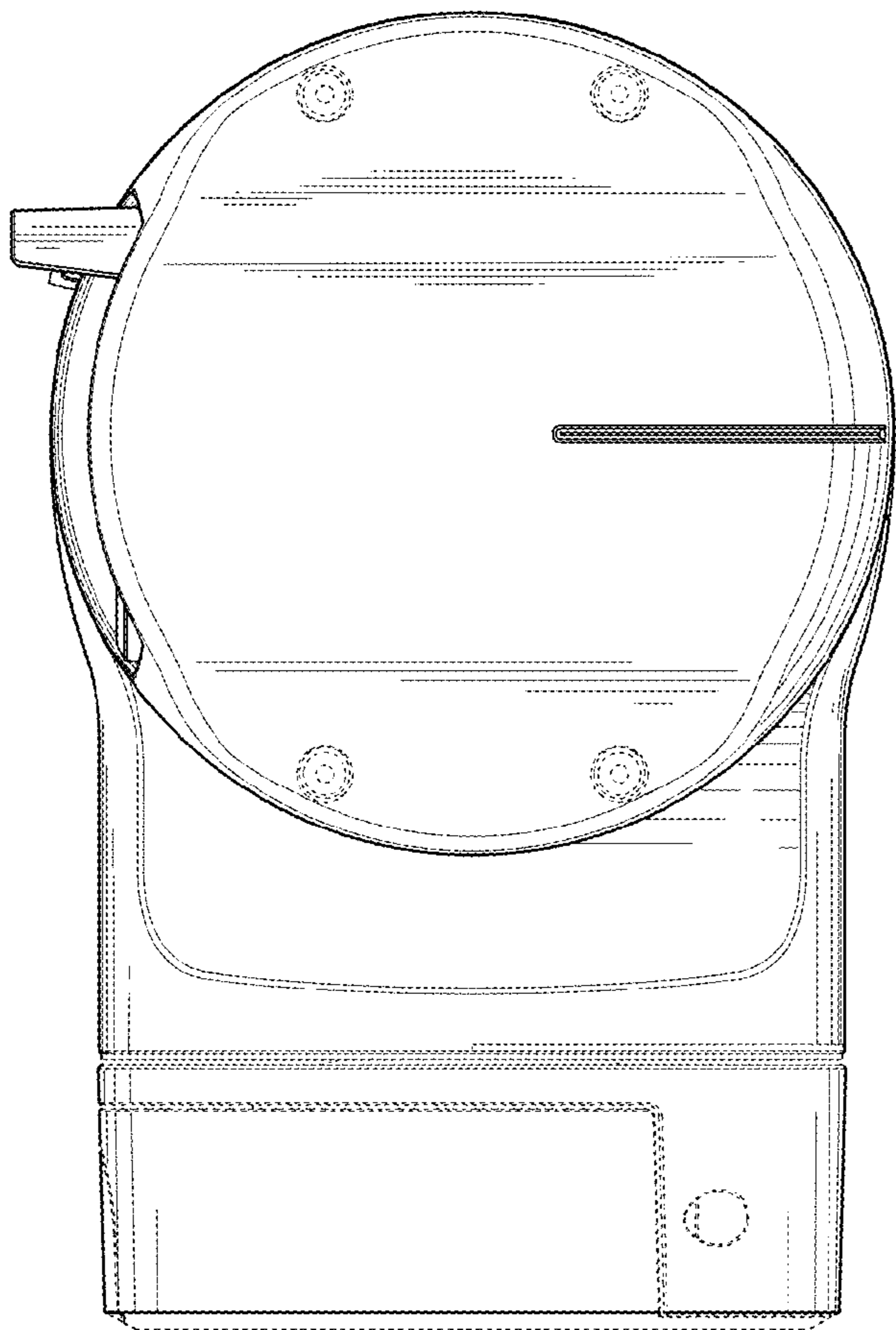




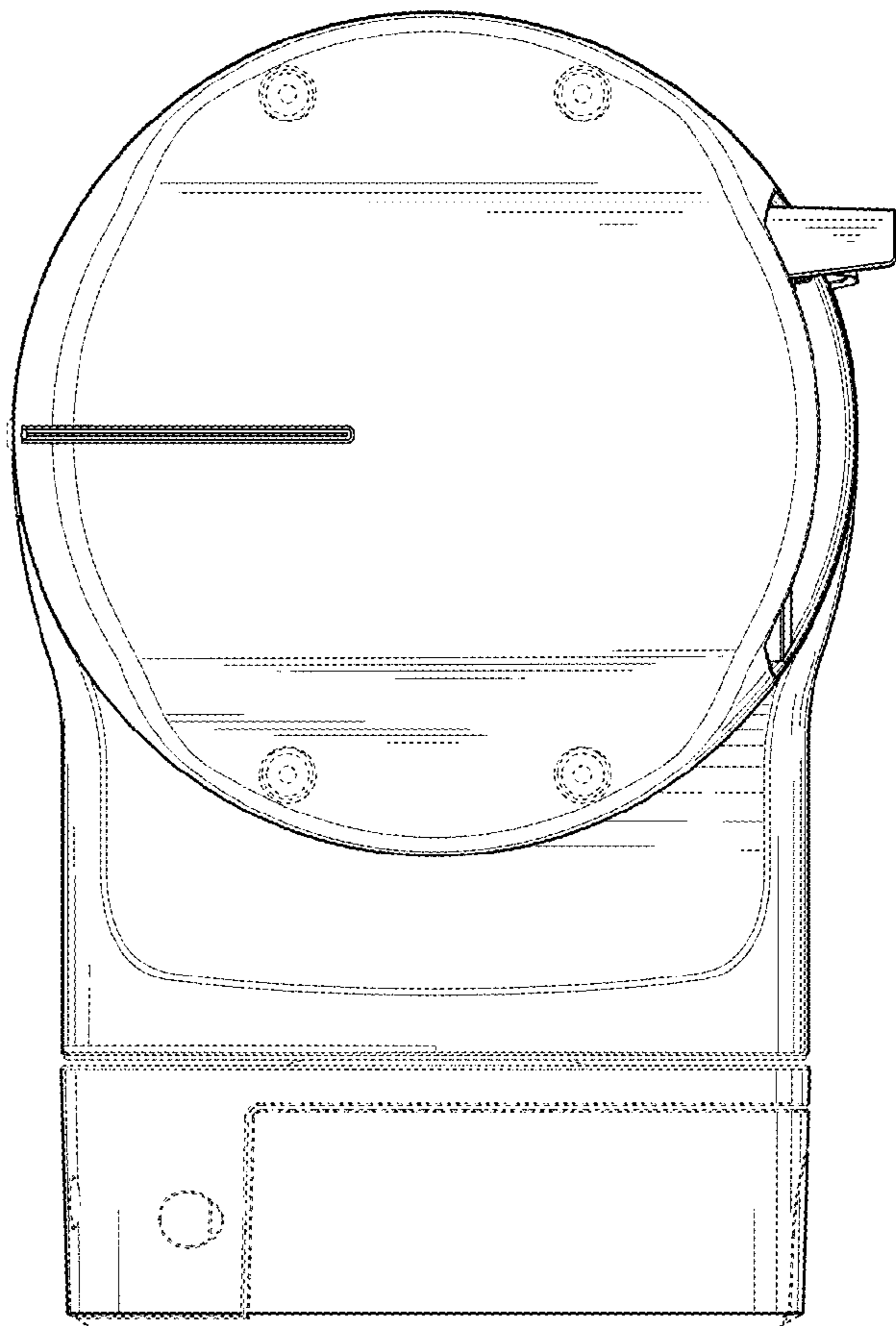
*Fig. 2*



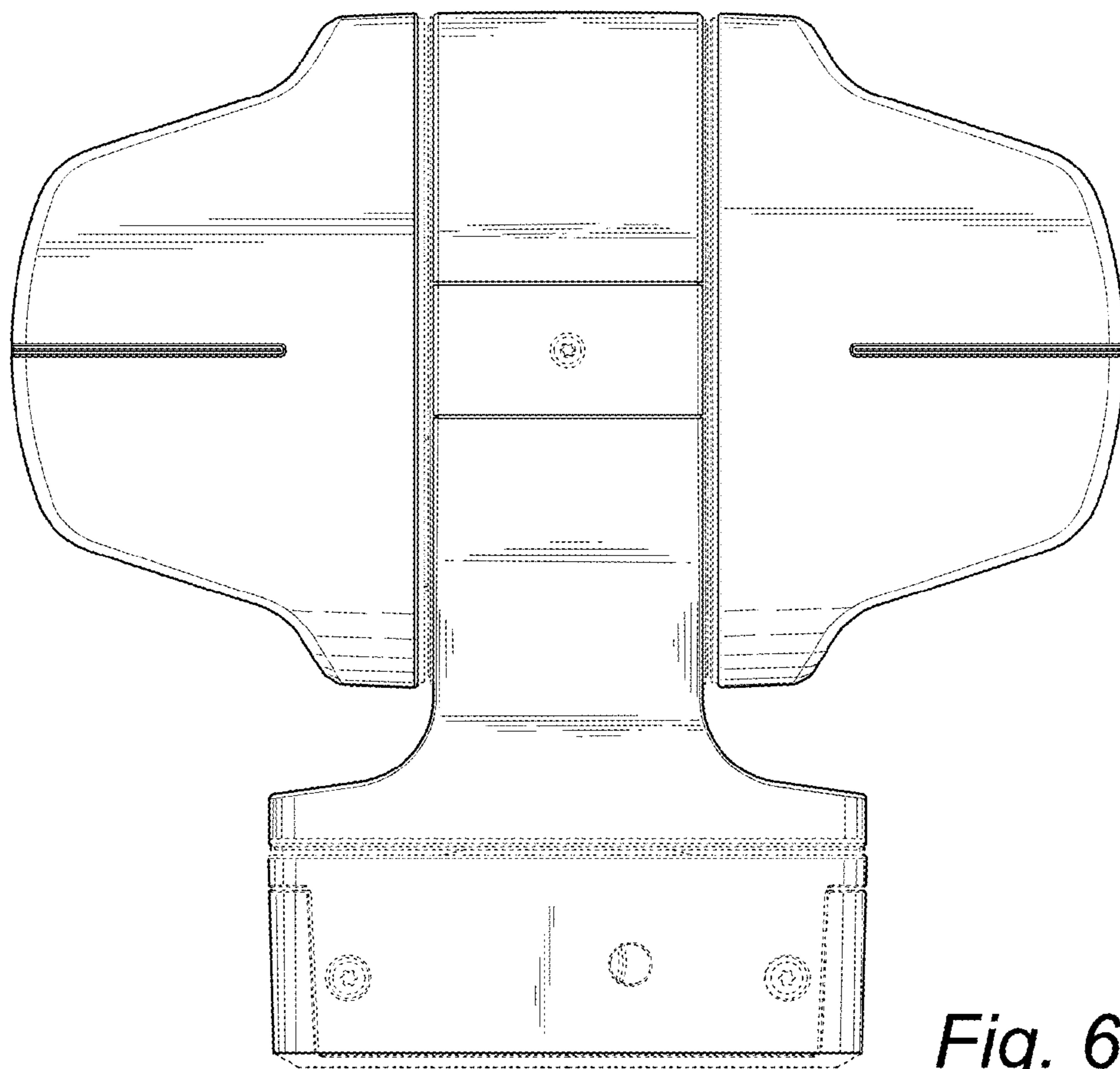
*Fig. 3*



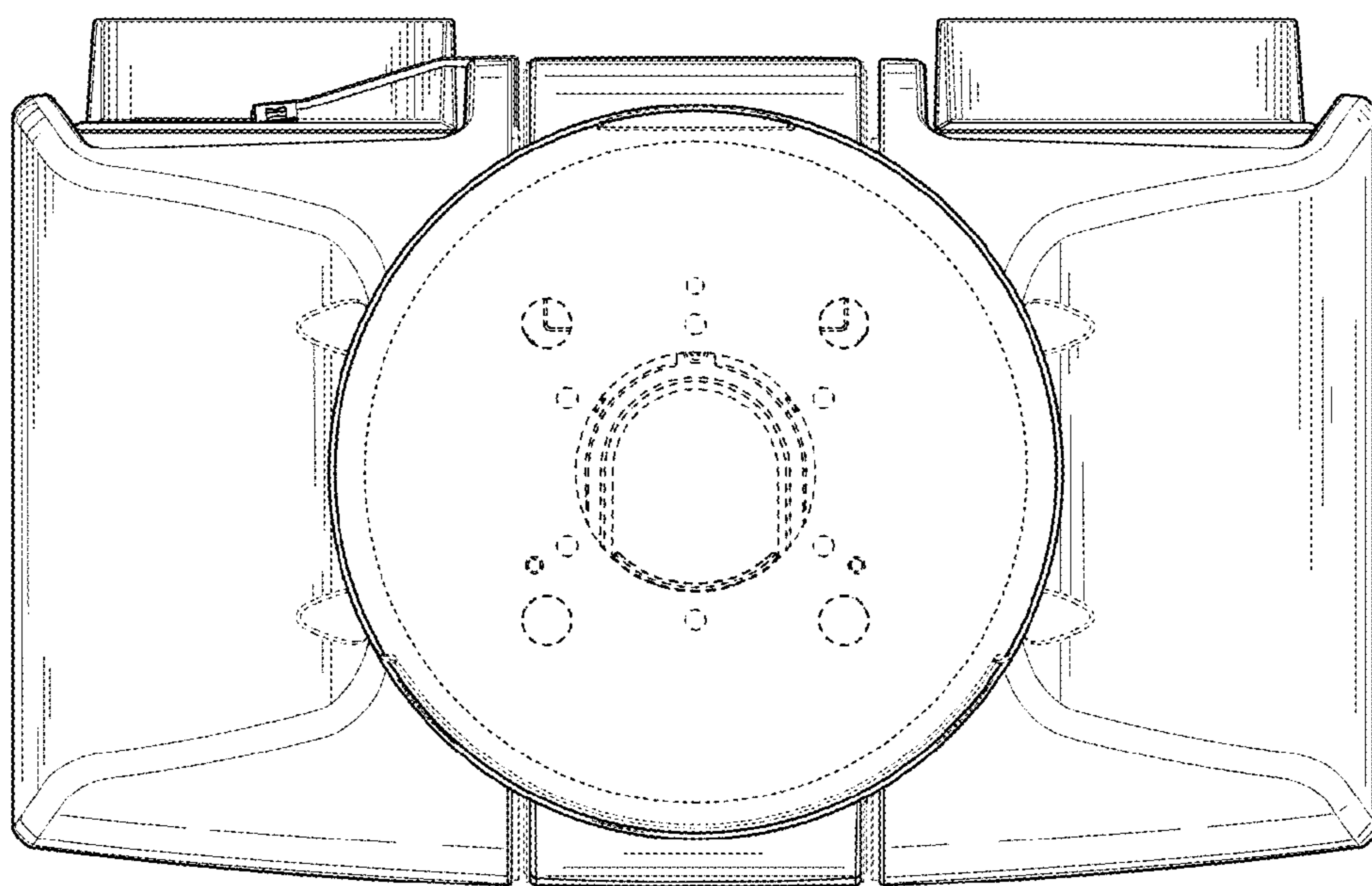
*Fig. 4*



*Fig. 5*



*Fig. 6*



*Fig. 7*

UNITED STATES PATENT AND TRADEMARK OFFICE  
**CERTIFICATE OF CORRECTION**

PATENT NO. : D897,396 S  
APPLICATION NO. : 29/658859  
DATED : September 29, 2020  
INVENTOR(S) : Veberg et al.

Page 1 of 1

It is certified that error appears in the above-identified patent and that said Letters Patent is hereby corrected as shown below:

On the Title Page

At Inventors (72) delete "Christian Jacobsson" and insert therefor --Christian Jakobsson--.

Signed and Sealed this  
Thirteenth Day of July, 2021



Drew Hirshfeld  
*Performing the Functions and Duties of the  
Under Secretary of Commerce for Intellectual Property and  
Director of the United States Patent and Trademark Office*