



US00D897395S

(12) **United States Design Patent**  
**Arimoto et al.**

(10) **Patent No.:** **US D897,395 S**

(45) **Date of Patent:** **\*\* Sep. 29, 2020**

(54) **VIDEO CAMERA**

(71) Applicant: **JVC KENWOOD Corporation**,  
Yokohama-shi, Kanagawa (JP)

(72) Inventors: **Takuya Arimoto**, Yokohama (JP);  
**Shuji Tanifuji**, Yokohama (JP)

(73) Assignee: **JVC KENWOOD Corporation**,  
Yokohama-shi (JP)

(\*\*) Term: **15 Years**

(21) Appl. No.: **29/675,032**

(22) Filed: **Dec. 28, 2018**

(30) **Foreign Application Priority Data**

Aug. 24, 2018 (JP) ..... 2018-018423

(51) **LOC (12) Cl.** ..... **16-01**

(52) **U.S. Cl.**  
USPC ..... **D16/202**

(58) **Field of Classification Search**

USPC ..... D16/200–220, 131, 132, 237, 242, 239,  
D16/250, 235, 130, 134, 136, 238;  
D14/417, 138 C, 240, 248, 203.1, 203.3,  
D14/203.7, 218, 207, 440, 402, 454, 407,  
D14/408, 480.3, 480.1, 483; D12/187;  
D10/31, 104.1, 50, 65, 74, 70, 118.2, 66;  
D26/118, 113

CPC ..... G02B 7/02; G02B 7/021; G02B 7/04;  
G02B 7/14; G02B 7/003; G02B 7/008;  
G02B 13/06; G03B 17/00; G03B 17/02;  
G03B 17/56; G03B 17/04; G03B 17/14;  
G03B 17/08; G03B 15/03; G03B 15/06;  
H04N 1/00981; H04N 5/2251; H04N  
5/2252; H04N 5/2253; H04N 5/2254;  
H04N 5/23238; H04N 7/00; H04N  
13/239; H04N 2101/00; F16M 13/00

See application file for complete search history.

(56) **References Cited**

U.S. PATENT DOCUMENTS

D438,552	S *	3/2001	Sumita	.....	D16/202
6,434,325	B1 *	8/2002	Noda	.....	G11B 31/006 348/E5.025
D574,027	S *	7/2008	Miyazaki	.....	D16/202
D589,547	S *	3/2009	Yamada	.....	D16/202
D598,941	S *	8/2009	Tanifuji	.....	D16/202
7,595,837	B2 *	9/2009	Kobayashi	.....	H04N 5/2252 348/373
7,753,599	B2 *	7/2010	Segawa	.....	F16M 11/041 248/177.1
D676,888	S *	2/2013	Hayashi	.....	D16/203
D693,871	S *	11/2013	Tanifuji	.....	D16/202
D719,203	S *	12/2014	Horiki	.....	D16/202
D741,929	S *	10/2015	Tanifuji	.....	D16/202
D752,125	S *	3/2016	Arimoto	.....	D16/202
D878,450	S *	3/2020	Sakai	.....	D16/219

(Continued)

*Primary Examiner* — T Chase Nelson

*Assistant Examiner* — Mary Claire Ramirez

(74) *Attorney, Agent, or Firm* — Amin, Turocy & Watson,  
LLP

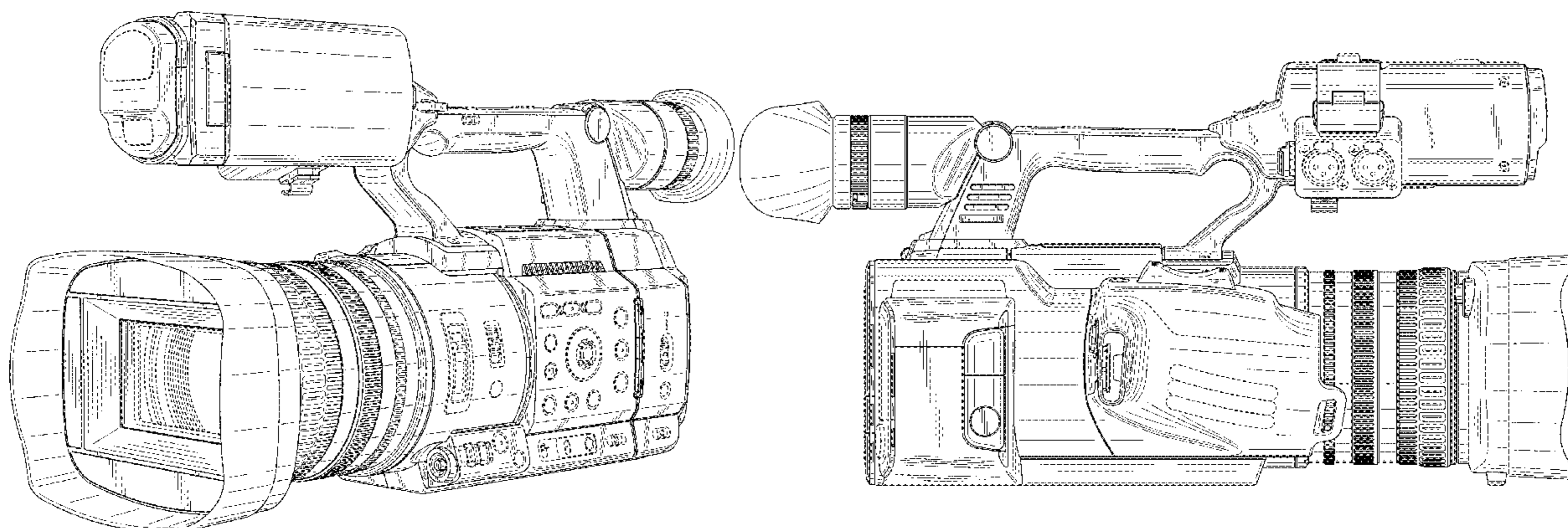
(57) **CLAIM**

The ornamental design for a video camera, as shown and described.

**DESCRIPTION**

FIG. 1 is a front perspective view of a video camera showing my new design;  
FIG. 2 is a front elevational view thereof;  
FIG. 3 is a rear elevational view thereof;  
FIG. 4 is a top plan view thereof;  
FIG. 5 is a bottom plan view thereof;  
FIG. 6 is a right-side elevational view thereof; and,  
FIG. 7 is a left-side elevational view thereof.  
The broken lines of the drawings represent portions of the video camera that are not part of the claimed design.

**1 Claim, 7 Drawing Sheets**



(56)

**References Cited**

U.S. PATENT DOCUMENTS

2006/0007551 A1\* 1/2006 Sakurai ..... G02B 27/0018  
359/611  
2007/0229694 A1\* 10/2007 Oshima ..... H04N 5/2251  
348/333.06  
2009/0059064 A1\* 3/2009 Terakado ..... H04N 5/772  
348/376  
2009/0059397 A1\* 3/2009 Igarashi ..... H04N 5/2251  
359/818

\* cited by examiner

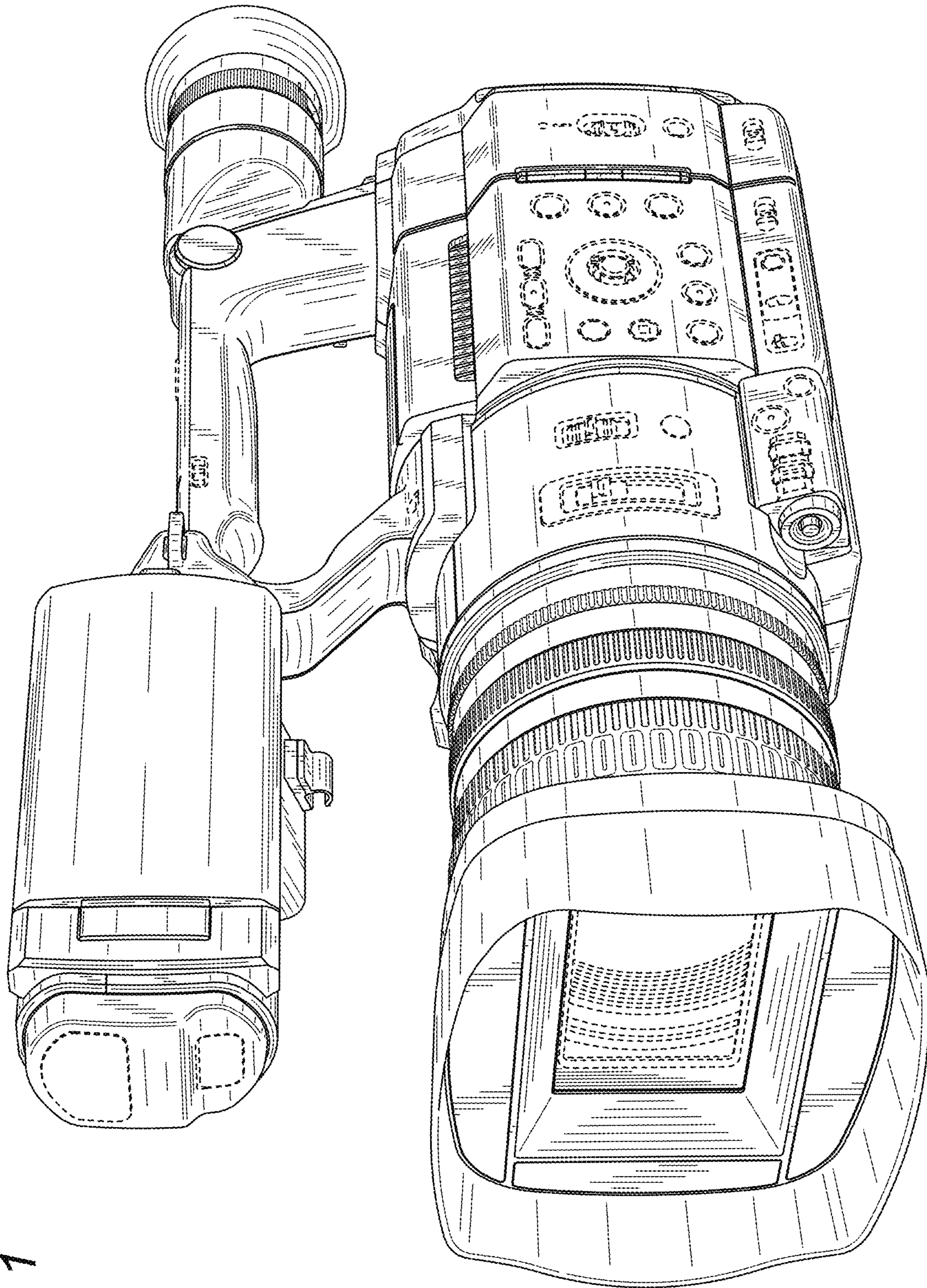
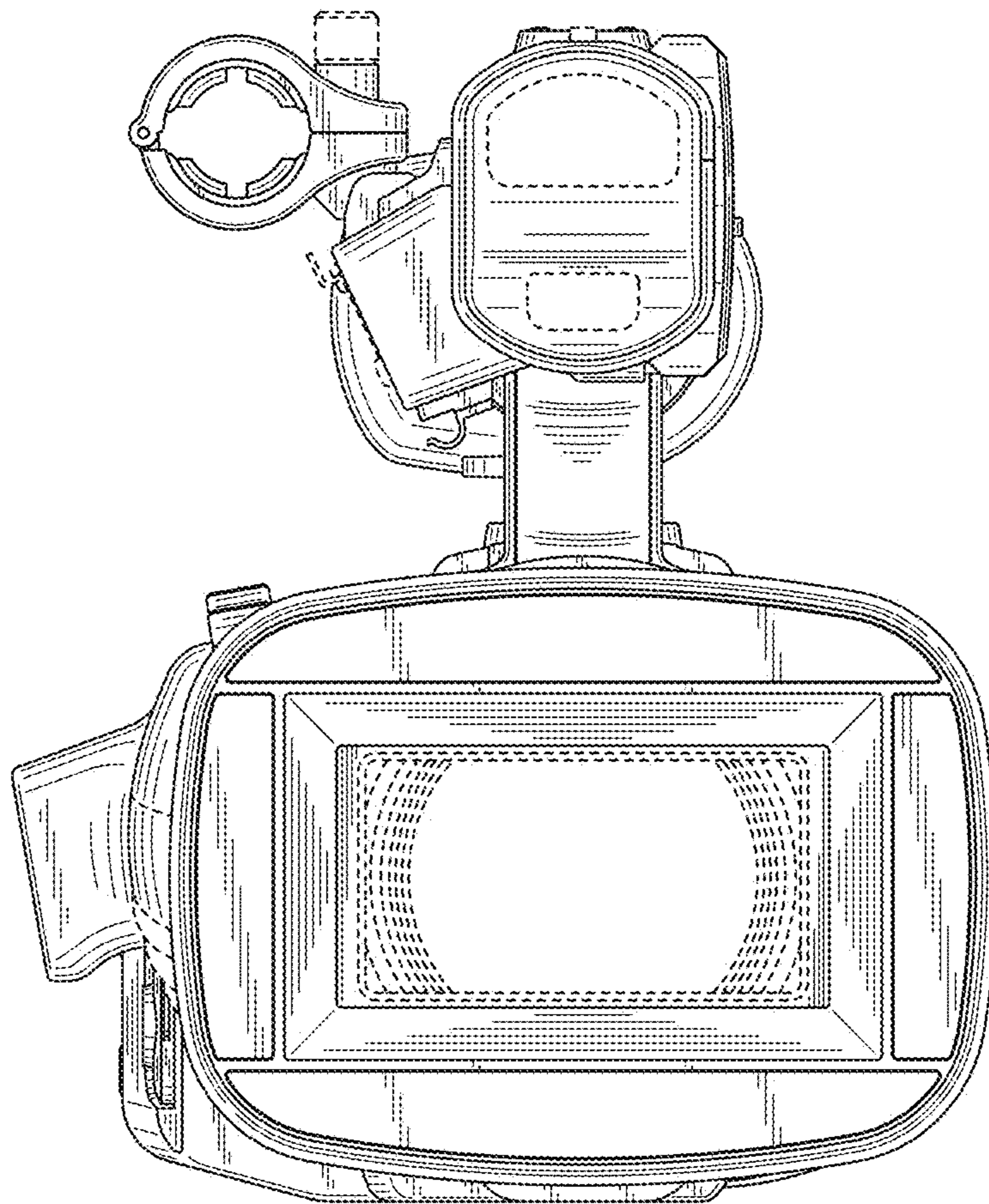


FIG. 1

*FIG. 2*



*FIG. 3*

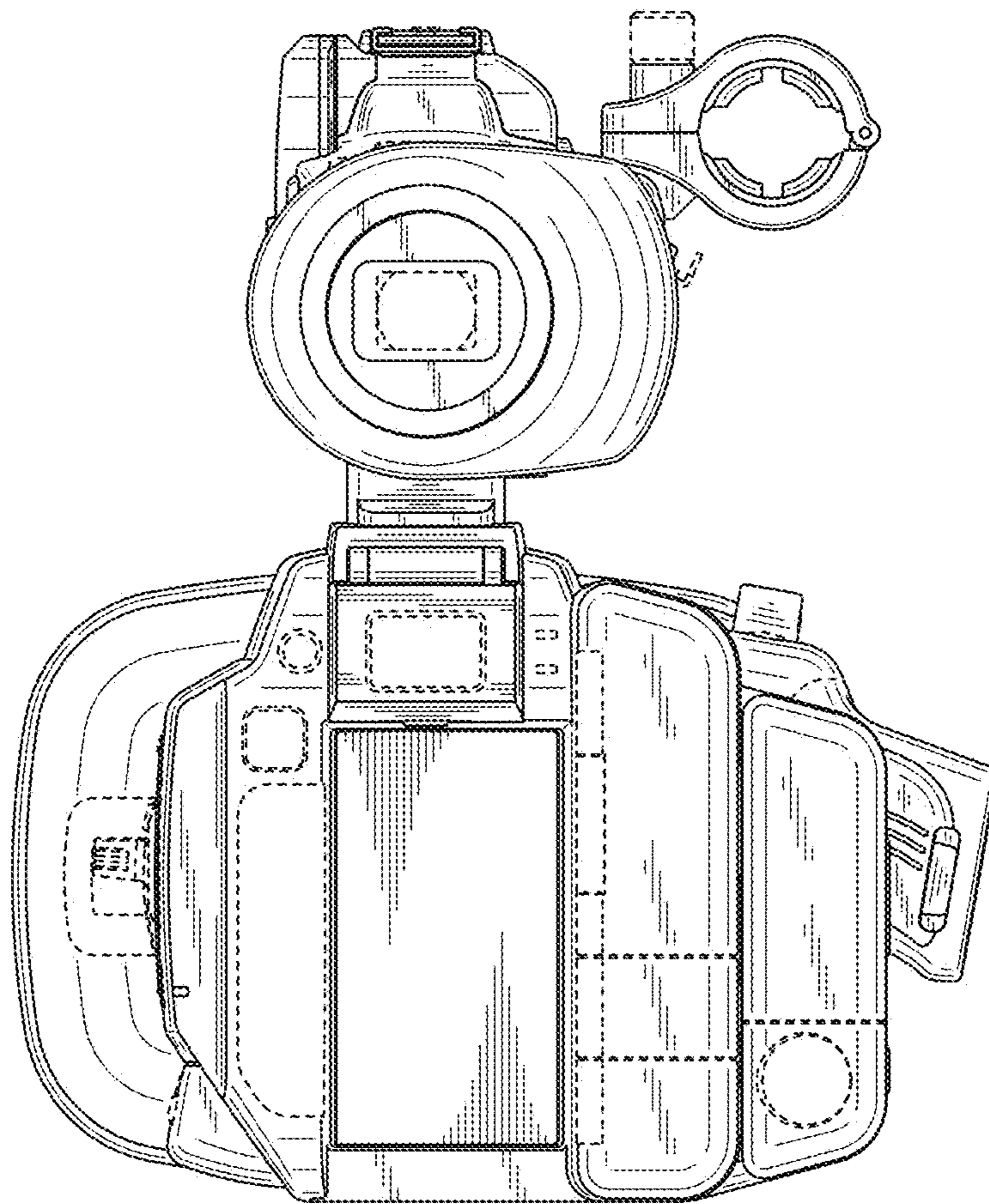


FIG. 4

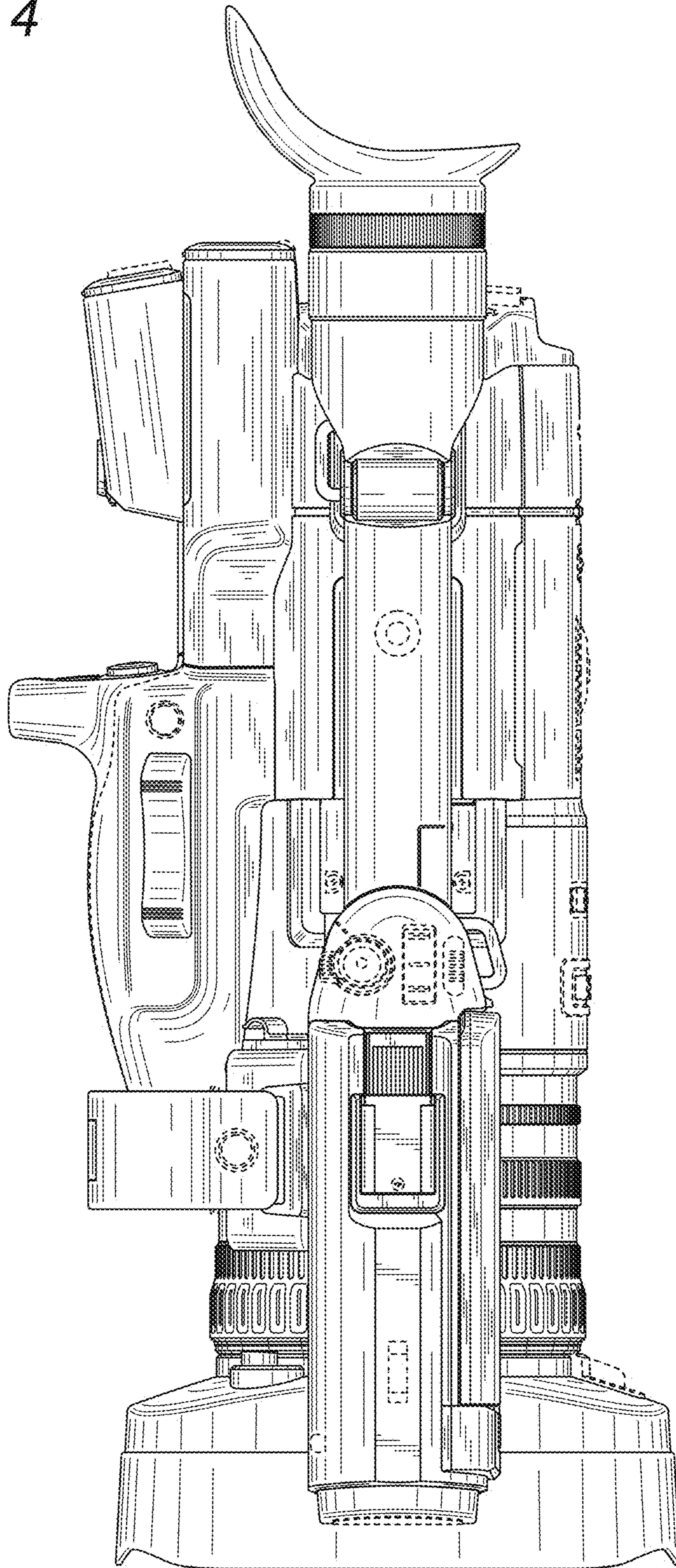


FIG. 5

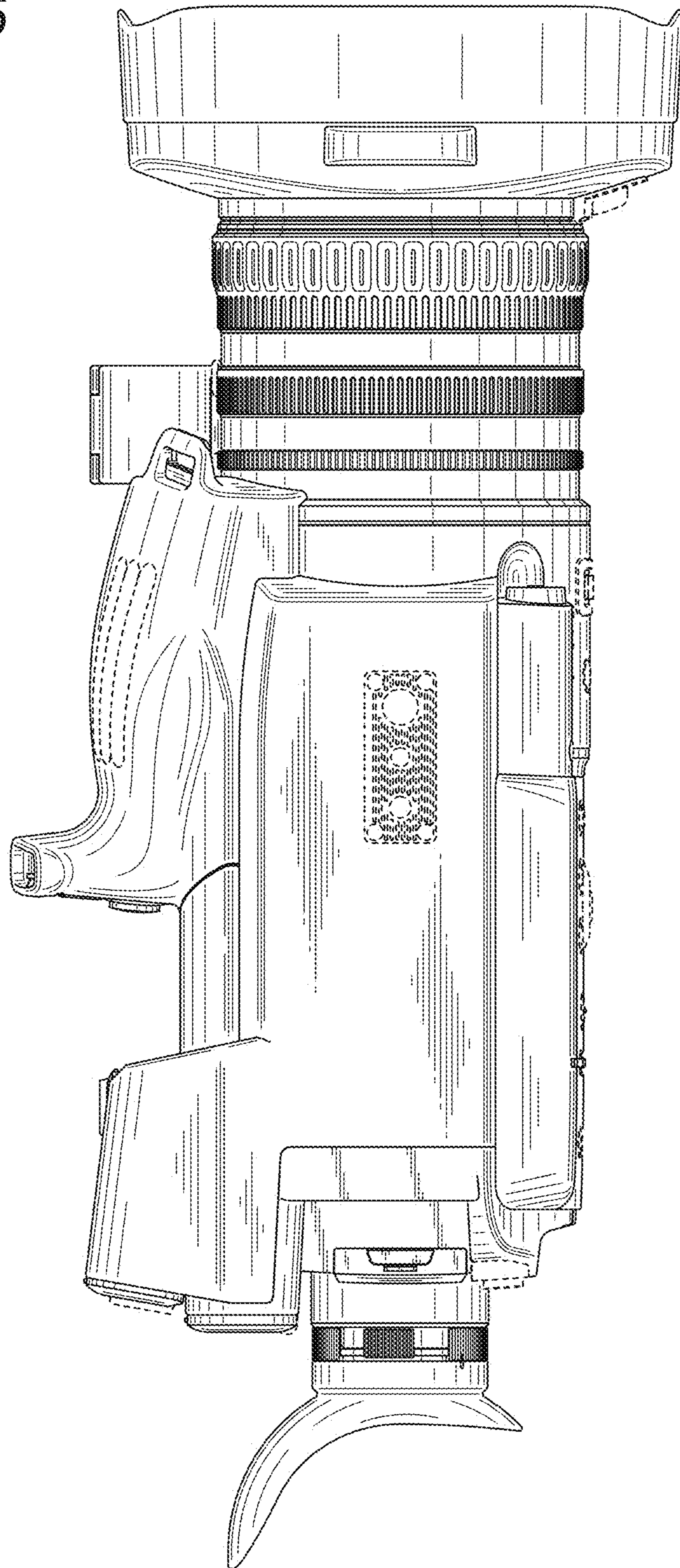
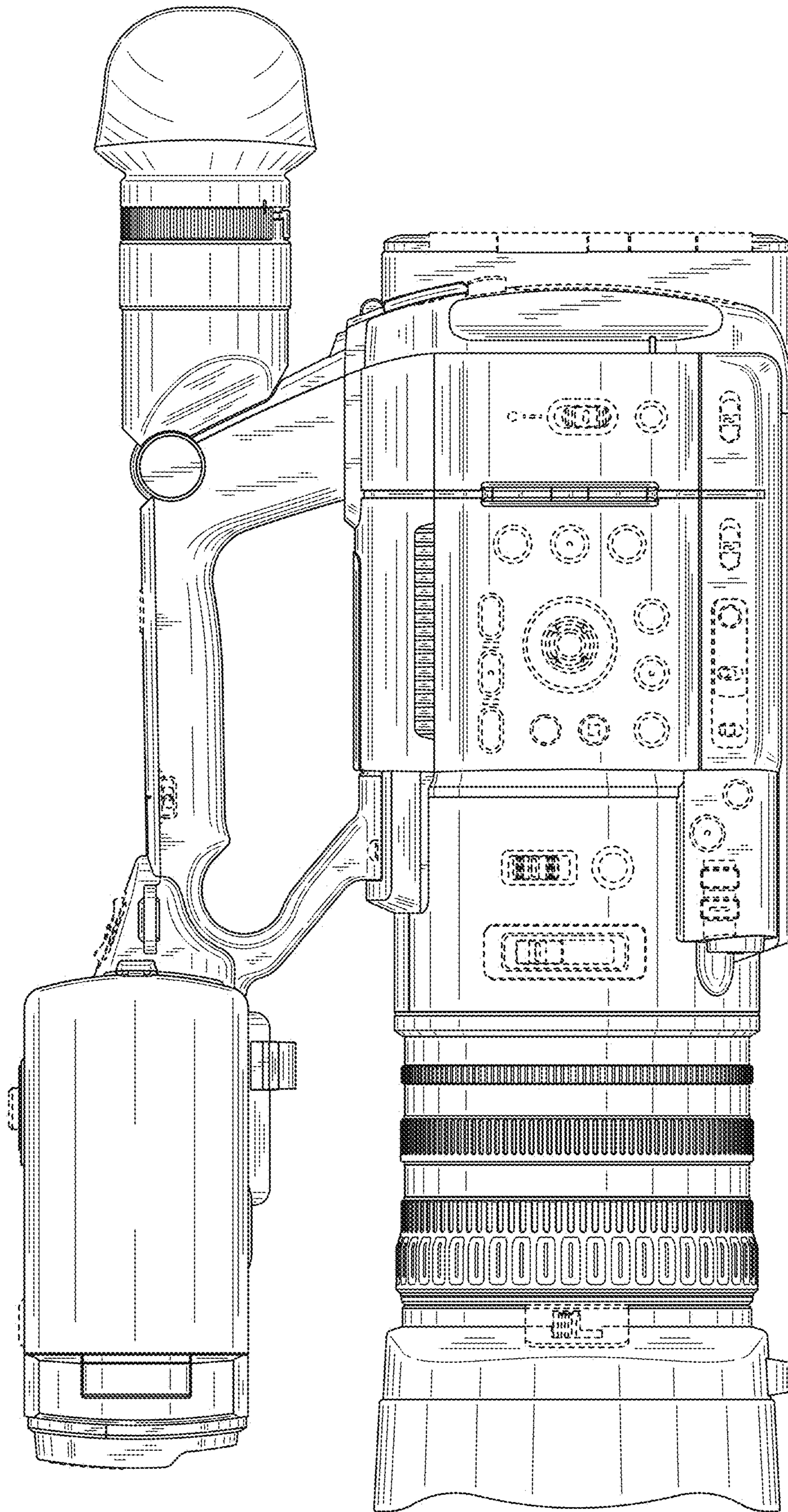


FIG. 6





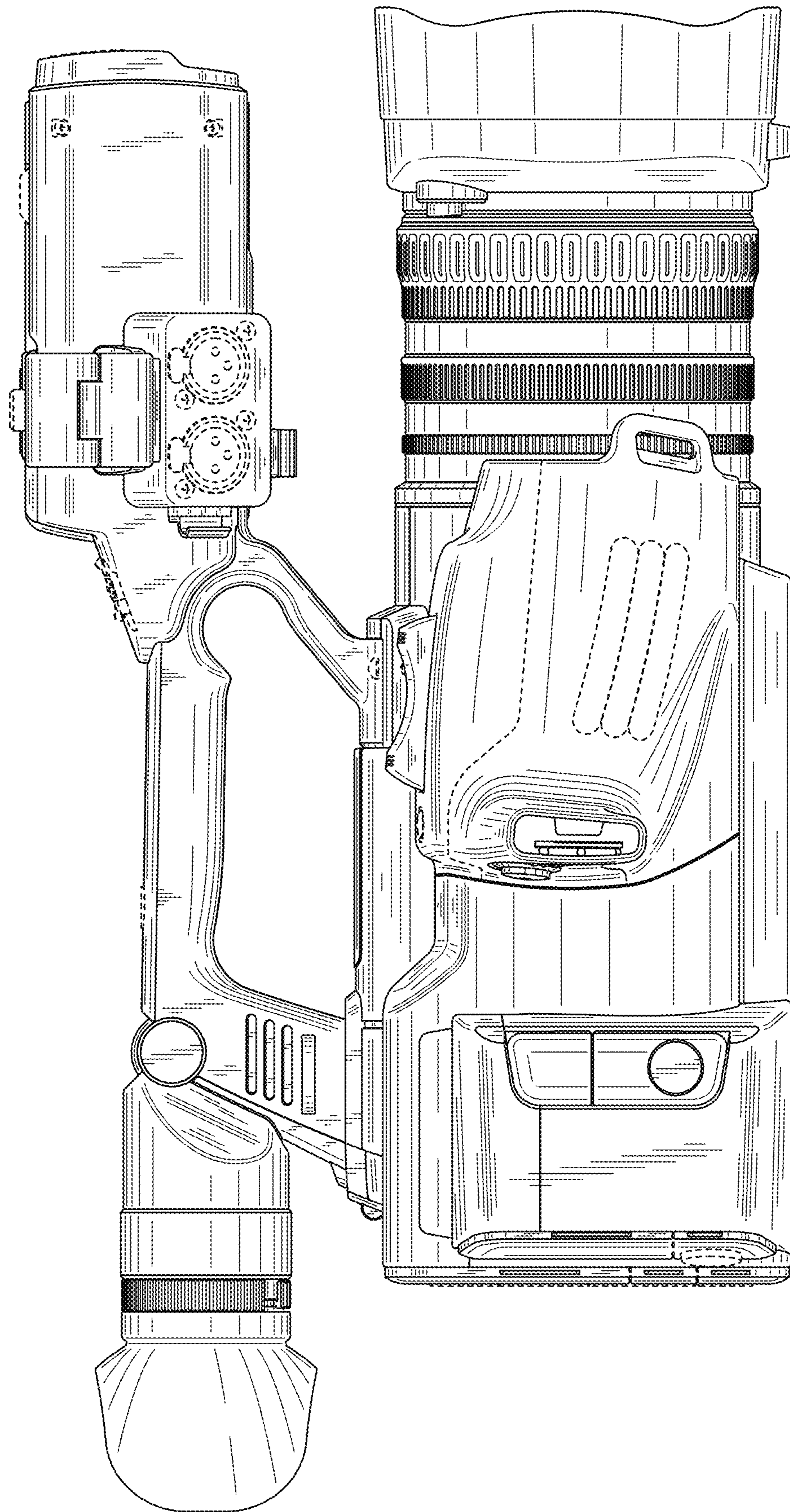


FIG. 7