



US00D897394S

(12) **United States Design Patent**
Lu

(10) **Patent No.:** **US D897,394 S**
(45) **Date of Patent:** **** Sep. 29, 2020**

(54) **FRONT HOUSING OF VEHICLE CAMERA**

(71) Applicant: **ACTRON TECHNOLOGY CORPORATION**, Taoyuan (TW)

(72) Inventor: **San-Ming Lu**, Taoyuan (TW)

(73) Assignee: **ACTRON TECHNOLOGY CORPORATION**, Taoyuan, Taiwan (CN)

(**) Term: **15 Years**

(21) Appl. No.: **29/704,896**

(22) Filed: **Sep. 9, 2019**

(30) **Foreign Application Priority Data**

Aug. 14, 2019 (TW) 108210707

(51) **LOC (12) Cl.** **16-01**

(52) **U.S. Cl.**
USPC **D16/200**; D16/208

(58) **Field of Classification Search**
USPC D16/200, 202, 203, 208, 207, 218, 219, D16/237, 241-245; D8/354, 355, 363; D12/114, 223; 396/419, 420, 428, 535, 396/540-541; 348/373-374
CPC F16M 11/14; F16M 11/041; F16M 11/04; F16M 11/2078; F16M 11/28; F16M 11/2021; F16M 11/12; F16M 11/10; F16M 2200/022; F16M 2200/027; F16M 13/00; F16M 13/02; F16M 13/022; G03B 17/561; G03B 17/566; G03B 17/563; G03B 2215/056; B60R 2011/0059; B60R 2011/008; B60R 11/02
See application file for complete search history.

(56) **References Cited**

U.S. PATENT DOCUMENTS

D441,386 S * 5/2001 Yamazaki D16/203
D489,388 S * 5/2004 Saito D16/200

D496,062 S * 9/2004 Yamakami D16/200
D496,382 S * 9/2004 Yamakami D16/200
D510,376 S * 10/2005 Yamakami D16/200
D511,182 S * 11/2005 Kato D16/200
D515,610 S * 2/2006 Yamakami D16/200
D564,562 S * 3/2008 Honma D16/200
8,467,675 B2 * 6/2013 Chen H04N 5/2257
396/535
D727,387 S * 4/2015 Hasegawa D16/203
D730,423 S * 5/2015 Vandebussche D16/218
2011/0216195 A1 * 9/2011 Tanaka H04N 5/2254
348/148
2013/0321696 A1 * 12/2013 Bae H04N 5/2252
348/372

* cited by examiner

Primary Examiner — Ramzi S Almatrahi

(74) *Attorney, Agent, or Firm* — Li & Cai Intellectual Property (USA) Office

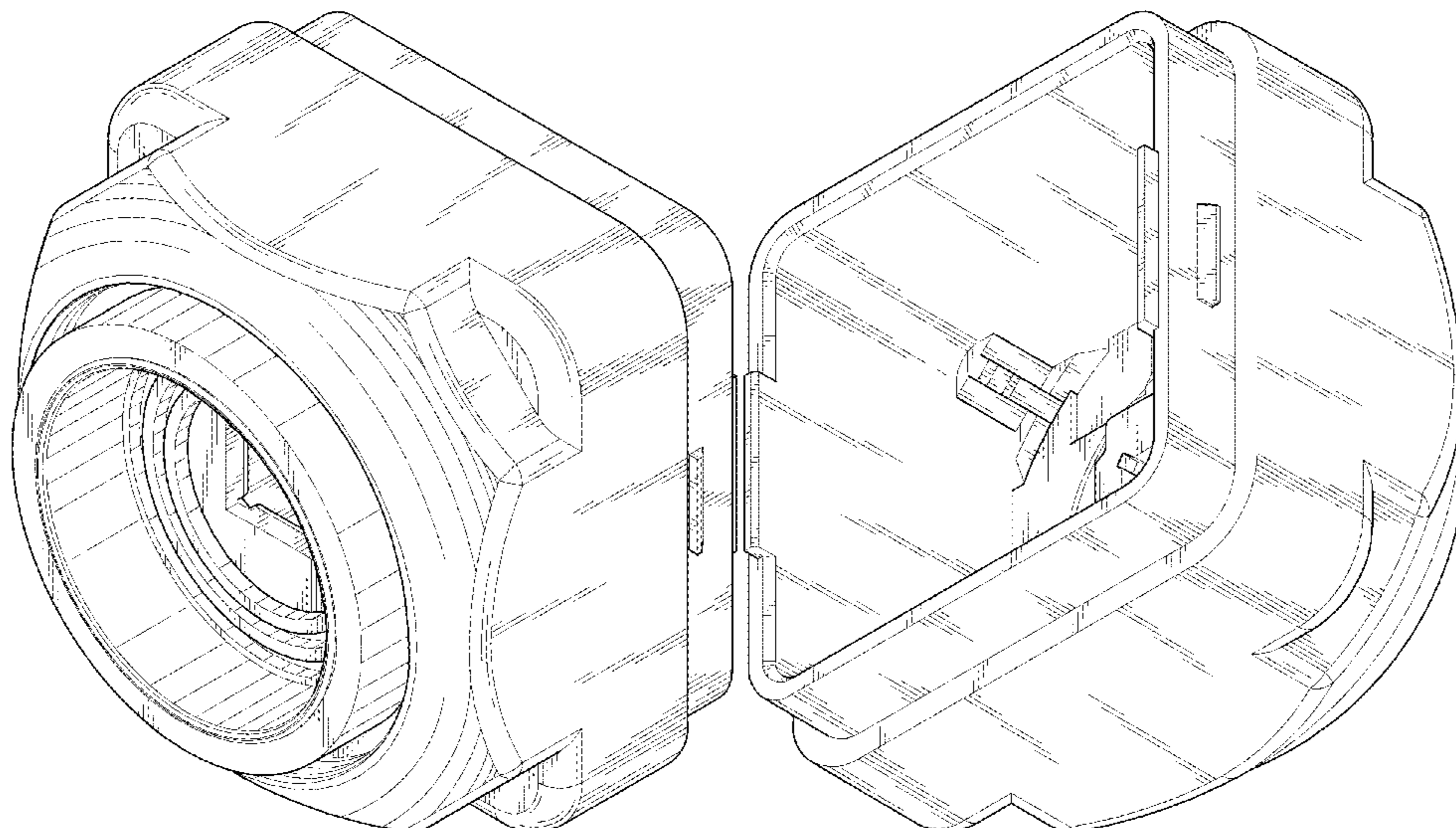
(57) **CLAIM**

The ornamental design for a front housing of vehicle camera, as shown and described.

DESCRIPTION

FIG. 1 is a front, right and top perspective view of a front housing of vehicle camera showing my new design;
FIG. 2 is a front elevation view thereof;
FIG. 3 is a rear elevation view thereof;
FIG. 4 is a left side elevation view thereof;
FIG. 5 is a right side elevation view thereof;
FIG. 6 is a top plan view thereof;
FIG. 7 is a bottom plan view thereof;
FIG. 8 is a rear, left and bottom perspective view thereof;
FIG. 9 is a perspective cross-sectional view thereof along line 9-9 in FIG. 5; and,
FIG. 10 is a perspective cross-sectional view thereof along line 10-10 in FIG. 2.

1 Claim, 10 Drawing Sheets



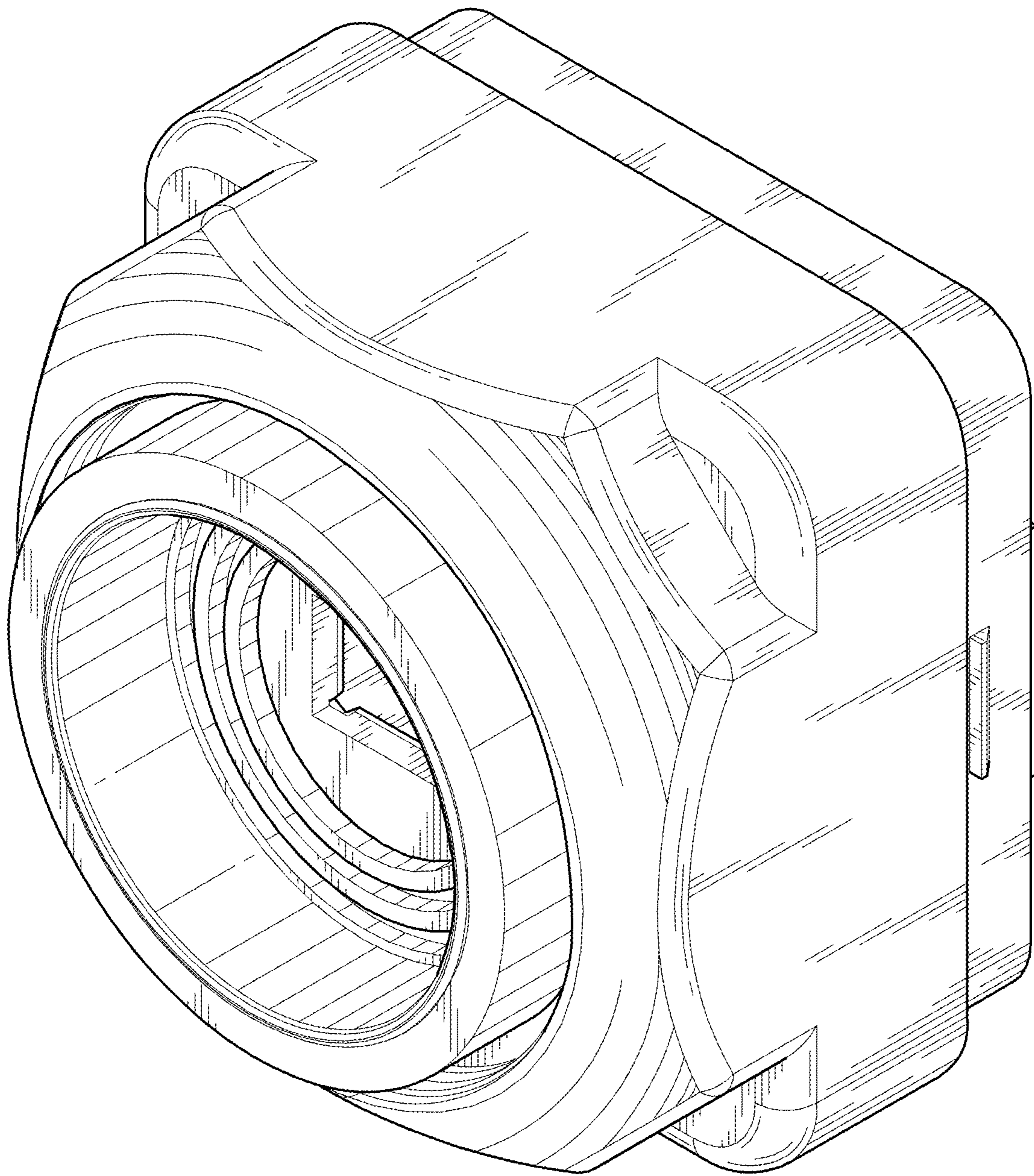


FIG. 1

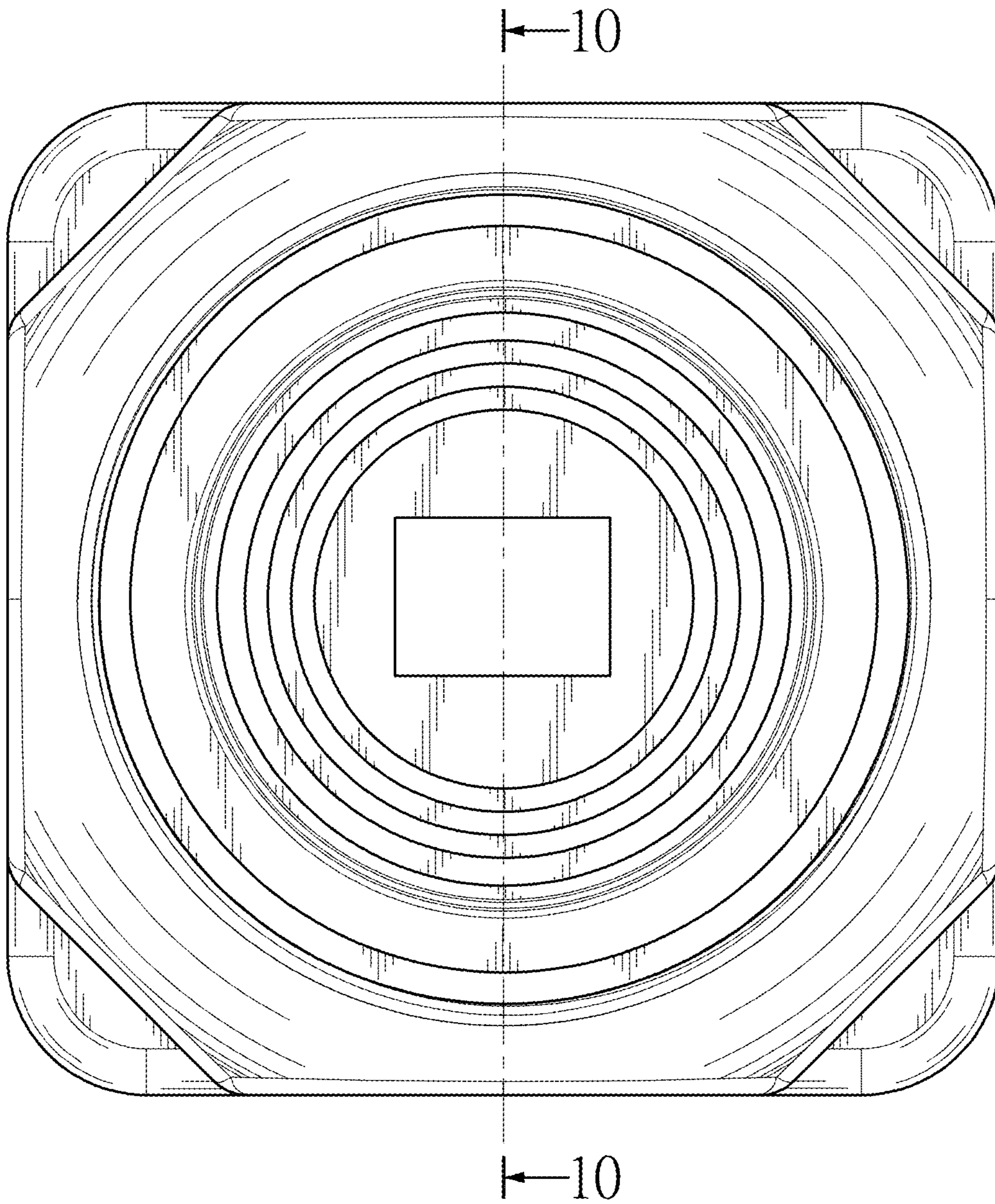


FIG. 2

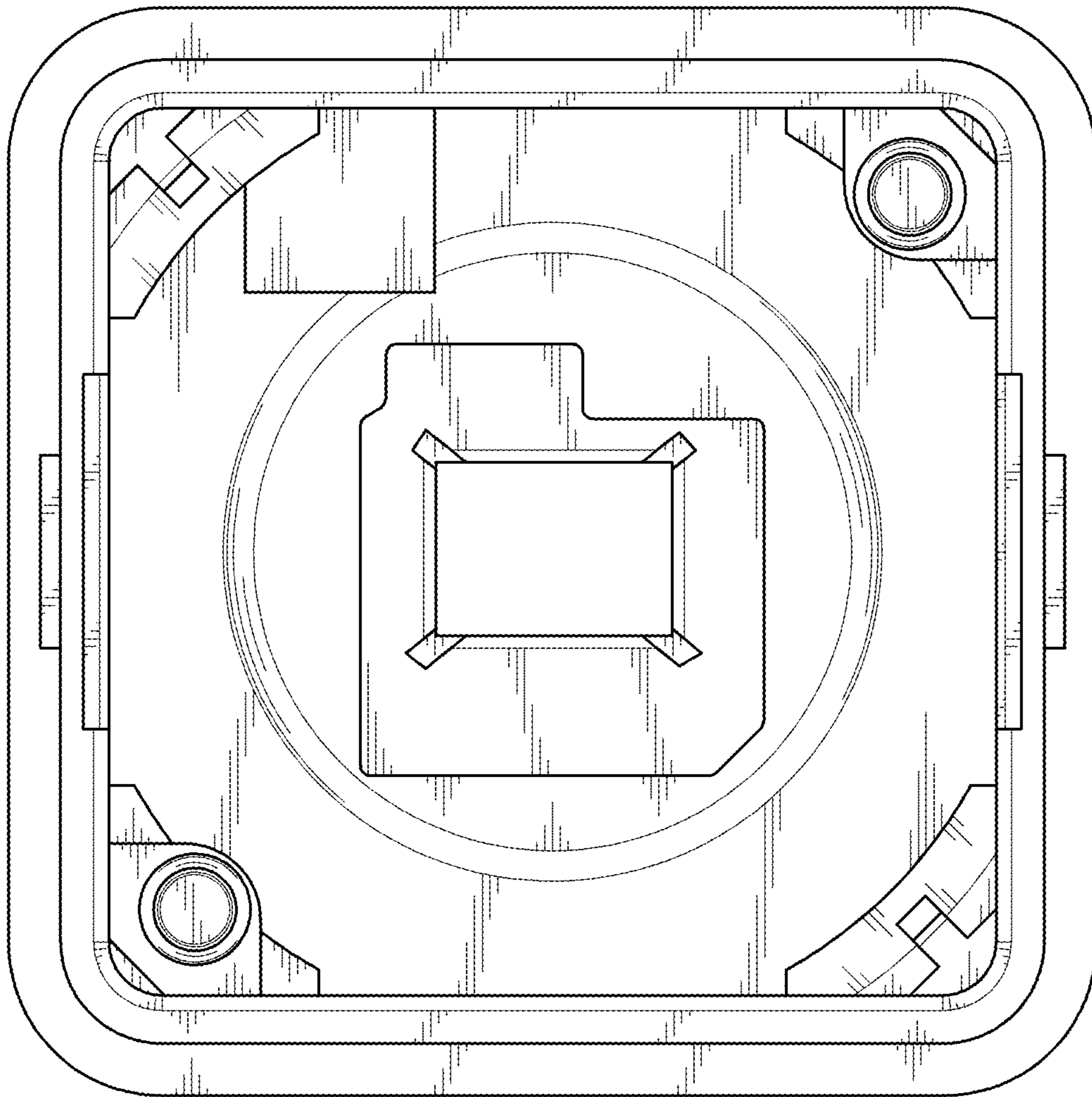


FIG. 3

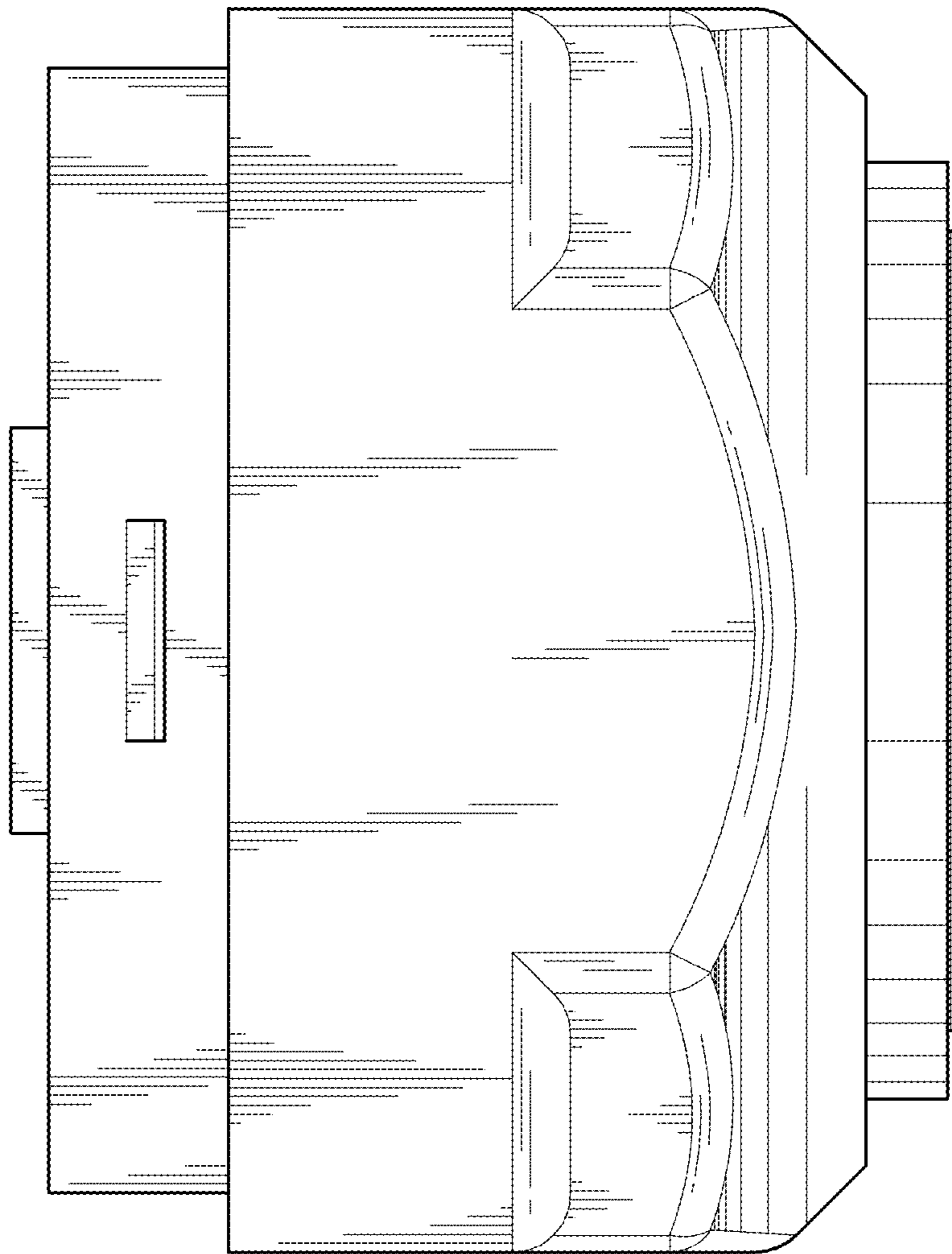


FIG. 4

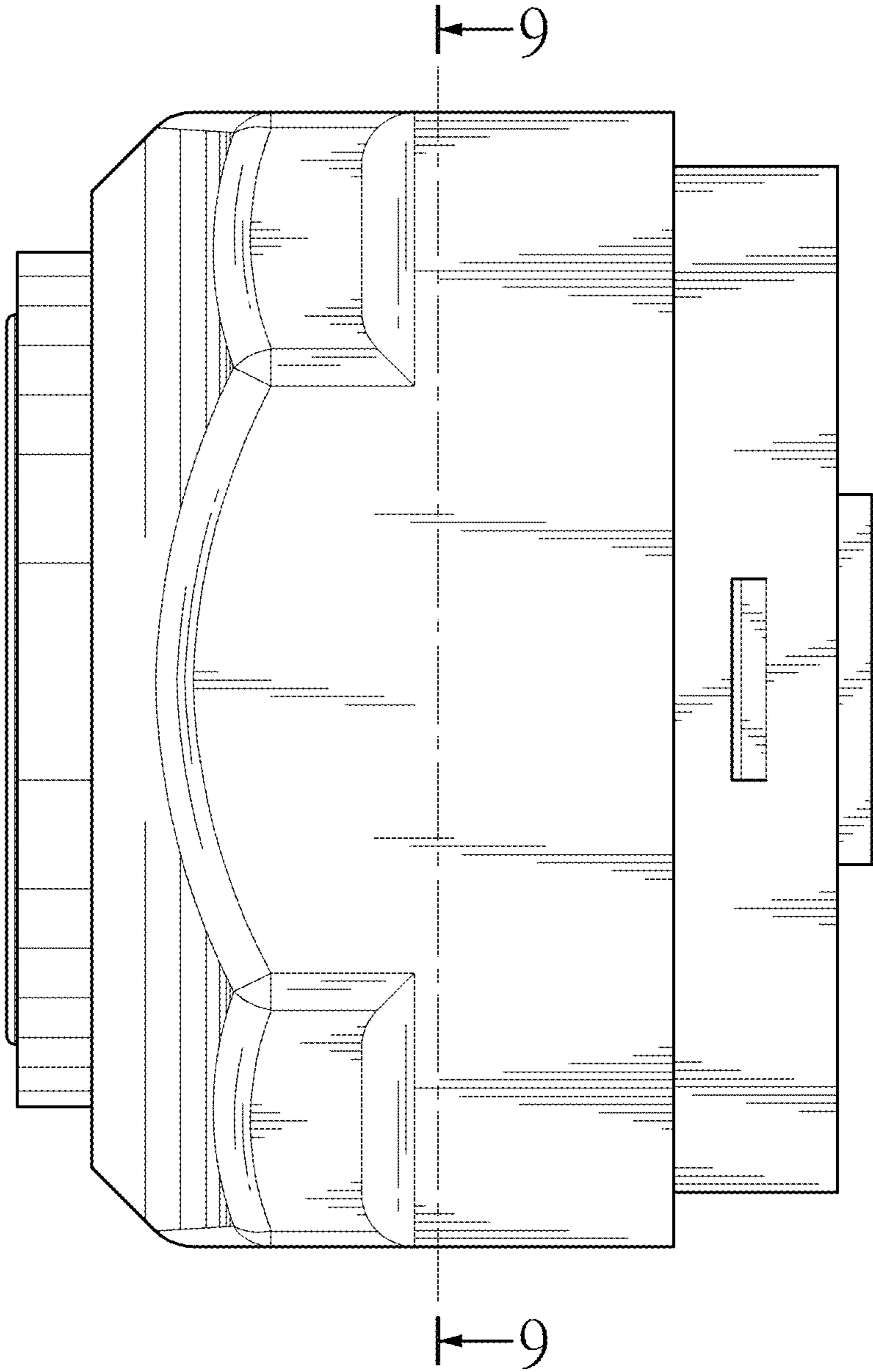


FIG. 5

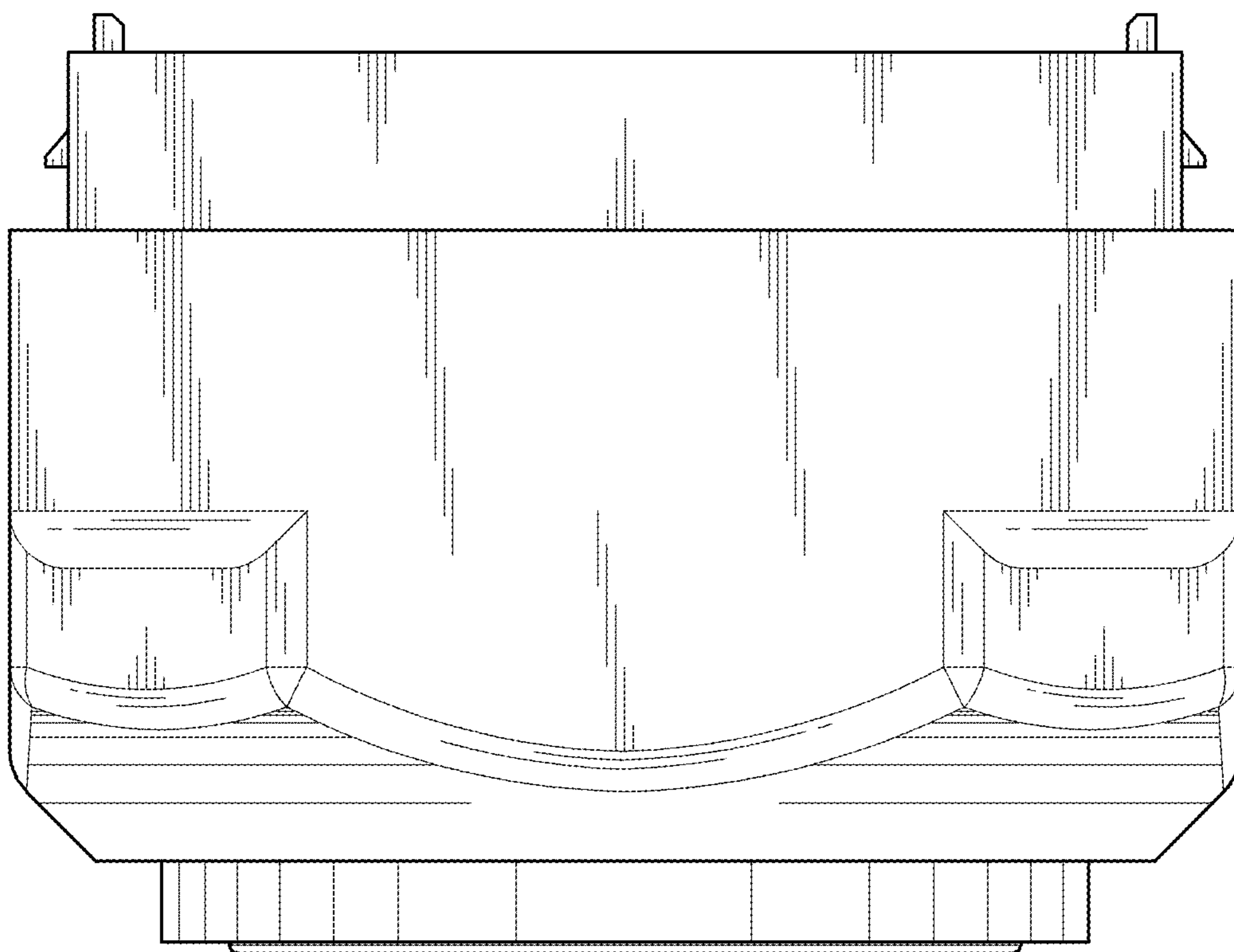


FIG. 6

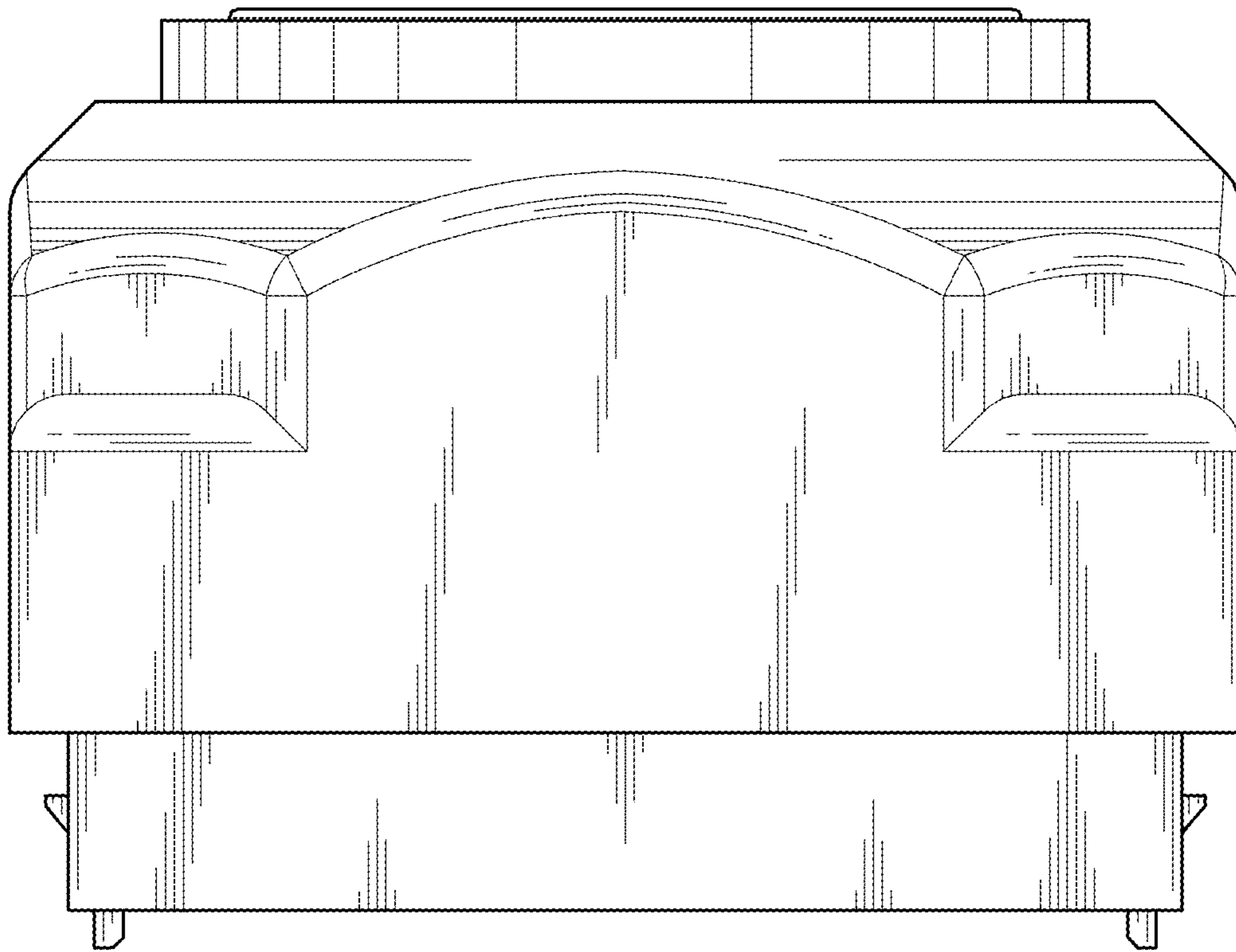


FIG. 7

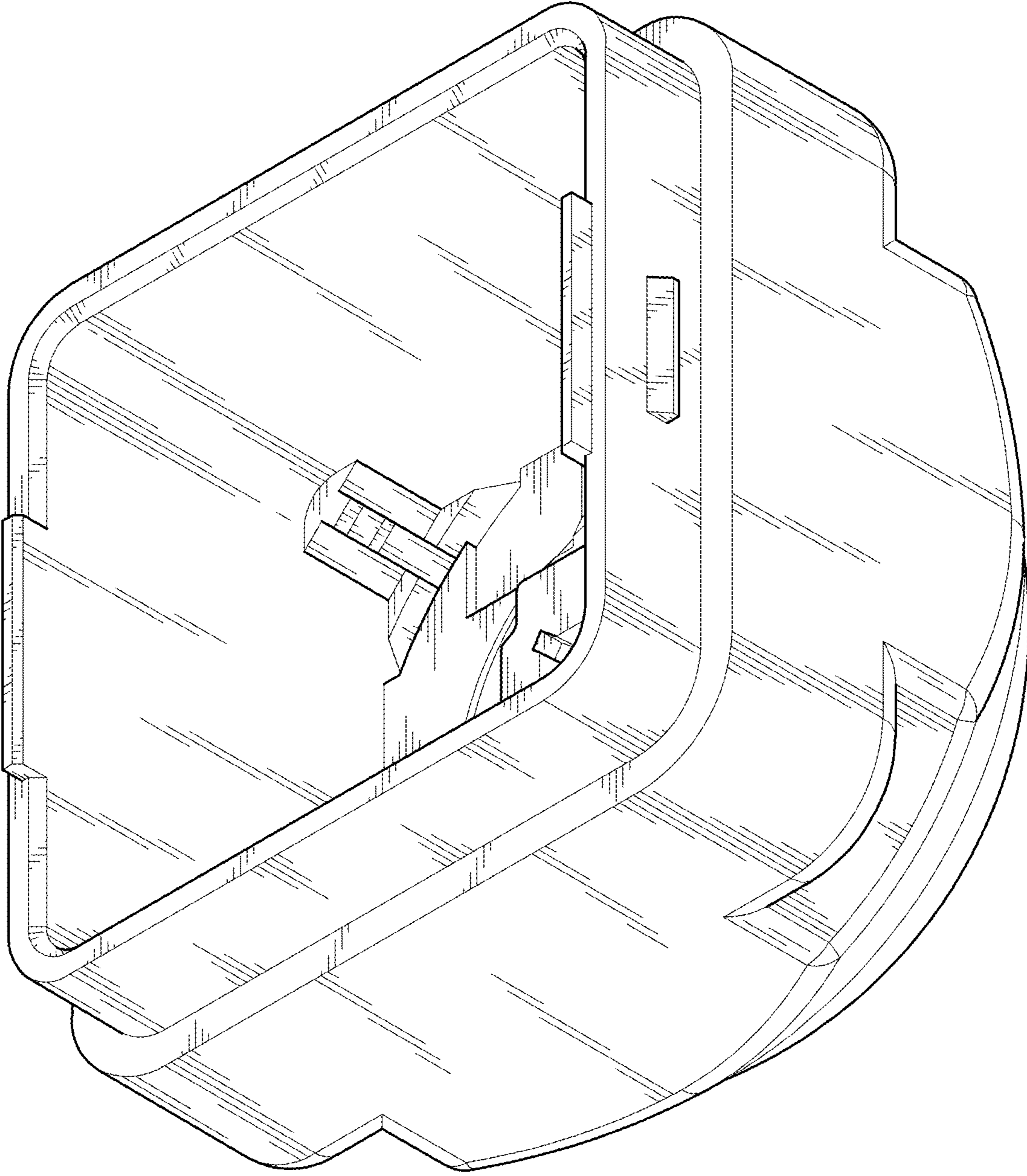


FIG. 8

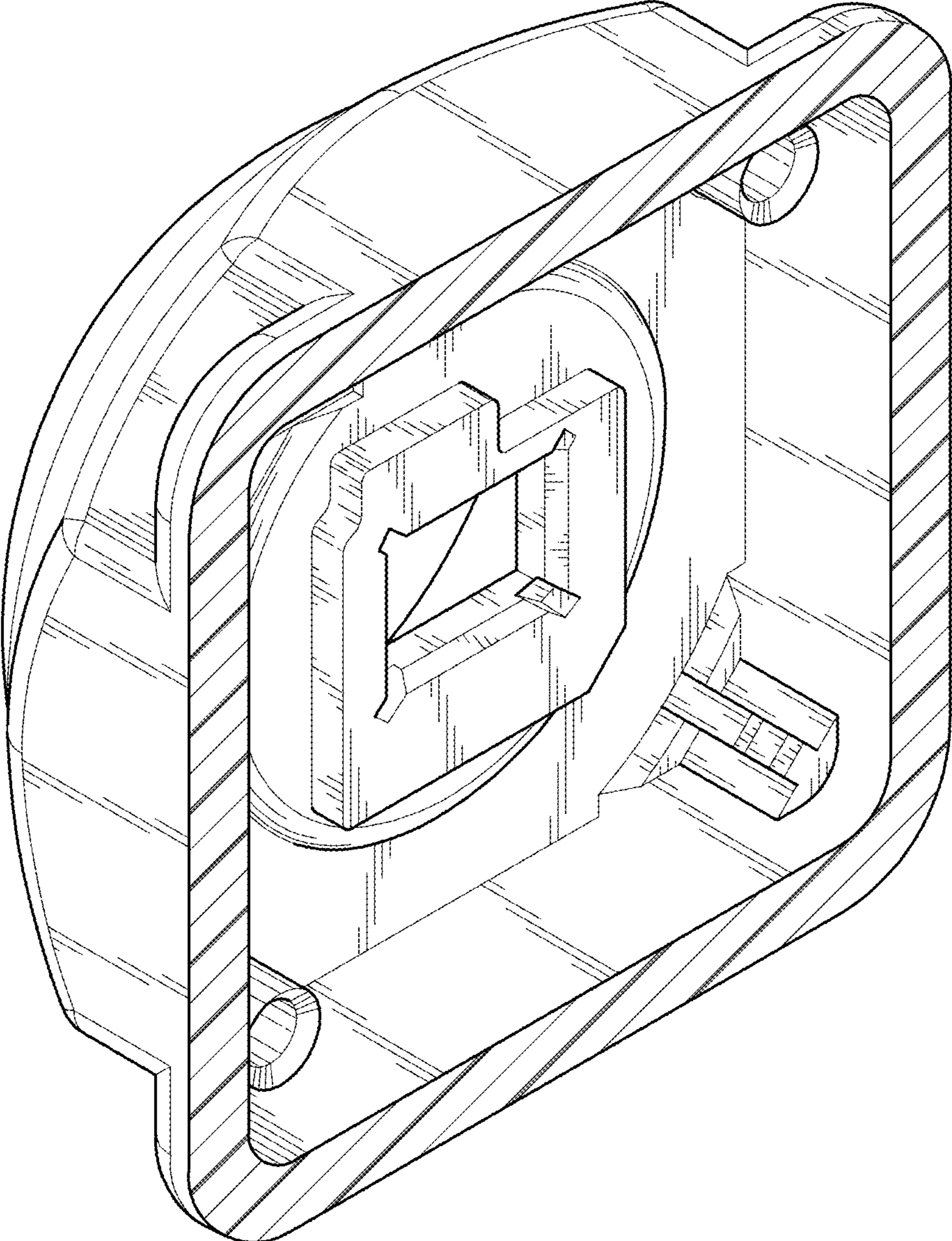


FIG. 9

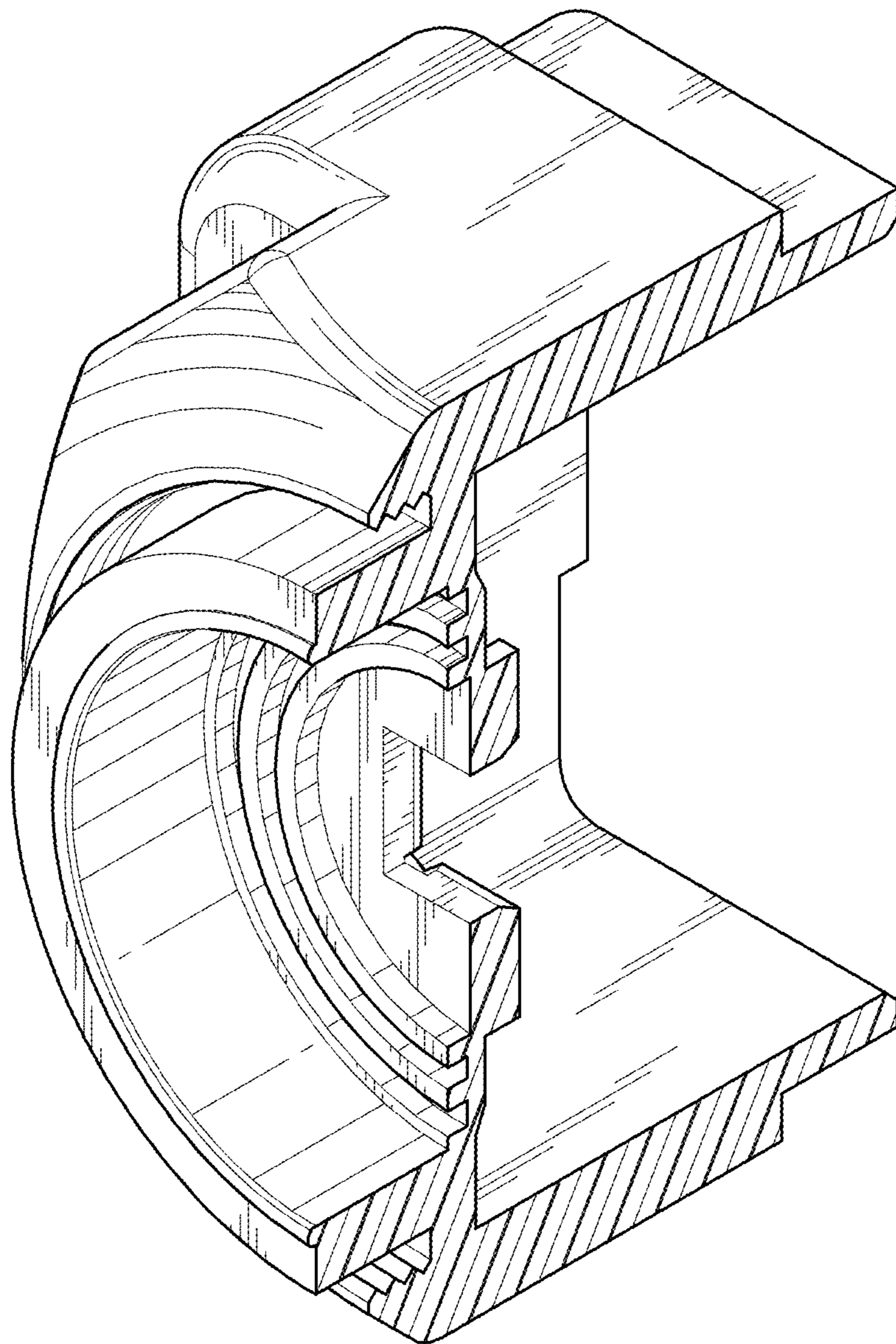


FIG. 10