



US00D897391S

(12) **United States Design Patent** (10) **Patent No.:** **US D897,391 S**  
**Proell** (45) **Date of Patent:** **\*\* Sep. 29, 2020**

(54) **SPYGLASSES**

(71) Applicant: **SWAROVSKI-OPTIK KG., Absam**  
(AT)

(72) Inventor: **Julian Proell, Linz** (AT)

(73) Assignee: **SWAROVSKI-OPTIK KG., Absam**  
(AT)

(\*\*) Term: **15 Years**

(21) Appl. No.: **29/665,948**

(22) Filed: **Oct. 9, 2018**

**Related U.S. Application Data**

(62) Division of application No. 35/503,811, filed on Oct. 2, 2017 (U.S. filing date under 35 U.S.C. 384), and having an international filing date of Oct. 2, 2017, now Pat. No. Des. 841,072.

(51) **LOC (12) Cl.** ..... **16-16**

(52) **U.S. Cl.**  
USPC ..... **D16/133**  
CPC ..... **G02B 7/06** (2013.01)

(58) **Field of Classification Search**  
USPC ..... D16/130-133, 136, 200-203, 217-219, D16/237, 341; D14/168; D10/70; D20/34, 110, 10, 20; D17/99; 359/407  
CPC ... G01C 3/00; G01C 3/02; G01C 3/04; G01C 3/06; G01C 3/08; G01C 3/085; G01C 3/10; G01C 3/12; G01C 3/161; G01C 3/07; G01C 3/20; G01C 3/22; G01C 3/24; G01C 3/26; G01C 3/28; G01C 3/30; G01C 3/32; G02B 2027/0123; G02B 2027/0132; G02B 7/06; G02B 7/12; G02B 23/00; G02B 23/16; G02B 23/23; G02B 2027/0134; G02B 2027/26

See application file for complete search history.

(56) **References Cited**

U.S. PATENT DOCUMENTS

D367,662	S	*	3/1996	Chan	.....	D16/132
6,266,185	B1	*	7/2001	Miller	.....	G02B 7/06 359/407
D486,507	S	*	2/2004	Fujii	.....	D16/133
D492,335	S	*	6/2004	Watanabe	.....	D16/133
D521,037	S	*	5/2006	Swift	.....	D16/133
D523,047	S	*	6/2006	Swift	.....	D16/133
D551,272	S	*	9/2007	Fujii	.....	D16/133
D567,275	S	*	4/2008	Hayamizu	.....	D16/133
D590,857	S	*	4/2009	Fujii	.....	D16/133
D623,676	S	*	9/2010	Yanagisawa	.....	D16/133
D627,378	S	*	11/2010	Watanabe	.....	D16/133
D662,118	S	*	6/2012	Soejima	.....	D16/133
D662,119	S	*	6/2012	Hoshi	.....	D16/133
D687,081	S	*	7/2013	Radau	.....	D16/133
D713,437	S	*	9/2014	Soejima	.....	D16/133
D748,177	S	*	1/2016	Radau	.....	D16/133
D780,243	S	*	2/2017	Marsiglia	.....	D16/133
D783,073	S	*	4/2017	Radau	.....	D16/133
D816,749	S	*	5/2018	Kung	.....	D16/133
D816,750	S	*	5/2018	Nakajima	.....	D16/133
D841,072	S	*	2/2019	Proll	.....	D16/133
D859,490	S	*	9/2019	Proell	.....	D16/133

(Continued)

*Primary Examiner* — Richard E Chilcot  
(74) *Attorney, Agent, or Firm* — Collard & Roe, P.C.

(57) **CLAIM**

The ornamental design for spyglasses, as shown and described.

**DESCRIPTION**

FIG. 1 is a top, rear and left side perspective view of spyglasses showing my new design;  
FIG. 2 is a front view thereof;  
FIG. 3 is a right side view thereof;  
FIG. 4 is a top view thereof;  
FIG. 5 is a left side view thereof;  
FIG. 6 is a bottom view thereof; and,  
FIG. 7 is a rear view thereof.

**1 Claim, 7 Drawing Sheets**



(56)

**References Cited**

U.S. PATENT DOCUMENTS

D869,535 S *	12/2019	Schmitt .....	D16/133
D869,536 S *	12/2019	Schmitt .....	D16/133
D869,537 S *	12/2019	Schmitt .....	D16/133
D869,538 S *	12/2019	Schmitt .....	D16/133
2006/0023302 A1 *	2/2006	Shimizu .....	G02B 25/004
			359/407
2016/0341949 A1 *	11/2016	Heinrich .....	G01C 3/08
2017/0010436 A1 *	1/2017	Leitner .....	G02B 7/04

\* cited by examiner



FIG. 1

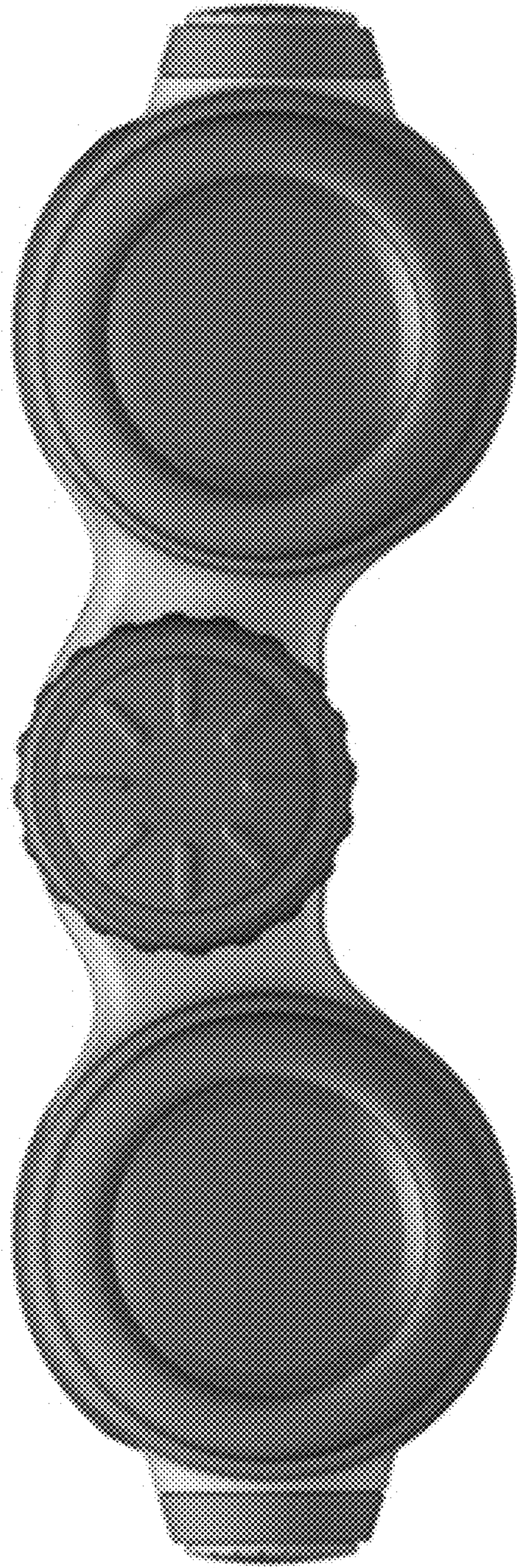


FIG. 2

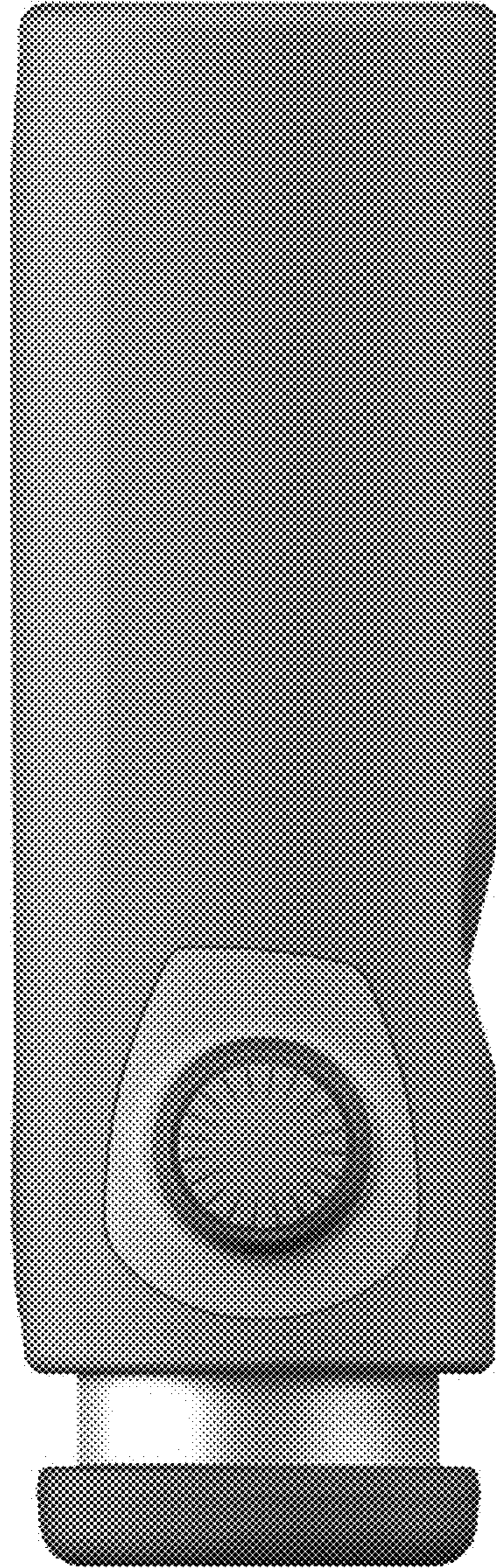


FIG. 3

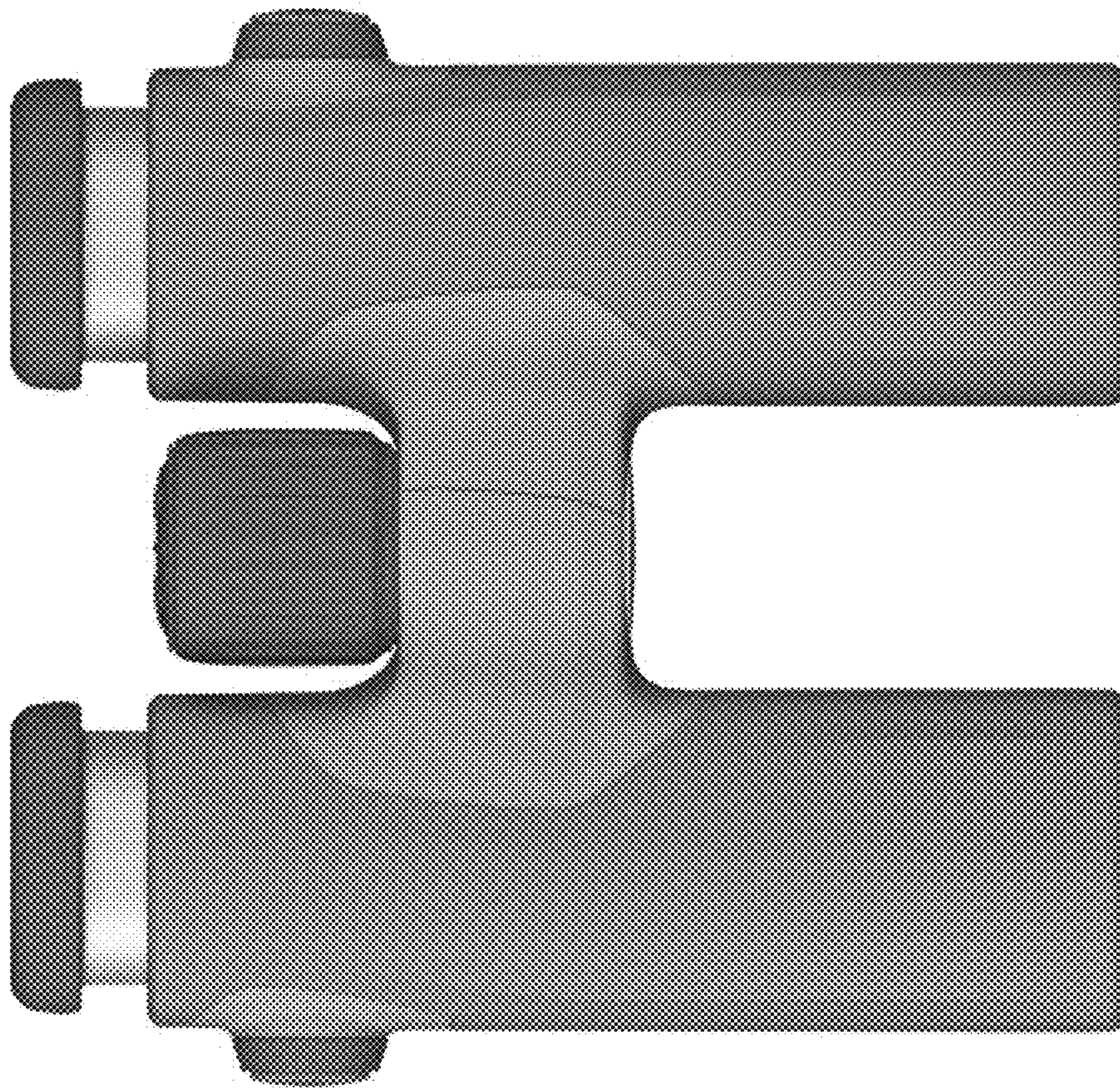


FIG. 4

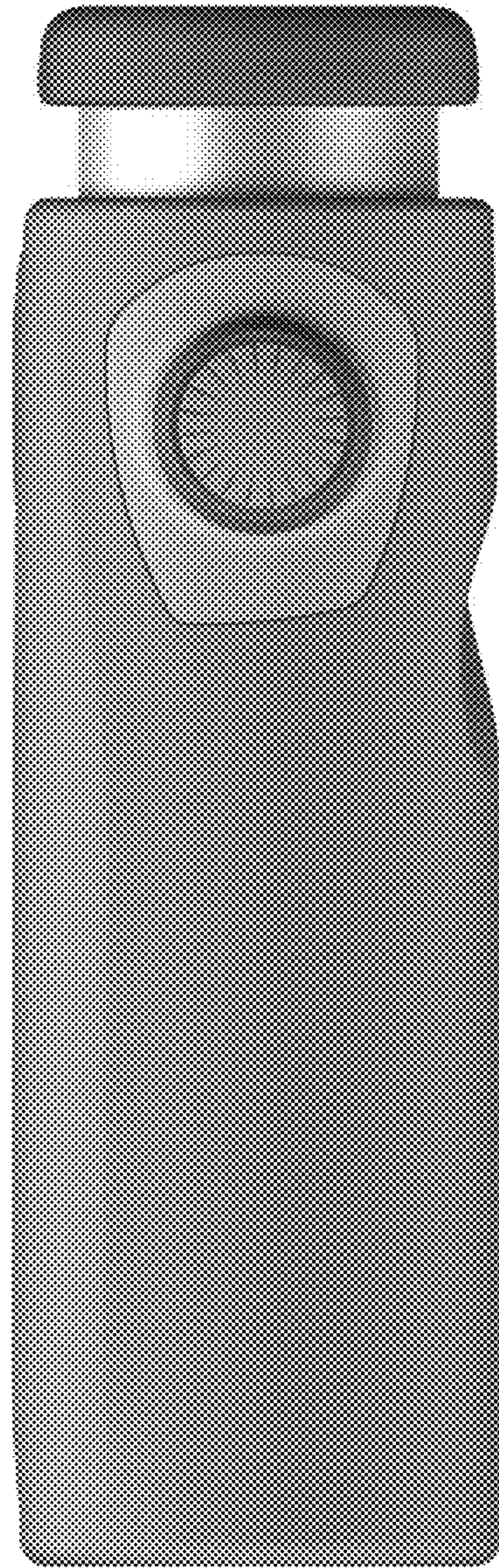


FIG. 5

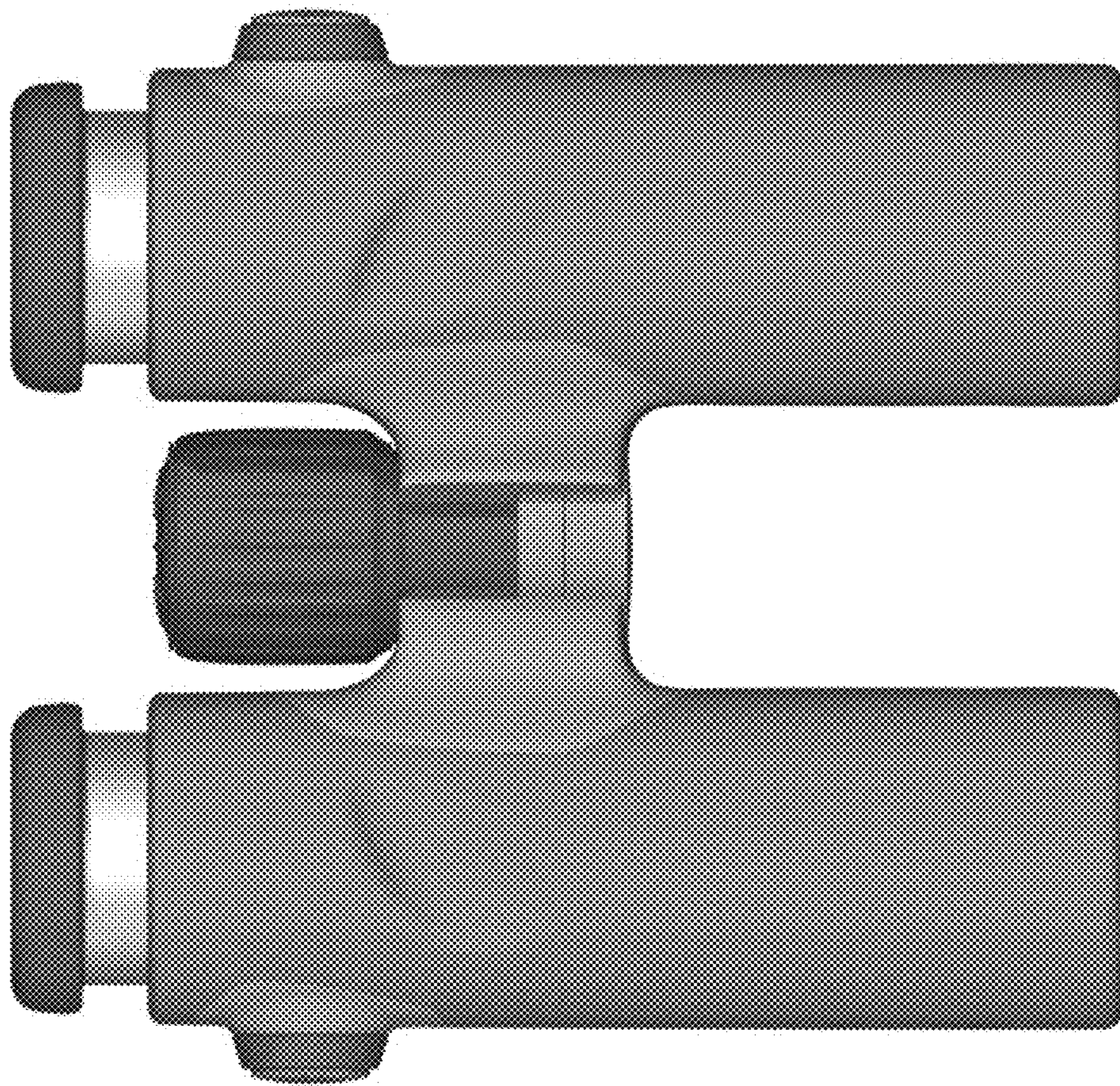


FIG. 6



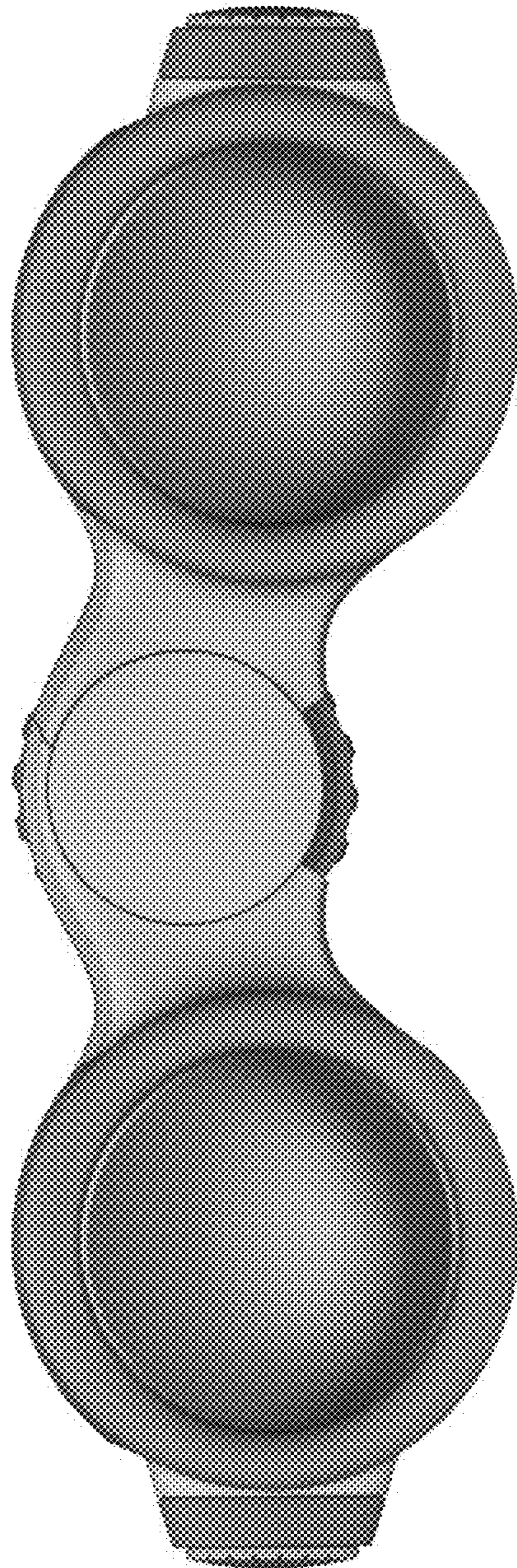


FIG. 7