



US00D897388S

(12) **United States Design Patent** (10) **Patent No.:** **US D897,388 S**
Liao (45) **Date of Patent:** **** Sep. 29, 2020**

- (54) **ACCOMPANY ROBOT**
- (71) Applicant: **IEI INTEGRATION CORP.**, New Taipei (TW)
- (72) Inventor: **Yu-Hsuan Liao**, New Taipei (TW)
- (73) Assignee: **IEI Integration Corp.**, New Taipei (TW)
- (**) Term: **15 Years**
- (21) Appl. No.: **29/692,811**
- (22) Filed: **May 29, 2019**
- (30) **Foreign Application Priority Data**

D735,258 S *	7/2015	Jang	D15/199
D793,145 S *	8/2017	Huang	D15/199
D810,167 S *	2/2018	Yang	D15/199
D810,800 S *	2/2018	Wang	D15/199
D811,458 S *	2/2018	Wang	D15/199
D813,281 S *	3/2018	Kittmann	D15/199
D813,285 S *	3/2018	Wei	D15/199
D817,375 S *	5/2018	Deyle	D15/199
D829,250 S *	9/2018	Zilbershtein	D15/199
D829,252 S *	9/2018	Wang	D15/199
D835,693 S *	12/2018	Lee	D15/199
D840,451 S *	2/2019	Yoo	D15/199
D840,452 S *	2/2019	Yoo	D15/199
D840,453 S *	2/2019	Yoo	D15/199
D849,813 S *	5/2019	Sutherland	D15/199
D851,148 S *	6/2019	Wang	D15/199
D855,673 S *	8/2019	Sutherland	D15/199
D881,249 S *	4/2020	Kim	D15/199
2007/0192910 A1 *	8/2007	Vu	G05D 1/021 700/245

Dec. 27, 2018 (TW) 107307617

- (51) **LOC (12) Cl.** **15-99**
- (52) **U.S. Cl.**
USPC **D15/199**
- (58) **Field of Classification Search**
USPC D15/199; D21/578-583, 621, 622;
D32/21
CPC B25J 5/007; B60B 19/006; B62D 57/024;
H01F 7/0221; Y10S 901/01
See application file for complete search history.

(56) **References Cited**

U.S. PATENT DOCUMENTS

D549,756 S *	8/2007	Park	D15/199
D559,288 S *	1/2008	Matsuda	D15/199
D579,035 S *	10/2008	Kim	B25J 11/008 D15/199
D644,256 S *	8/2011	Kitano	D15/199
D701,256 S *	3/2014	Song	D15/199
D719,620 S *	12/2014	Clerc	B25J 5/007 D15/199
D725,166 S *	3/2015	Paik	D15/199
D726,836 S *	4/2015	Song	D15/199

(Continued)

Primary Examiner — Patricia A Palasik

(74) *Attorney, Agent, or Firm* — Rosenberg, Klein & Lee

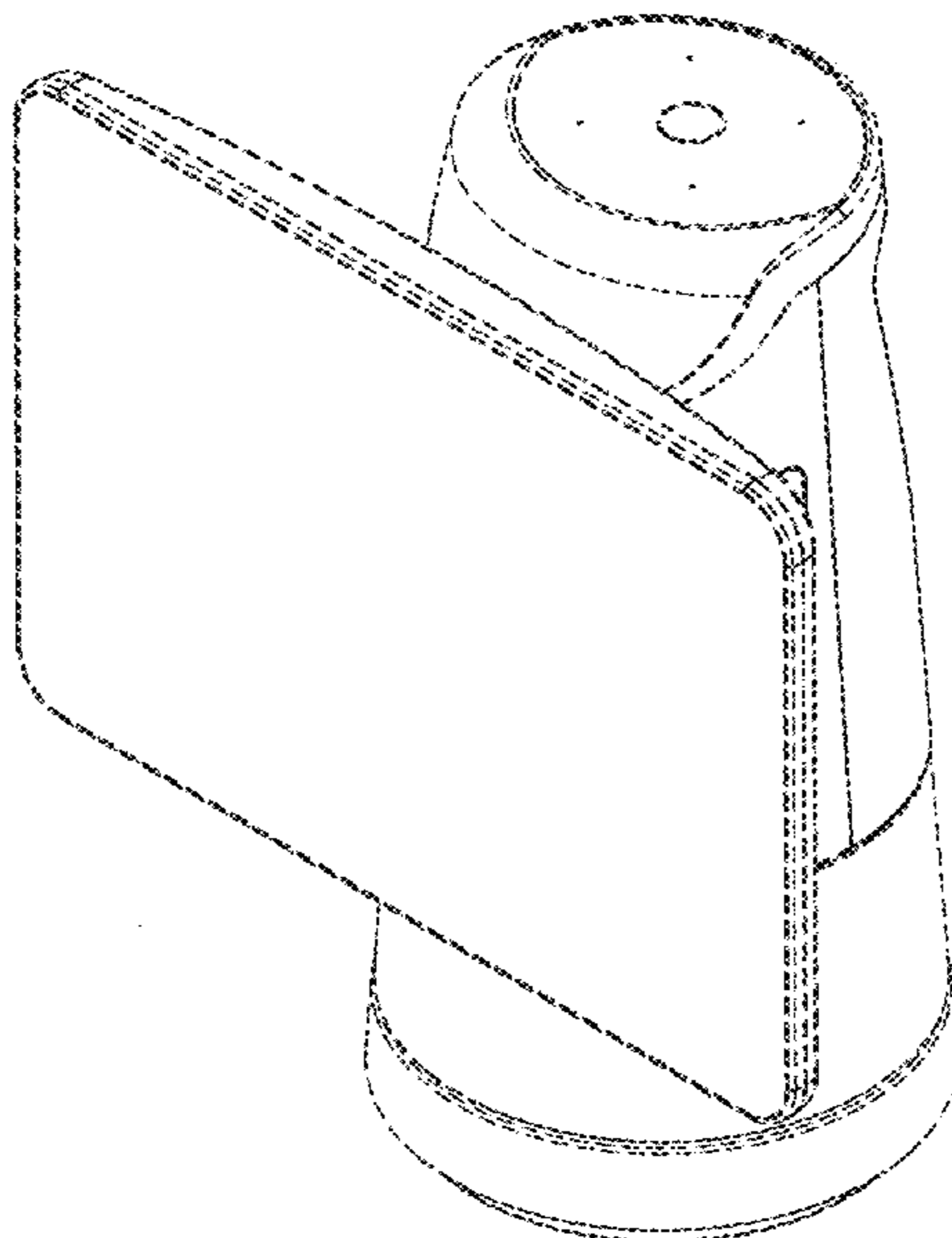
(57) **CLAIM**

The ornamental design for an accompany robot, as shown and described.

DESCRIPTION

FIG. 1 is a perspective view of accompany robot showing my new design;
 FIG. 2 is a front elevational view thereof;
 FIG. 3 is a rear elevational view thereof;
 FIG. 4 is a left side view thereof;
 FIG. 5 is a right side view thereof;
 FIG. 6 is a top plain view thereof; and,
 FIG. 7 is a bottom plain view thereof.
 The elements shown in broken lines represent unclaimed portions of the accompany robot and form no part of the claimed design.

1 Claim, 7 Drawing Sheets



(56)

References Cited

U.S. PATENT DOCUMENTS

2012/0185095	A1 *	7/2012	Rosenstein	G05D 1/0227 700/259
2015/0081338	A1 *	3/2015	Lai	B25J 9/1676 705/3
2015/0224640	A1 *	8/2015	Vu	G16H 40/63 700/259
2016/0221191	A1 *	8/2016	Ota	B25J 9/1674
2017/0144875	A1 *	5/2017	Clerc	B66F 15/00
2018/0178375	A1 *	6/2018	Yang	B25J 5/007

* cited by examiner

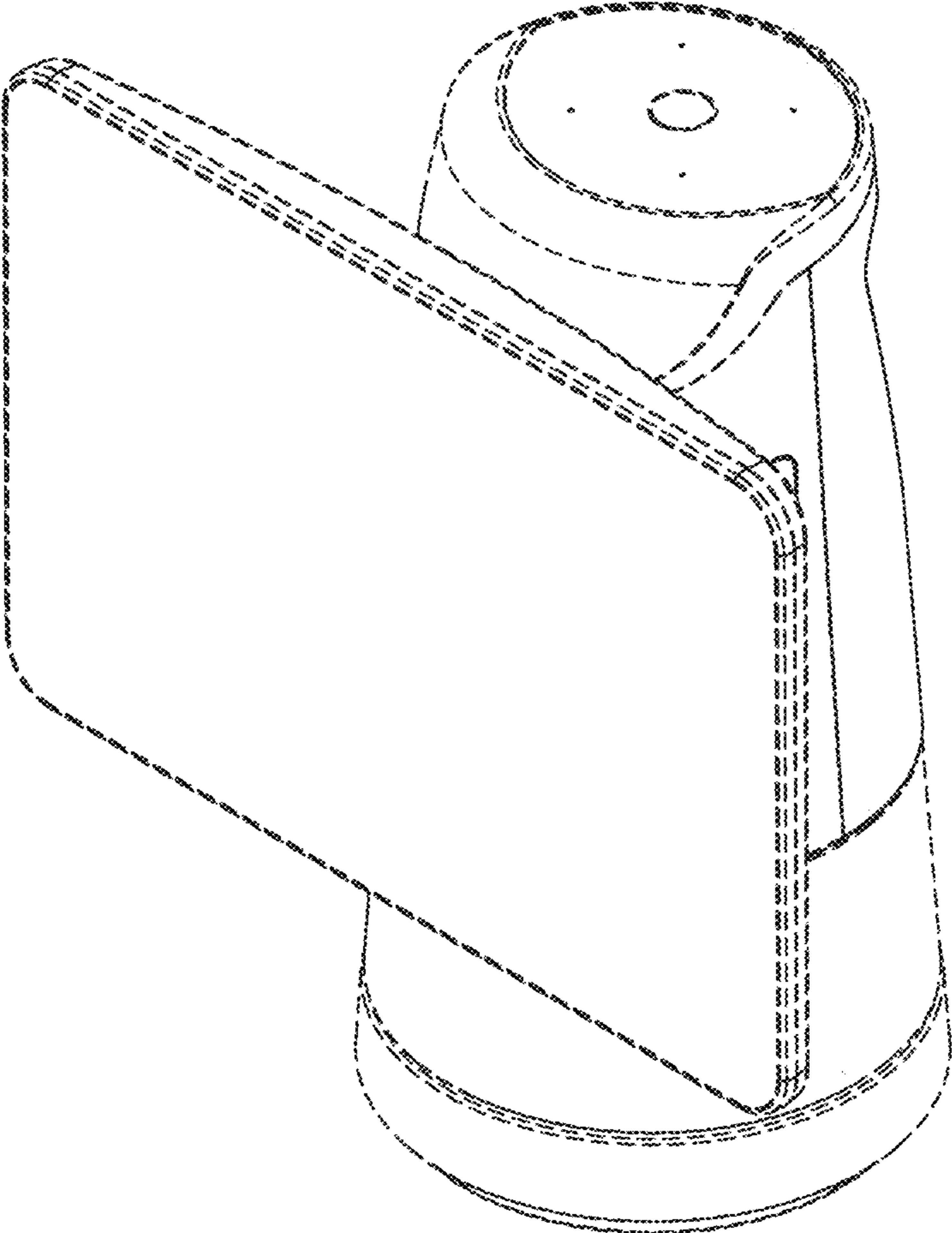


FIG.1

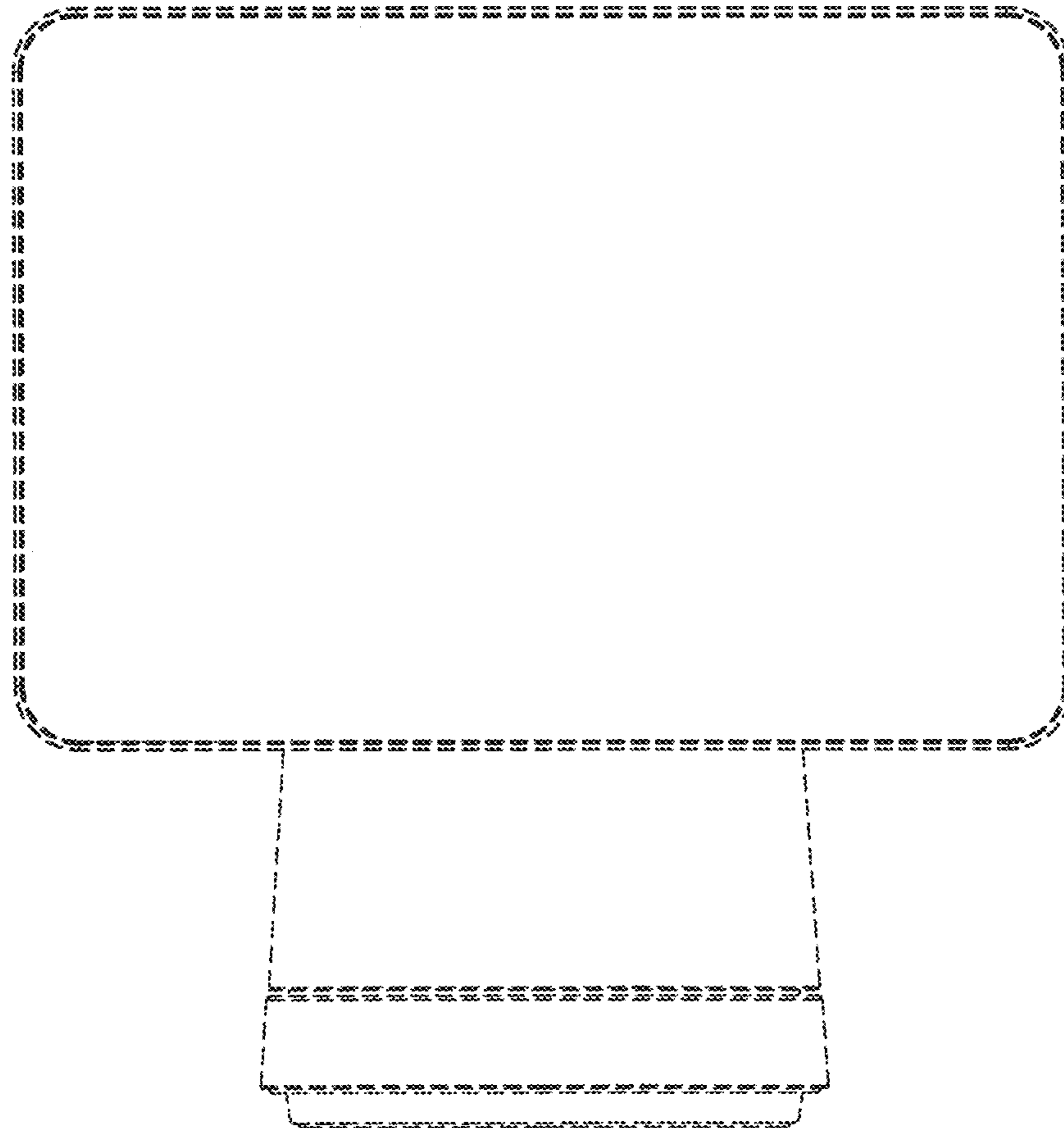


FIG.2

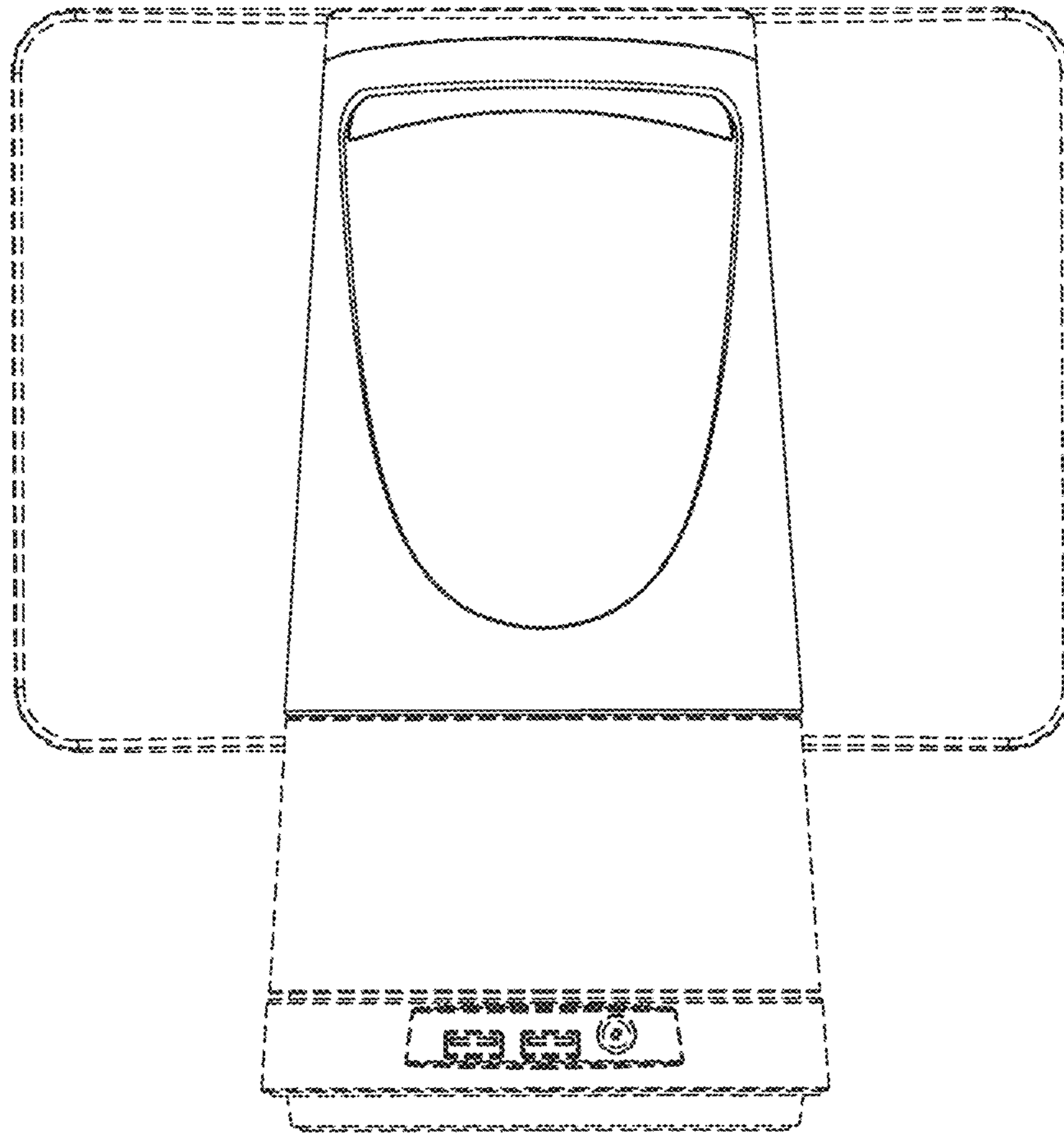


FIG.3

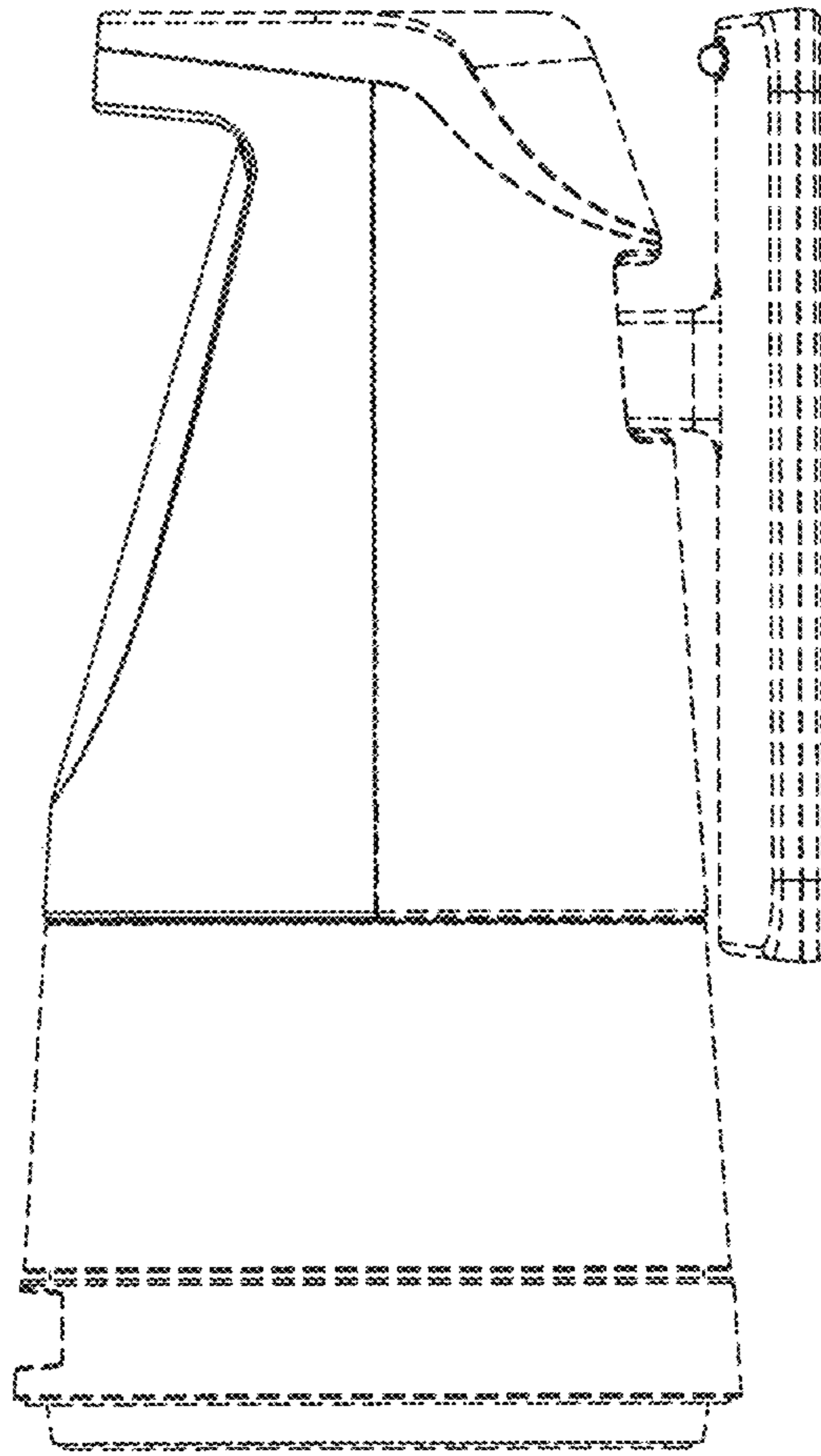


FIG. 4

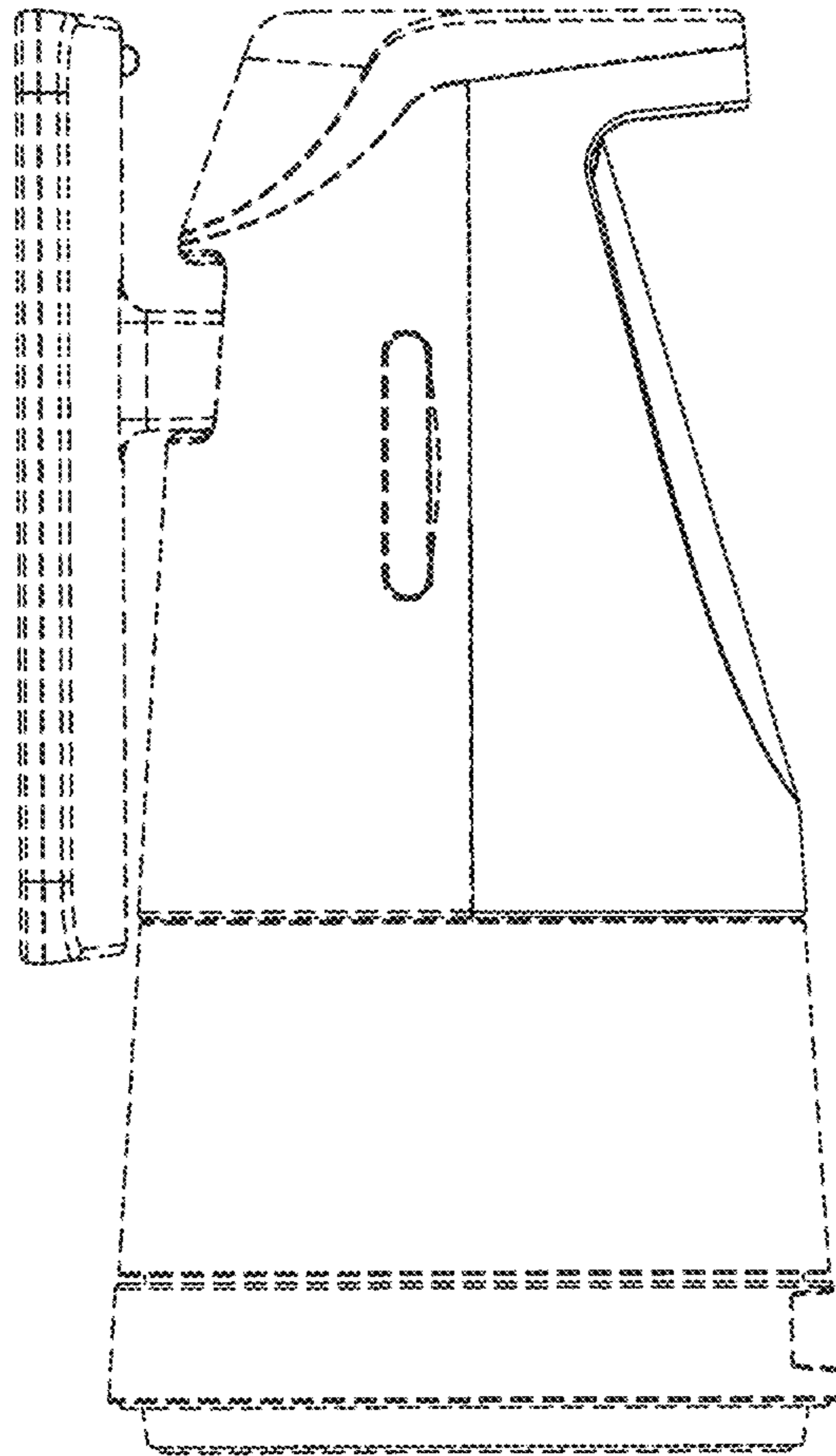


FIG.5

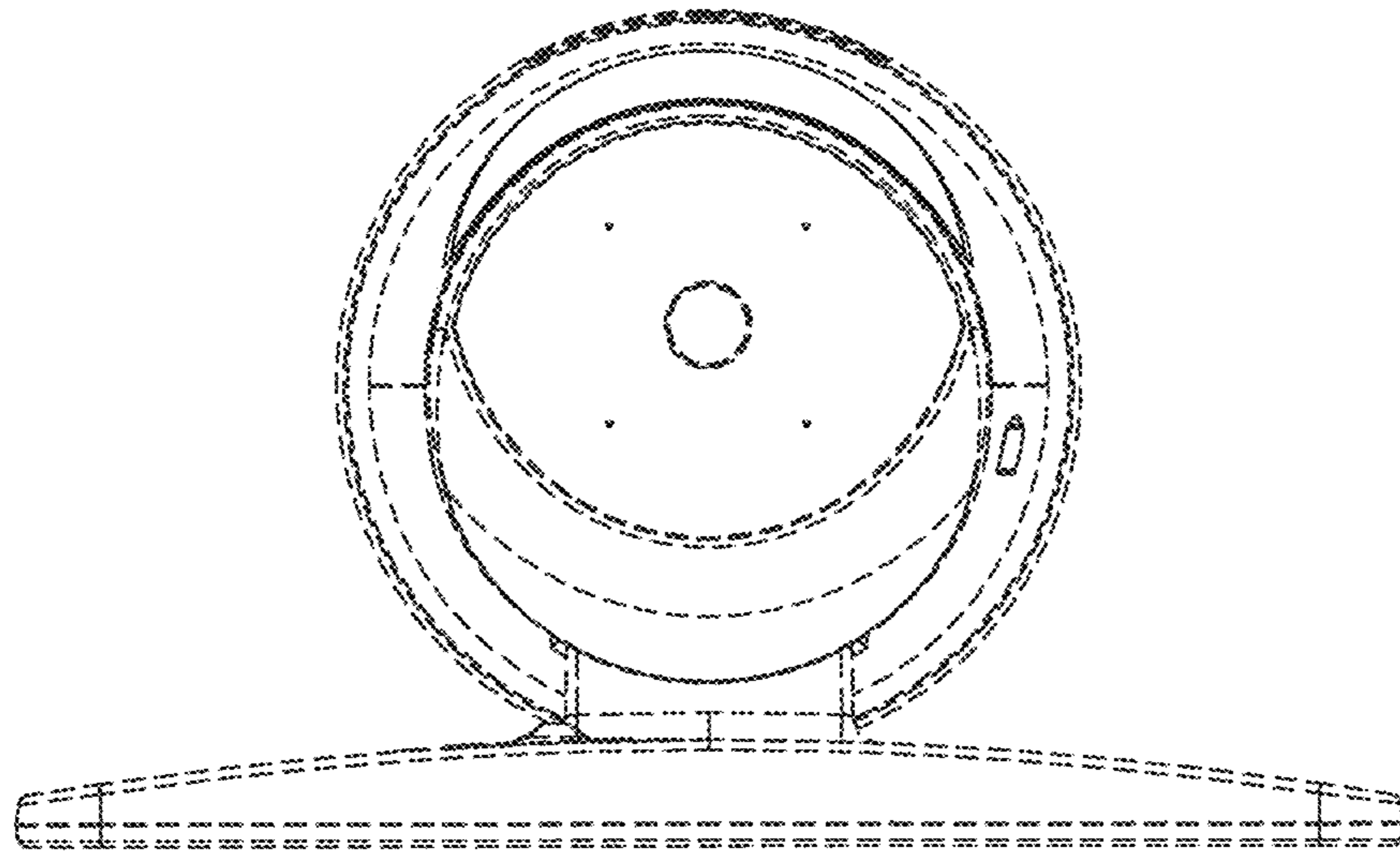


FIG.6

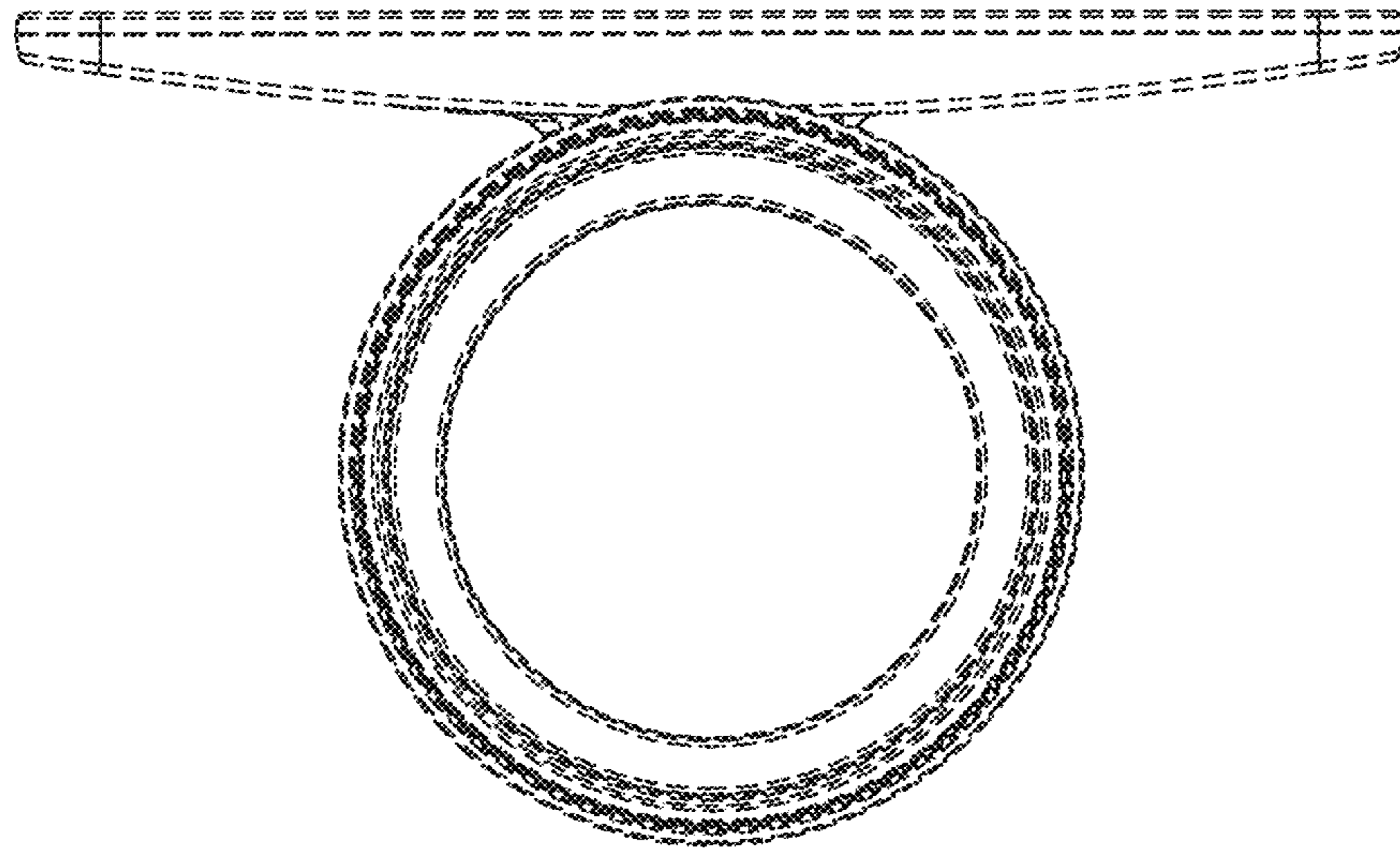


FIG.7