



US00D897387S

(12) **United States Design Patent** (10) **Patent No.:** **US D897,387 S**  
**Liao** (45) **Date of Patent:** **\*\* Sep. 29, 2020**

(54) **ACCOMPANY ROBOT**  
(71) Applicant: **IEI INTEGRATION CORP.**, New Taipei (TW)  
(72) Inventor: **Yu-Hsuan Liao**, New Taipei (TW)  
(73) Assignee: **IEI Integration Corp.**, New Taipei (TW)  
(\*\*) Term: **15 Years**  
(21) Appl. No.: **29/692,806**  
(22) Filed: **May 29, 2019**  
(30) **Foreign Application Priority Data**

D735,258 S \* 7/2015 Jang ..... D15/199  
D793,145 S \* 8/2017 Huang ..... D15/199  
D810,167 S \* 2/2018 Yang ..... D15/199  
D810,800 S \* 2/2018 Wang ..... D15/199  
D811,458 S \* 2/2018 Wang ..... D15/199  
D813,281 S \* 3/2018 Kittmann ..... D15/199  
D813,285 S \* 3/2018 Wei ..... D15/199  
D817,375 S \* 5/2018 Deyle ..... D15/199  
D829,250 S \* 9/2018 Zilbershtein ..... D15/199  
D829,252 S \* 9/2018 Wang ..... D15/199  
D835,693 S \* 12/2018 Lee ..... D15/199  
D840,451 S \* 2/2019 Yoo ..... D15/199  
D840,452 S \* 2/2019 Yoo ..... D15/199  
D840,453 S \* 2/2019 Yoo ..... D15/199  
D849,813 S \* 5/2019 Sutherland ..... D15/199  
D851,148 S \* 6/2019 Wang ..... D15/199  
D855,673 S \* 8/2019 Sutherland ..... D15/199  
D881,249 S \* 4/2020 Kim ..... D15/199  
2007/0192910 A1 \* 8/2007 Vu ..... G05D 1/021  
700/245

Dec. 27, 2018 (TW) ..... 107307616

(51) **LOC (12) Cl.** ..... **15-99**  
(52) **U.S. Cl.**  
USPC ..... **D15/199**  
(58) **Field of Classification Search**  
USPC ..... D15/199; D21/578-583, 621, 622;  
D32/21  
CPC ..... B25J 5/007; B60B 19/006; B62D 57/024;  
H01F 7/0221; Y10S 901/01  
See application file for complete search history.

(56) **References Cited**  
U.S. PATENT DOCUMENTS  
D549,756 S \* 8/2007 Park ..... D15/199  
D559,288 S \* 1/2008 Matsuda ..... D15/199  
D579,035 S \* 10/2008 Kim ..... B25J 11/008  
D15/199  
D644,256 S \* 8/2011 Kitano ..... D15/199  
D701,256 S \* 3/2014 Song ..... D15/199  
D719,620 S \* 12/2014 Clerc ..... B25J 5/007  
D15/199  
D725,166 S \* 3/2015 Paik ..... D15/199  
D726,836 S \* 4/2015 Song ..... D15/199

(Continued)

*Primary Examiner* — Patricia A Palasik  
(74) *Attorney, Agent, or Firm* — Rosenberg, Klein & Lee

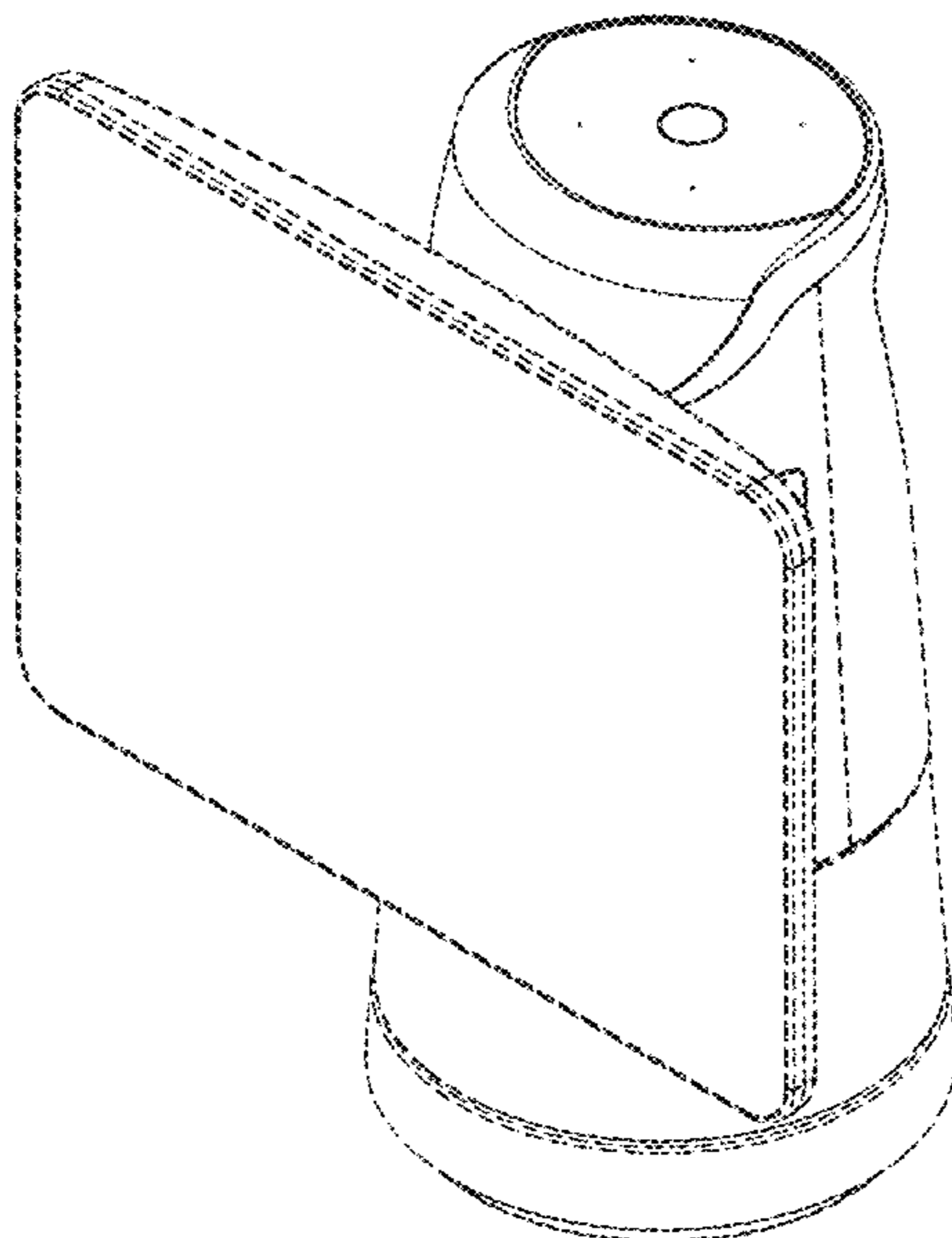
(57) **CLAIM**

The ornamental design for an accompany robot, as shown and described.

**DESCRIPTION**

FIG. 1 is a perspective view of an accompany robot showing my new design;  
FIG. 2 is a front elevational view thereof;  
FIG. 3 is a rear elevational view thereof;  
FIG. 4 is a left side view thereof;  
FIG. 5 is a right side view thereof;  
FIG. 6 is a top plain view thereof; and,  
FIG. 7 is a bottom plain view thereof.  
The elements shown in broken lines represent unclaimed portions of the accompany robot and form no part of the claimed design.

**1 Claim, 7 Drawing Sheets**



(56)

**References Cited**

U.S. PATENT DOCUMENTS

2012/0185095	A1 *	7/2012	Rosenstein	.....	G05D 1/0227 700/259
2015/0081338	A1 *	3/2015	Lai	.....	B25J 9/1676 705/3
2015/0224640	A1 *	8/2015	Vu	.....	G16H 40/63 700/259
2016/0221191	A1 *	8/2016	Ota	.....	B25J 9/1674
2017/0144875	A1 *	5/2017	Clerc	.....	B66F 15/00
2018/0178375	A1 *	6/2018	Yang	.....	B25J 5/007

\* cited by examiner

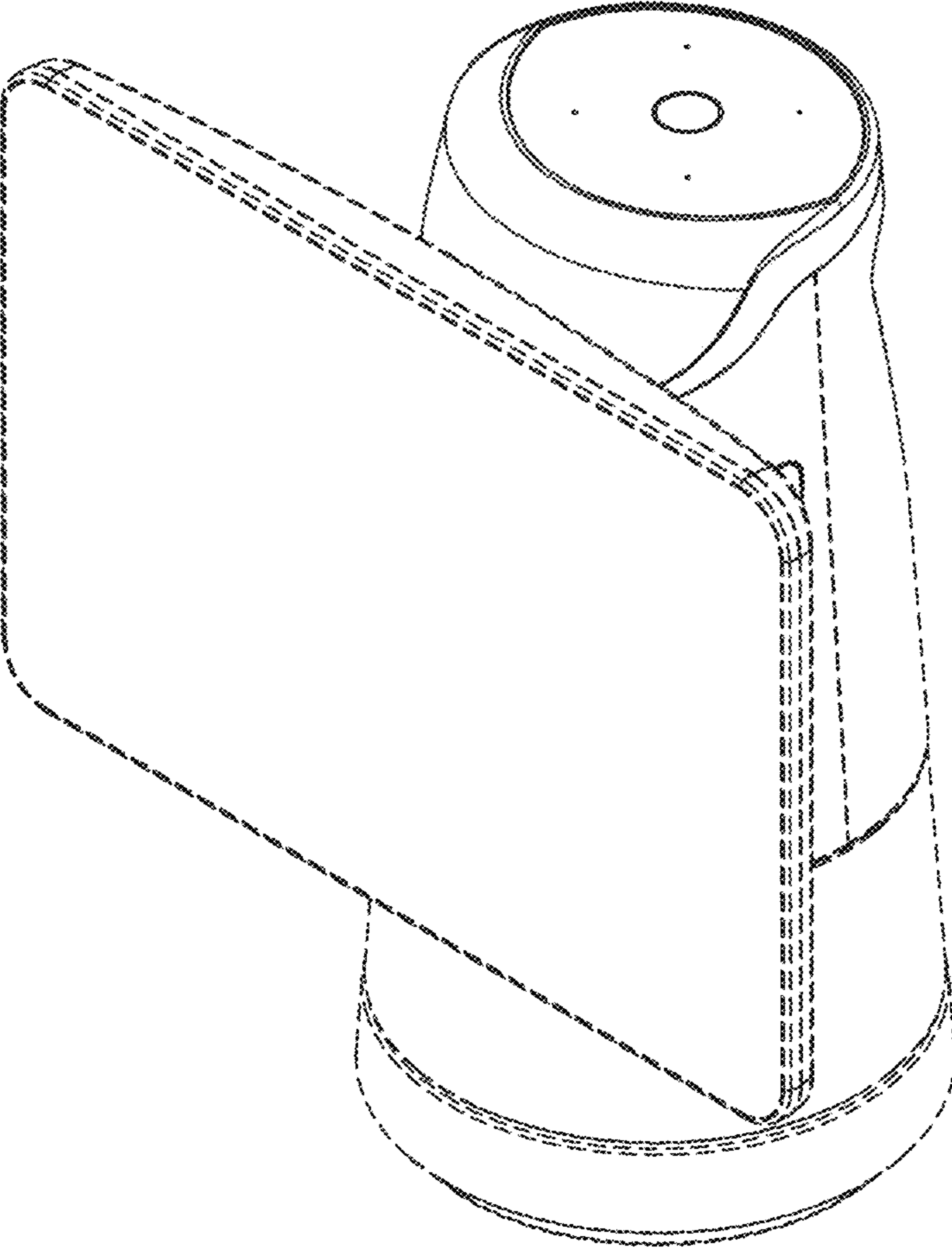


FIG.1

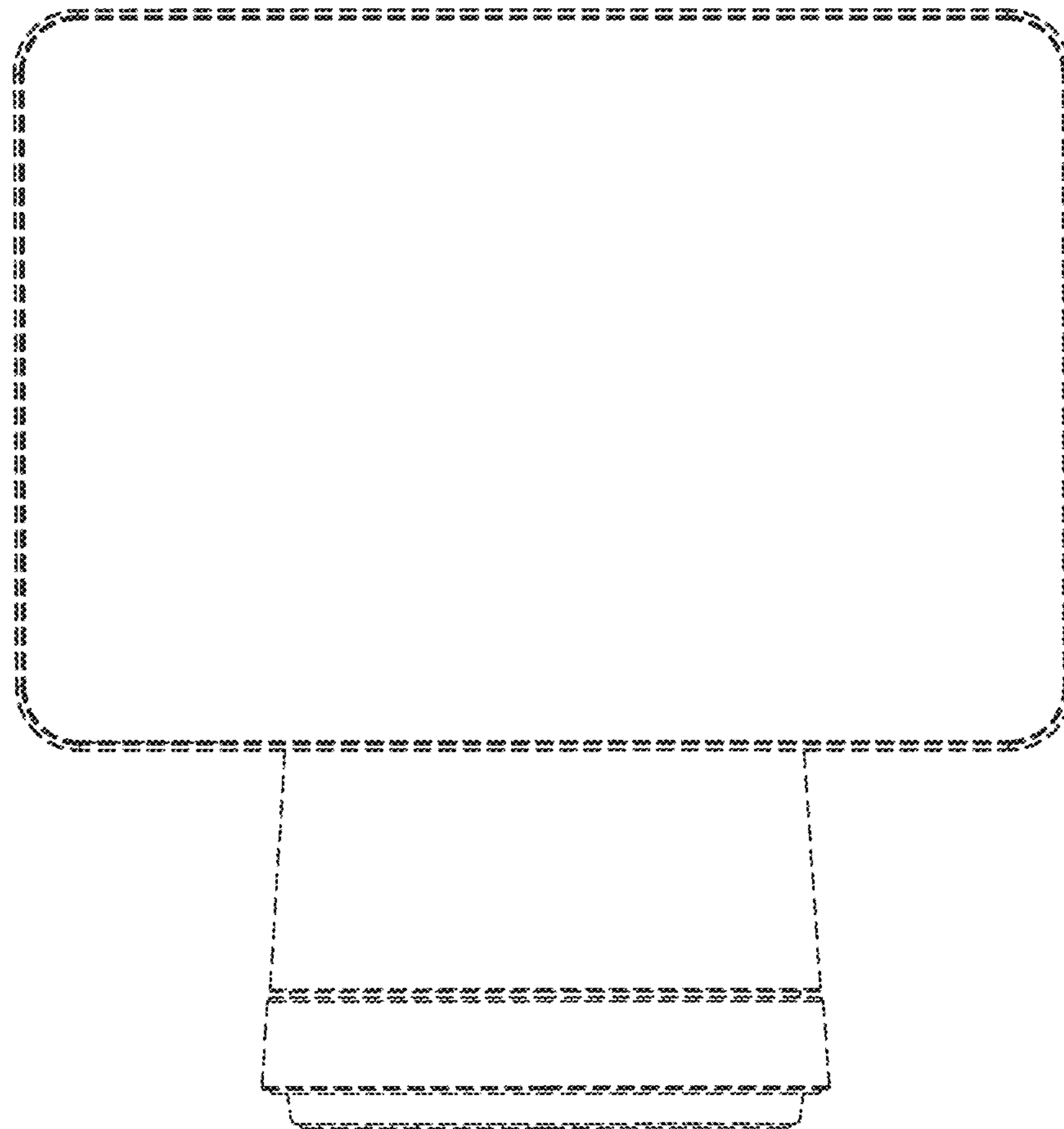


FIG.2

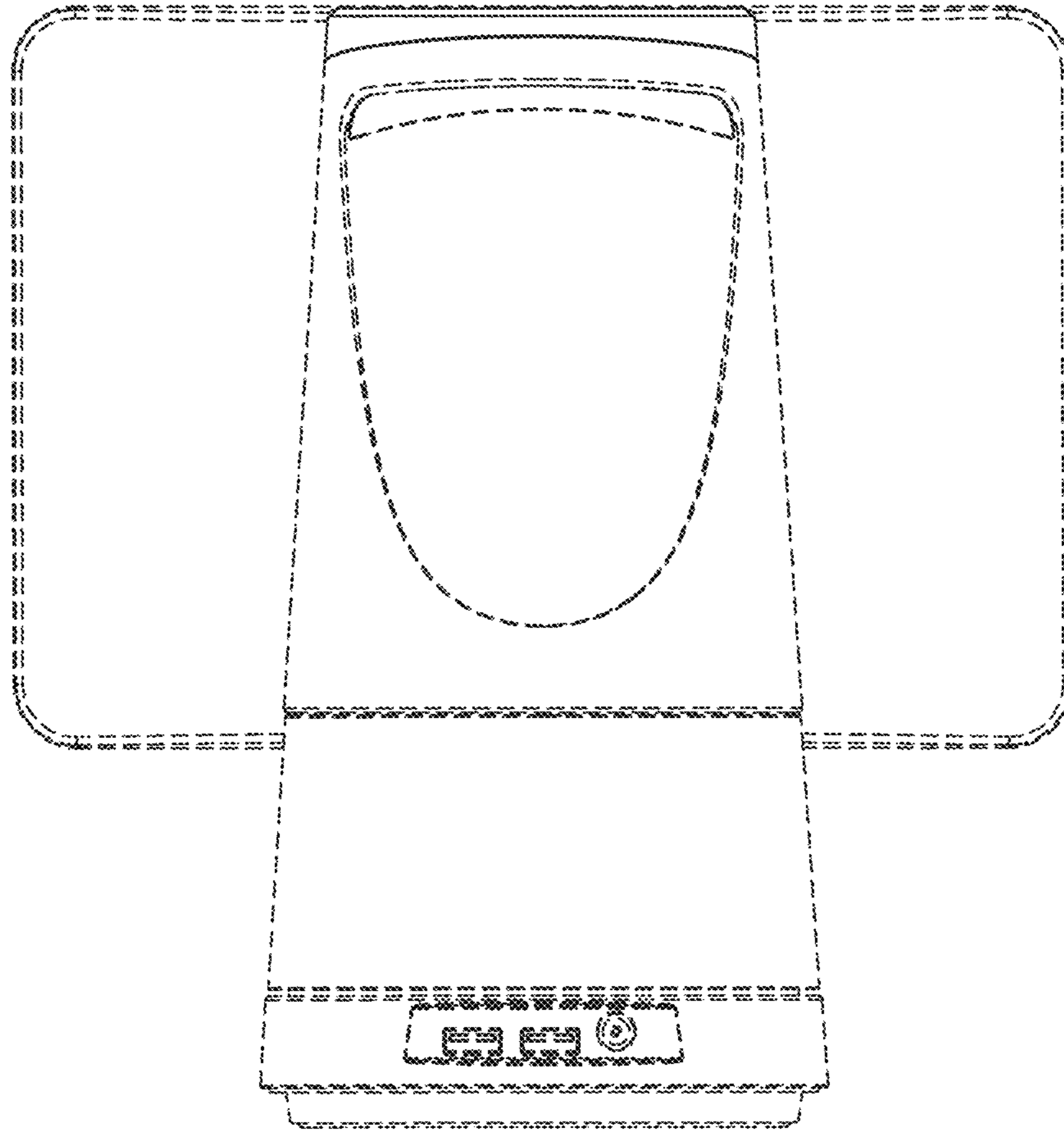


FIG.3

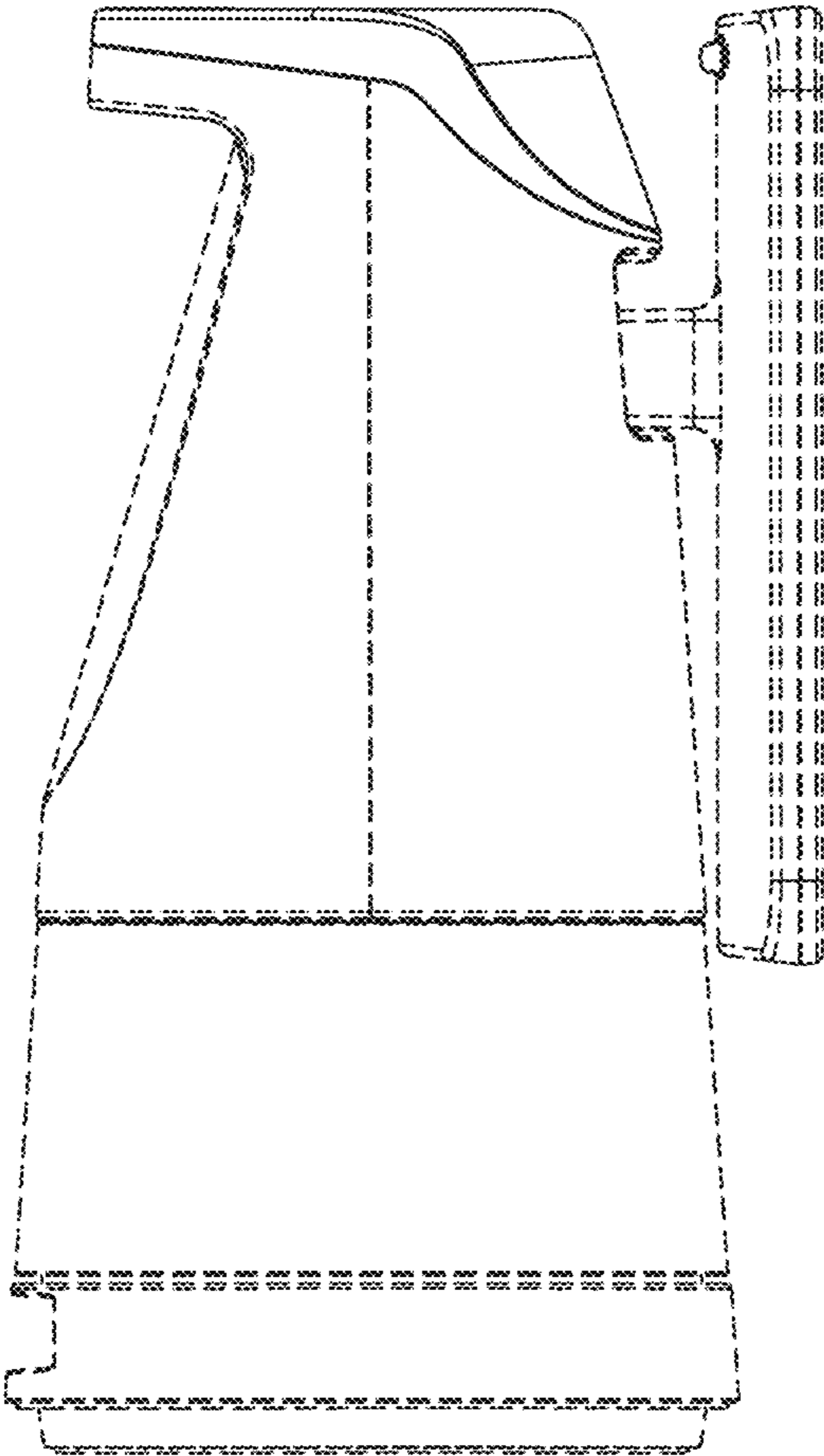


FIG.4



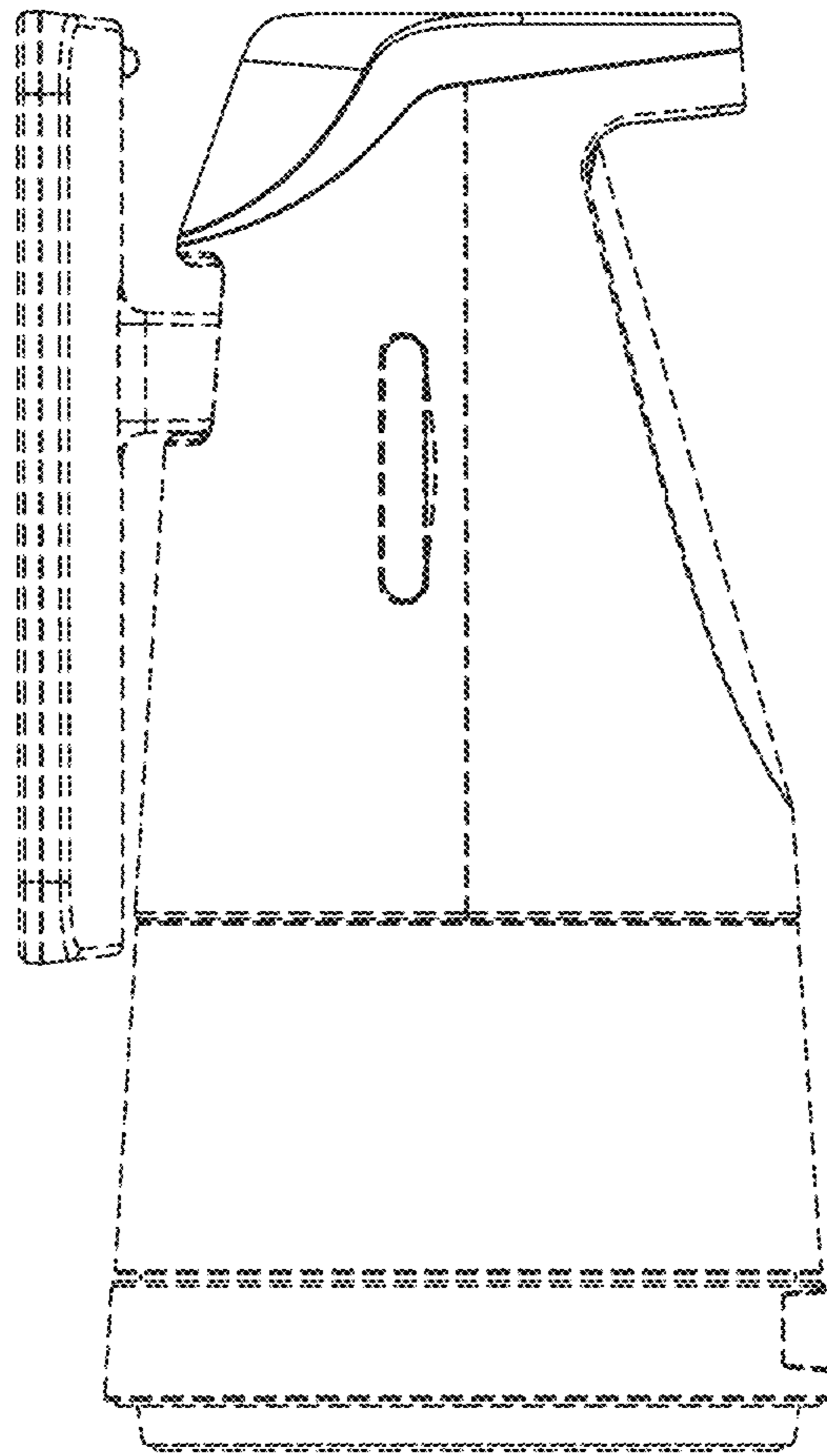


FIG.5

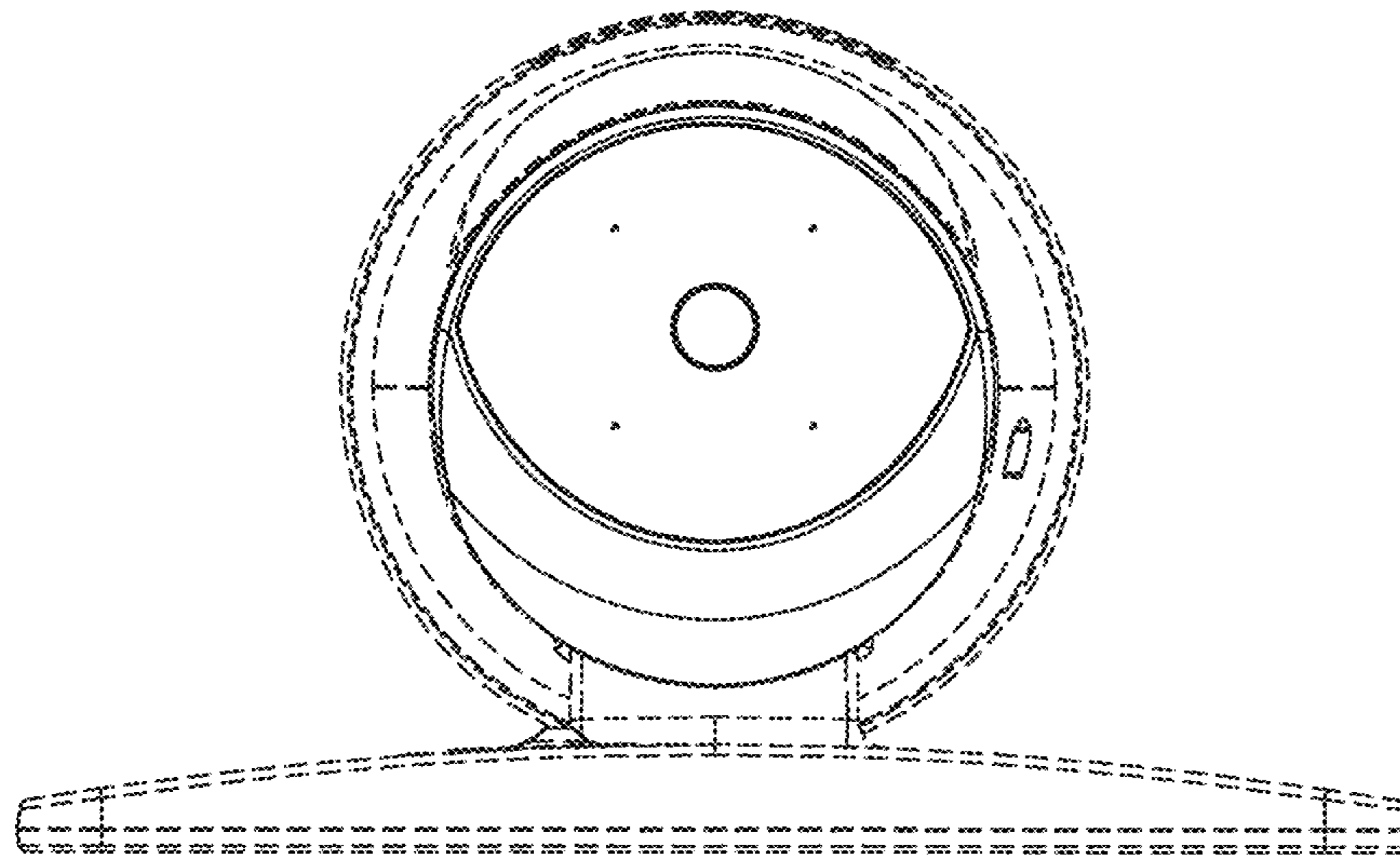


FIG.6



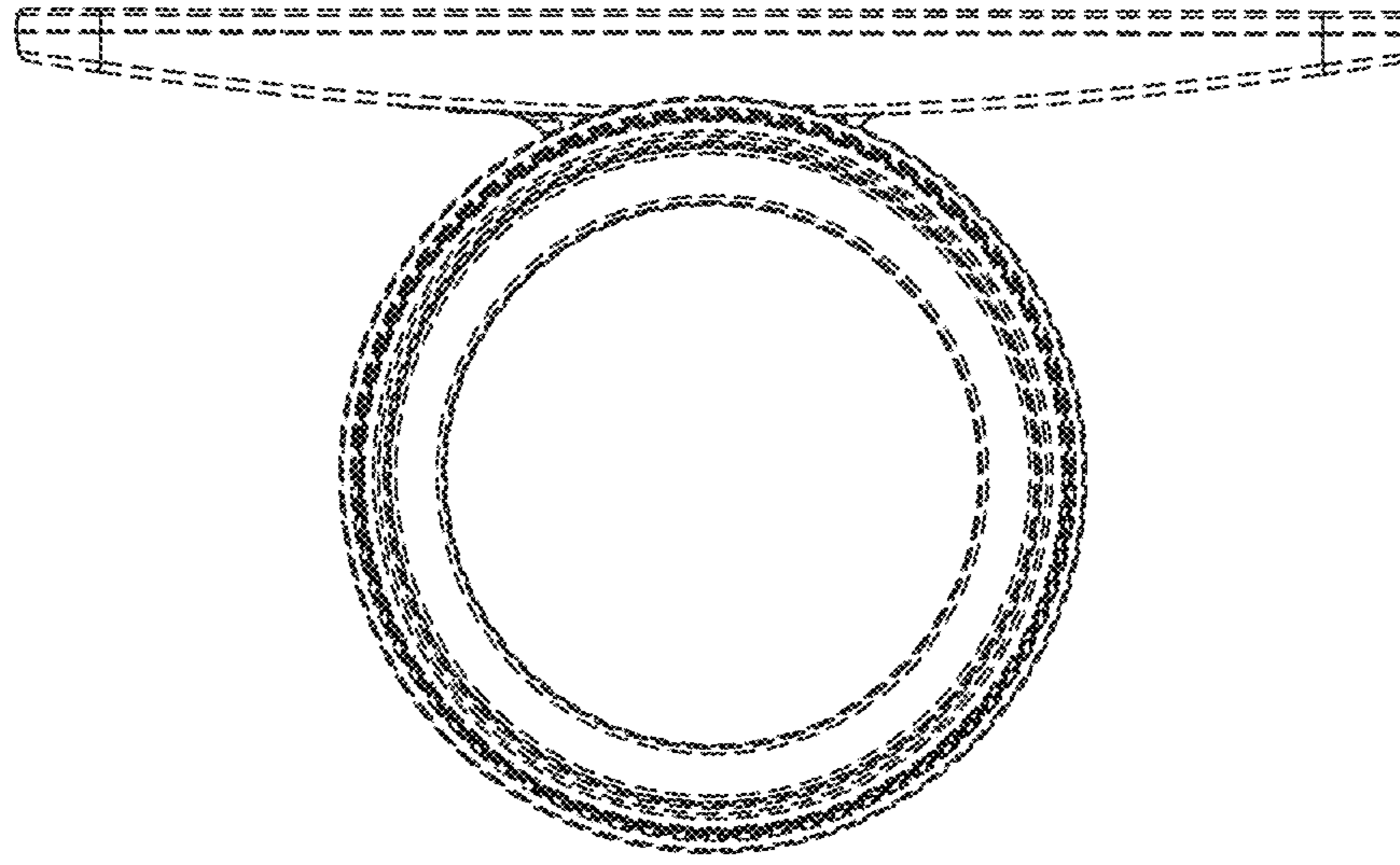


FIG.7