



US00D897386S

(12) **United States Design Patent**  
**He et al.**

(10) **Patent No.:** **US D897,386 S**

(45) **Date of Patent:** **\*\* Sep. 29, 2020**

- (54) **PICTURE-BOOK READING ROBOT**
- (71) Applicant: **Beijing Ling Technology Co., Ltd.**,  
Beijing (CN)
- (72) Inventors: **Jiabin He**, Beijing (CN); **Jinbo Huang**,  
Beijing (CN); **Xi Wang**, Beijing (CN);  
**Jiawei Gu**, Beijing (CN)
- (73) Assignee: **Beijing Ling Technology CO., LTD.**,  
Beijing (CN)
- (\*\*) Term: **15 Years**
- (21) Appl. No.: **29/669,062**
- (22) Filed: **Nov. 5, 2018**

- 8,794,367 B2 \* 8/2014 Chung ..... G01S 7/4814  
180/167
- 8,800,101 B2 \* 8/2014 Kim ..... A47L 9/2805  
15/319
- 8,801,057 B2 \* 8/2014 Kim ..... A47L 9/009  
293/4
- 8,843,245 B2 \* 9/2014 Choe ..... G05D 1/0246  
701/2
- D733,203 S \* 6/2015 Menor ..... D12/107
- D765,750 S \* 9/2016 Miller ..... D15/199
- D797,829 S \* 9/2017 Lv ..... D14/154
- D832,372 S \* 10/2018 Huang ..... D21/578
- D835,693 S \* 12/2018 Lee ..... D15/199
- D840,453 S \* 2/2019 Yoo ..... D15/199
- D843,888 S \* 3/2019 Wang ..... D12/16.1
- D855,673 S \* 8/2019 Sutherland ..... D15/199
- D861,760 S \* 10/2019 Zhuang ..... D15/199
- D865,021 S \* 10/2019 Hu ..... D15/199
- D871,478 S \* 12/2019 Wang ..... D15/199

(Continued)

(30) **Foreign Application Priority Data**

May 4, 2018 (CN) ..... 2018 3 0198192

(51) **LOC (12) Cl.** ..... **15-99**

(52) **U.S. Cl.**  
USPC ..... **D15/199**

(58) **Field of Classification Search**  
USPC ..... D15/199; D21/578-583, 621, 622;  
D32/21

CPC ..... B25J 5/007; B60B 19/006; B62D 57/024;

H01F 7/0221; Y10S 901/01

See application file for complete search history.

(56) **References Cited**

**U.S. PATENT DOCUMENTS**

- D548,902 S \* 8/2007 Chun ..... D32/21
- D549,756 S \* 8/2007 Park ..... D15/199
- D556,961 S \* 12/2007 Swyst ..... D15/199
- D596,815 S \* 7/2009 Baek ..... D32/21
- D658,341 S \* 4/2012 Nam ..... D32/21
- D665,547 S \* 8/2012 Nam ..... D32/21
- 8,688,272 B2 \* 4/2014 Hong ..... G05D 1/0234  
700/253

*Primary Examiner* — Patricia A Palasik

(74) *Attorney, Agent, or Firm* — Calfee, Halter &  
Griswold LLP

(57) **CLAIM**

We claim the ornamental design for a picture-book reading robot, as shown and described.

**DESCRIPTION**

FIG. 1 is a front elevational view of a picture-book reading robot of the present design;

FIG. 2 is a rear elevational view thereof;

FIG. 3 is a right side elevational view thereof;

FIG. 4 is a left side elevational view thereof;

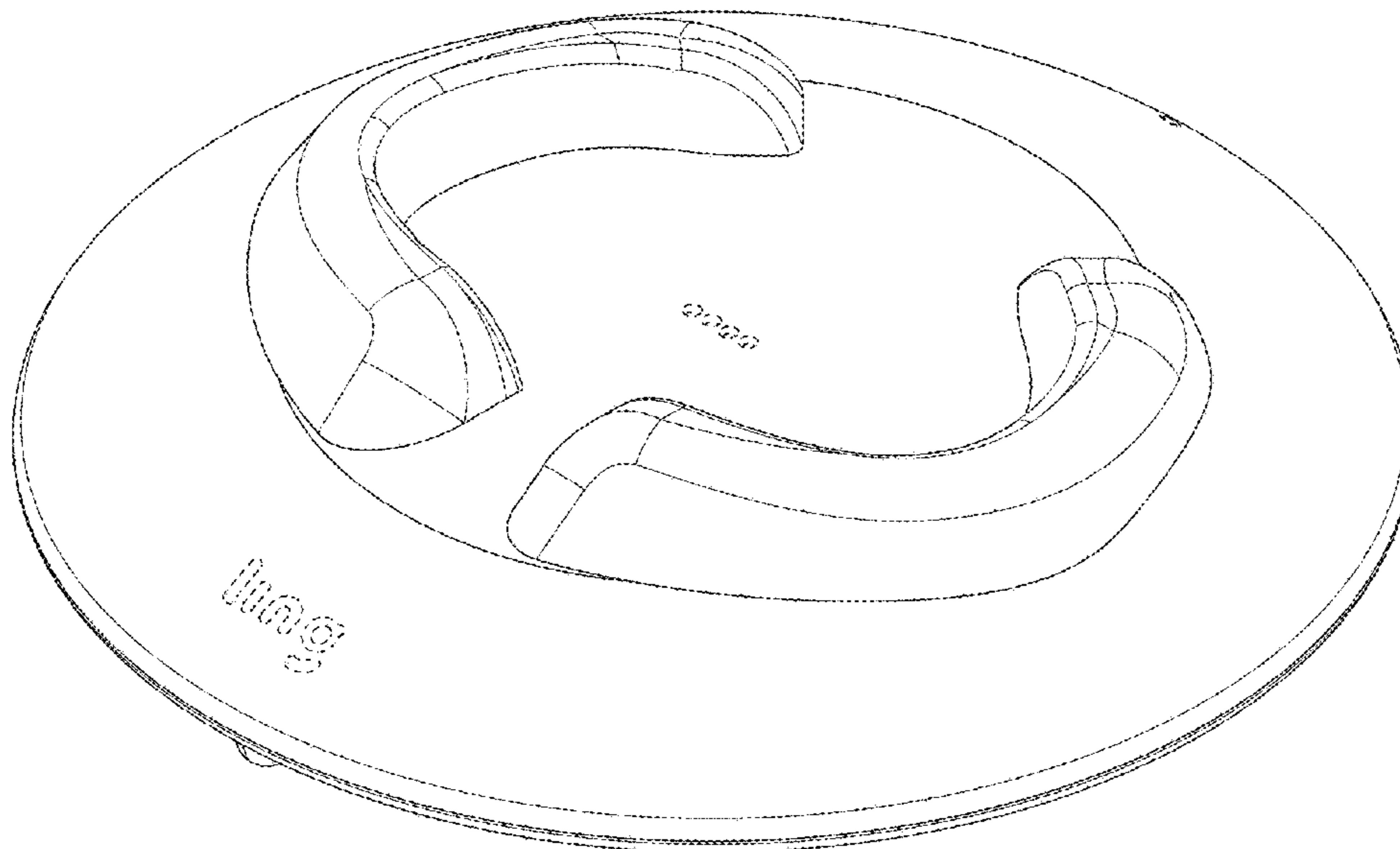
FIG. 5 is a top plan view thereof;

FIG. 6 is a bottom plan view thereof; and,

FIG. 7 is a top/front/right perspective view thereof.

The broken lines are for purposes of illustrating portions of the picture-book reading robot which form no part of the claimed design.

**1 Claim, 5 Drawing Sheets**



(56)

**References Cited**

U.S. PATENT DOCUMENTS

D879,852 S *	3/2020	Chen .....	D15/199
D880,550 S *	4/2020	Sokuza .....	D15/199
D881,249 S *	4/2020	Kim .....	D15/199
D881,250 S *	4/2020	Yao .....	D15/199
2018/0178375 A1 *	6/2018	Yang .....	B25J 5/007

\* cited by examiner

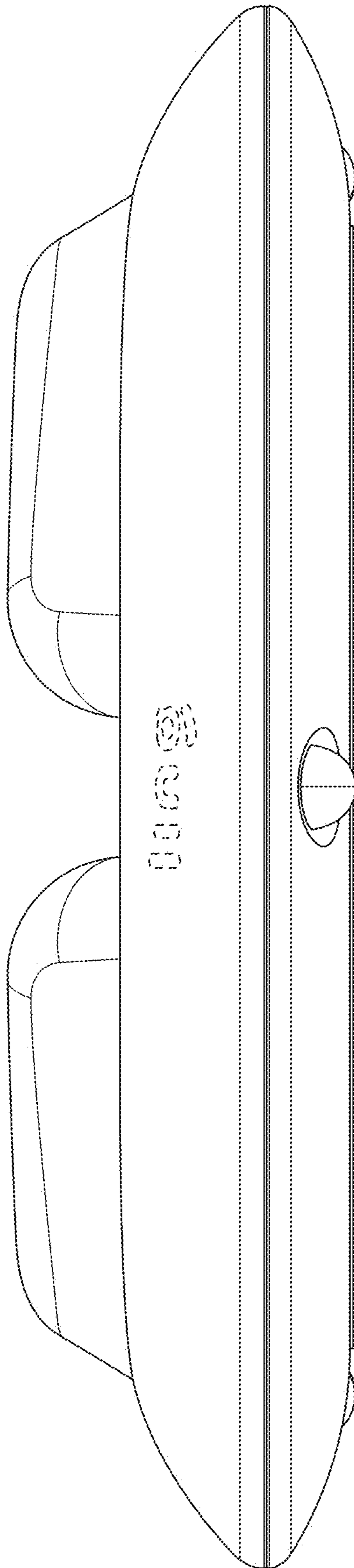


FIG. 1

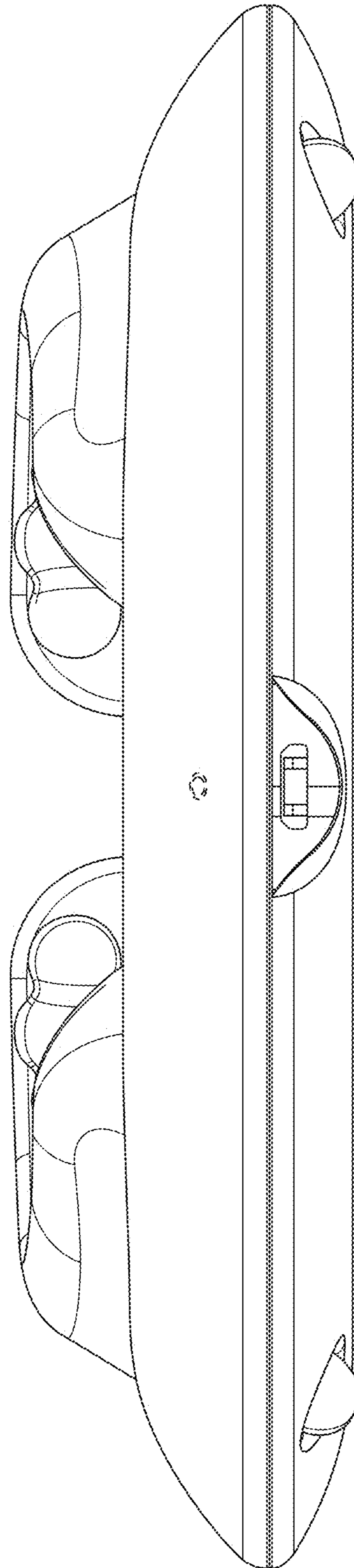


FIG. 2

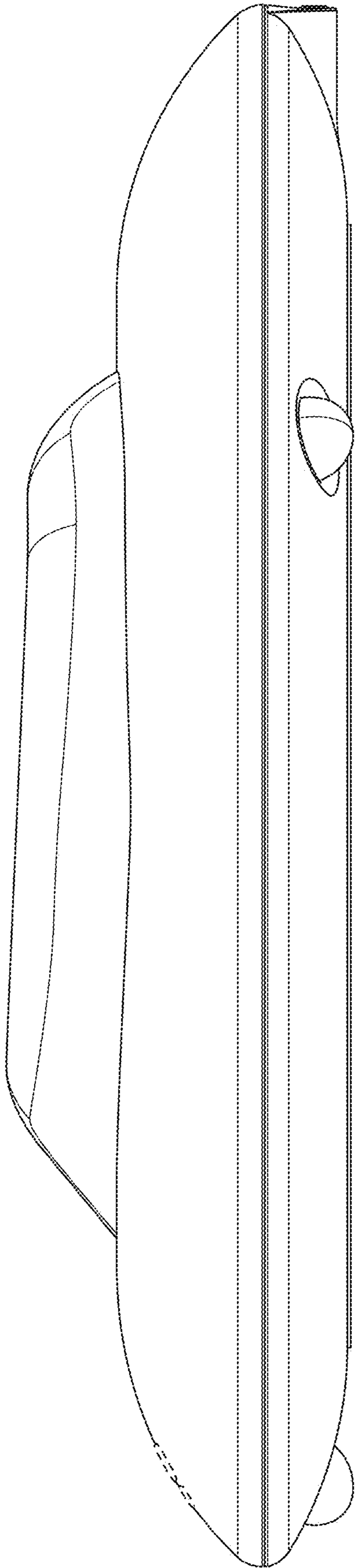


FIG. 3

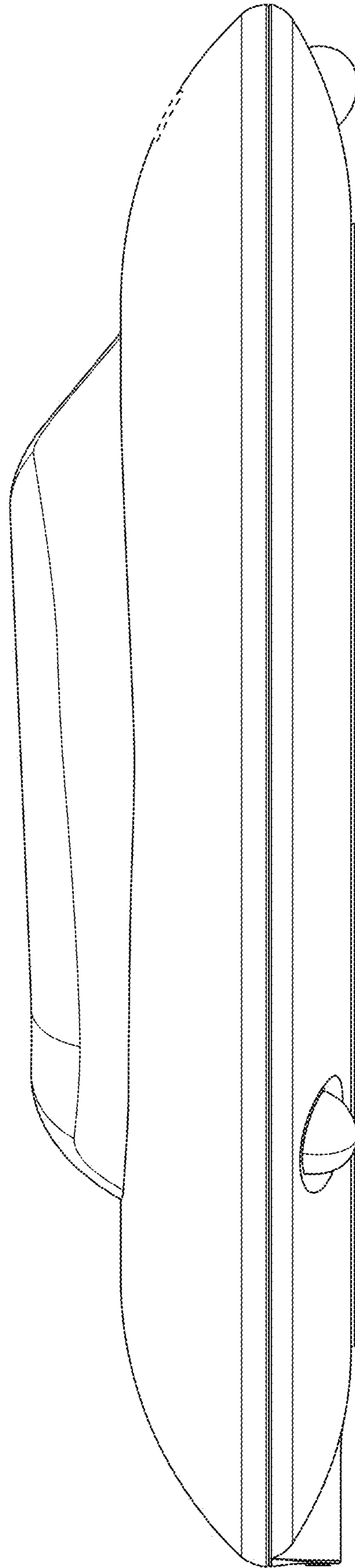


FIG. 4

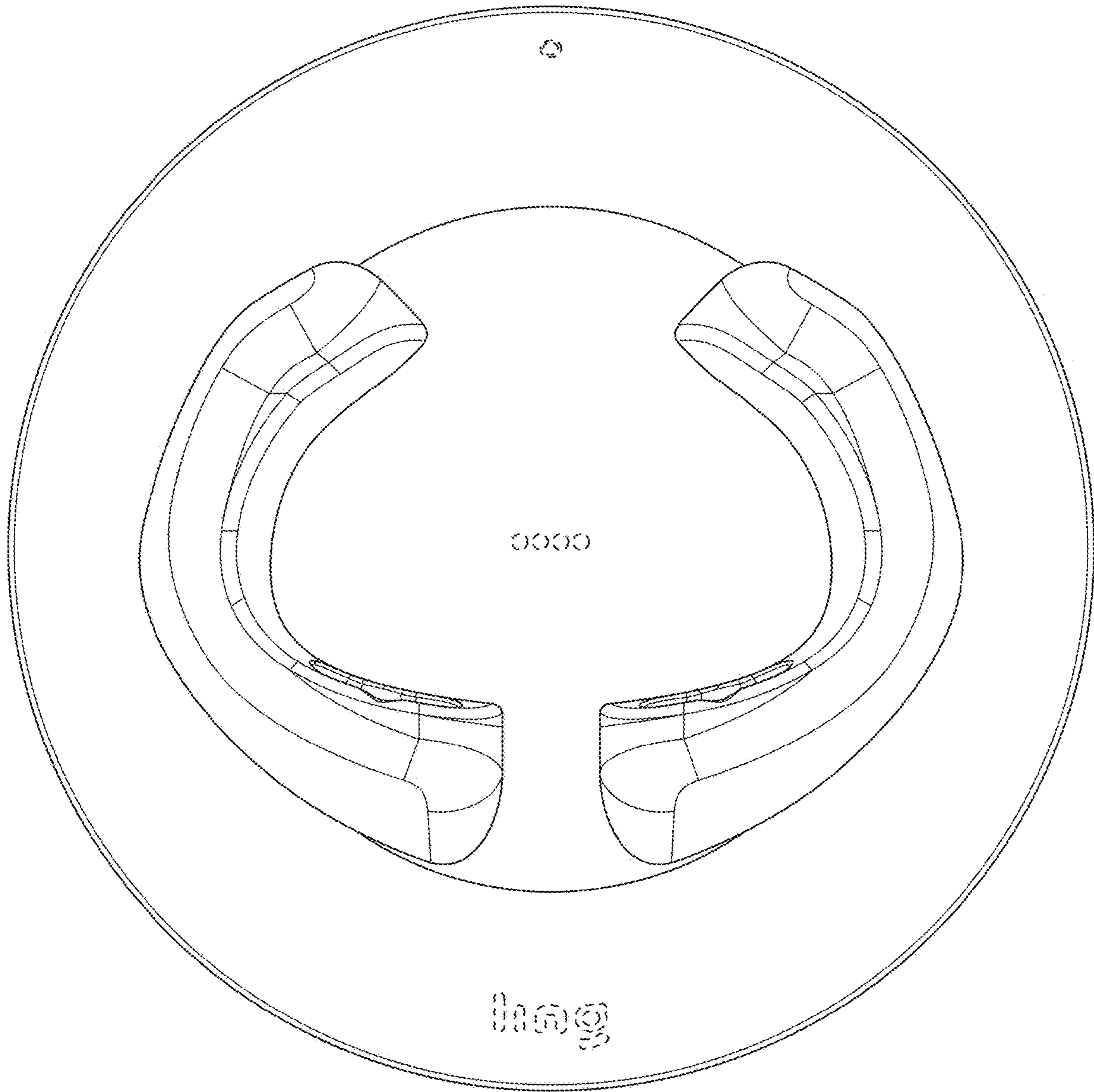


FIG. 5

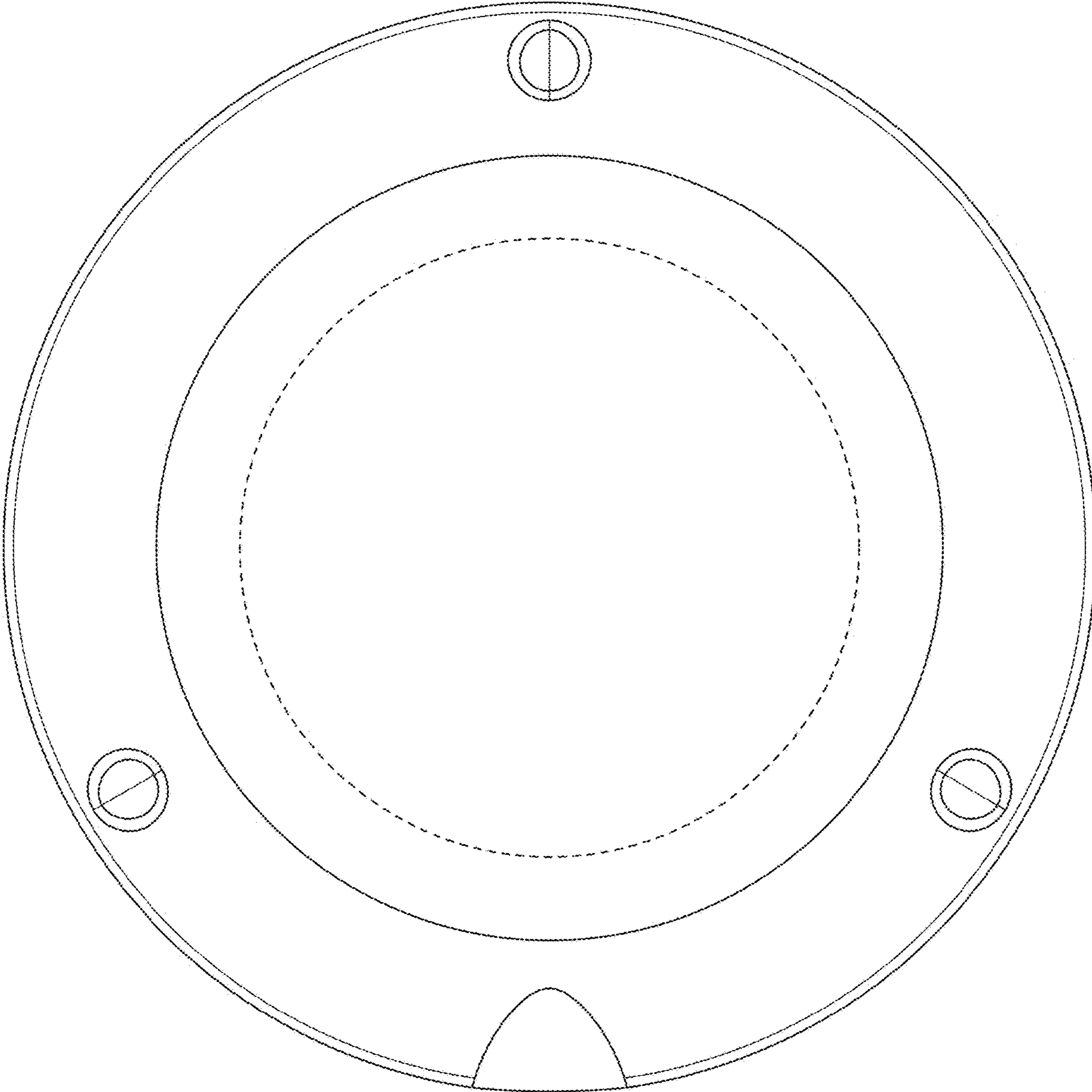


FIG. 6

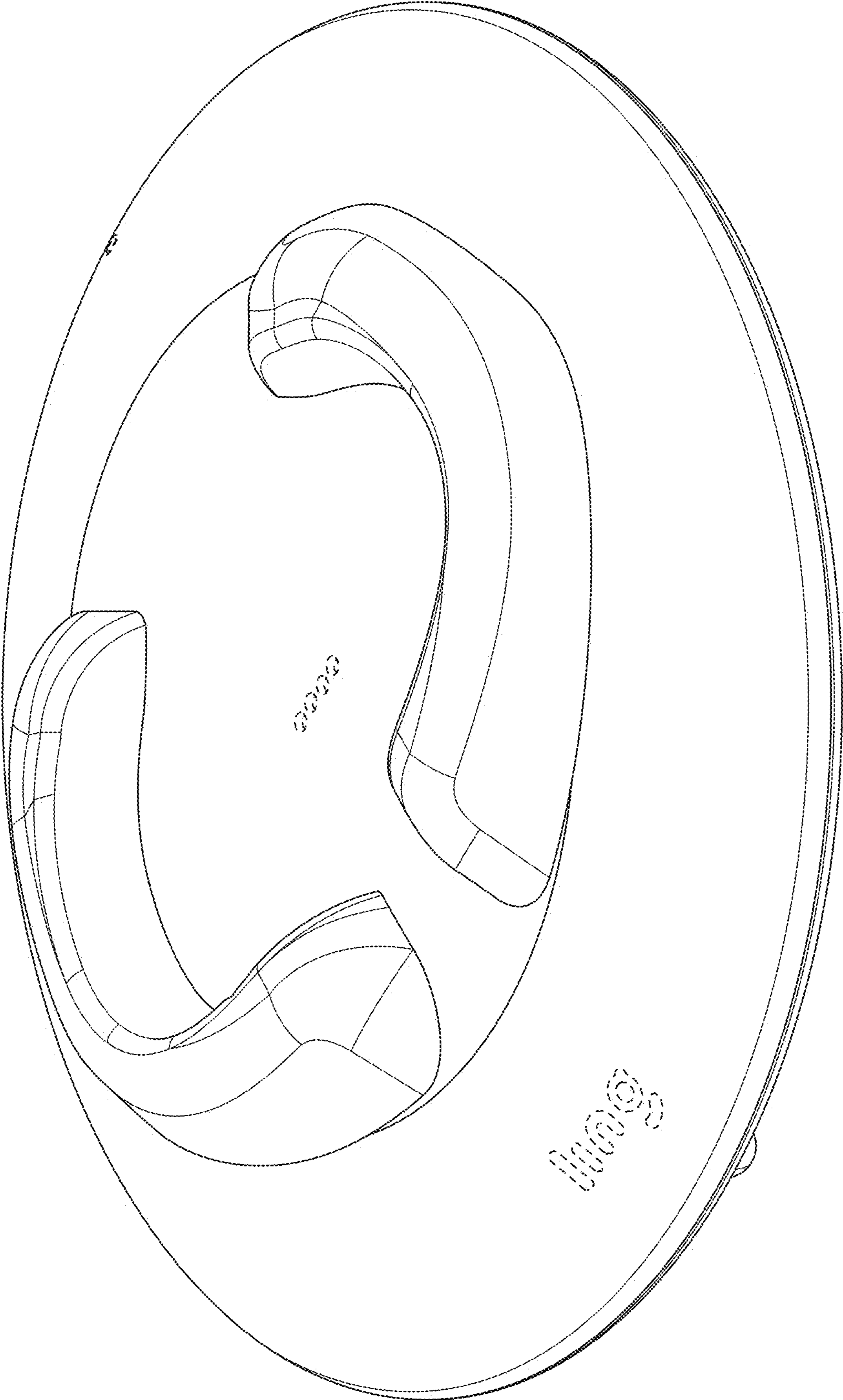


FIG. 7