



US00D897384S

(12) **United States Design Patent**  
**Lan**

(10) **Patent No.:** **US D897,384 S**

(45) **Date of Patent:** **\*\* Sep. 29, 2020**

(54) **ELECTRIC CYLINDER**

(71) Applicant: **Powertech Automation Inc.**, Taipei (TW)

(72) Inventor: **Hung-Wei Lan**, Taipei (TW)

(73) Assignee: **POWERTECH AUTOMATION INC.**, Taipei (TW)

(\*\*) Term: **15 Years**

(21) Appl. No.: **29/687,219**

(22) Filed: **Apr. 11, 2019**

(51) **LOC (12) Cl.** ..... **15-09**

(52) **U.S. Cl.**  
USPC ..... **D15/143**

(58) **Field of Classification Search**  
USPC ..... D15/1, 5, 143, 148, 149; D13/118, 122, D13/158, 162, 168  
CPC ..... F16H 25/20; F16H 25/2056; F16H 2025/203; F16H 2025/2037; F16H 2025/204; E05F 15/60; E05F 15/603  
See application file for complete search history.

(56) **References Cited**

**U.S. PATENT DOCUMENTS**

D522,546 S *	6/2006	Beadle	.....	D15/143
D535,649 S *	1/2007	Loiske	.....	D14/240
D624,101 S *	9/2010	Tseng	.....	D15/143
D624,102 S *	9/2010	Tseng	.....	D15/143
D686,257 S *	7/2013	Wu	.....	D15/143
D708,239 S *	7/2014	Lin	.....	D15/143

D735,666 S *	8/2015	Tehranchi	.....	D13/122
D767,005 S *	9/2016	Wu	.....	D15/143
D778,968 S *	2/2017	Luck	.....	D15/143
D881,247 S *	4/2020	Zhuang	.....	D15/148
2009/0151489 A1 *	6/2009	Jensen	.....	F16H 25/20 74/89.33
2010/0236342 A1 *	9/2010	Tseng	.....	F16H 25/20 74/89
2011/0132139 A1 *	6/2011	Chiang	.....	F16H 25/20 74/606 R

\* cited by examiner

*Primary Examiner* — Selina Sikder

(74) *Attorney, Agent, or Firm* — Chun-Ming Shih; HDLS IPR Services

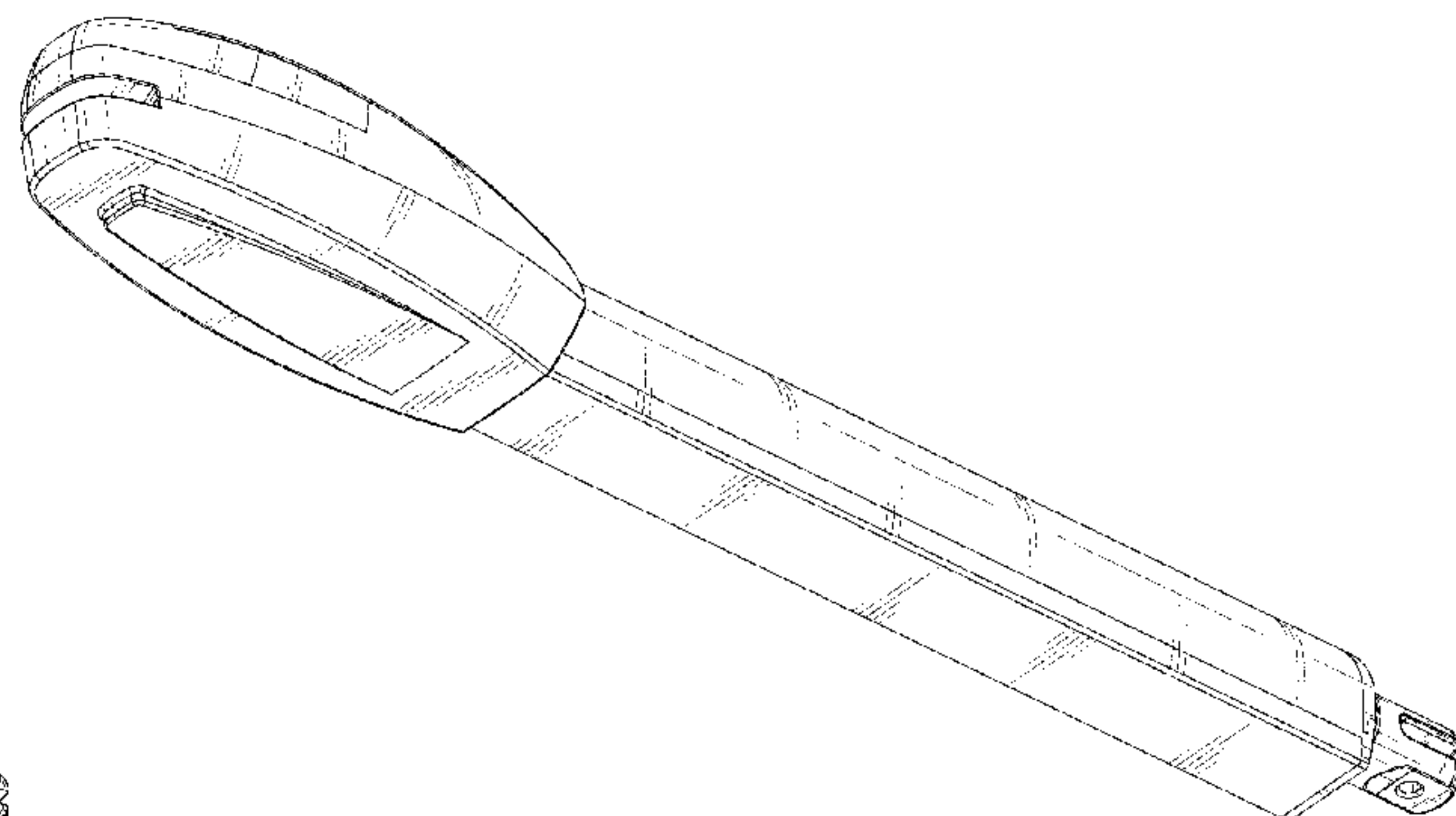
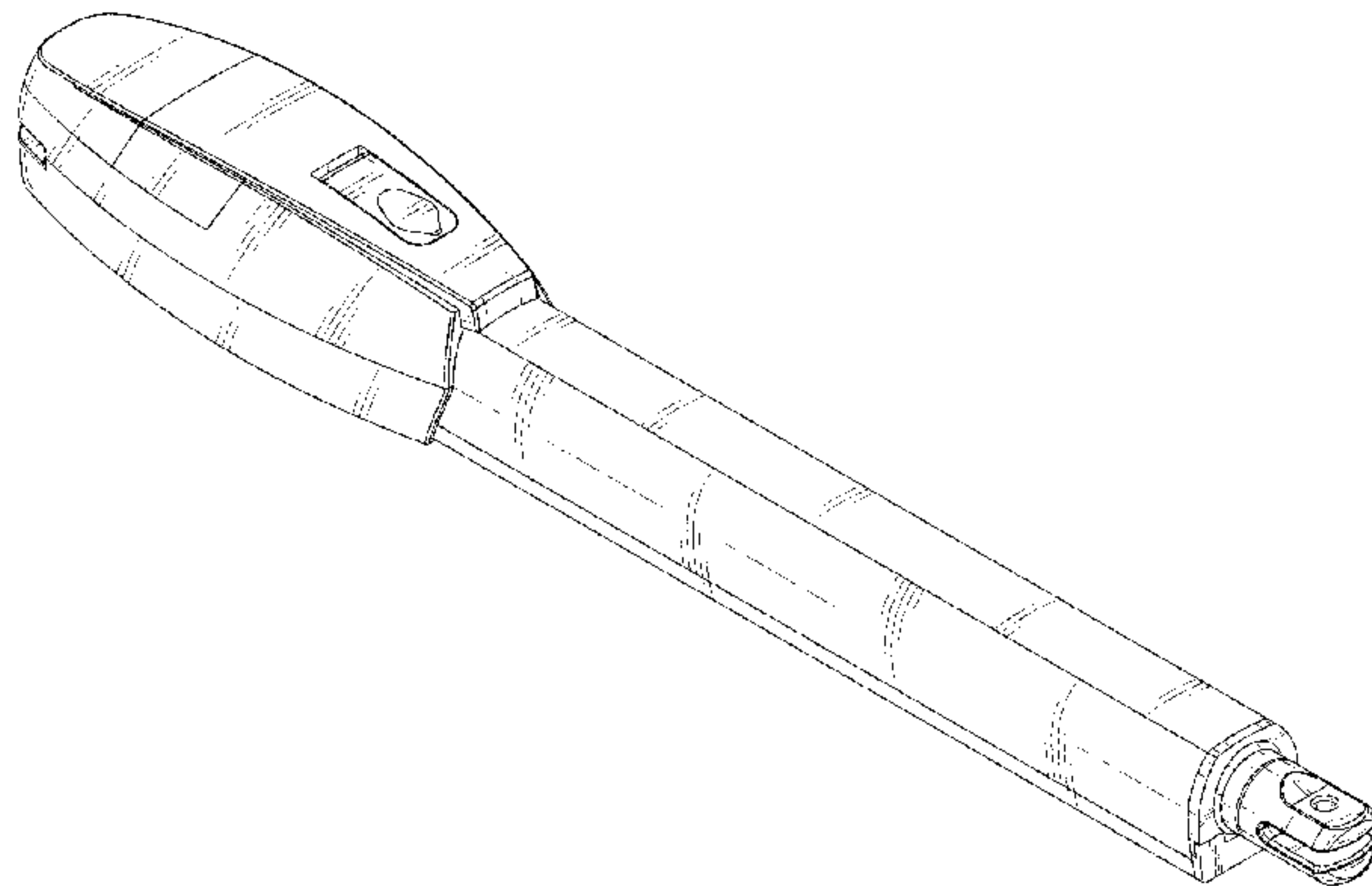
(57) **CLAIM**

The ornamental design for an electric cylinder, as shown and described.

**DESCRIPTION**

FIG. 1 is a perspective view of an electric cylinder showing my new design;  
FIG. 2 is a front view thereof;  
FIG. 3 is a rear view thereof;  
FIG. 4 is a left side view thereof;  
FIG. 5 is a right side view thereof;  
FIG. 6 is a top view thereof;  
FIG. 7 is a bottom view thereof; and,  
FIG. 8 is second perspective view showing the electric cylinder.

**1 Claim, 7 Drawing Sheets**



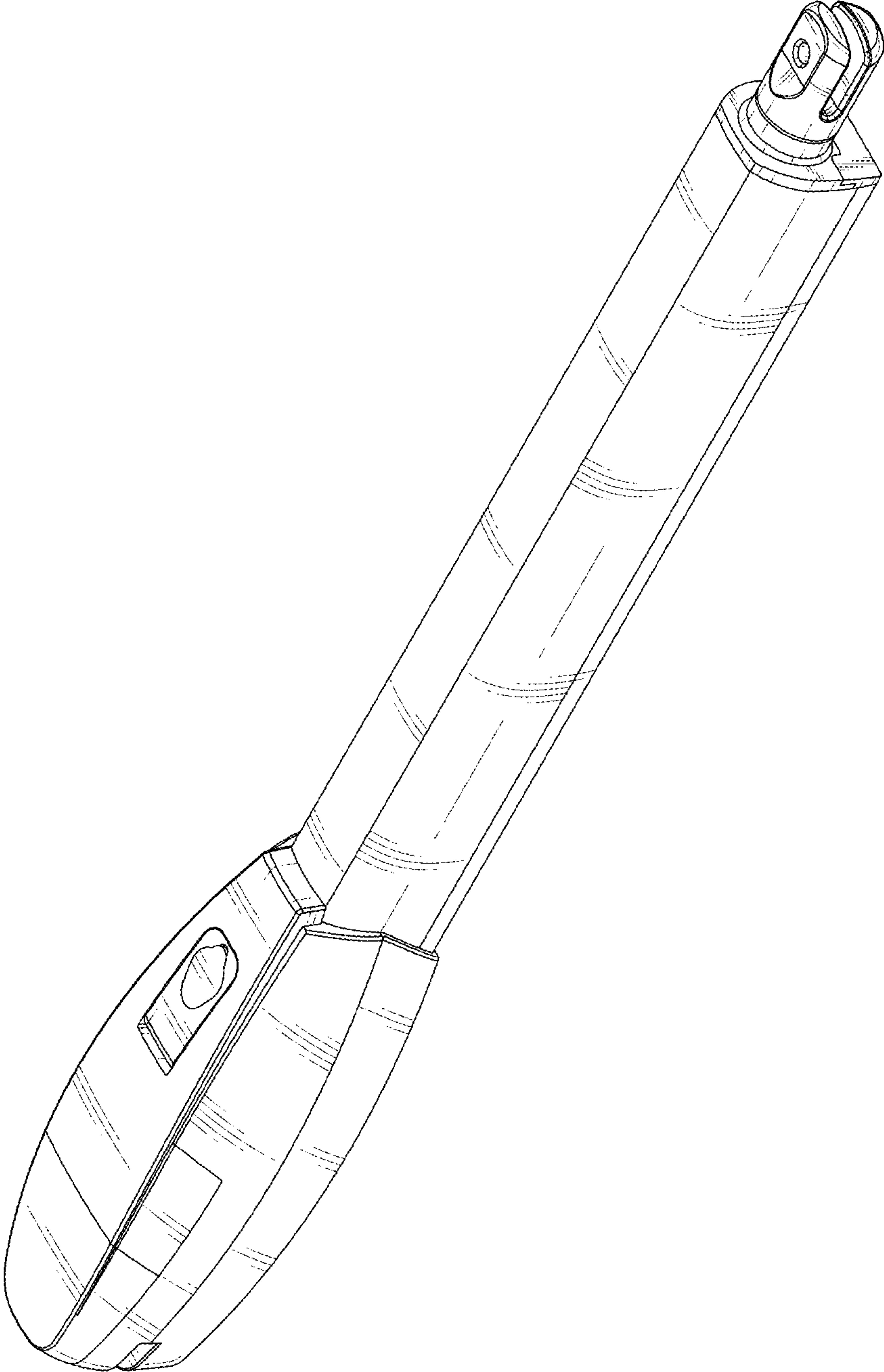


FIG.1

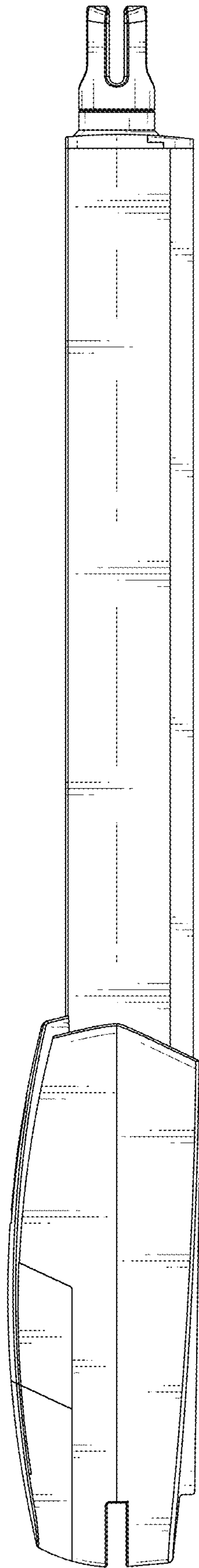


FIG.2

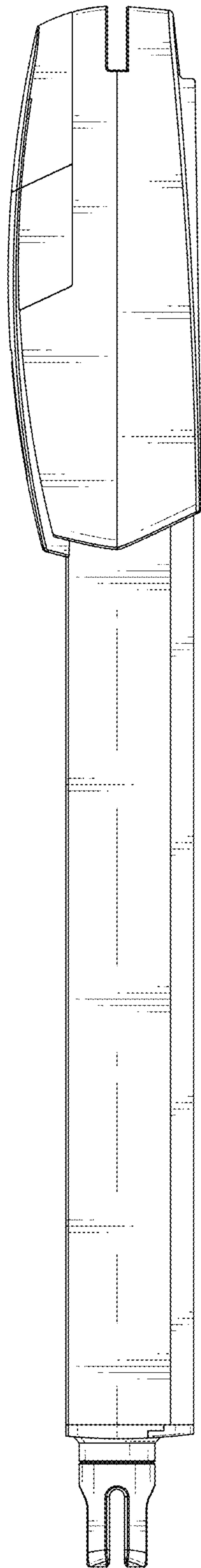


FIG.3

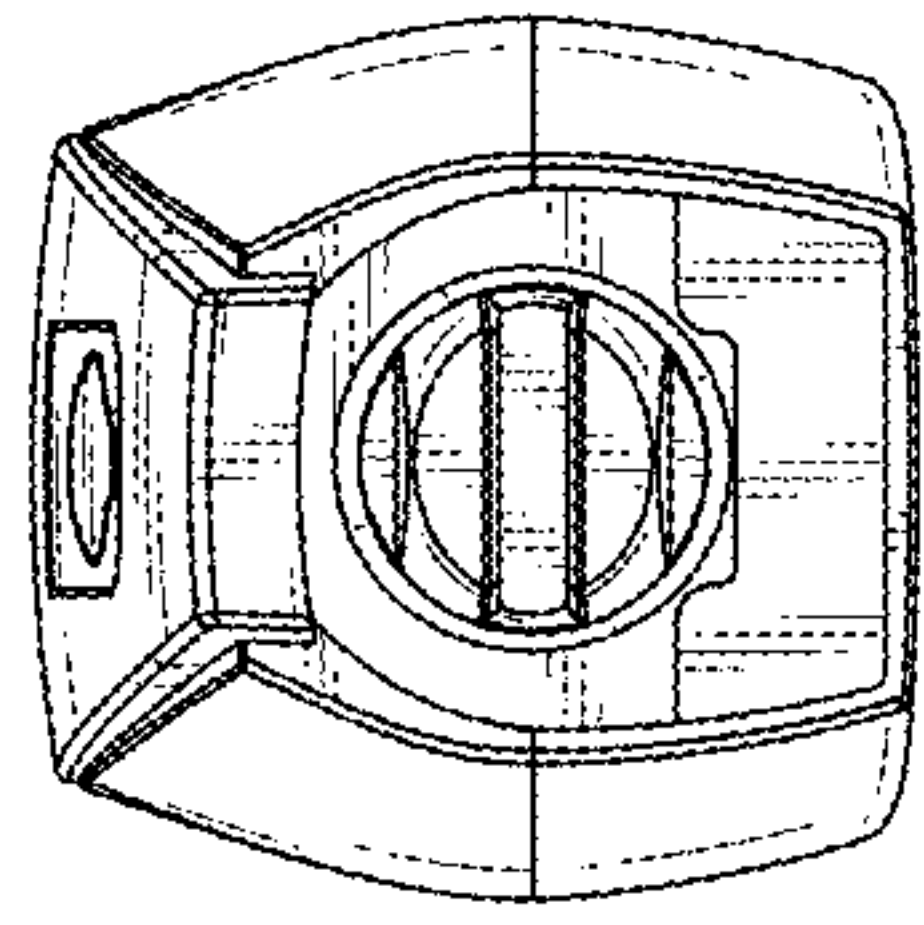


FIG.5

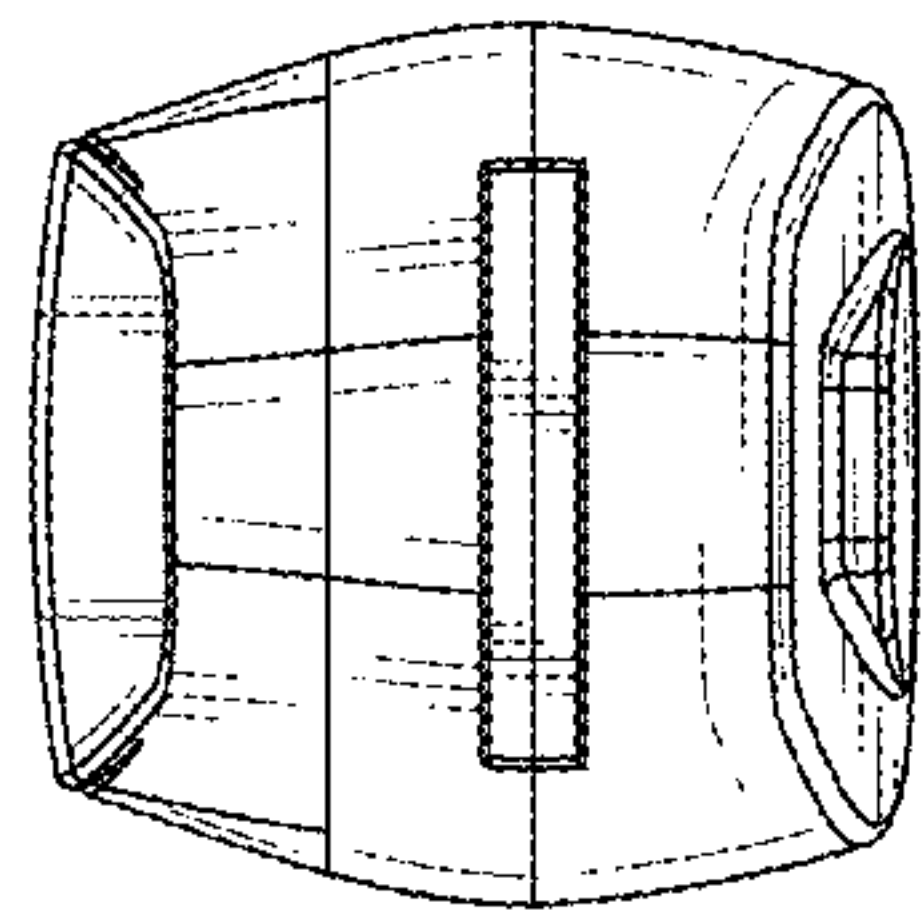


FIG.4

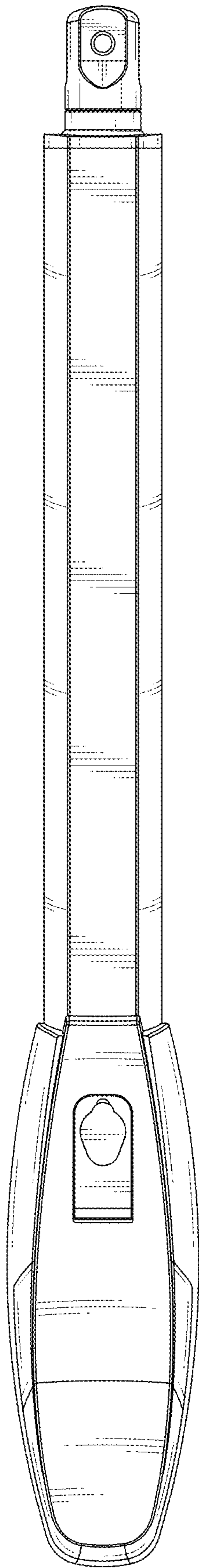


FIG.6

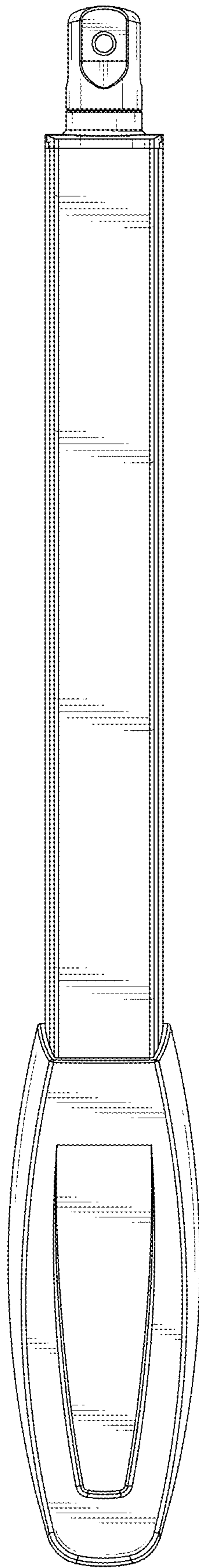


FIG.7



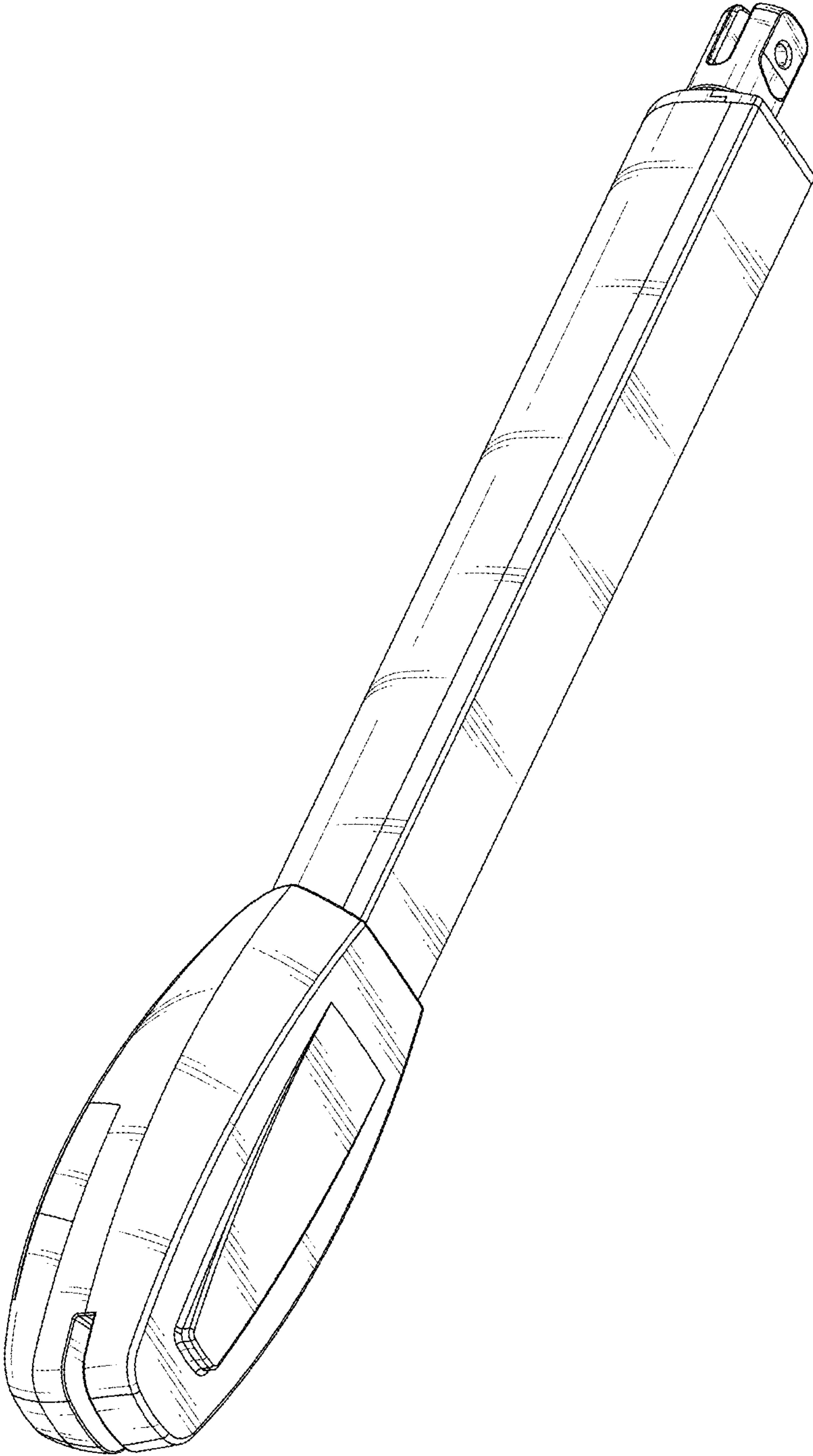


FIG.8