



US00D897383S

(12) **United States Design Patent** (10) **Patent No.:** **US D897,383 S**
Bradshaw et al. (45) **Date of Patent:** **** Sep. 29, 2020**

(54) **SLEEVE-BALL SPLIT BEARING HOUSING**
(71) Applicant: **ITT MANUFACTURING ENTERPRISES LLC.**, Wilmington, DE (US)
(72) Inventors: **Simon Bradshaw**, Seneca Falls, NY (US); **Jeremy A. Hawa**, Liverpool, NY (US); **Susan E. Sullivan**, Tyre, NY (US); **John C. Salerno**, Waterloo, NY (US); **Cynthia A. Kohberger**, Tyre, NY (US)

D549,251 S 8/2007 Salomaa et al.
D549,252 S 8/2007 Salomaa et al.
D549,253 S 8/2007 Salomaa et al.
D549,254 S 8/2007 Salomaa et al.
D549,751 S 8/2007 Salomaa et al.
D562,849 S 2/2008 Buitenhuis et al.
D573,159 S 7/2008 Etter
D573,618 S 7/2008 Peck et al.
D583,396 S 12/2008 Playford et al.
D583,841 S 12/2008 Playford et al.
D585,921 S 2/2009 Peck et al.
D616,004 S 5/2010 Andersson et al.
D710,306 S * 8/2014 Ohashi D13/122

(Continued)

(73) Assignee: **ITT Manufacturing Enterprises LLC**, Wilmington, DE (US)

FOREIGN PATENT DOCUMENTS

(**) Term: **15 Years**

EM 001629742-0002 10/2009
EP 3364036 A1 * 2/2017

(21) Appl. No.: **29/602,615**

Primary Examiner — Michael C Stout
Assistant Examiner — Fritzgerald L Butac

(22) Filed: **May 2, 2017**

(74) *Attorney, Agent, or Firm* — Moritt Hock & Hamroff LLP; Bret P. Shapiro

(51) **LOC (12) Cl.** **15-09**

(52) **U.S. Cl.**
USPC **D15/123; D15/143**

(57) **CLAIM**

(58) **Field of Classification Search**
USPC D15/7, 123, 138, 143
CPC F16C 17/10; F16C 23/045; F16C 23/084;
F16C 35/02; F16C 35/047
See application file for complete search history.

We claim the ornamental design of a sleeve-ball split bearing housing, as shown and described herein.

DESCRIPTION

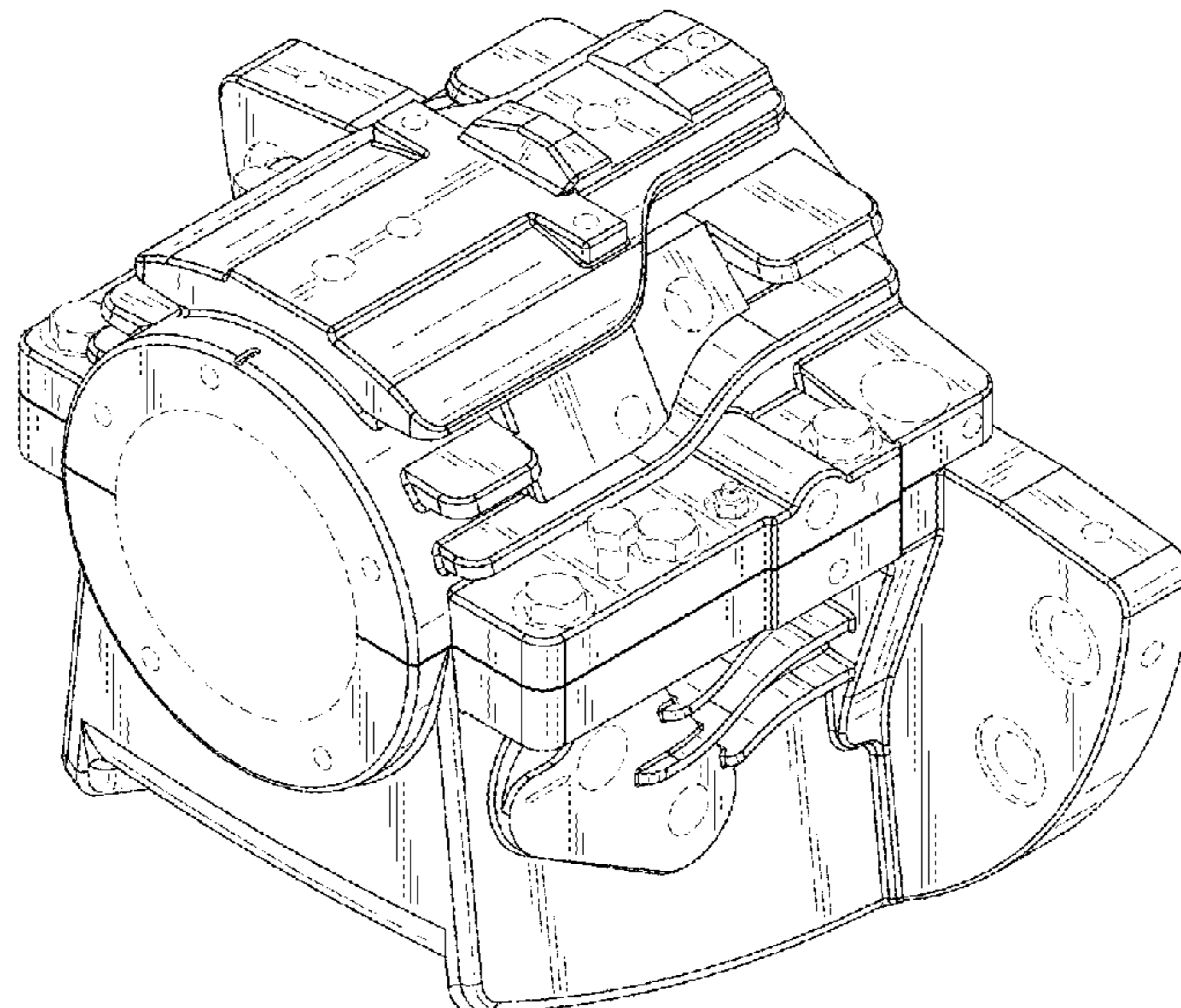
(56) **References Cited**

U.S. PATENT DOCUMENTS

3,873,167 A 3/1975 Anderson
D269,786 S 7/1983 Ostling
D297,942 S 10/1988 Somarakis
D343,179 S 1/1994 Waskiewicz
D367,069 S 2/1996 Thom, Jr. et al.
D376,160 S 12/1996 Waskiewicz
D427,217 S 6/2000 Ostling
D446,230 S 8/2001 Olsson
D549,250 S 8/2007 Salomaa et al.

FIG. 1 is a top rear perspective view of a sleeve-ball split bearing housing, according to the new design;
FIG. 2 is a bottom rear perspective view thereof;
FIG. 3 is a rear elevation view thereof;
FIG. 4 is a front elevation view thereof;
FIG. 5 is a right side elevation view thereof;
FIG. 6 is a left side elevation view thereof;
FIG. 7 is a top plan view thereof; and,
FIG. 8 is a bottom plan view thereof.
The broken lines show portions of a sleeve-ball split bearing housing which form no part of the claimed design.

1 Claim, 4 Drawing Sheets



(56)

References Cited

U.S. PATENT DOCUMENTS

D724,633	S	*	3/2015	Foster	D15/123
D729,291	S		5/2015	Hawa et al.	
D729,292	S	*	5/2015	Hawa	D15/123
D807,924	S	*	1/2018	Wilkie	D15/7
D832,900	S	*	11/2018	Tuttle	D15/143
2003/0063826	A1		4/2003	Asco et al.	
2004/0096134	A1		5/2004	Ward	

* cited by examiner

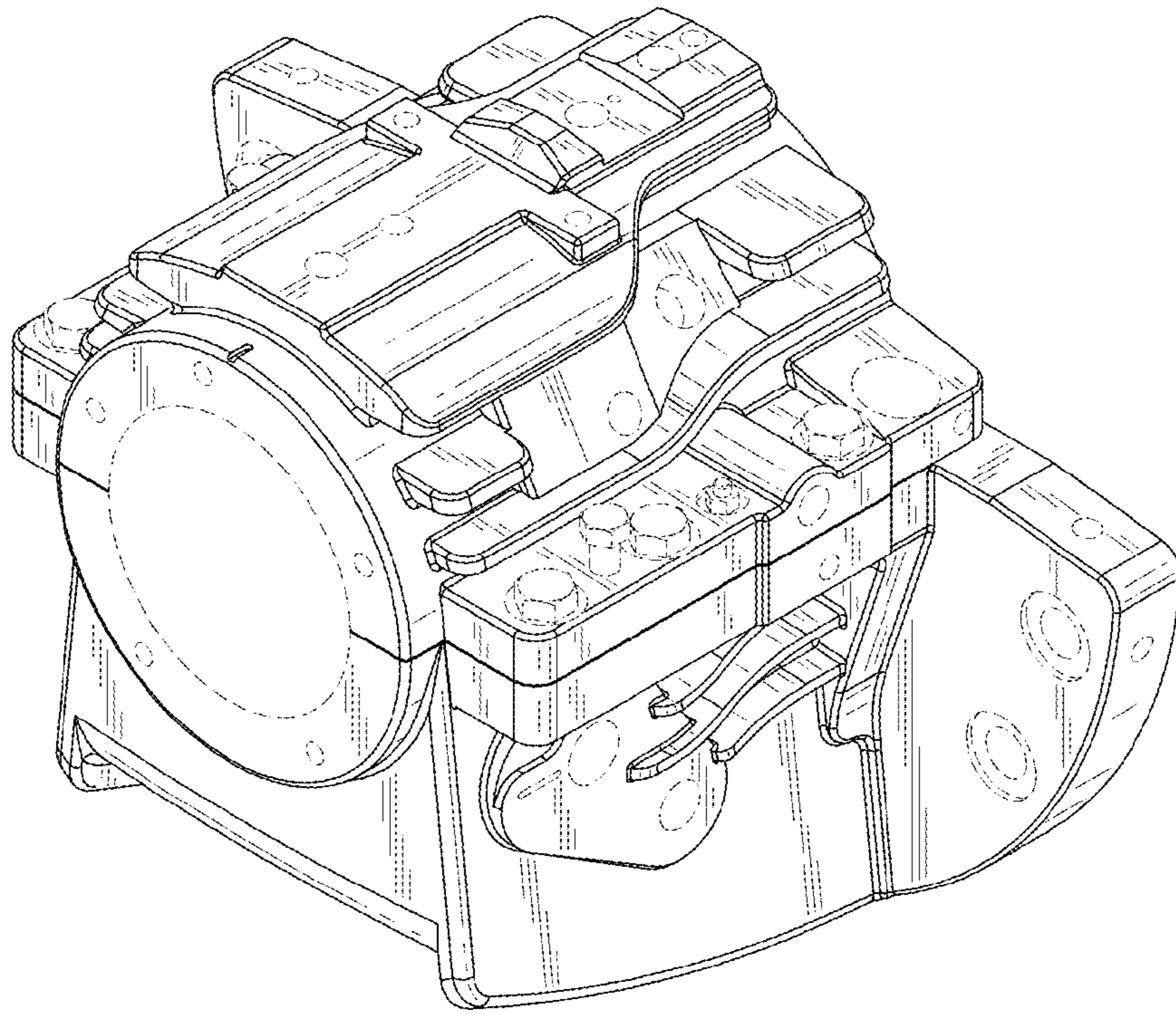


FIG. 1

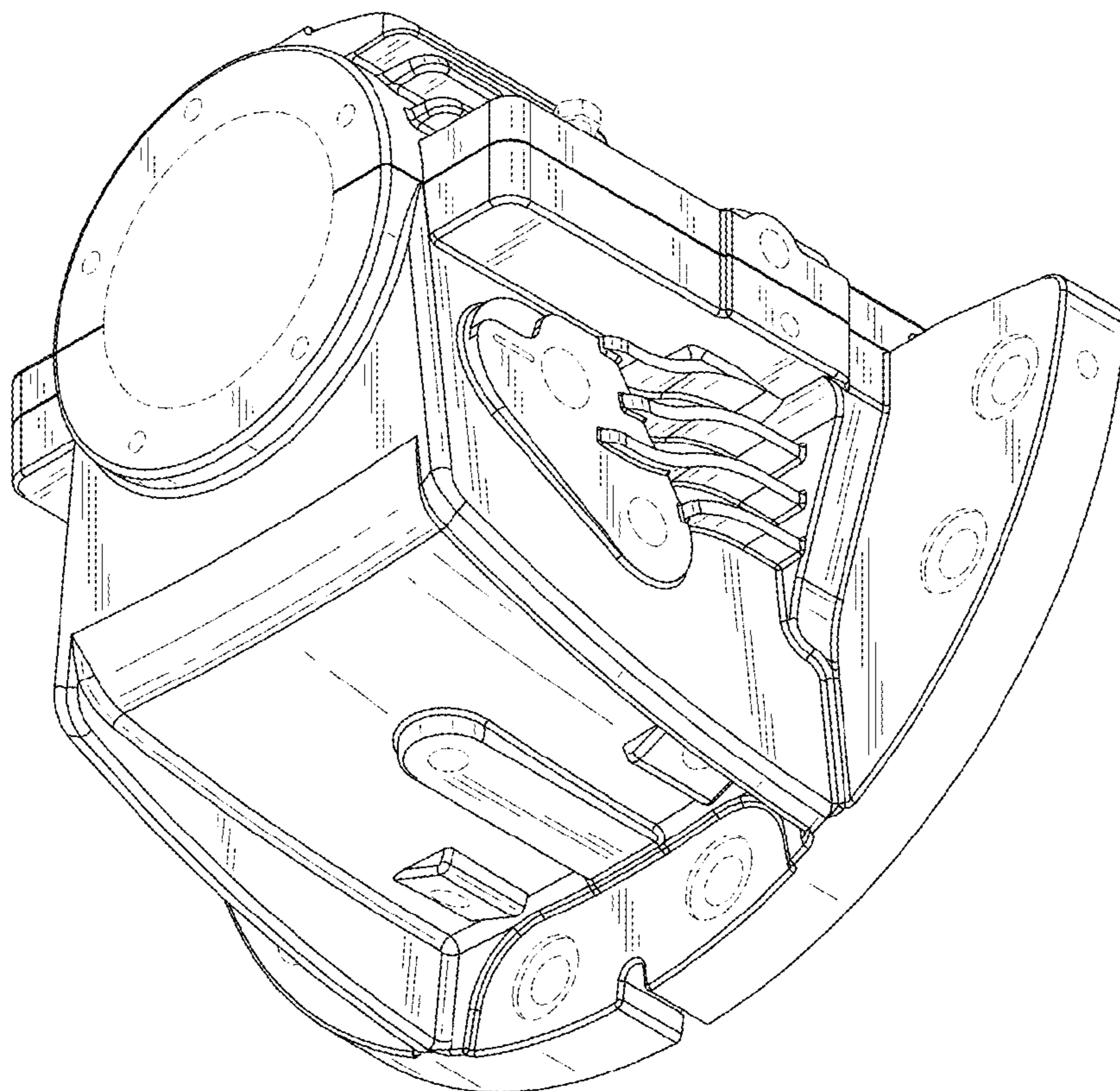


FIG. 2

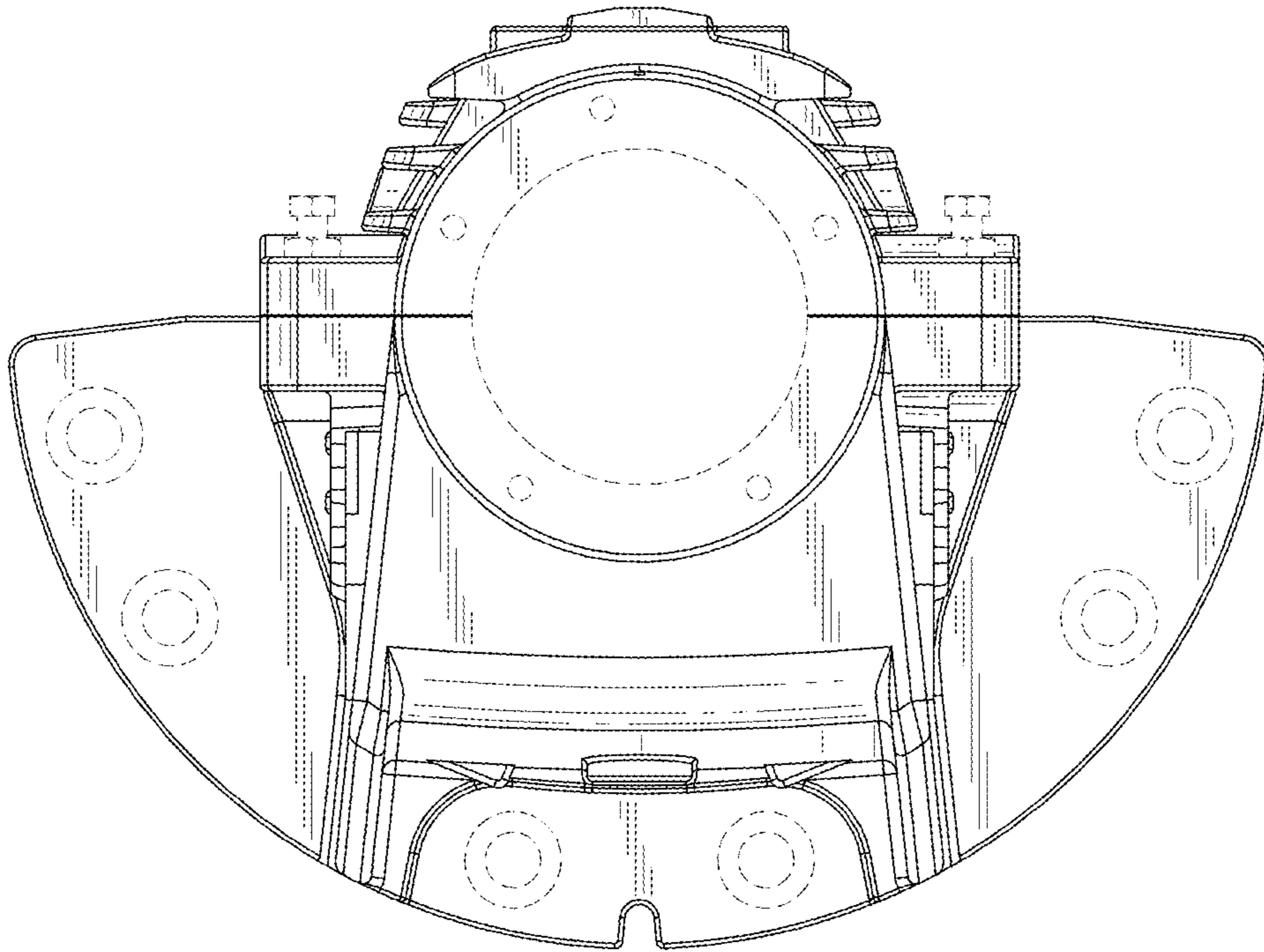


FIG. 3

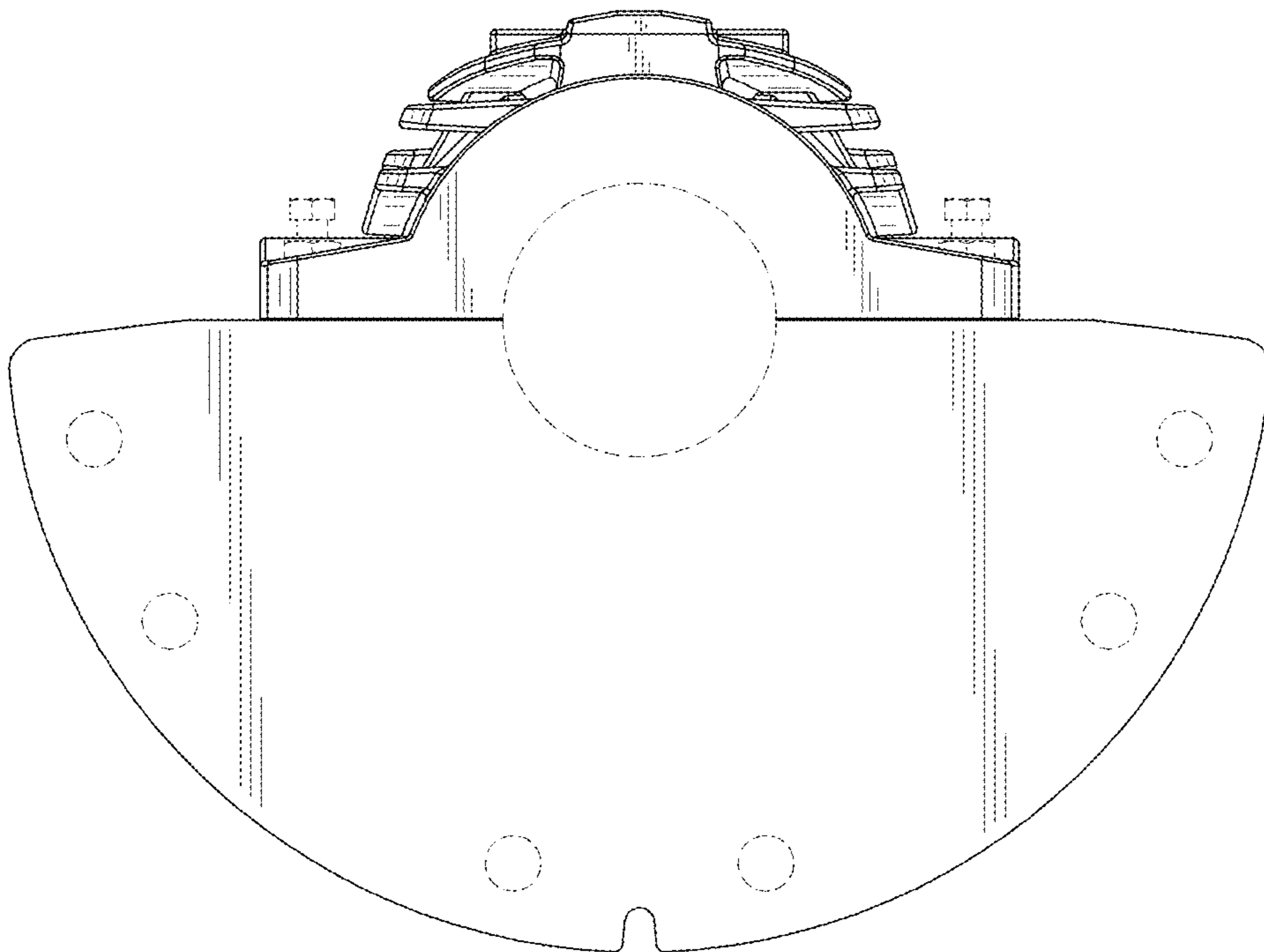


FIG. 4

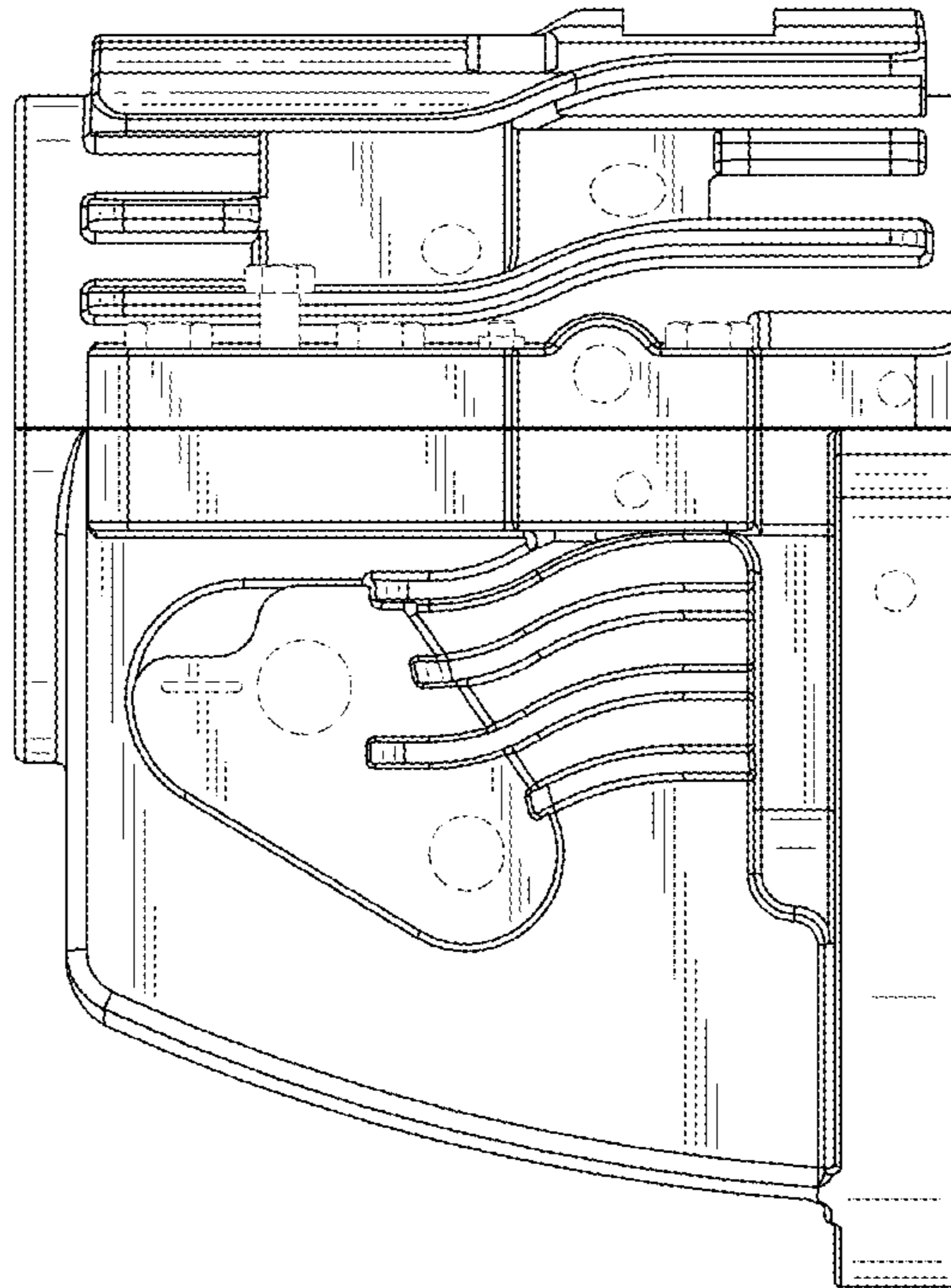


FIG. 5

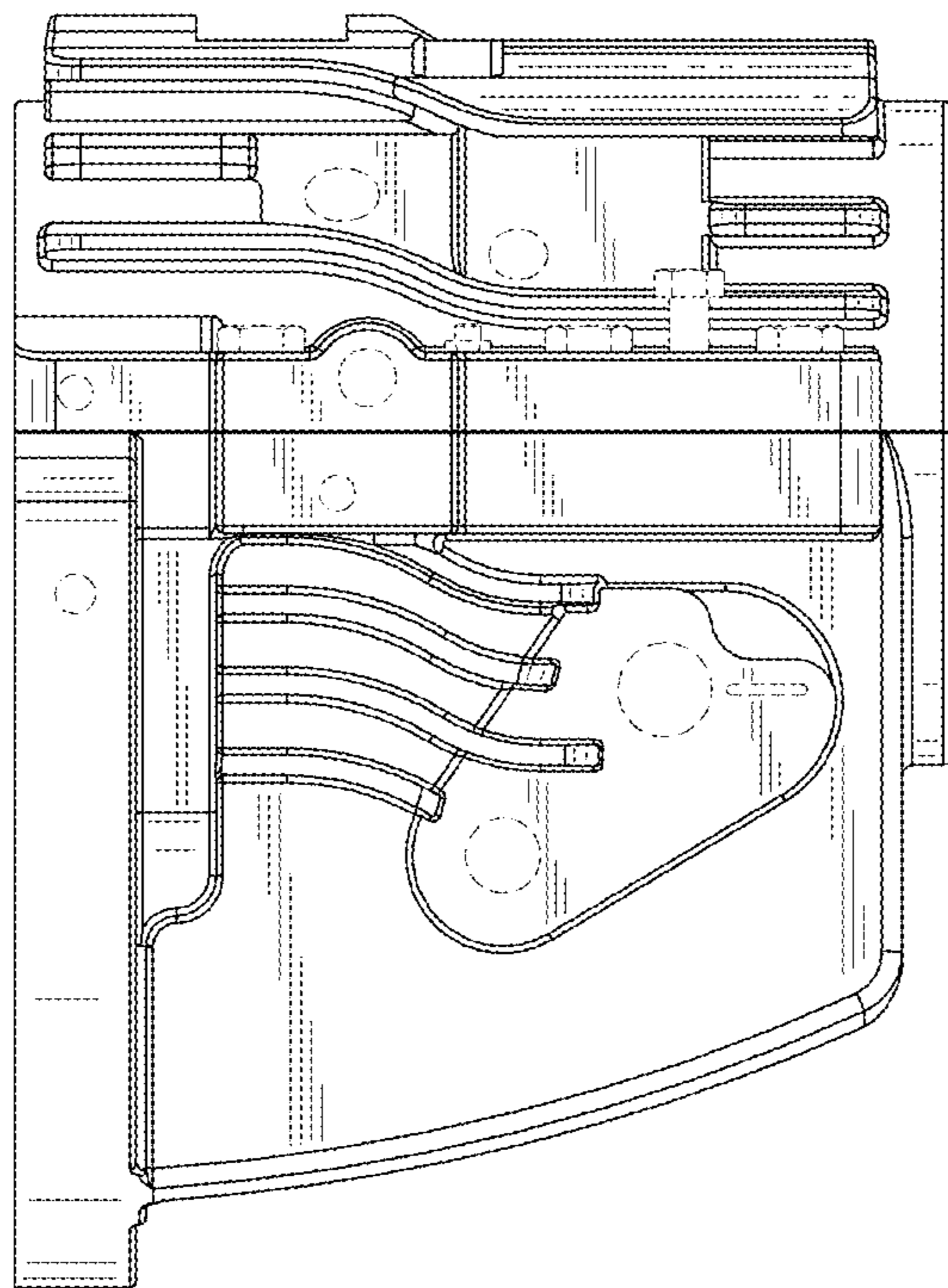


FIG. 6

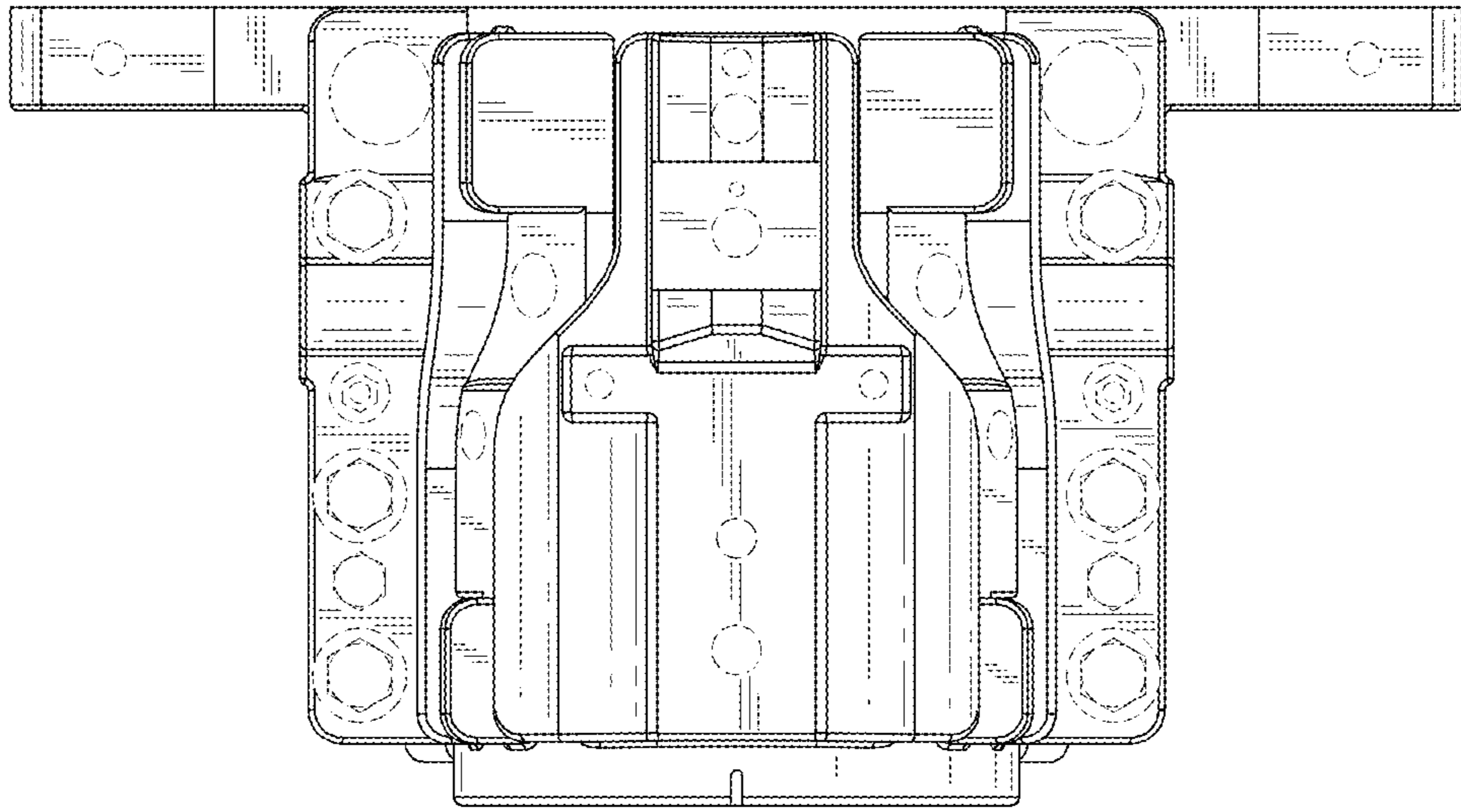


FIG. 7

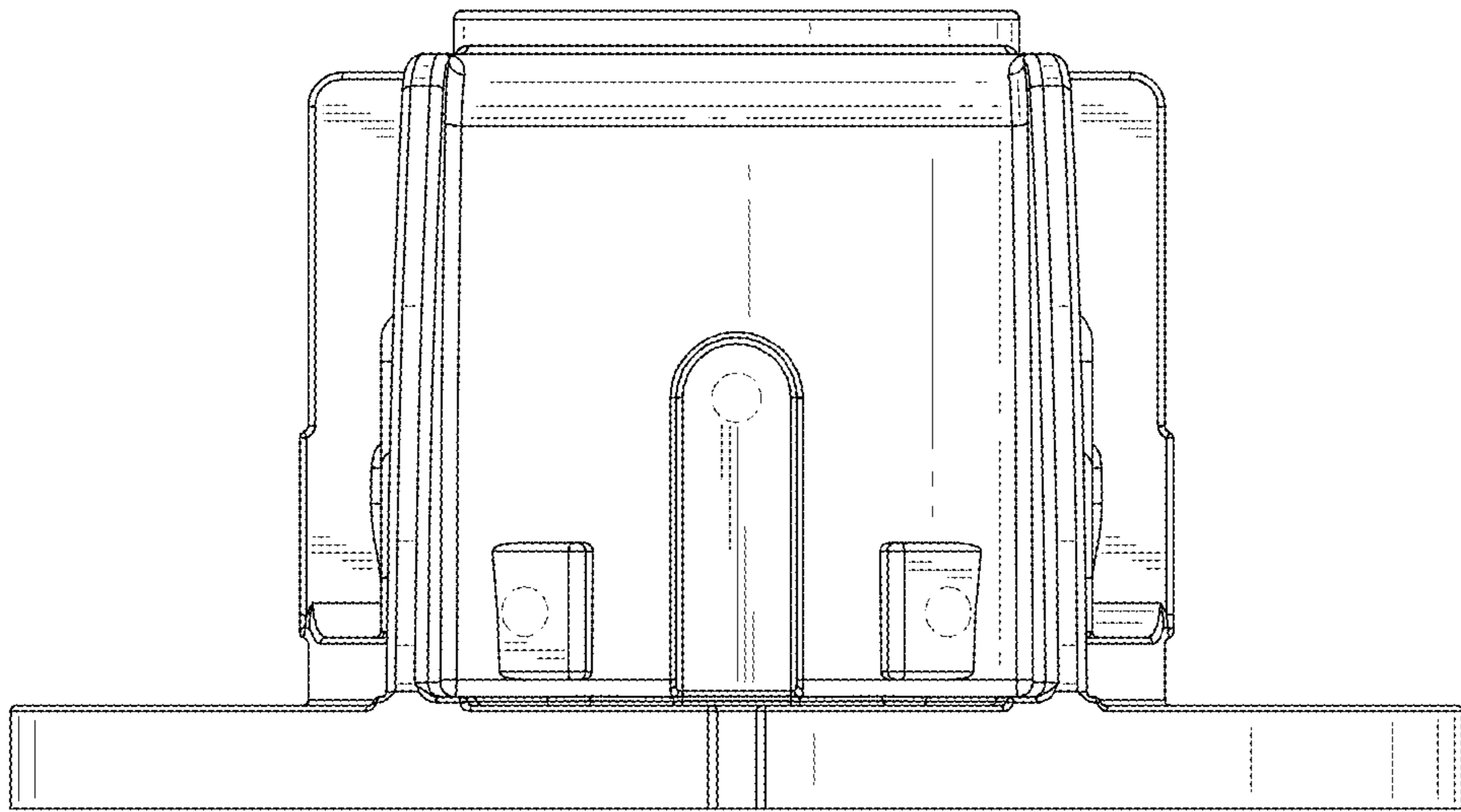


FIG. 8