



US00D897381S

(12) **United States Design Patent**
Hemry et al.

(10) **Patent No.:** **US D897,381 S**

(45) **Date of Patent:** **** Sep. 29, 2020**

- (54) **GRILLE FOR A VEHICLE**
- (71) Applicant: **CATERPILLAR PAVING PRODUCTS INC.**, Brooklyn Park, MN (US)
- (72) Inventors: **Michael S. Hemry**, Maple Grove, MN (US); **Bradley D. Anderson**, Rogers, MN (US); **Francisco Romero Ruiz**, Edina, MN (US)
- (73) Assignee: **Caterpillar Paving Products Inc.**, Brooklyn Park, MN (US)

D635,158 S *	3/2011	Berning	D15/28
D635,160 S *	3/2011	Berning	D15/28
D648,357 S *	11/2011	Hagele	D15/27
D758,455 S *	6/2016	Maibach	D15/14
D772,309 S *	11/2016	Underhill	D15/31
D805,430 S *	12/2017	Strong	D12/15
D821,262 S *	6/2018	Strong	D12/15
D846,599 S *	4/2019	Ryan	D15/31
D858,394 S *	9/2019	Von Holzhausen	D12/196
D867,403 S *	11/2019	Ryan	D15/28
D867,950 S *	11/2019	Grewer	D12/196
D870,008 S *	12/2019	Von Holzhausen	D12/196
D880,537 S *	4/2020	Roach	D15/31
D880,538 S *	4/2020	Schwalbe	D15/31

* cited by examiner

(**) Term: **15 Years**

Primary Examiner — Mark A Goodwin

Assistant Examiner — Benjamin M Weeks

(21) Appl. No.: **29/699,935**

(74) *Attorney, Agent, or Firm* — Finnegan, Henderson, Farabow, Garrett & Dunner, LLP

(22) Filed: **Jul. 30, 2019**

(51) **LOC (12) Cl.** **15-03**

(52) **U.S. Cl.**
USPC **D15/31**

(57) **CLAIM**

The ornamental design for a grille for a vehicle, as shown and described.

- (58) **Field of Classification Search**
USPC D15/31, 10, 13, 23–26, 28; D12/15, 93, D12/94, 1, 5, 22, 98, 196, 14; 414/245, 414/685, 688, 722, 724, 493
CPC A01B 51/026; B62D 49/02; B62D 33/06; B62D 33/0604; B62D 33/0617; B62D 25/10; B60K 15/063; B60K 15/073; B60K 2015/0637
See application file for complete search history.

DESCRIPTION

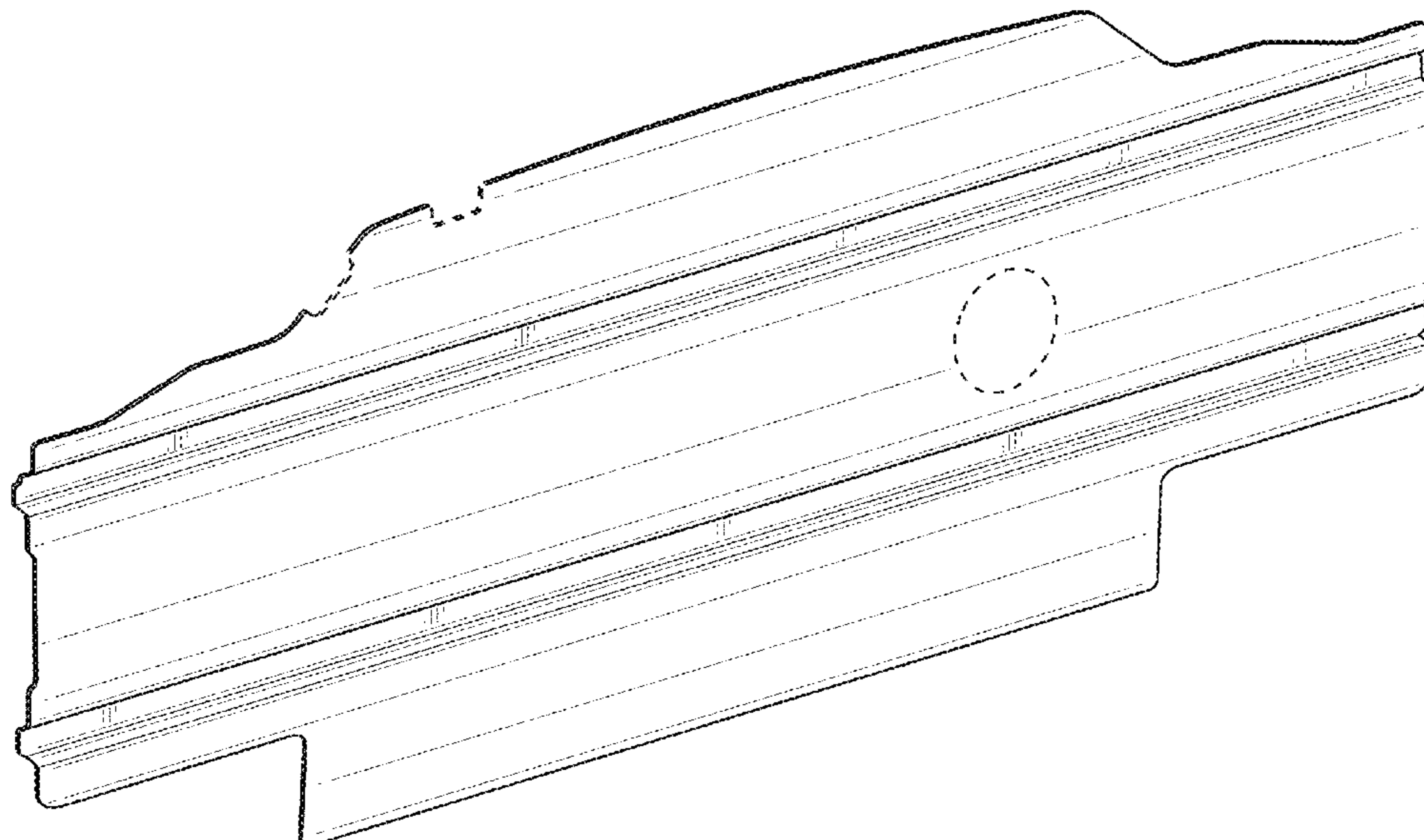
FIG. 1 is a front, left, top perspective view of a grille for a vehicle showing our new design;
 FIG. 2 is a rear, right, bottom perspective view thereof;
 FIG. 3 is a front elevation view thereof;
 FIG. 4 is a rear elevation view thereof;
 FIG. 5 is a left side view thereof;
 FIG. 6 is a right side view thereof;
 FIG. 7 is a top plan view thereof;
 FIG. 8 is a bottom plan view thereof; and,
 FIG. 9 is a front, left, top perspective view of the grille for a vehicle of FIG. 1 shown attached to an unclaimed vehicle. The broken lines of even length shown in FIGS. 1-9 illustrate portions of the grille and vehicle which form no part of the claimed design.

(56) **References Cited**

U.S. PATENT DOCUMENTS

D424,495 S *	5/2000	Damon	D12/196
D459,736 S *	7/2002	Hohnl	D15/33
D478,854 S *	8/2003	Platto	D12/196
D531,946 S *	11/2006	Angelo	D12/196
D531,947 S *	11/2006	Angelo	D12/196
D540,728 S *	4/2007	Kitazumi	D12/196

1 Claim, 7 Drawing Sheets



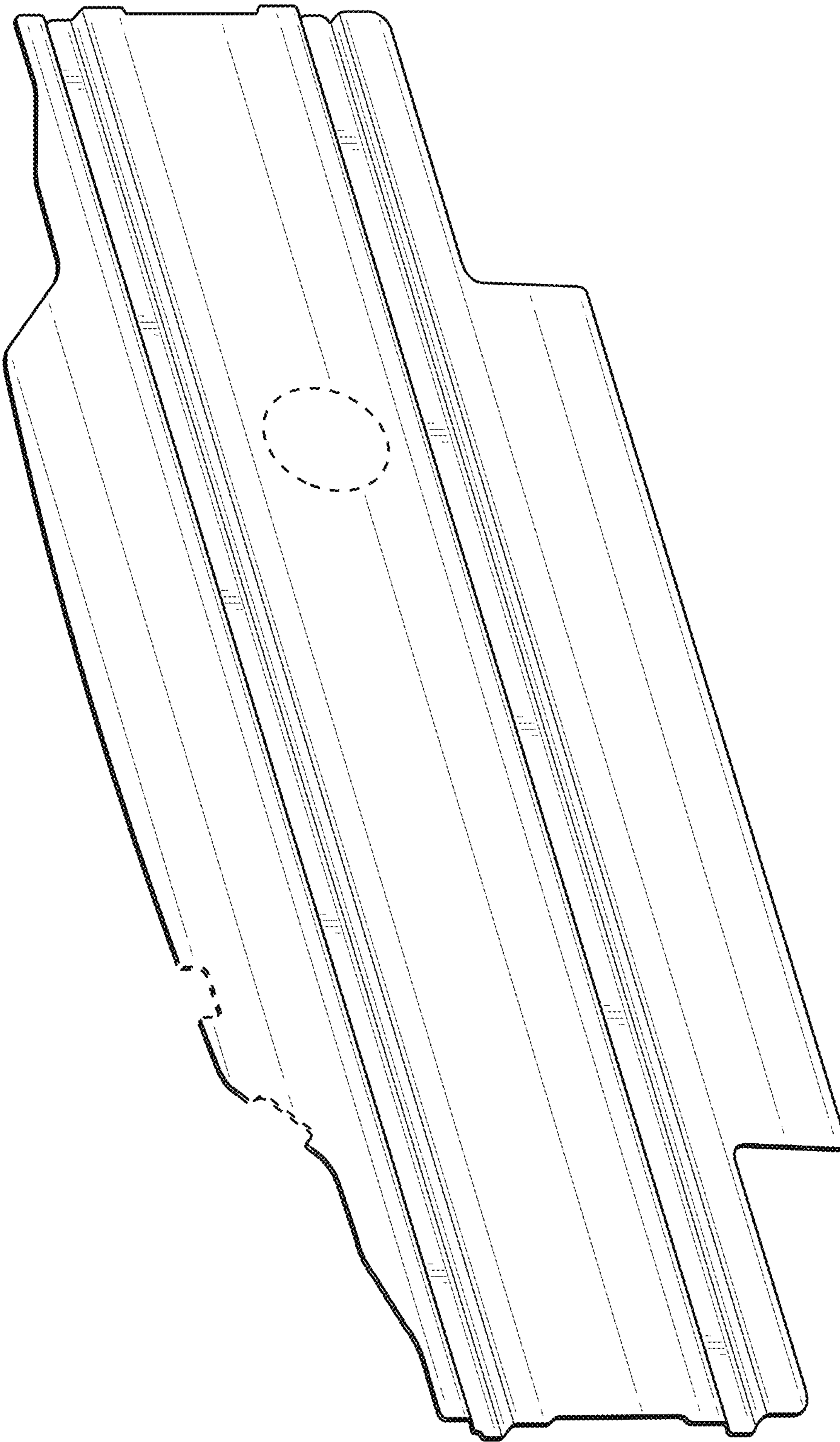


FIG. 1

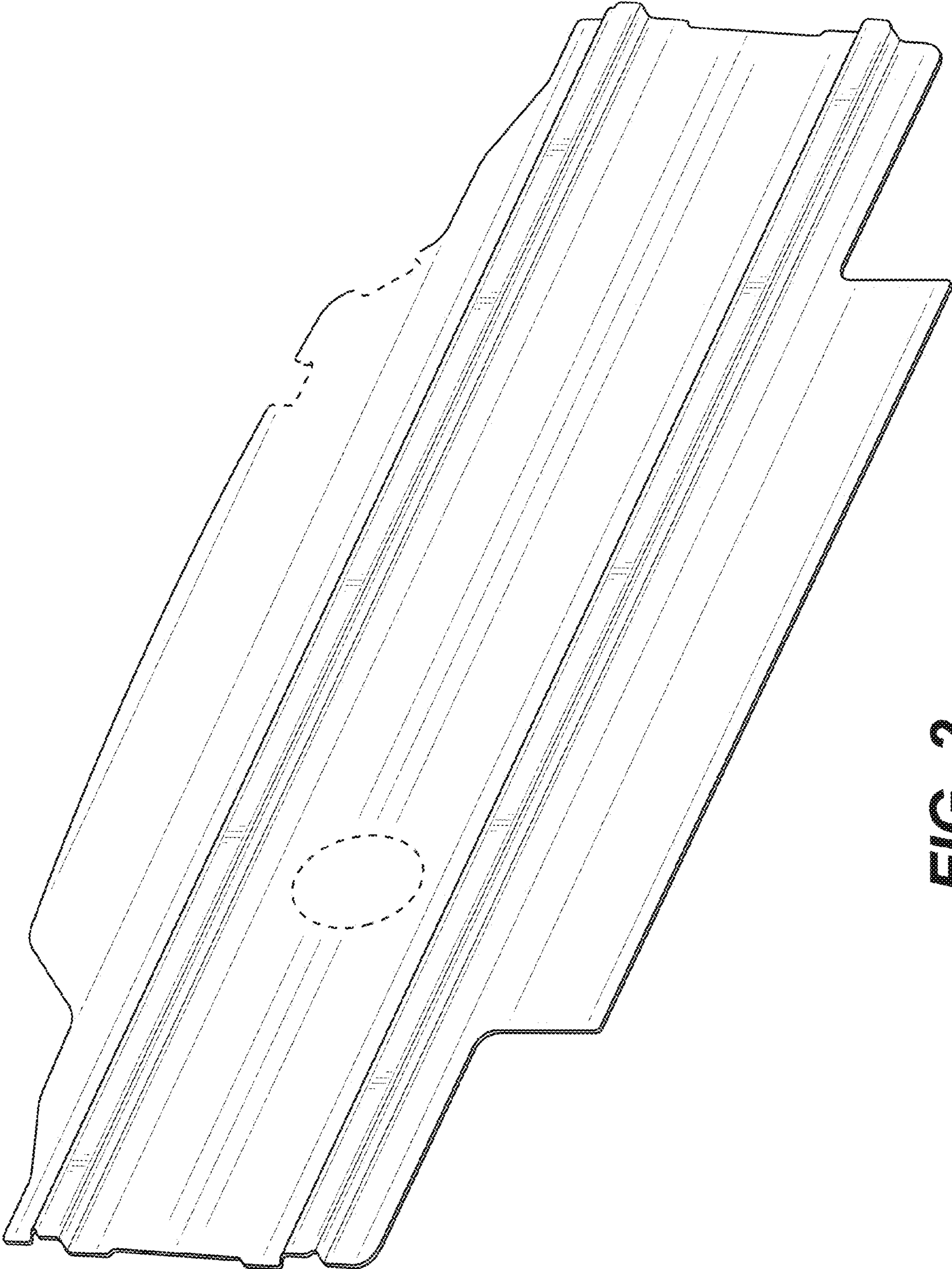


FIG. 2

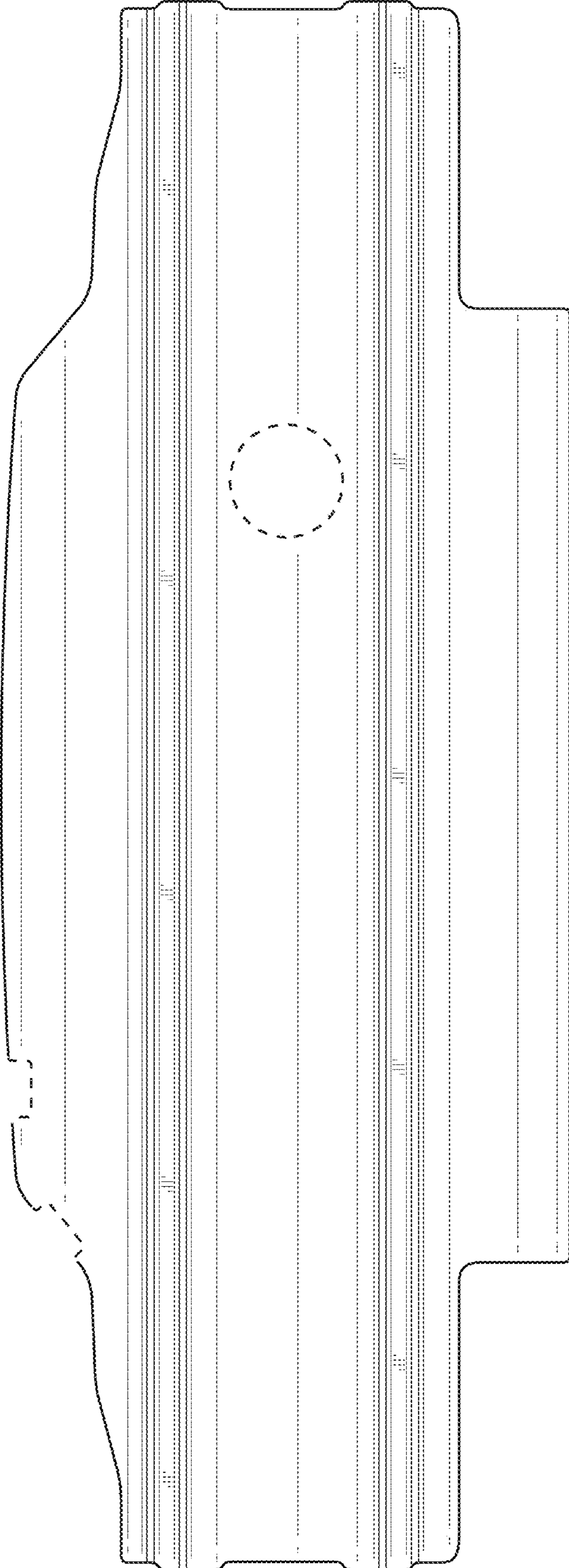


FIG. 3

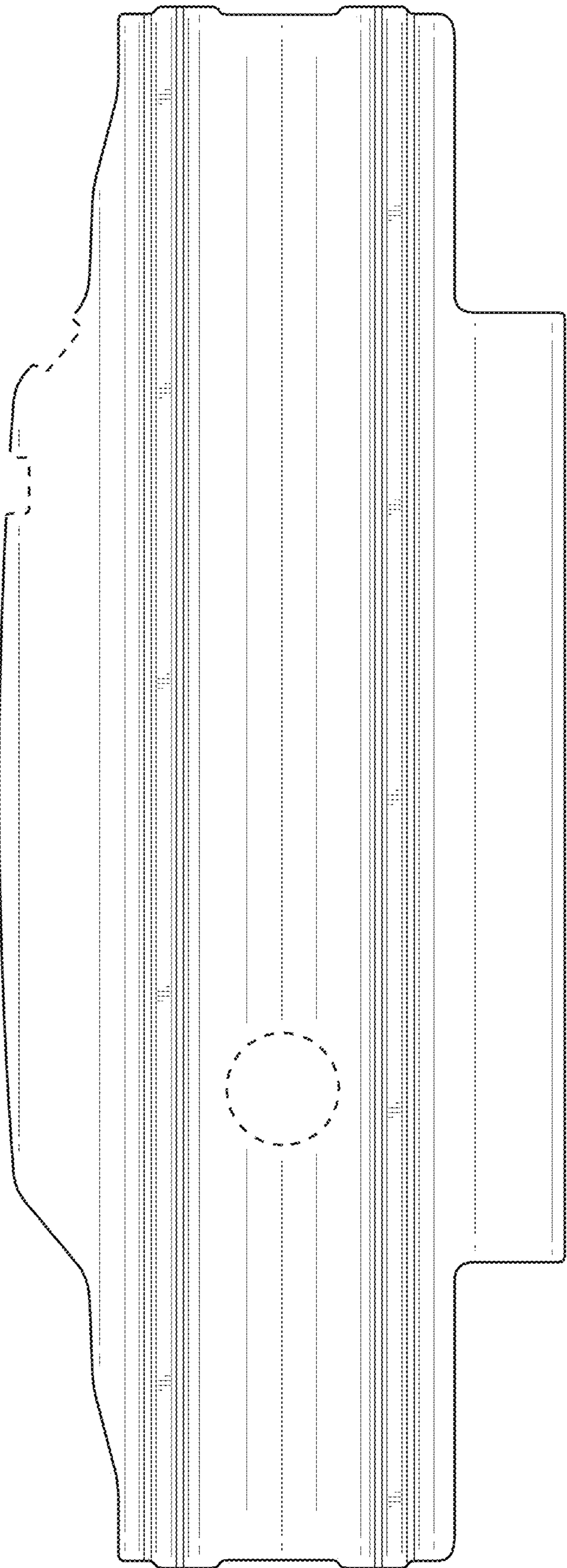


FIG. 4

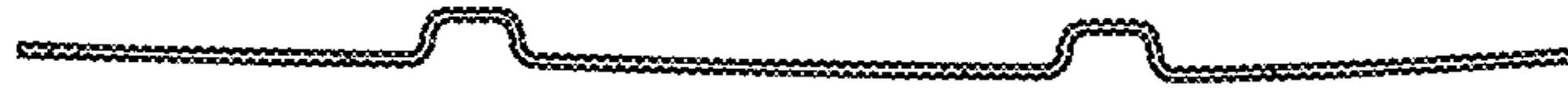


FIG. 5

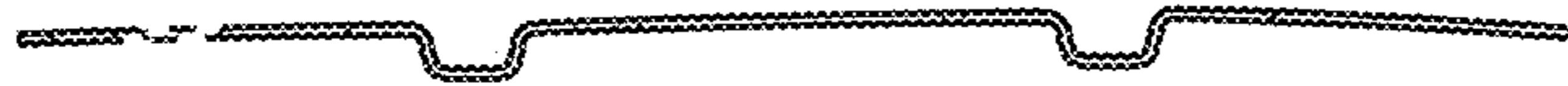


FIG. 6



FIG. 7



FIG. 8

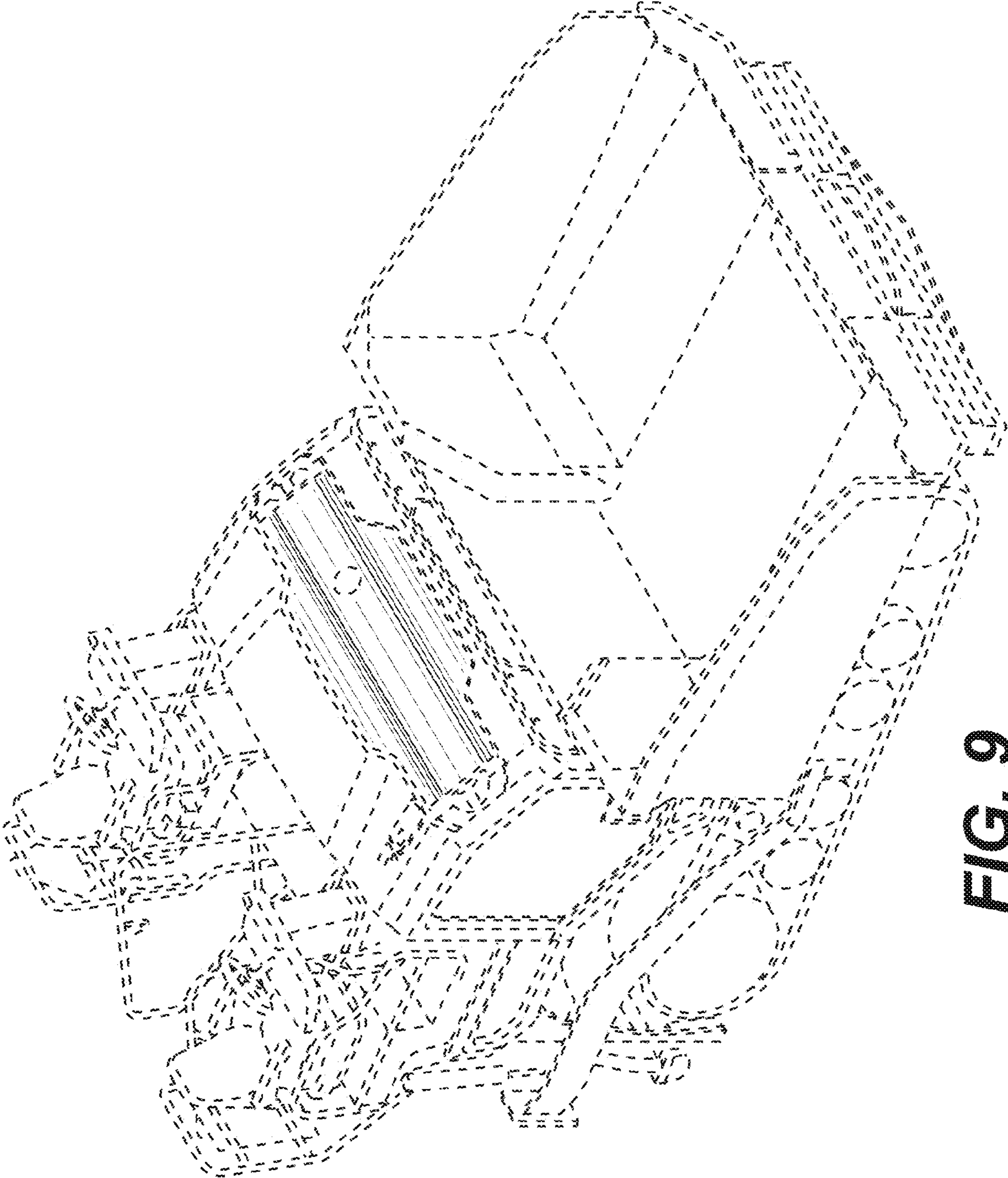


FIG. 9