



US00D897378S

(12) **United States Design Patent** (10) **Patent No.:** **US D897,378 S**
Forsgren et al. (45) **Date of Patent:** **** Sep. 29, 2020**

(54) **ROTATOR**

(71) Applicant: **Indexator Rotator Systems AB,**
Vindeln (SE)

(72) Inventors: **Emma Forsgren, Umeå (SE); Lars**
Mikaelsson, Vindeln (SE)

(73) Assignee: **Indexator Rotator Systems AB,**
Vindeln (SE)

(**) Term: **15 Years**

(21) Appl. No.: **29/707,018**

(22) Filed: **Sep. 25, 2019**

Related U.S. Application Data

(62) Division of application No. 29/582,266, filed on Oct.
26, 2016.

(30) **Foreign Application Priority Data**

May 9, 2016 (EM) 003117837-0001
May 9, 2016 (EM) 003117837-0002
May 9, 2016 (EM) 003117837-0003

(51) **LOC (12) Cl.** **12-09**

(52) **U.S. Cl.**
USPC **D15/28**

(58) **Field of Classification Search**
USPC D15/1, 4, 5, 17, 28, 29, 11, 21-27, 32;
D34/33, 34, 35, 28

CPC E02F 3/3681; E02F 3/38; E02F 9/2275;
E02F 3/3686; E02F 3/3677; B66C 13/14;
B66C 3/005; B66C 3/20

See application file for complete search history.

(56) **References Cited**

U.S. PATENT DOCUMENTS

7,735,530 B1 * 6/2010 Riha A01G 23/095
144/34.1
D653,679 S 2/2012 Attwood et al.

D703,907 S * 4/2014 Khrakovsky D34/33
2001/0026729 A1 * 10/2001 Trowbridge E02F 3/3618
403/322.3
2002/0157287 A1 * 10/2002 Mieger E02F 3/3654
37/468
2006/0086685 A1 * 4/2006 Harr B66C 1/68
212/273
2008/0179482 A1 7/2008 van Amelsfoort
2013/0056588 A1 3/2013 Harr et al.
2013/0142607 A1 * 6/2013 Ditzler E02F 3/38
414/727
2013/0284546 A1 * 10/2013 Martinsons B66C 3/005
188/83
2013/0343807 A1 12/2013 McDonald
2014/0027222 A1 * 1/2014 Martinsons F16F 7/023
188/381

(Continued)

Primary Examiner — Ania Aman

(74) *Attorney, Agent, or Firm* — Studebaker & Brackett
PC

(57) **CLAIM**

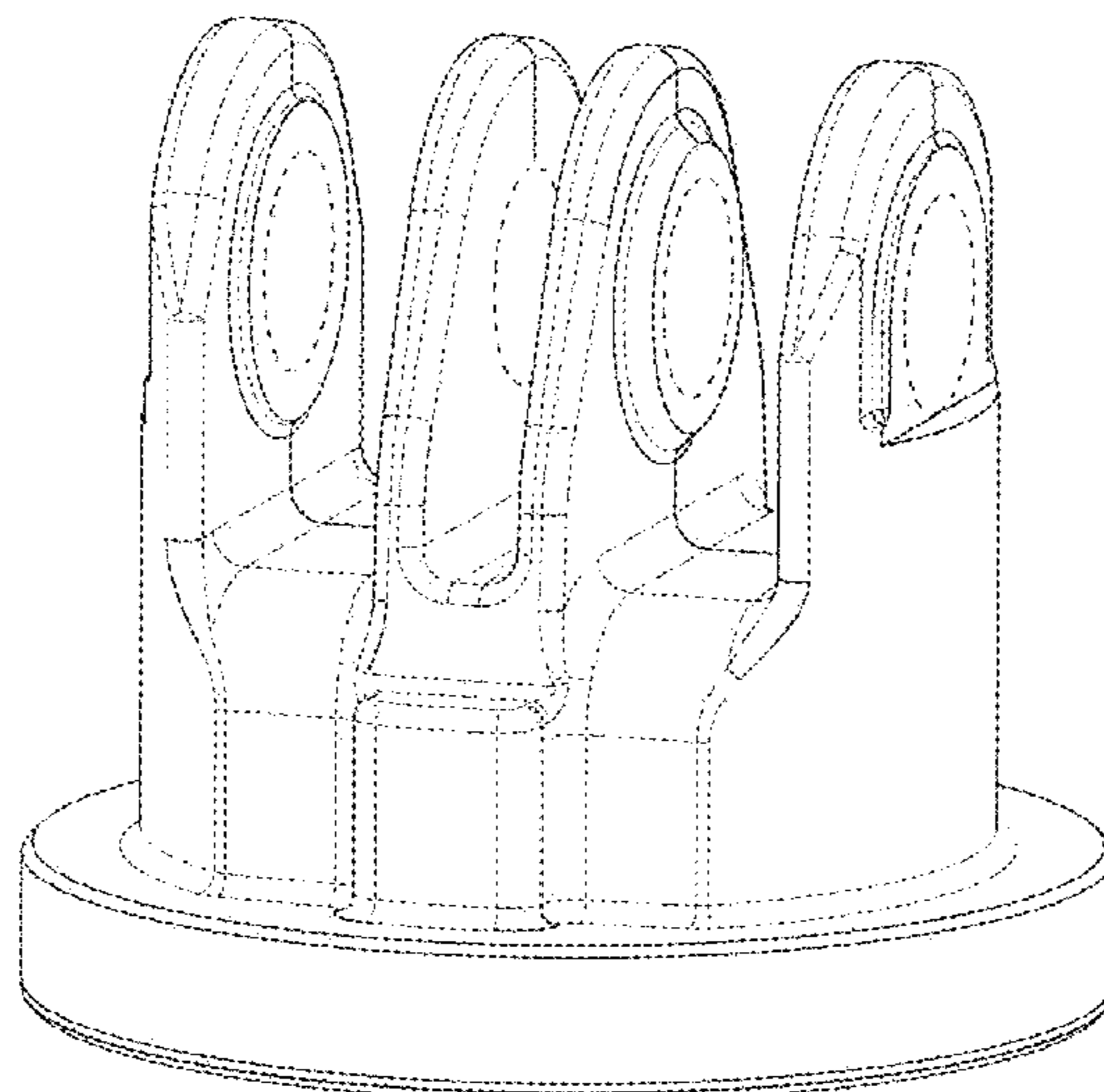
The ornamental design for a rotator, as shown and described.

DESCRIPTION

FIG. 1 is a right, front perspective view showing our new design for a rotator,
FIG. 2 is a left, front perspective view thereof,
FIG. 3 is a front view thereof, a rear view being a mirror image thereof,
FIG. 4 is a right side view thereof,
FIG. 5 is a left side view thereof,
FIG. 6 is a top view thereof; and,
FIG. 7 is a bottom view thereof.

In the drawings, the broken lines depict environmental subject matter only and form no part of the claimed design.

1 Claim, 7 Drawing Sheets



(56)

References Cited

U.S. PATENT DOCUMENTS

2014/0271079 A1* 9/2014 Fichtinger B66C 23/46
414/729
2015/0016934 A1 1/2015 Cooper et al.
2017/0233978 A1 8/2017 Friedrich
2018/0297823 A1* 10/2018 Steindl B66C 13/46
2019/0218073 A1 7/2019 Harr

* cited by examiner

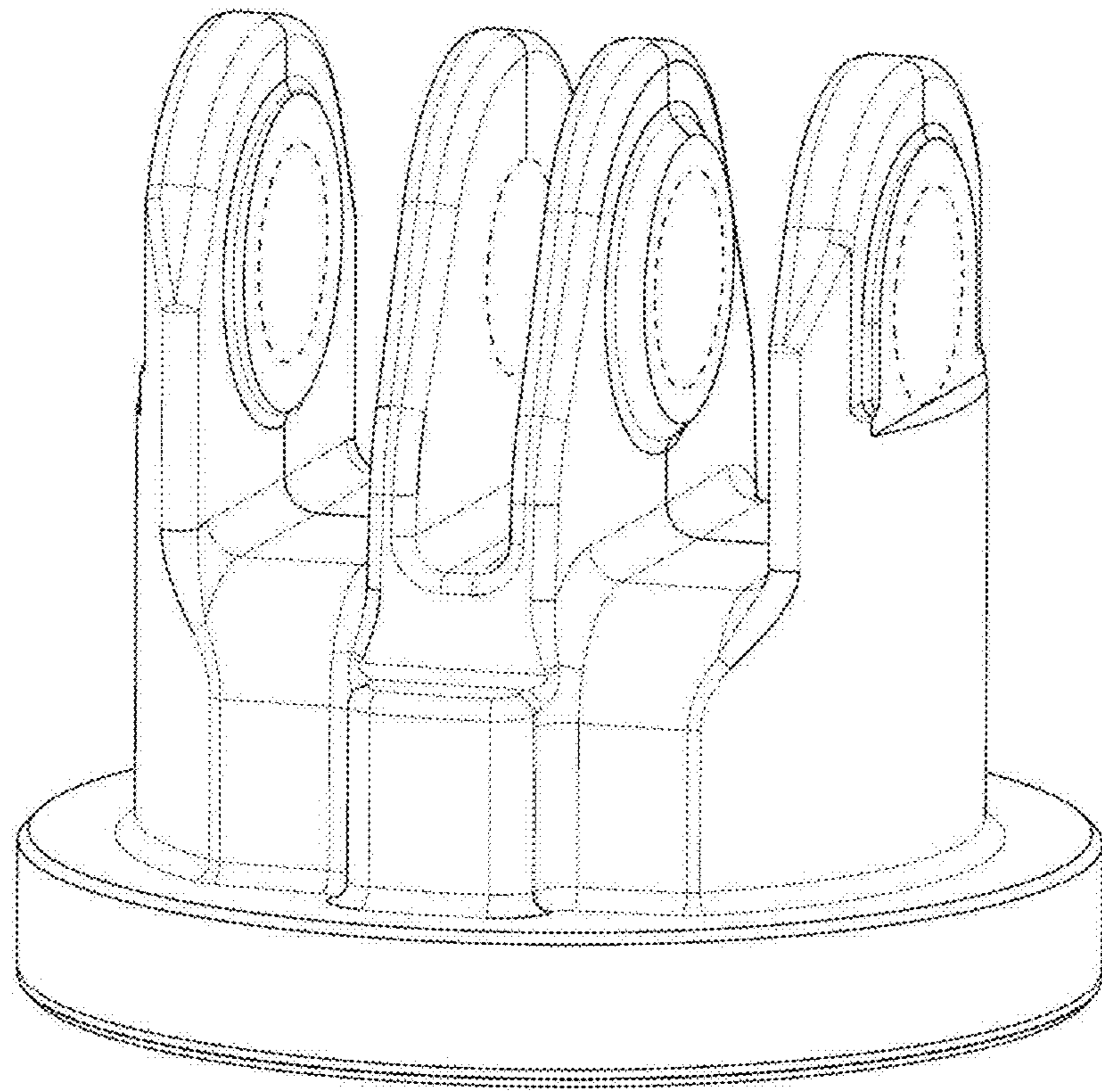


FIG. 1

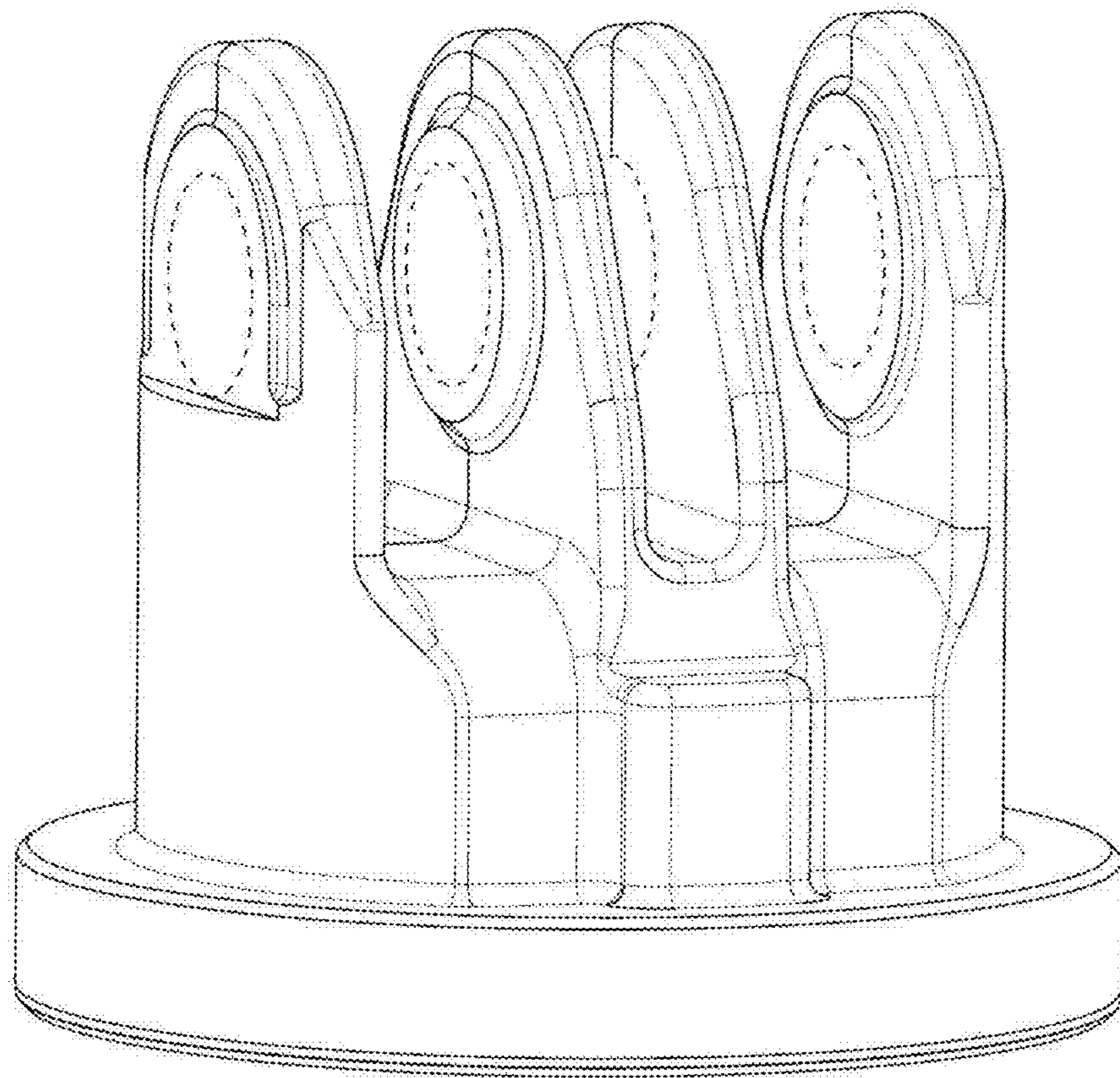


FIG. 2

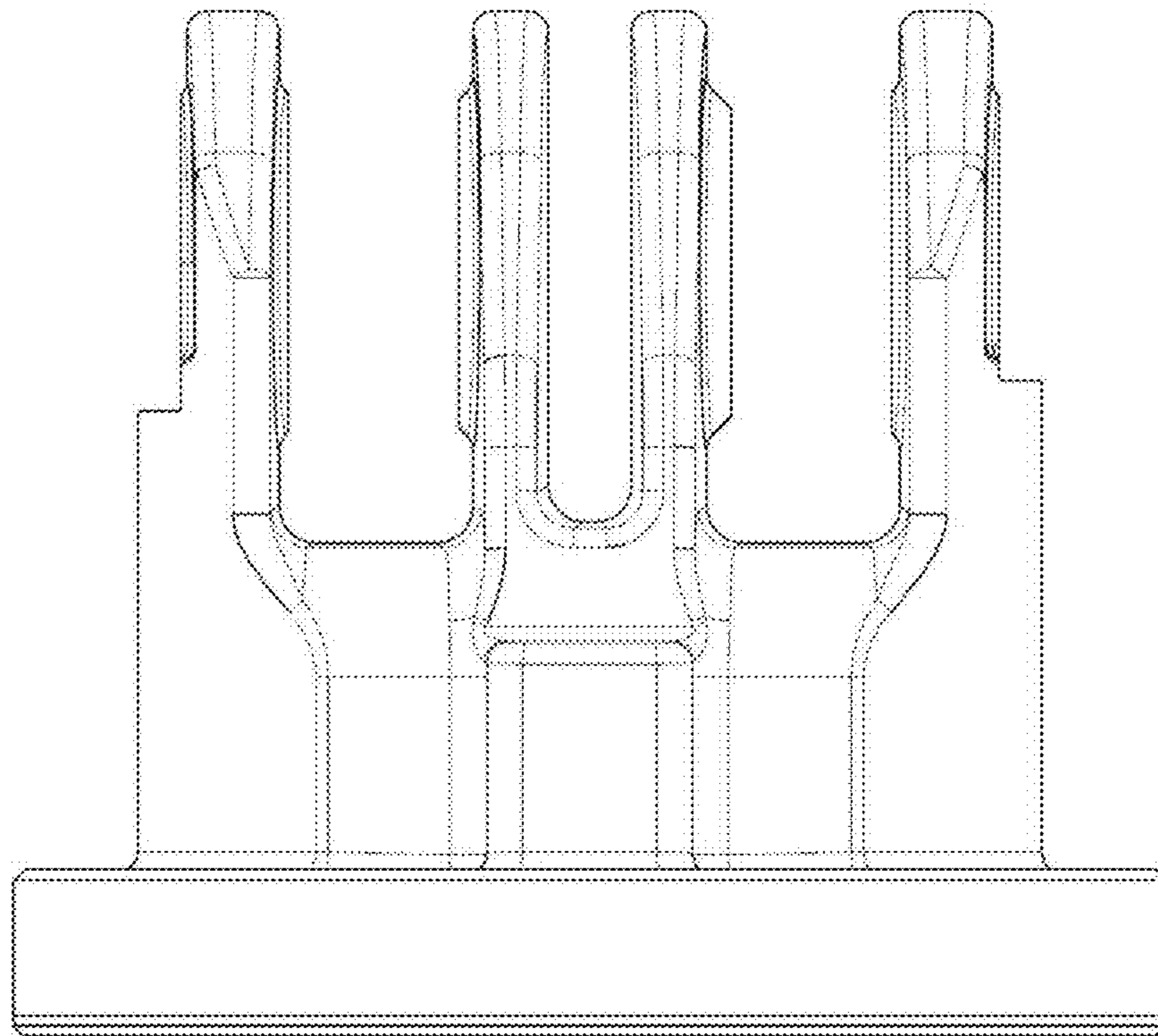


FIG. 3

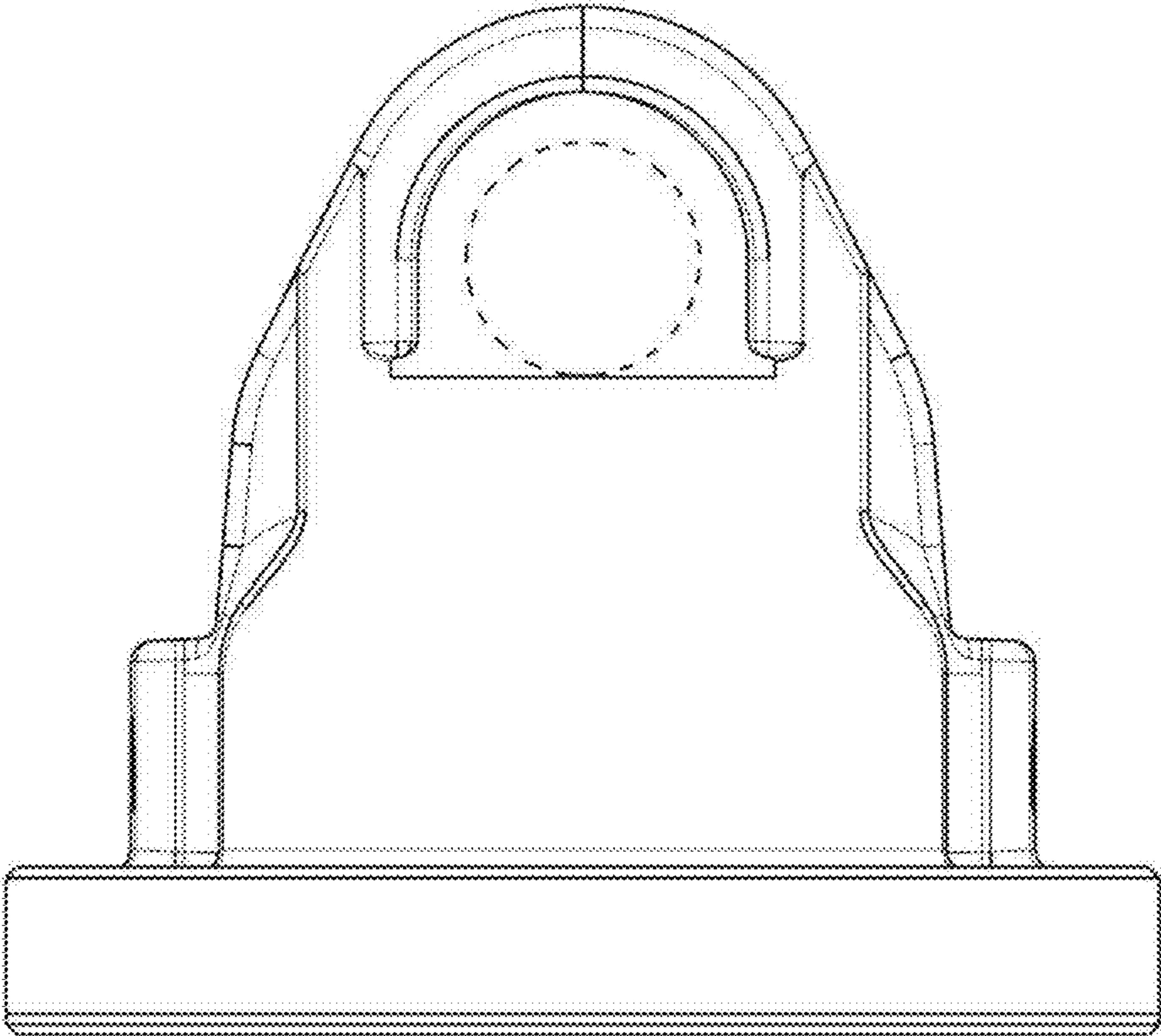


FIG. 4

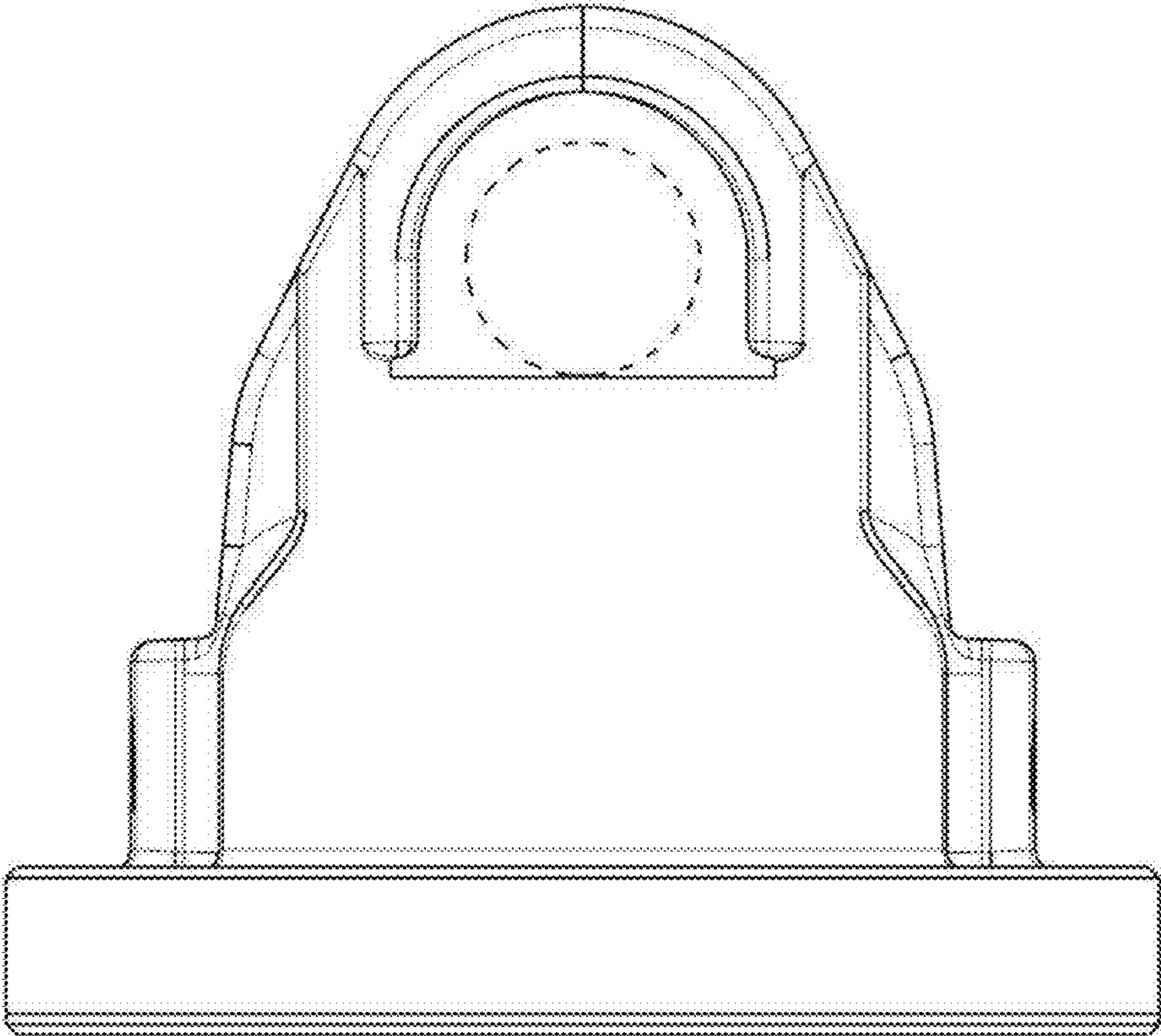


FIG. 5

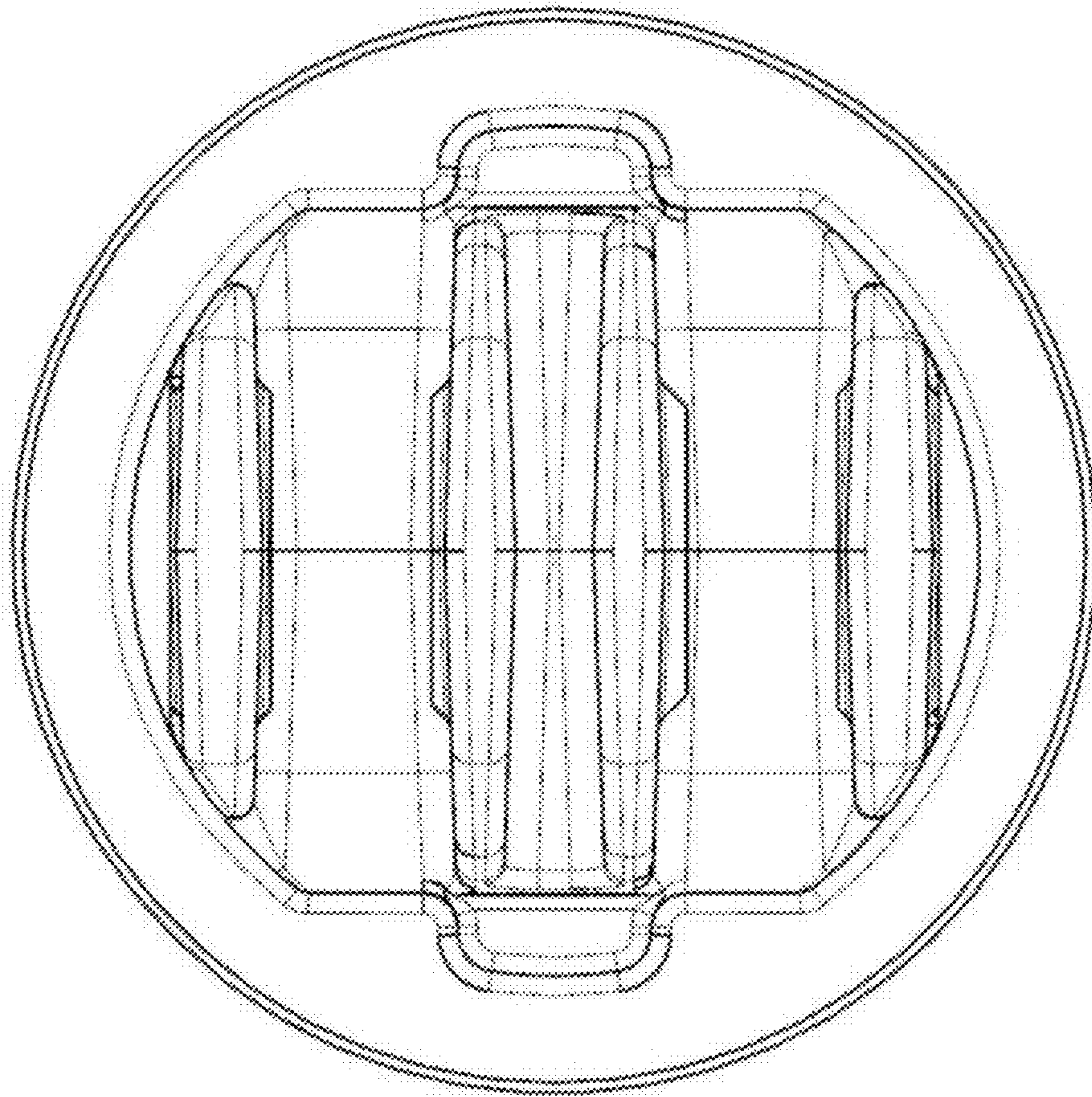


FIG. 6

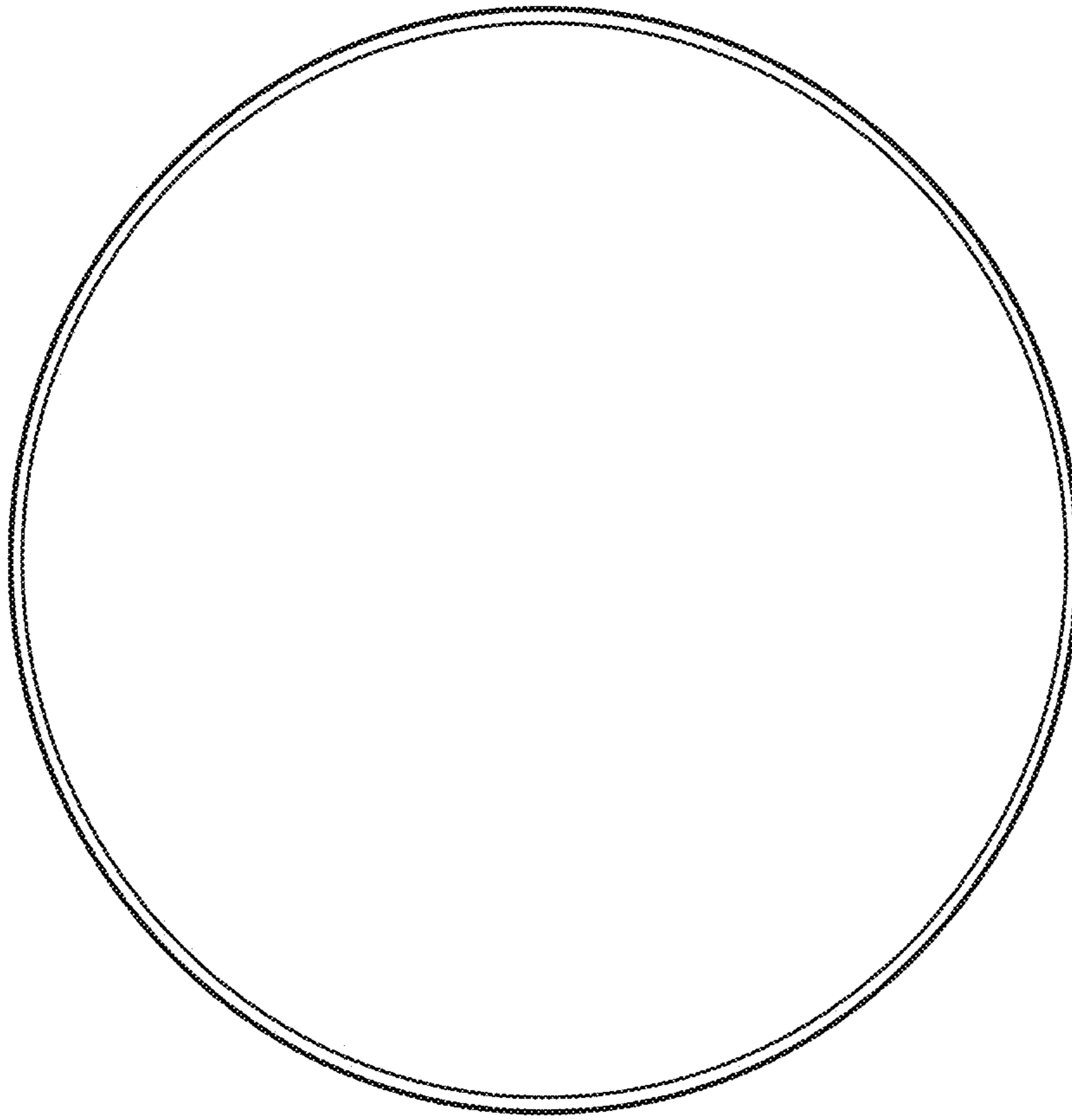


FIG. 7