



US00D897377S

(12) **United States Design Patent** (10) **Patent No.:** **US D897,377 S**  
**Forsgren et al.** (45) **Date of Patent:** **\*\* Sep. 29, 2020**

(54) **ROTATOR**  
(71) Applicant: **Indexator Rotator Systems AB,**  
Vindeln (SE)  
(72) Inventors: **Emma Forsgren, Umeå (SE); Lars**  
**Mikaelsson, Vindeln (SE)**  
(73) Assignee: **Indexator Rotator Systems AB,**  
Vindeln (SE)  
(\*\*) Term: **15 Years**  
(21) Appl. No.: **29/582,266**  
(22) Filed: **Oct. 26, 2016**  
(30) **Foreign Application Priority Data**

May 9, 2020 (EP) ..... 003117837-0001  
May 9, 2020 (EP) ..... 003117837-0002  
May 9, 2020 (EP) ..... 003117837-0003

(51) **LOC (12) Cl.** ..... **12-09**  
(52) **U.S. Cl.**  
USPC ..... **D15/28**  
(58) **Field of Classification Search**  
USPC ..... D15/1, 4, 5, 17, 28, 29, 11, 21-27, 32;  
D34/33, 34, 35, 28  
CPC ..... E02F 3/3681; E02F 3/38; E02F 9/2275;  
E02F 3/3686; E02F 3/3677; B66C 13/14;  
B66C 3/005; B66C 3/20  
See application file for complete search history.

(56) **References Cited**

**U.S. PATENT DOCUMENTS**

7,735,530 B1 \* 6/2010 Riha ..... A01G 23/095  
144/34.1  
D653,679 S \* 2/2012 Attwood ..... D15/21  
D703,907 S \* 4/2014 Khrakovsky ..... D34/33  
2001/0026729 A1 \* 10/2001 Trowbridge ..... E02F 3/3618  
403/322.3

2002/0157287 A1 \* 10/2002 Mieger ..... E02F 3/3654  
37/468  
2006/0086685 A1 \* 4/2006 Harr ..... B66C 1/68  
212/273  
2008/0179482 A1 \* 7/2008 van Amelsfoort .... E02F 3/3681  
248/349.1  
2013/0056588 A1 \* 3/2013 Harr ..... B66C 13/14  
248/49  
2013/0142607 A1 \* 6/2013 Ditzler ..... E02F 3/38  
414/727  
2013/0284546 A1 \* 10/2013 Martinsons ..... B66C 3/005  
188/83  
2013/0343807 A1 \* 12/2013 McDonald ..... E02F 3/3681  
403/164  
2014/0027222 A1 \* 1/2014 Martinsons ..... F16F 7/023  
188/381  
2014/0271079 A1 \* 9/2014 Fichtinger ..... B66C 23/46  
414/729  
2015/0016934 A1 \* 1/2015 Cooper ..... E02F 3/3677  
414/735

(Continued)

*Primary Examiner* — Ania Aman

(74) *Attorney, Agent, or Firm* — Studebaker & Brackett  
PC

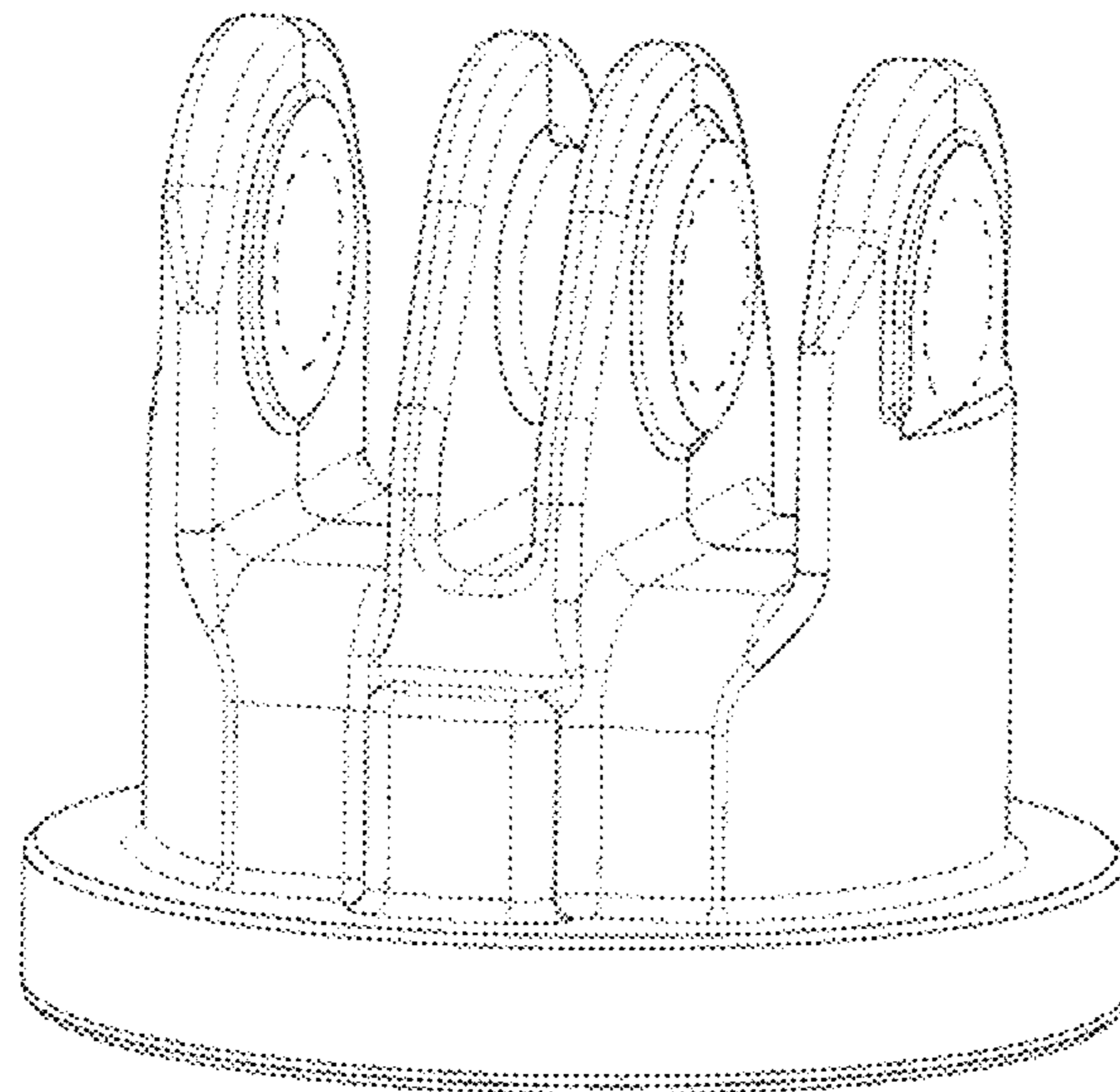
(57) **CLAIM**

The ornamental design for a rotator, as shown and described.

**DESCRIPTION**

FIG. 1 is a right, front perspective view of a rotator showing our new design,  
FIG. 2 is a left, front perspective view thereof,  
FIG. 3 is a front view thereof, a rear view being a mirror image thereof,  
FIG. 4 is a right side view thereof,  
FIG. 5 is a left side view thereof,  
FIG. 6 is a top view thereof; and,  
FIG. 7 is a bottom view thereof.  
The portion shown in dotted lines is for illustrative purposes only and forms no part of the design.

**1 Claim, 7 Drawing Sheets**



(56)

**References Cited**

U.S. PATENT DOCUMENTS

2017/0233978 A1\* 8/2017 Friedrich ..... E02F 3/3609  
403/14  
2018/0297823 A1\* 10/2018 Steindl ..... B66C 13/46  
2019/0218073 A1\* 7/2019 Harr ..... B66C 3/00

\* cited by examiner

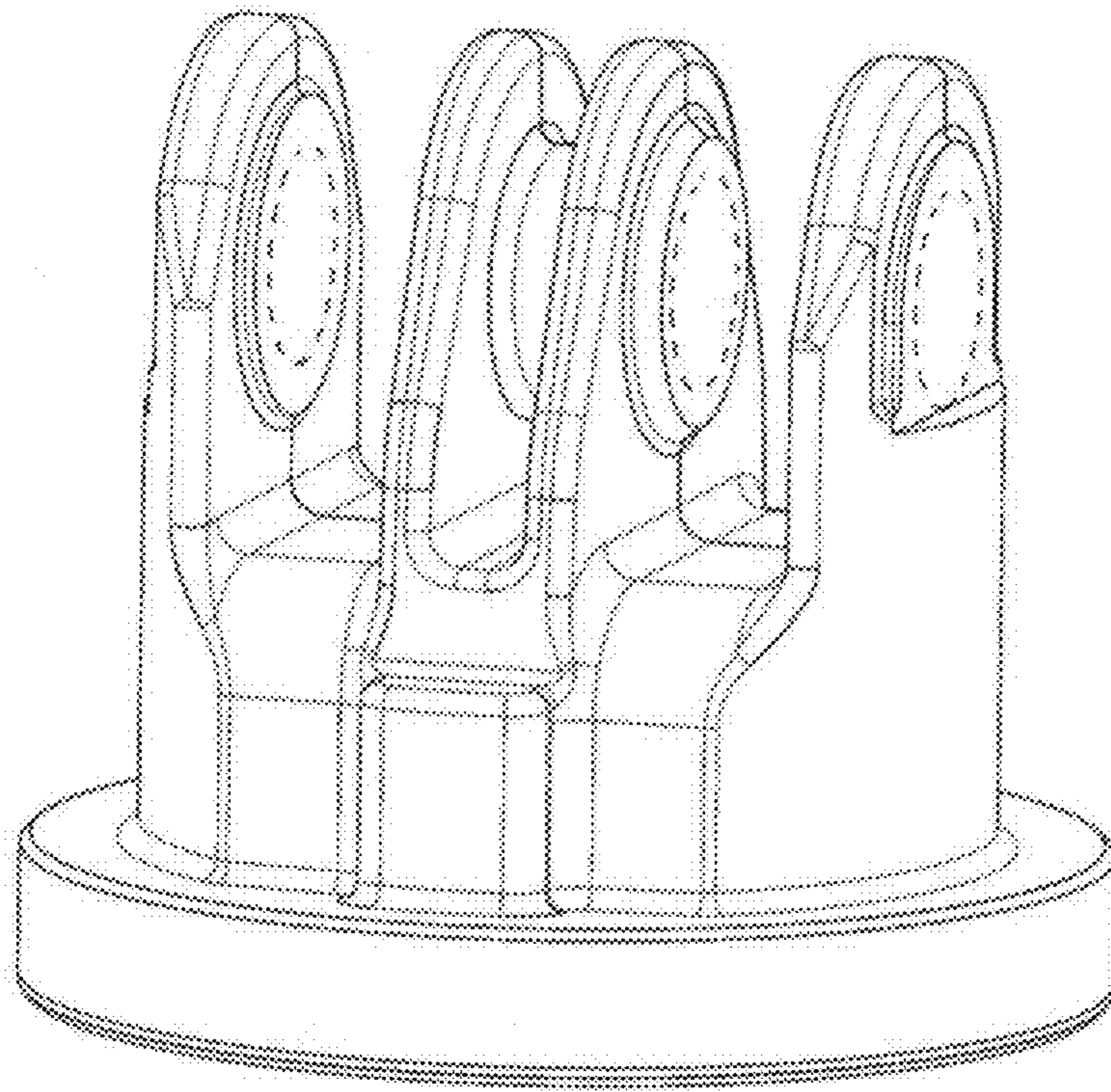


FIG. 1

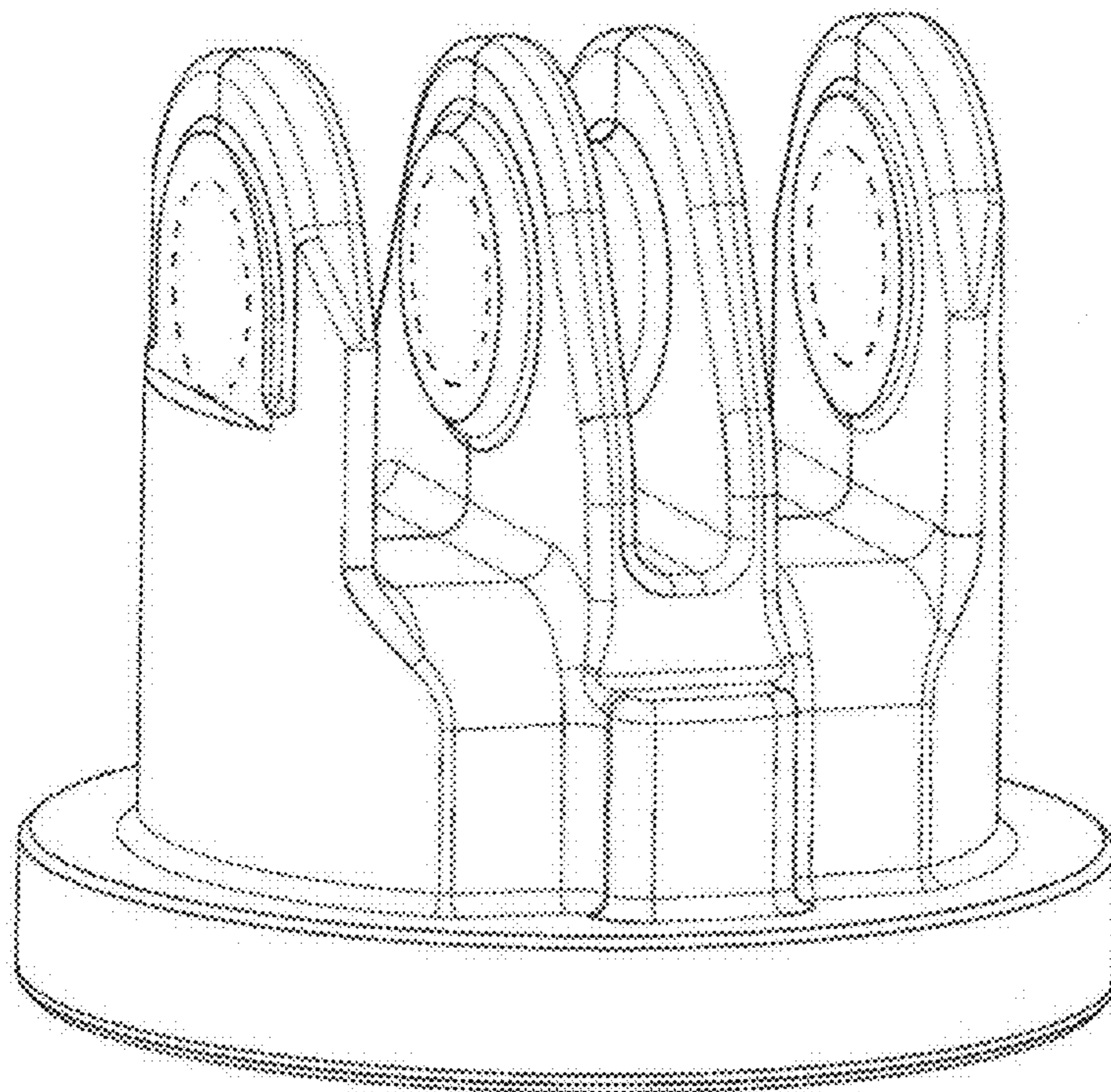


FIG. 2



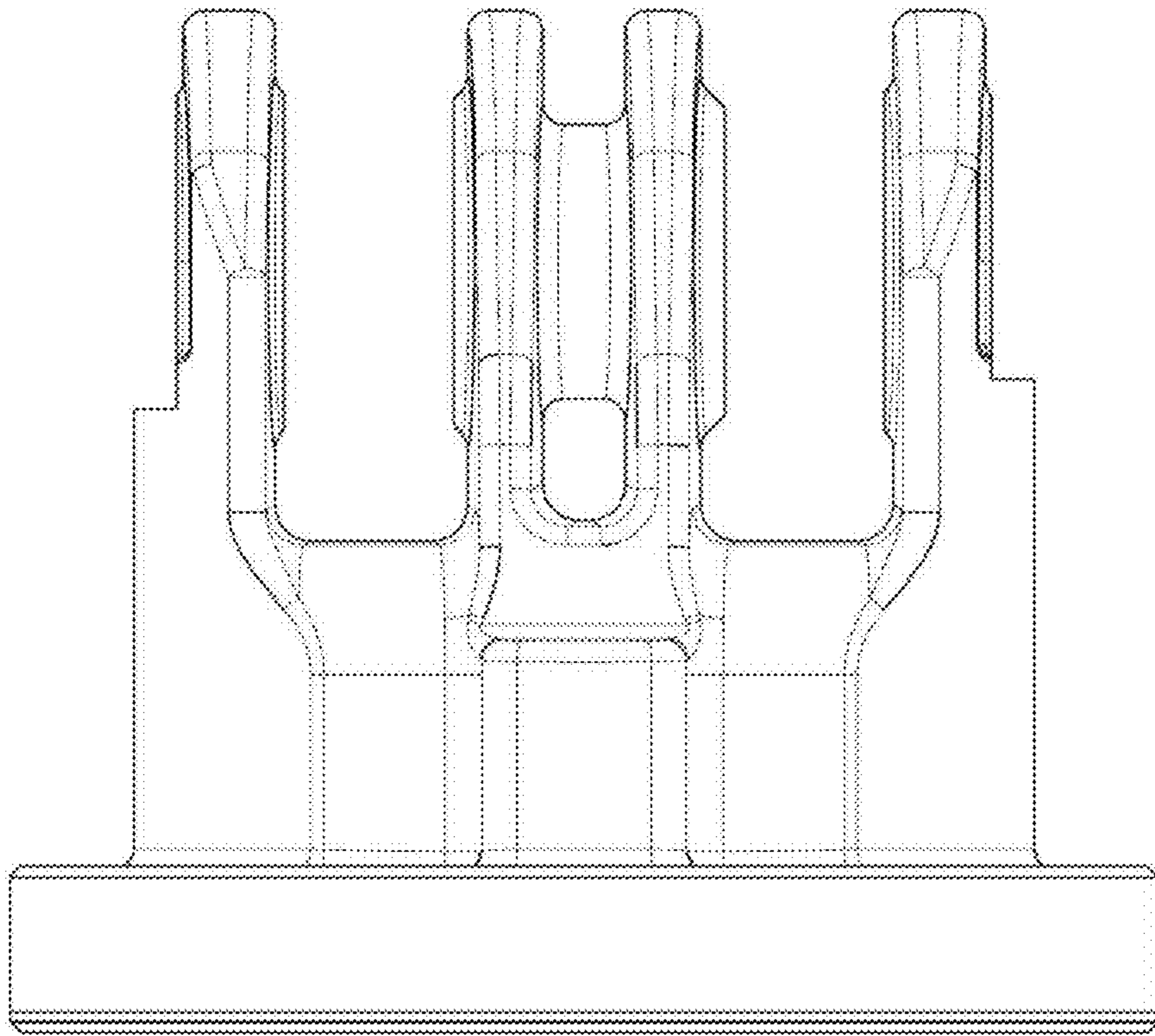


FIG. 3

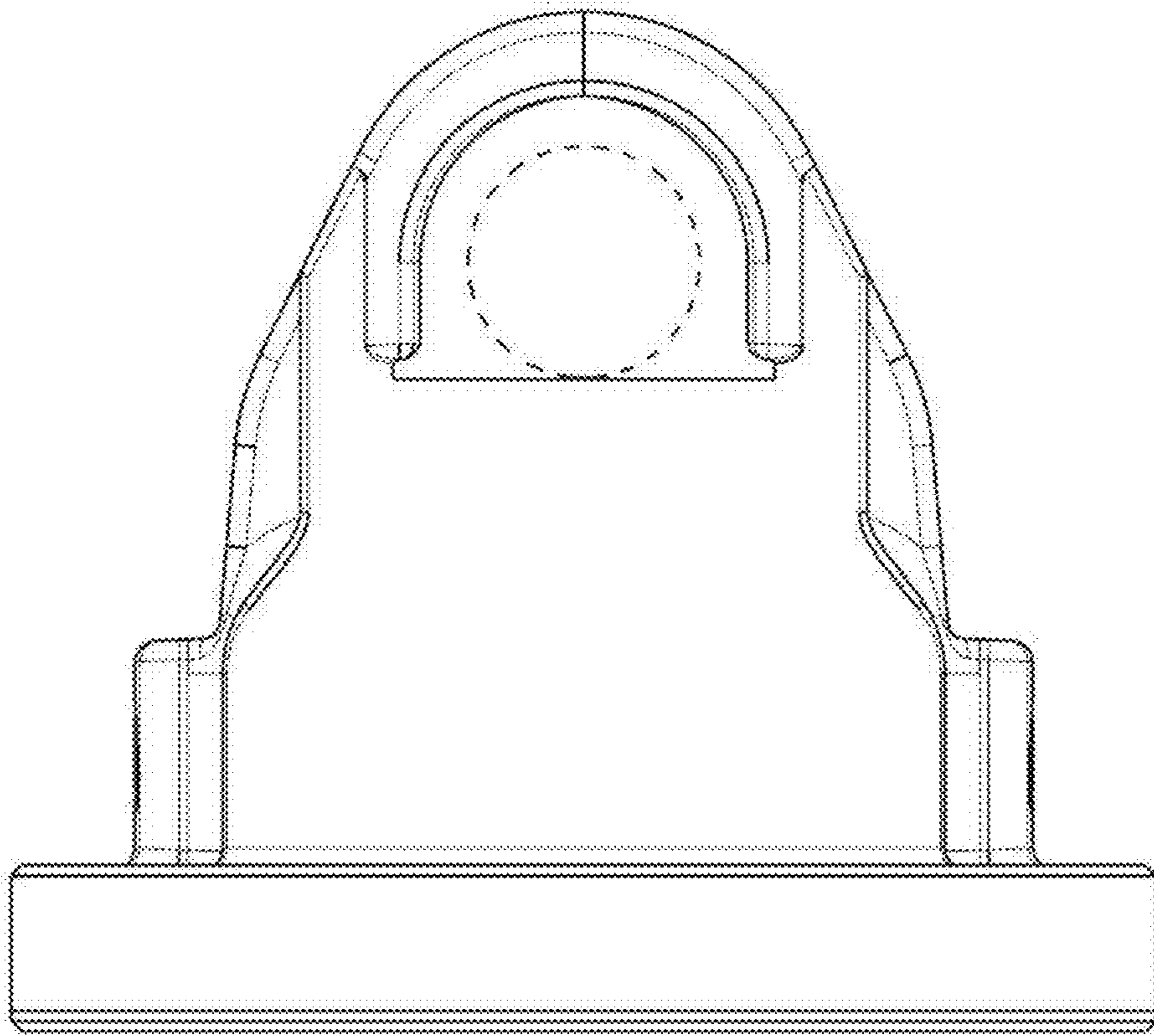


FIG. 4

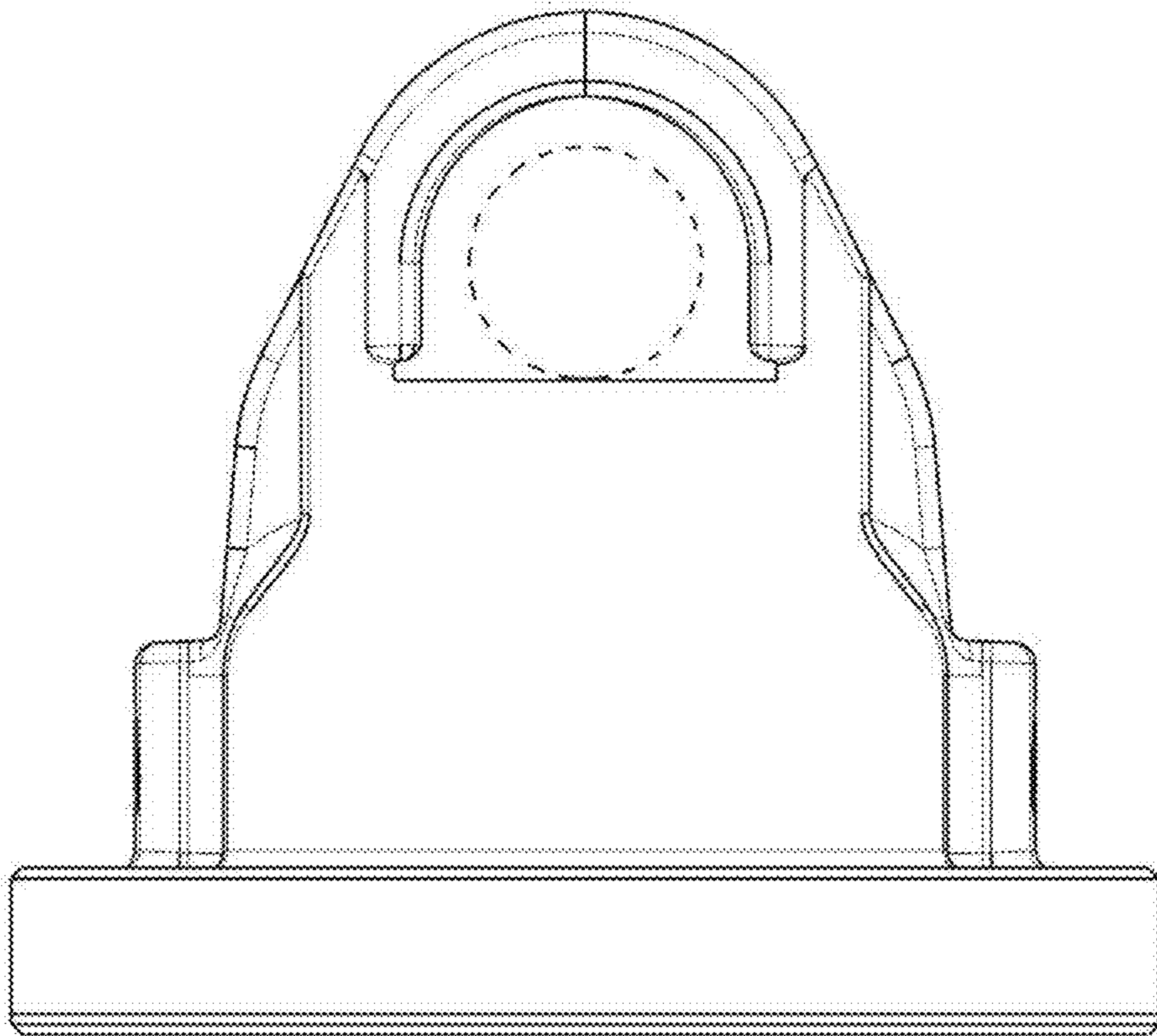


FIG. 5

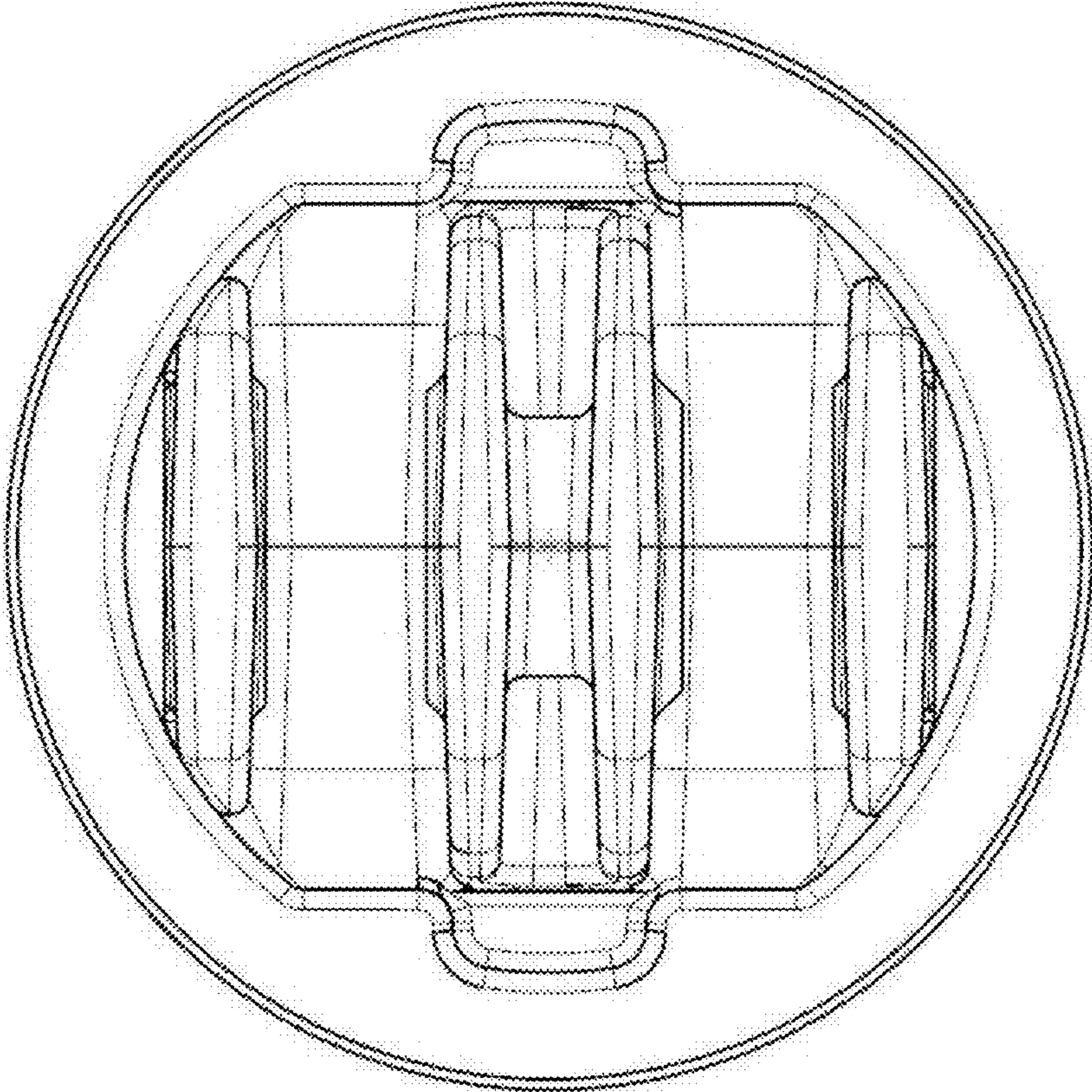


FIG. 6



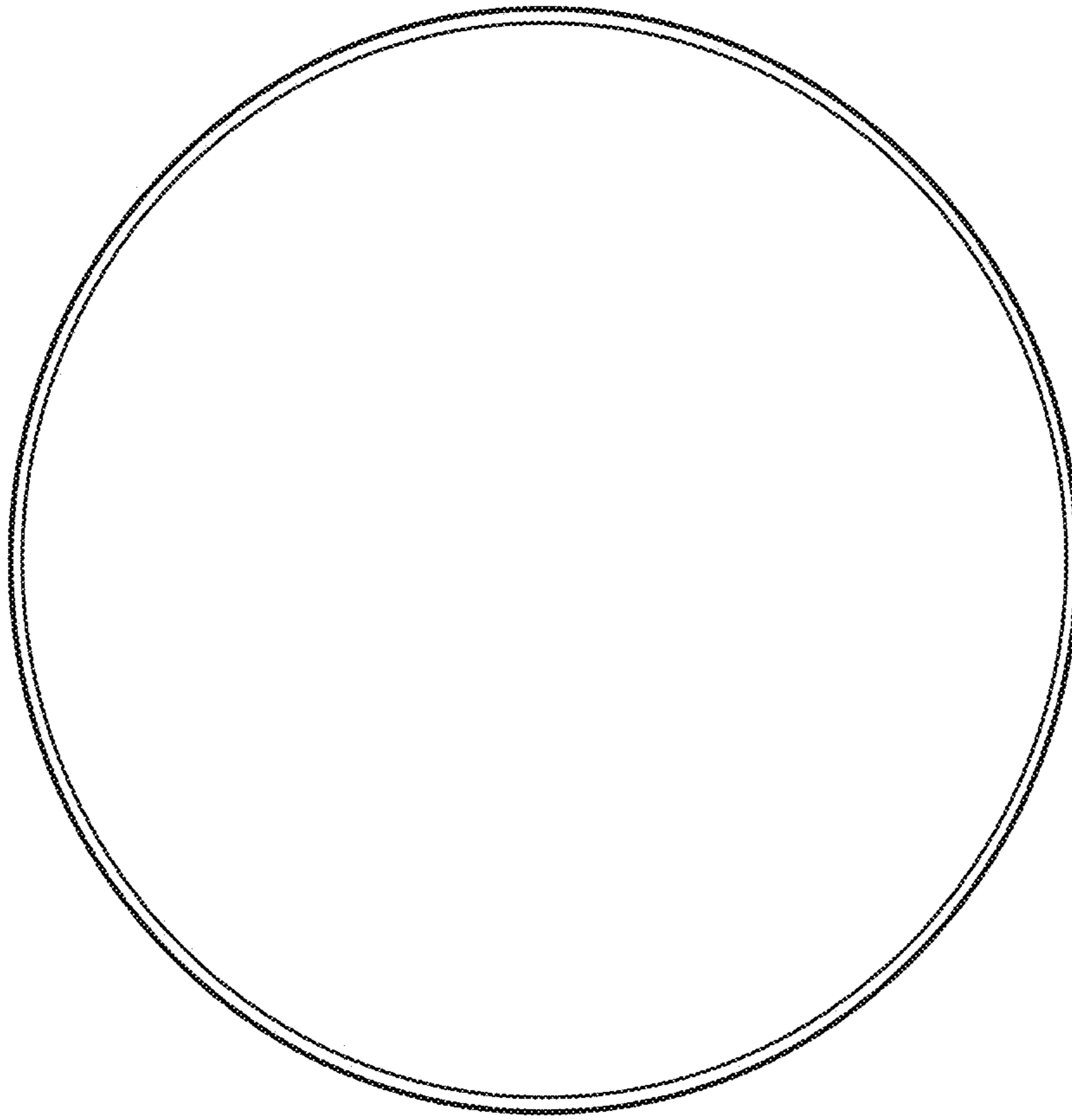


FIG. 7