



US00D897376S

(12) **United States Design Patent**  
**Hemry et al.**

(10) **Patent No.:** **US D897,376 S**

(45) **Date of Patent:** **\*\* Sep. 29, 2020**

- (54) **RECLAIMER**
- (71) Applicant: **CATERPILLAR PAVING PRODUCTS INC.**, Brooklyn Park, MN (US)
- (72) Inventors: **Michael S. Hemry**, Maple Grove, MN (US); **Federico B. Rio**, Dunlap, IL (US); **Jason W. Muir**, Andover, MN (US); **Zachary J. Vrochota**, Brooklyn Park, MN (US); **Roger Hedlund**, Champlin, MN (US); **Brian Schlenker**, Shoreview, MN (US)

- 4,933,853 A \* 6/1990 Musil ..... E01C 19/006 37/382
- 5,046,888 A \* 9/1991 King ..... E01C 19/484 404/108
- 5,201,603 A \* 4/1993 Bassett ..... E01C 19/48 404/110
- 6,074,129 A \* 6/2000 Nowak ..... E01C 19/42 403/289
- D632,308 S \* 2/2011 Kopacz ..... D15/19
- D638,860 S \* 5/2011 Kopacz ..... D15/19
- D643,858 S \* 8/2011 Kopacz ..... D15/19
- D650,396 S \* 12/2011 Ewringmann ..... D15/22
- D652,432 S \* 1/2012 Kopacz ..... D15/19
- D660,882 S \* 5/2012 Bohme ..... D15/28
- D660,883 S \* 5/2012 Bohme ..... D15/28
- D668,686 S \* 10/2012 Lins ..... D15/10
- D672,790 S \* 12/2012 Kopacz ..... D15/19

(73) Assignee: **Caterpillar Paving Products Inc.**, Brooklyn Park, MN (US)

(\*\*) Term: **15 Years**

(21) Appl. No.: **29/691,280**

(22) Filed: **May 15, 2019**

(51) **LOC (12) Cl.** ..... **15-04**

(52) **U.S. Cl.**  
USPC ..... **D15/19; D15/22**

(58) **Field of Classification Search**  
USPC ..... D15/19, 22, 124, 125, 126, 138-139; 404/110, 101, 108, 75, 102, 118, 84.05, 404/105  
CPC ... B60K 1/04; B60K 6/00; B60K 6/20; B60K 6/22; B60K 6/26; B60K 6/28; E01C 19/00; E01C 19/002; E01C 19/08; E01C 19/22; E01C 19/42; E01C 23/00  
See application file for complete search history.

(56) **References Cited**

**U.S. PATENT DOCUMENTS**

- D148,963 S \* 3/1948 Stevens ..... D15/22
- D277,676 S \* 2/1985 Neal ..... D15/13
- D278,822 S \* 5/1985 Neal ..... D15/10

(Continued)

*Primary Examiner* — Mark A Goodwin

*Assistant Examiner* — Benjamin M Weeks

(74) *Attorney, Agent, or Firm* — Finnegan, Henderson, Farabow, Garrett & Dunner, LLP

(57) **CLAIM**

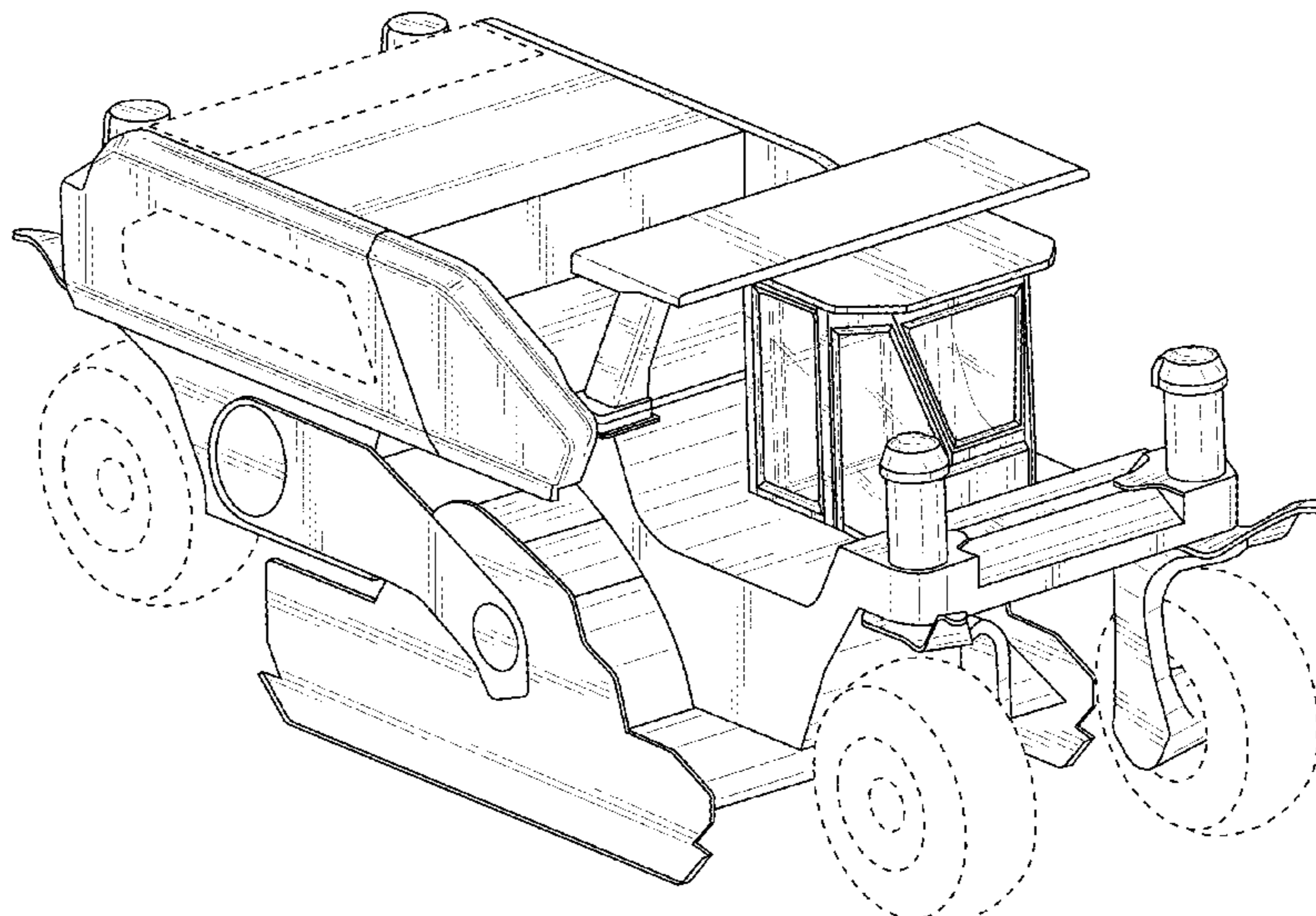
The ornamental design for a reclaimer, as shown and described.

**DESCRIPTION**

FIG. 1 is a front, top, left perspective view of a reclaimer showing the new design;  
FIG. 2 is a rear, top, right perspective view thereof;  
FIG. 3 is a front elevation view thereof;  
FIG. 4 is a rear elevation view thereof;  
FIG. 5 is a left side view thereof;  
FIG. 6 is a right side view thereof; and,  
FIG. 7 is a top plan view thereof.

The bottom view of the reclaimer is not visible during ordinary use and forms no part of the claimed design. The broken lines of even length shown in the drawings illustrate portions of the reclaimer that form no part of the claimed design.

**1 Claim, 7 Drawing Sheets**



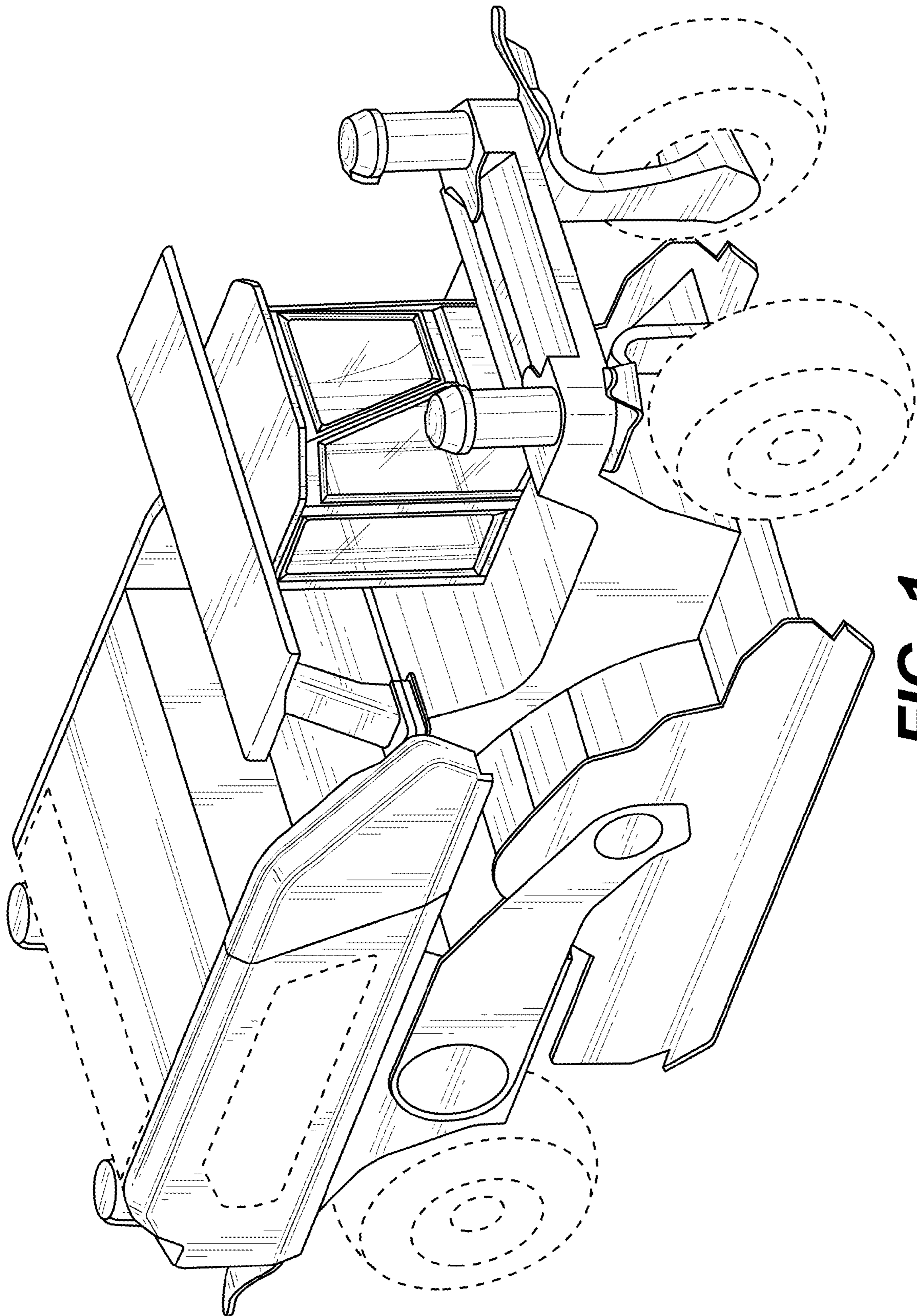
(56)

**References Cited**

U.S. PATENT DOCUMENTS

D673,981 S \* 1/2013 Kopacz ..... D15/19  
8,527,111 B2 \* 9/2013 Hilmersson ..... E01C 23/128  
700/302  
8,573,886 B1 \* 11/2013 Taylor, Jr. .... E01C 19/4893  
404/105  
8,591,144 B1 \* 11/2013 Bean ..... E01C 19/48  
404/101  
8,591,145 B1 \* 11/2013 Engel ..... E01C 19/48  
404/104  
8,961,064 B2 \* 2/2015 Ramos ..... E01C 19/42  
404/118  
8,979,423 B2 \* 3/2015 Smieja ..... E01C 19/48  
404/72  
8,979,425 B2 \* 3/2015 Graham ..... E01C 19/42  
404/118  
9,028,167 B2 \* 5/2015 Buschmann ..... E01C 19/48  
404/101

\* cited by examiner



**FIG. 1**



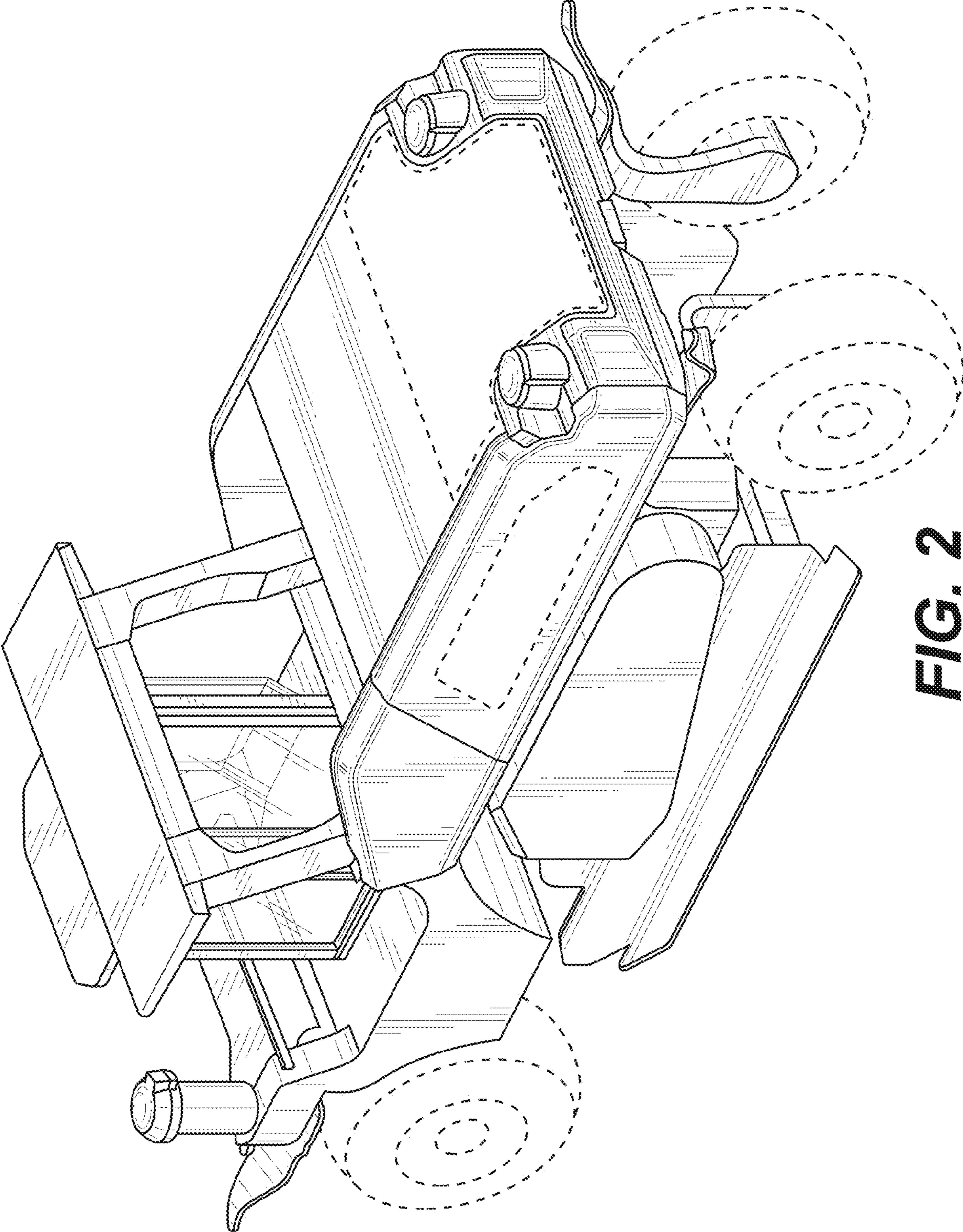
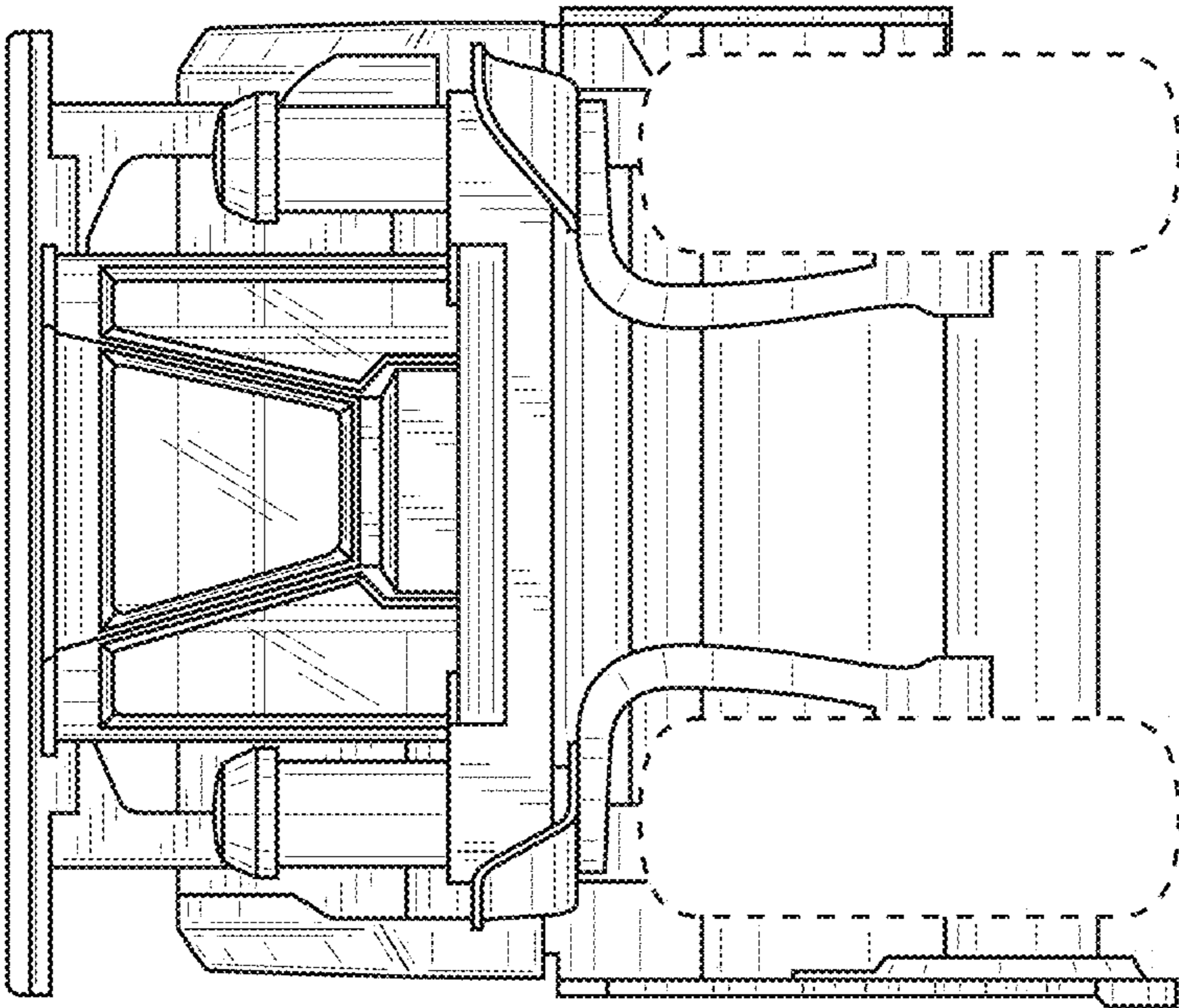
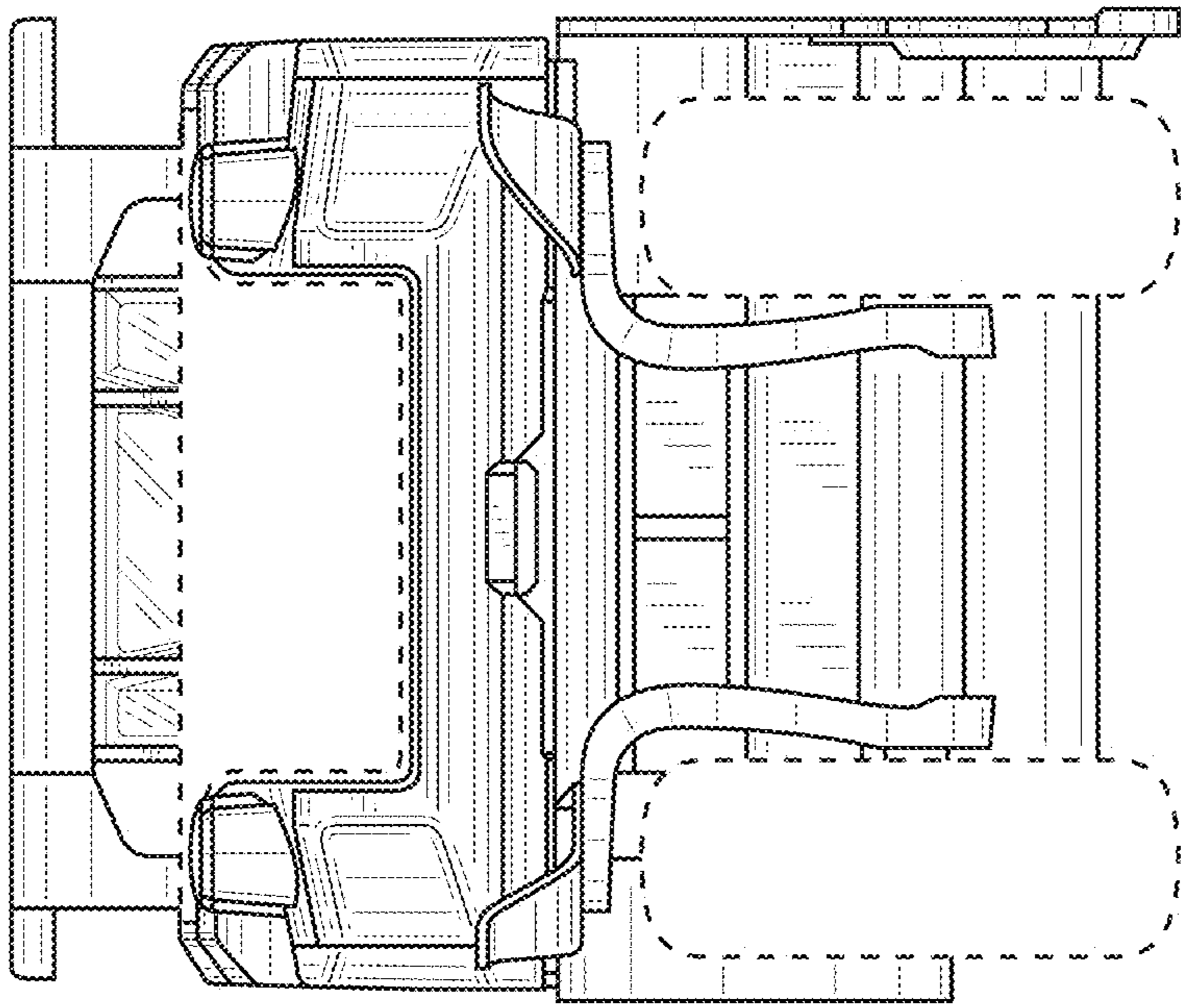


FIG. 2

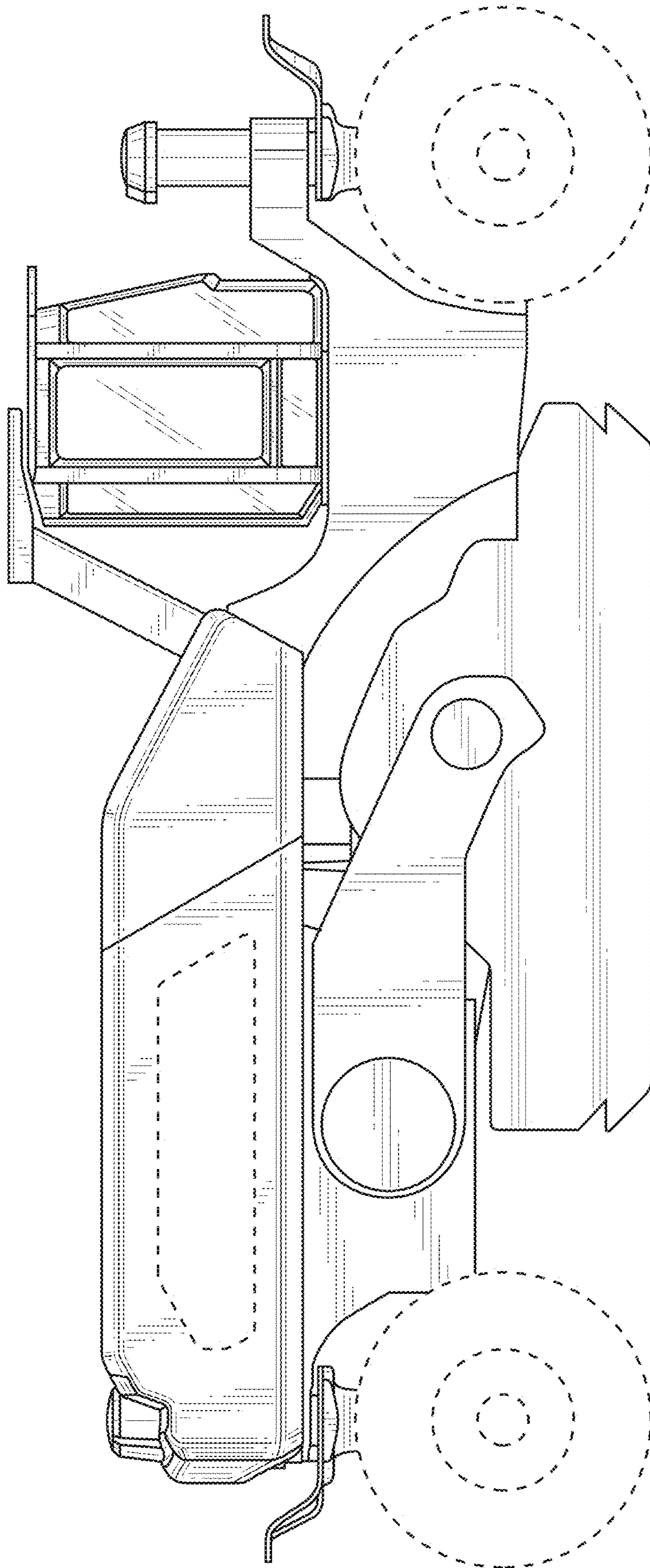


**FIG. 3**

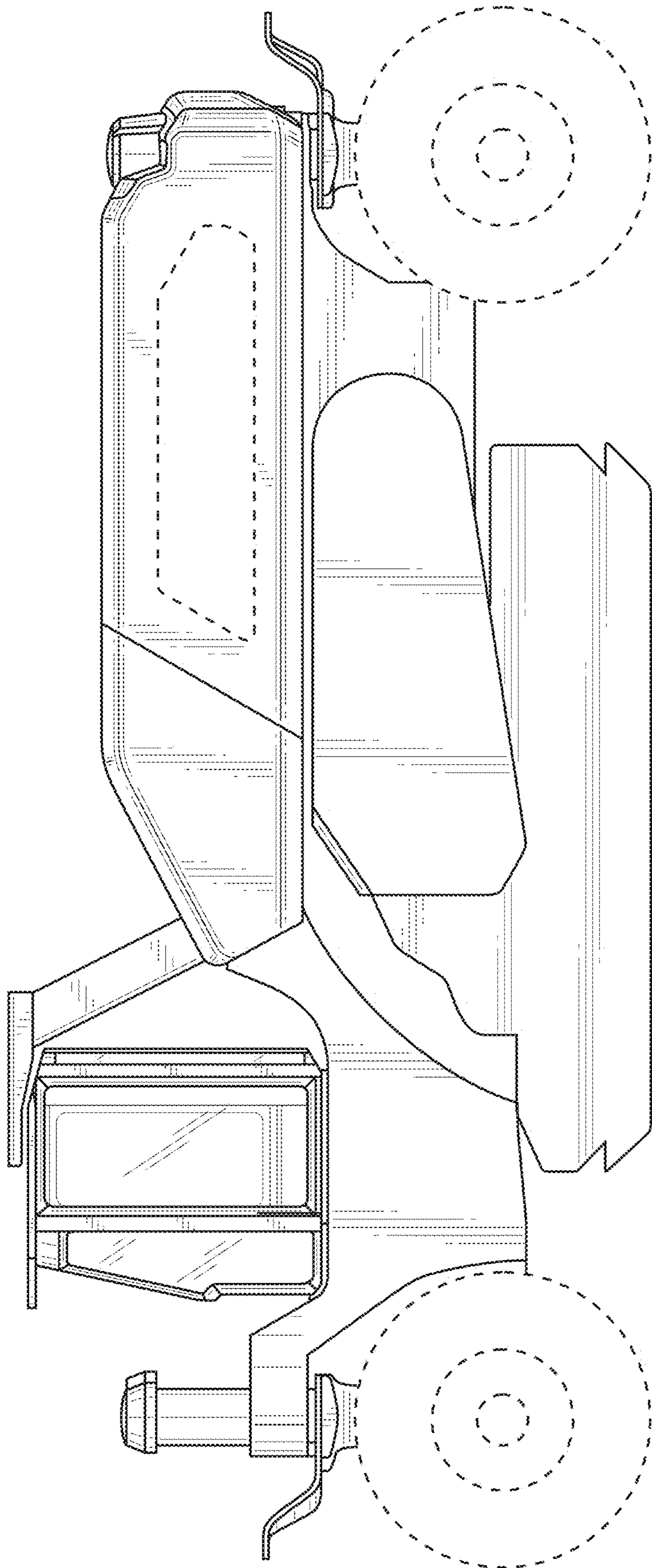


**FIG. 4**



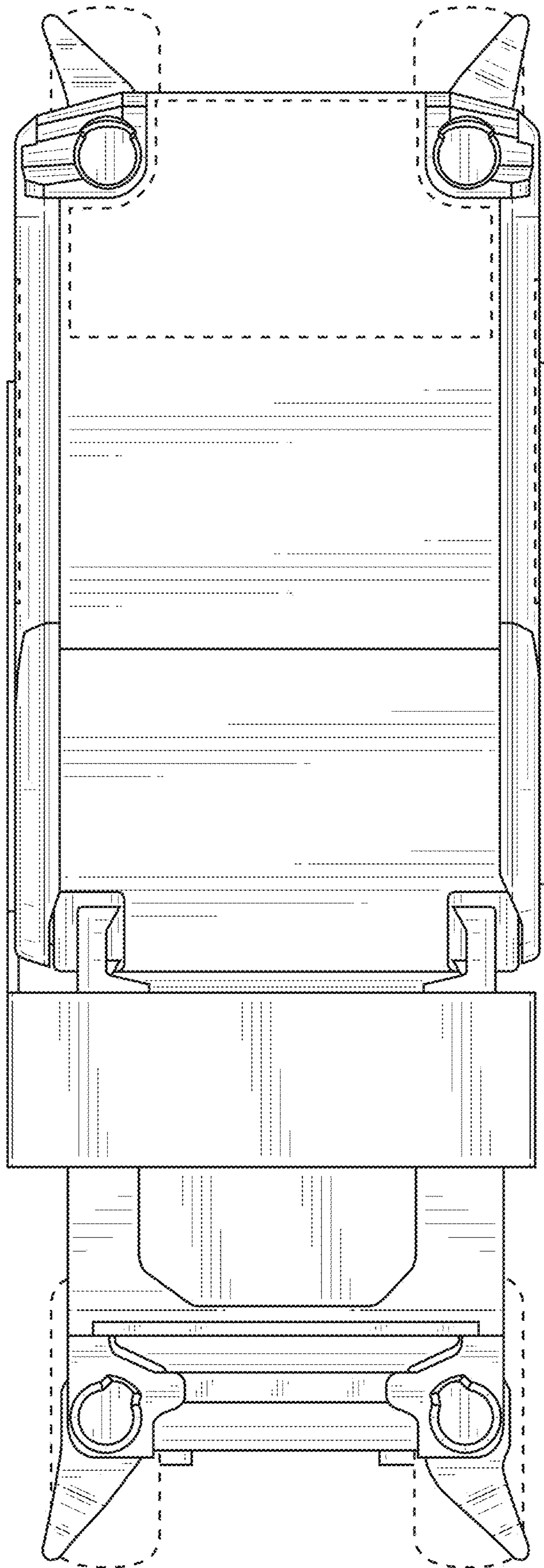


**FIG. 5**



**FIG. 6**





**FIG. 7**