



US00D897375S

(12) **United States Design Patent** (10) **Patent No.:** **US D897,375 S**
Moore et al. (45) **Date of Patent:** **** Sep. 29, 2020**

(54) **OPERATOR PAD FOR STAND-ON MACHINE**

(71) Applicant: **Exmark Manufacturing Company, Incorporated, Beatrice, NE (US)**

(72) Inventors: **Nickolas T. Moore, Beatrice, NE (US); Christian Stanton Carver Bryant, Lincoln, NE (US)**

(73) Assignee: **Exmark Manufacturing Company, Incorporated, Beatrice, NE (US)**

(**) Term: **15 Years**

(21) Appl. No.: **29/689,815**

(22) Filed: **May 2, 2019**

(51) **LOC (12) Cl.** **15-03**

(52) **U.S. Cl.**
USPC **D15/17**

(58) **Field of Classification Search**
USPC D15/10, 11, 14, 15, 17, 28
CPC A01D 34/82; B62D 51/02; B62B 3/0612;
B62B 5/087

See application file for complete search history.

(56) **References Cited**

U.S. PATENT DOCUMENTS

D359,740 S	6/1995	Crosby et al.	
5,533,676 A *	7/1996	Conley	A01D 43/14 239/168
D380,219 S *	6/1997	Kinnard	D15/140
D380,761 S	7/1997	Saylor	
5,778,648 A *	7/1998	Parkes	A01D 43/077 56/13.3
5,816,033 A	10/1998	Busboom et al.	
D409,208 S	5/1999	Eavenson et al.	
D410,931 S	6/1999	Allen	
6,948,739 B2	9/2005	Gallagher et al.	
D588,613 S *	3/2009	Schroeder	D15/17
D624,562 S	9/2010	Neeley et al.	
7,793,979 B2	9/2010	Kraimer et al.	

D626,572 S	11/2010	Moriguchi et al.	
D655,316 S	3/2012	Moriguchi et al.	
8,262,104 B2	9/2012	Kallevig et al.	
D670,746 S	11/2012	Ewringmann	
D674,816 S	1/2013	Higashikawa et al.	
D681,685 S	5/2013	Higashikawa	
D715,329 S	10/2014	Higashikawa et al.	
D720,515 S *	12/2014	Warner	D34/35

(Continued)

FOREIGN PATENT DOCUMENTS

WO 2017214467 12/2017

OTHER PUBLICATIONS

“Scag V-Ride Operator’s Manual,” Selected pages SCAG Power Equipment 2015 (12 pages).

(Continued)

Primary Examiner — Mark A Goodwin

(74) *Attorney, Agent, or Firm* — Pauly, DeVries Smith & Deffner LLC

(57) **CLAIM**

The ornamental design for an operator pad for a stand-on machine, as shown and described.

DESCRIPTION

FIG. 1 is a front perspective view of an operator pad for stand-on machine showing our new design.

FIG. 2 is a front view thereof.

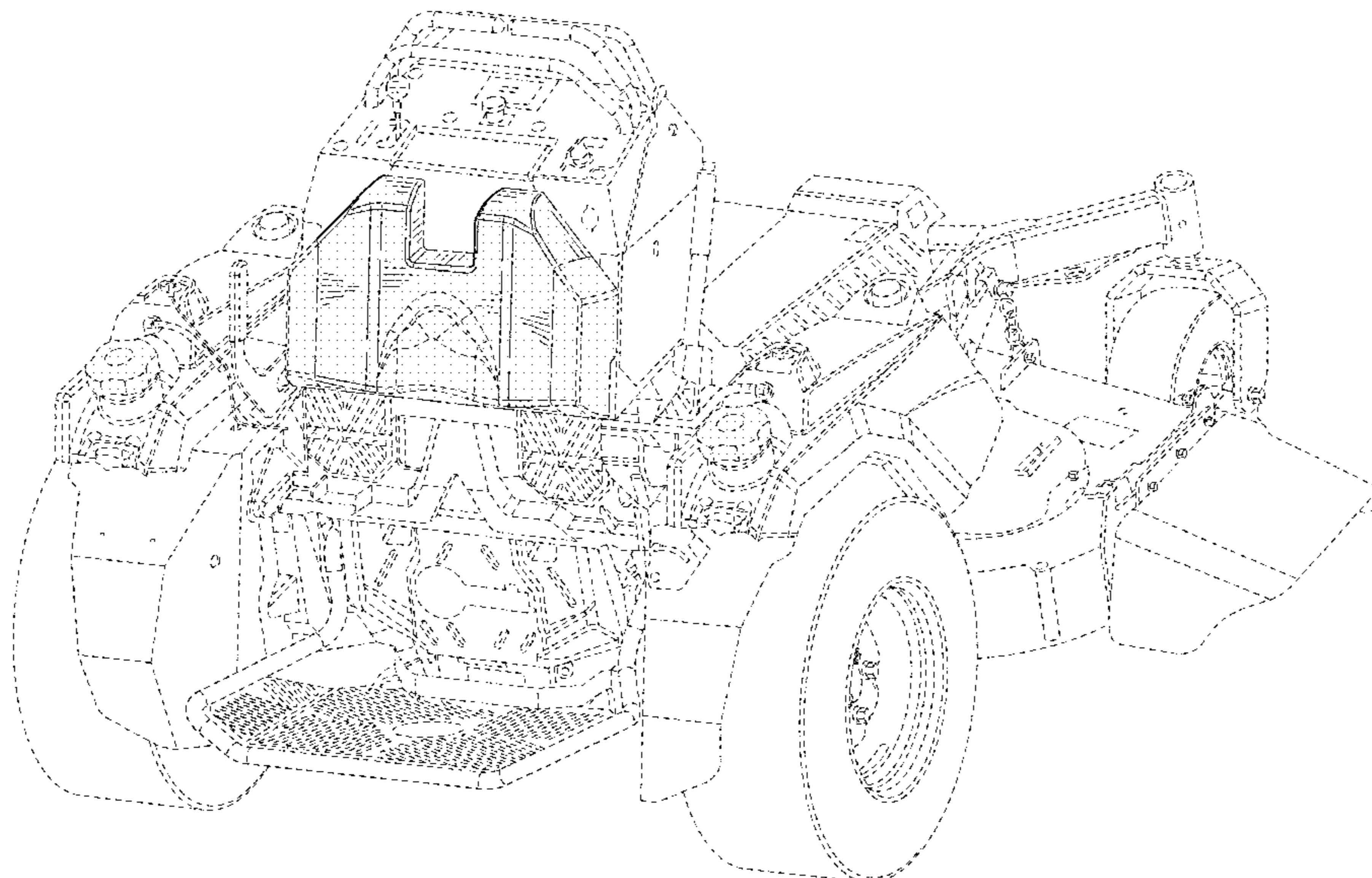
FIG. 3 is a right side view thereof, the left side view being a mirror image thereof.

FIG. 4 is a top view thereof; and,

FIG. 5 is a bottom view thereof.

The broken lines in the drawings illustrate the environment and do not form a part of the claimed design. The back portion of the operator pad is not visible during normal use and forms no part of the claimed design.

1 Claim, 3 Drawing Sheets



(56)

References Cited

U.S. PATENT DOCUMENTS

8,905,183 B2 * 12/2014 Warner B60N 2/24
180/315
D722,619 S 2/2015 Phillips et al.
D722,620 S 2/2015 Phillips et al.
D742,931 S 11/2015 Burns, Jr. et al.
D751,611 S 3/2016 Smith et al.
D772,309 S 11/2016 Underhill et al.
D778,961 S * 2/2017 Foster D15/17
D784,426 S 4/2017 Okuyama et al.
D789,423 S 6/2017 Shi
D806,761 S 1/2018 Jackson et al.
D806,762 S 1/2018 Loew et al.
D835,685 S 12/2018 Niclot
D866,609 S 11/2019 Long
D866,610 S 11/2019 Long
D866,611 S 11/2019 Long
D866,612 S 11/2019 Long
2005/0016782 A1 * 1/2005 Gallagher B62D 51/02
180/89.12
2010/0289233 A1 * 11/2010 Kallevig A01D 34/82
280/32.5

OTHER PUBLICATIONS

“Ex Parte Quayle Action,” for U.S. Appl. No. 29/689,813 (our file 428.0009US01) dated Aug. 7, 2020 (7 pages).

* cited by examiner

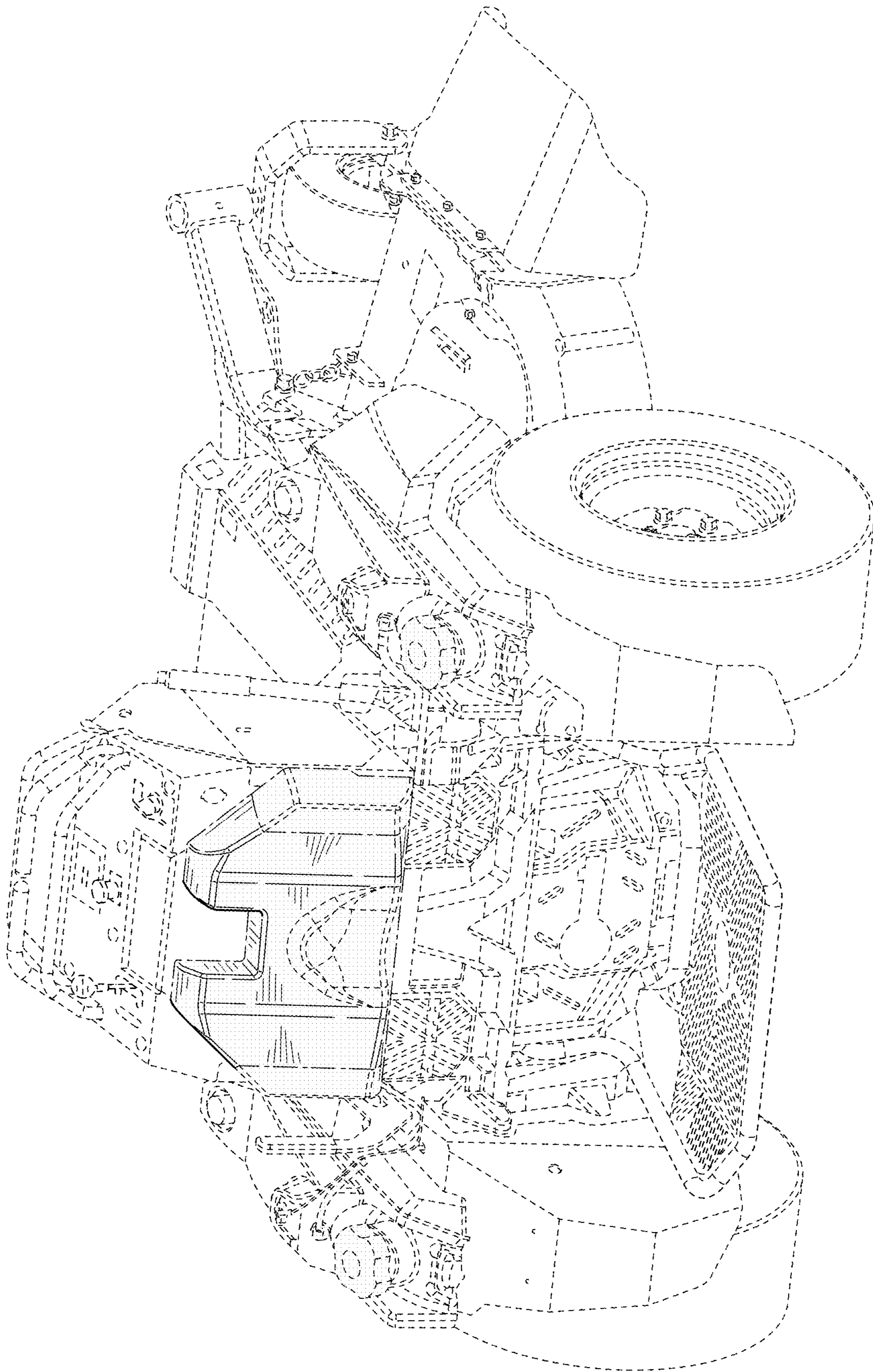


FIG. 1

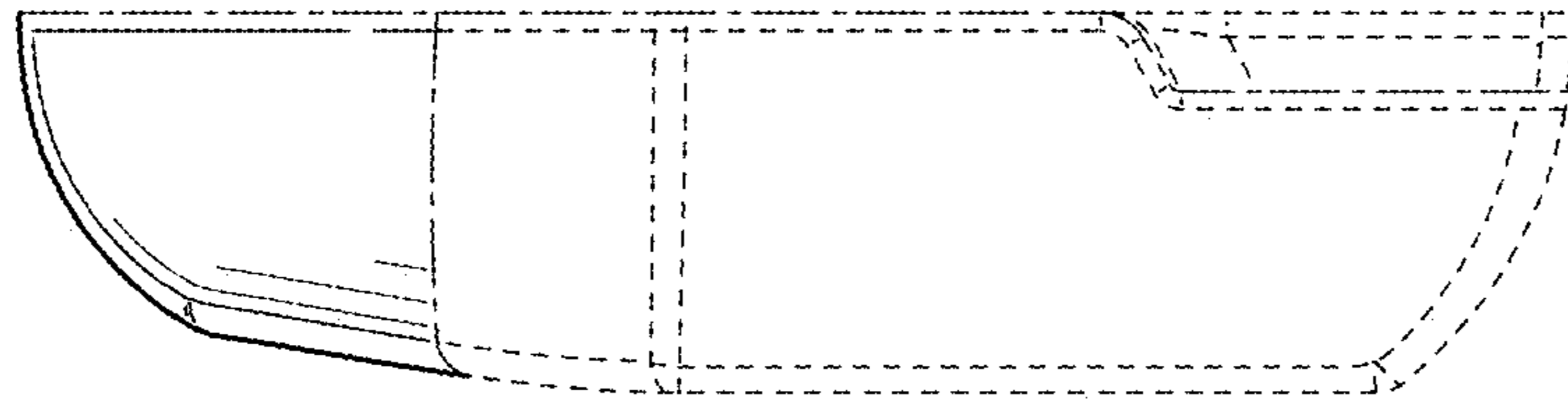


FIG. 3

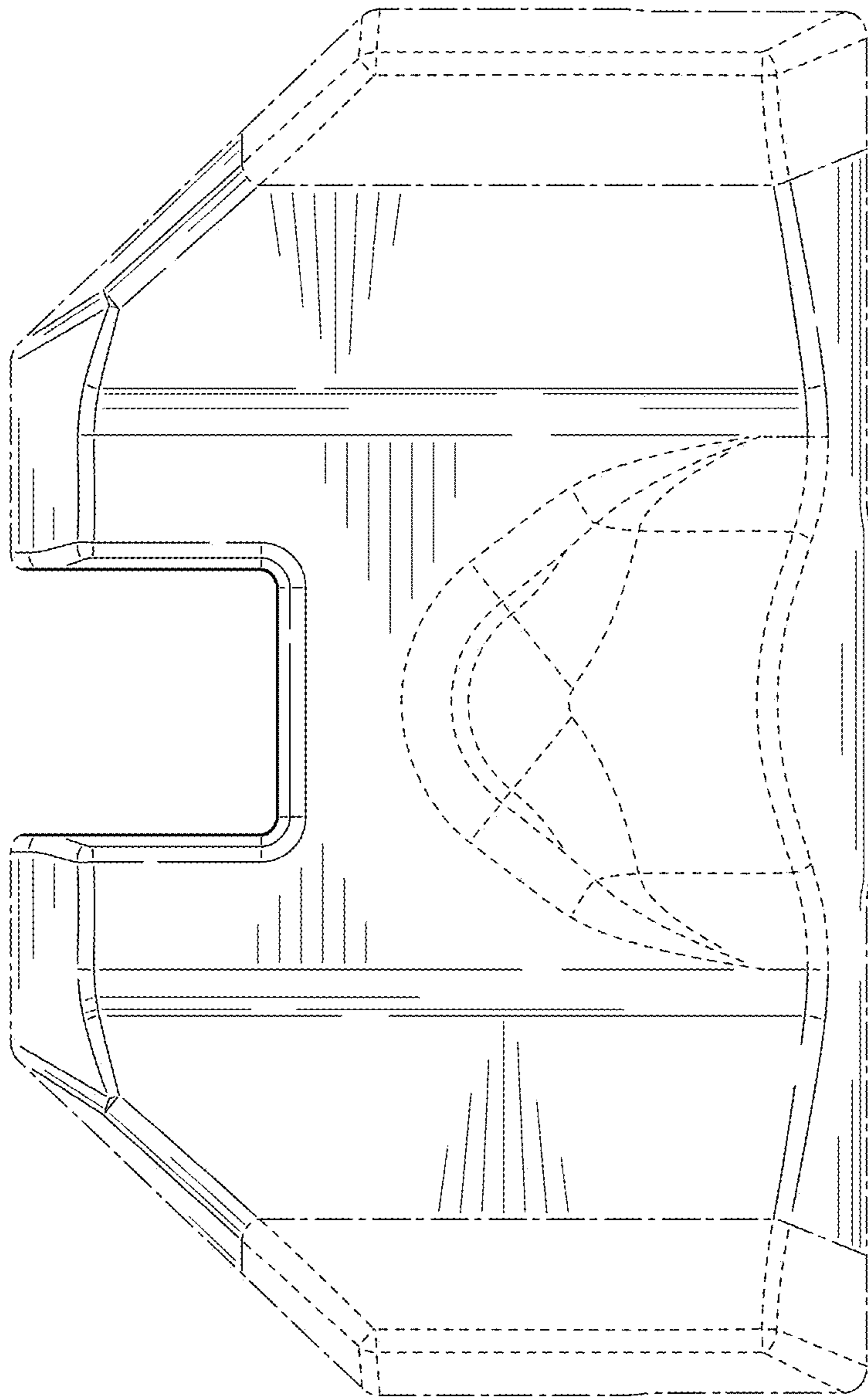


FIG. 2

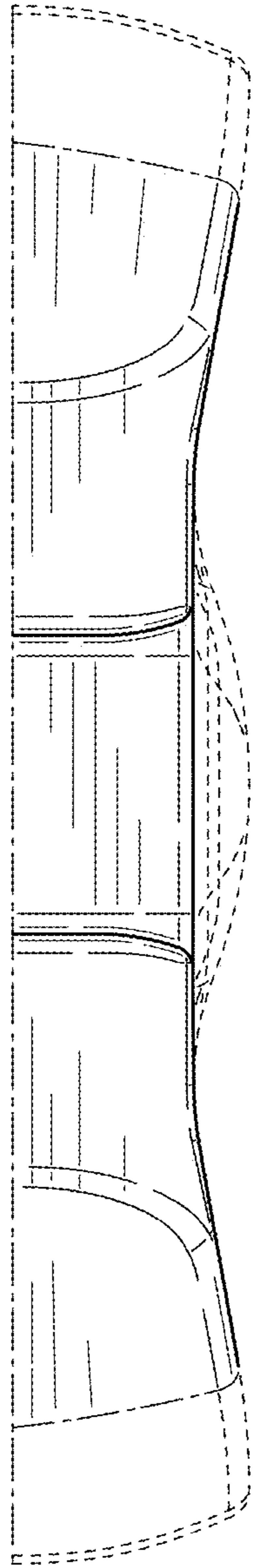


FIG. 4

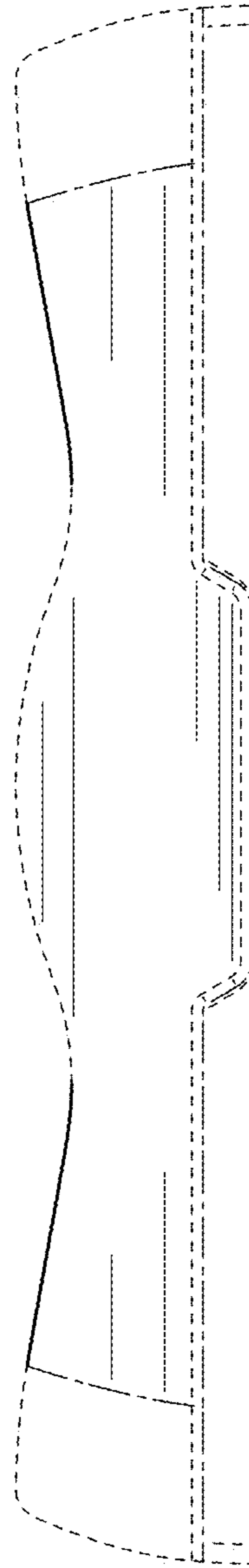


FIG. 5