



US00D897374S

(12) **United States Design Patent**
Johnson

(10) **Patent No.:** **US D897,374 S**

(45) **Date of Patent:** **** Sep. 29, 2020**

(54) **ENGINE MOUNT**

(71) Applicant: **North American Aerospace Corporation, West Kelowna (CA)**

(72) Inventor: **Scott Johnson, Kelowna (CA)**

(73) Assignee: **NORTH AMERICAN AEROSPACE CORPORATION, West Kelowna, BC (CA)**

(**) Term: **15 Years**

(21) Appl. No.: **29/668,954**

(22) Filed: **Nov. 3, 2018**

(51) **LOC (12) Cl.** **15-01**

(52) **U.S. Cl.**
USPC **D15/5**

(58) **Field of Classification Search**
USPC D12/223, 160, 172, 345; D15/5
CPC F16F 13/10; F16F 13/26-30; F16F 13/106;
F16F 13/108; F16F 13/1481; F16F
15/00-03; F16F 7/00-10; B60G 17/00
See application file for complete search history.

(56) **References Cited**

U.S. PATENT DOCUMENTS

D246,901 S *	1/1978	Duty, Jr.	D15/5
4,415,148 A *	11/1983	Mair	F16F 13/22 248/559
4,657,227 A *	4/1987	Hofmann	F16F 13/10 267/140.13
4,739,962 A *	4/1988	Morita	F16F 9/34 267/140.13
5,172,894 A *	12/1992	Hein	F16F 13/1481 267/140.12
5,280,886 A *	1/1994	Gartner	B60K 5/1283 267/140.13
5,853,063 A *	12/1998	Meyerink	F16F 13/106 267/140.13
6,464,213 B1 *	10/2002	Kojima	F16F 13/00 188/267

6,612,554 B1 *	9/2003	Linn	F16F 13/105 267/140.13
9,772,002 B2 *	9/2017	Ueki	B60K 5/1208
2008/0116350 A1 *	5/2008	Kim	F16F 13/108 248/543
2009/0065676 A1 *	3/2009	Halladay	F16F 1/3605 248/647

(Continued)

OTHER PUBLICATIONS

Lord, Lord Elastomeric Engine Mounts—Beechcraft, (site visited May 20, 2020), Aircraft Spruce & Speciality Co website URL: <https://www.aircraftspruce.com/catalog/eppages/lordenginepartsbeechcraft.php?gclid=EAAlalQobChMlrJP6zefC6QIVJYFaBR2ntg7_EAQYASABEGksn_D_BwE> (Year: 2020).*

(Continued)

Primary Examiner — Sheryl Lane
Assistant Examiner — Mark T Philipps
(74) *Attorney, Agent, or Firm* — Fenwick & West LLP

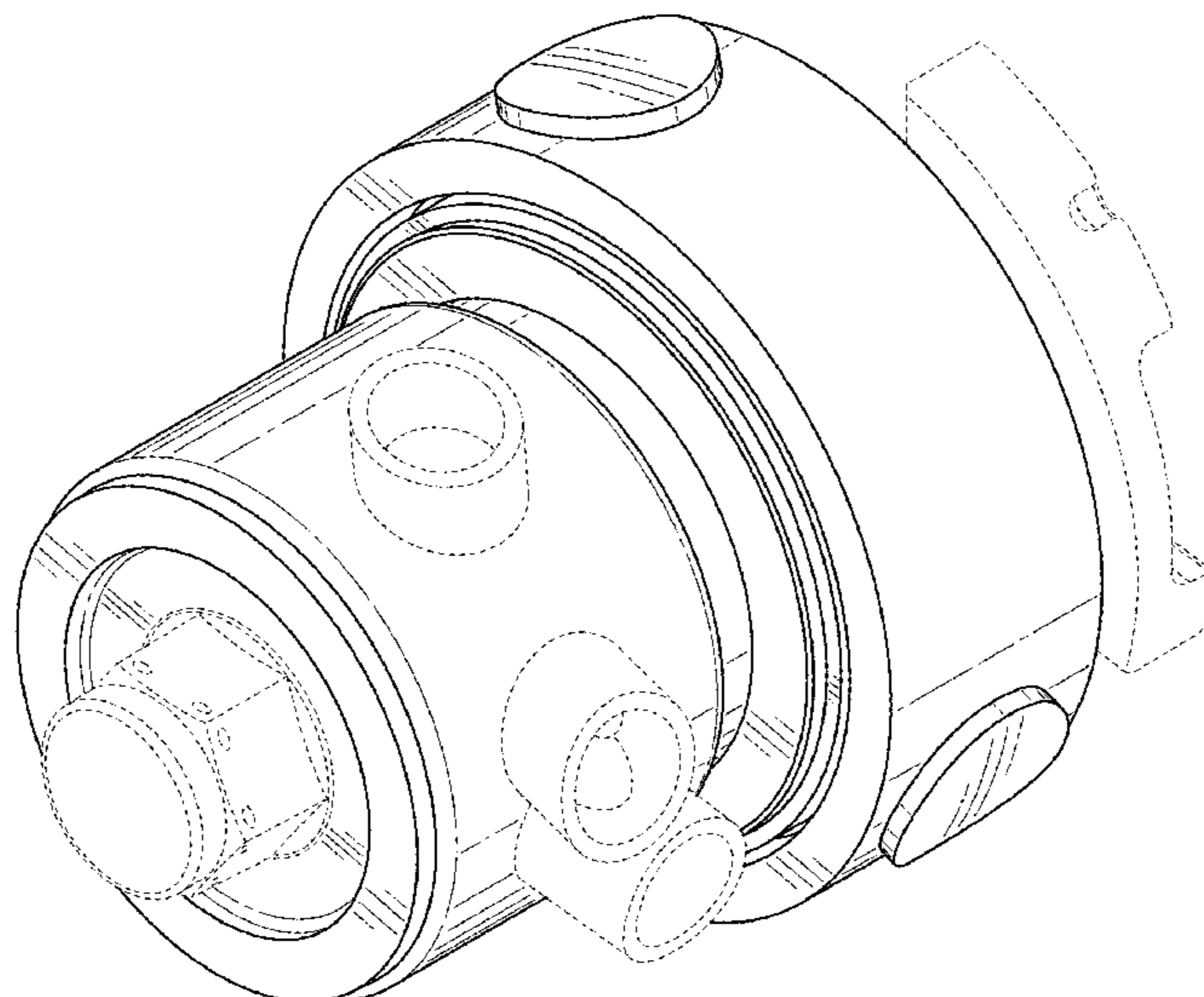
(57) **CLAIM**

The ornamental design for an engine mount, as shown and described.

DESCRIPTION

FIG. 1 is a front, right, and top side perspective view of an engine mount;
FIG. 2 is a rear, left, and bottom side perspective view thereof;
FIG. 3 is a front view thereof;
FIG. 4 is a rear view thereof;
FIG. 5 is a bottom view thereof;
FIG. 6 is a top view thereof;
FIG. 7 is a left side elevational view thereof; and,
FIG. 8 is a right side elevational view thereof.
In the drawings provided, the broken lines depict portions of the engine mount that form no part of the claimed design.

1 Claim, 8 Drawing Sheets



(56)

References Cited

U.S. PATENT DOCUMENTS

2013/0015614 A1* 1/2013 Bradshaw F16F 13/10
267/140.13
2014/0327198 A1* 11/2014 Preikszas F16F 13/107
267/140.13
2015/0041620 A1* 2/2015 Kim B60K 5/1208
248/634
2016/0138671 A1* 5/2016 Kim F16F 13/10
267/140.14
2016/0236560 A1* 8/2016 Sugita B60K 5/1208
2016/0369864 A1* 12/2016 Kubota B60K 5/1208
2017/0267090 A1* 9/2017 Kim B60K 5/1208
2018/0031073 A1* 2/2018 Lemaire F16F 13/264
2018/0056771 A1* 3/2018 Jo F16F 9/38
2018/0066726 A1* 3/2018 Parr F16F 13/103
2019/0017568 A1* 1/2019 Kim B60K 5/1225
2019/0061509 A1* 2/2019 Kim F16F 13/105
2019/0128363 A1* 5/2019 Kim F16H 57/025
2019/0160931 A1* 5/2019 Kim F16F 13/22
2019/0168594 A1* 6/2019 Beckmann B60K 5/1208
2020/0080614 A1* 3/2020 Zehnder, II B60K 5/12

OTHER PUBLICATIONS

Moroso, Vacuum Pump, Enhanced Design, Mount Bracket, 4 Vane, (site visited May 20, 2020) Moroso.com URL:<<https://www.moroso.com/enhanced-design-4-vane-vacuum-pump-kit22642/>> (Year: 2020).*

DEA, DEA A62009—Front OEM Hydraulic Engine Mount, (site visited May 20, 2020), carid.com URL:< <https://www.carid.com/dea/front-engine-mount-mpn-a62009.html>> (Year: 2020).*

* cited by examiner

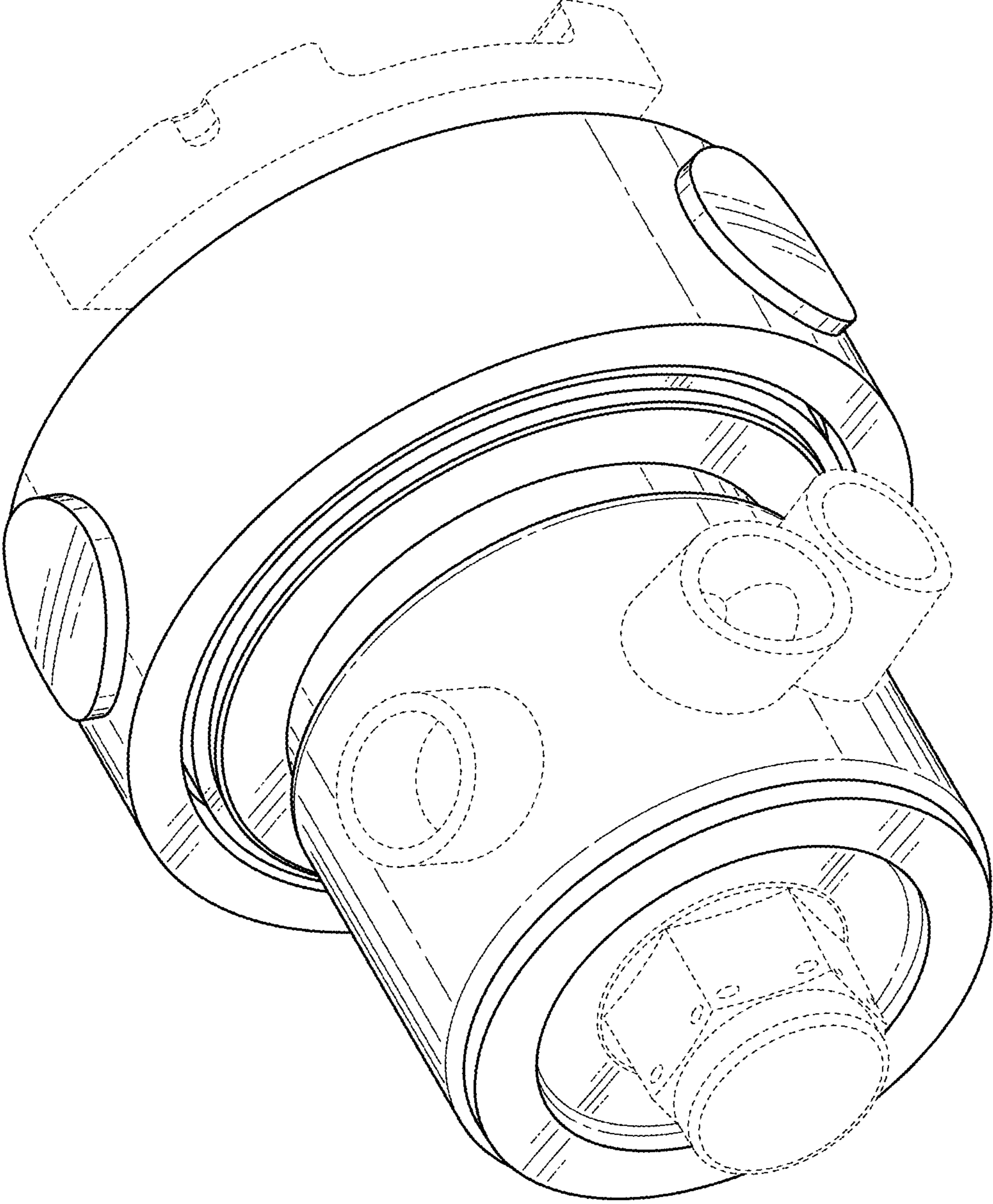


FIG. 1

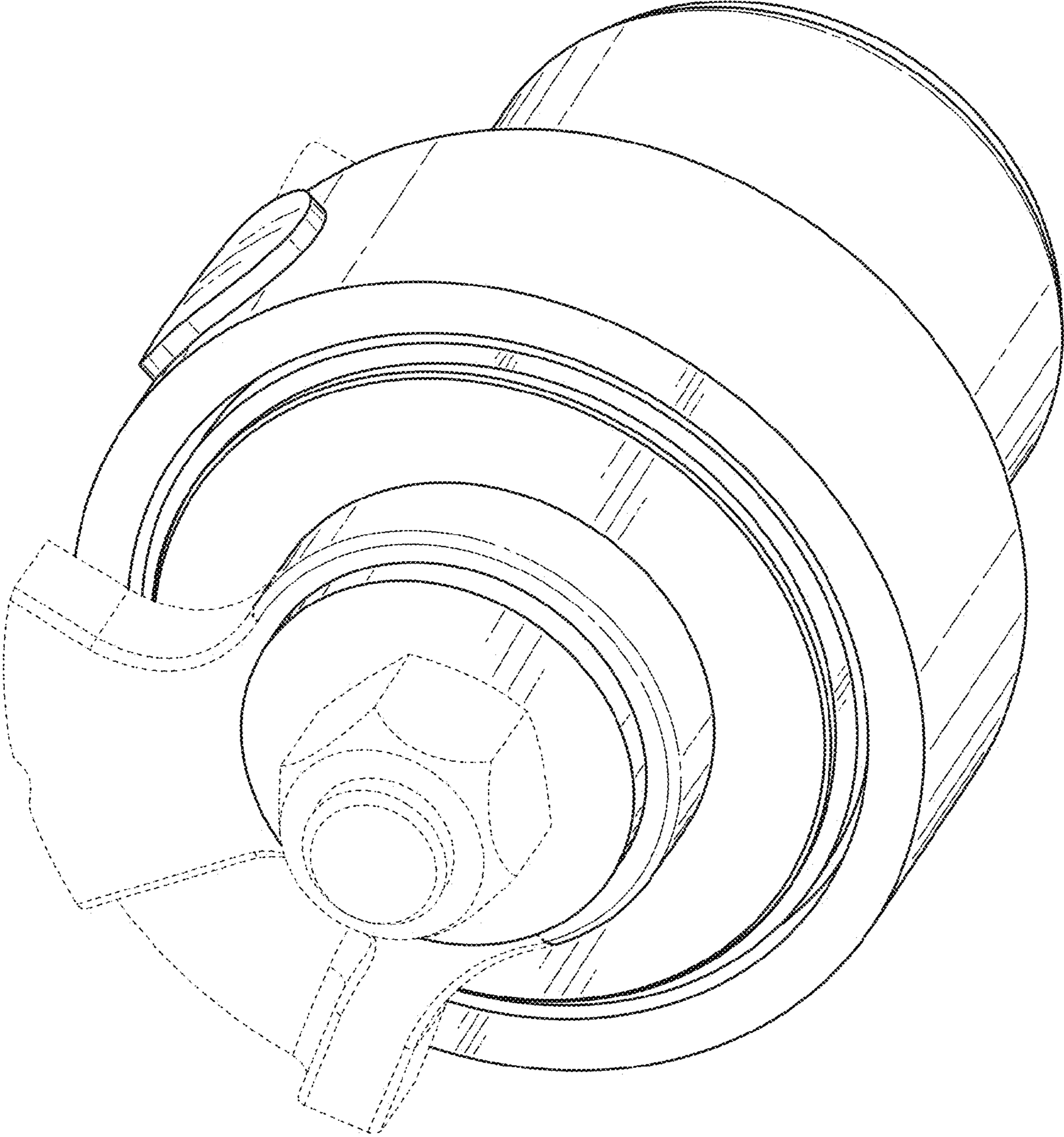


FIG. 2

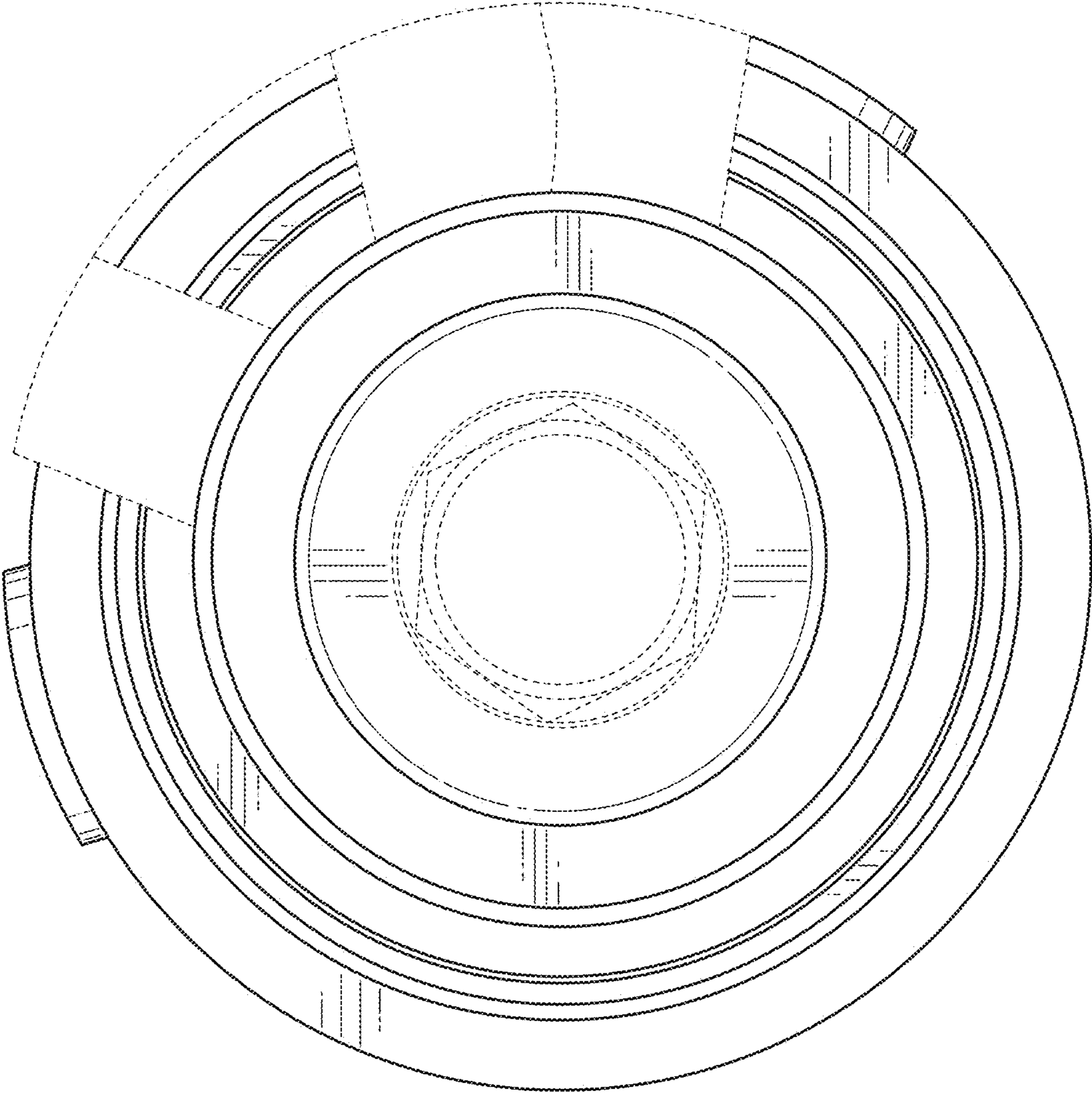


FIG. 3

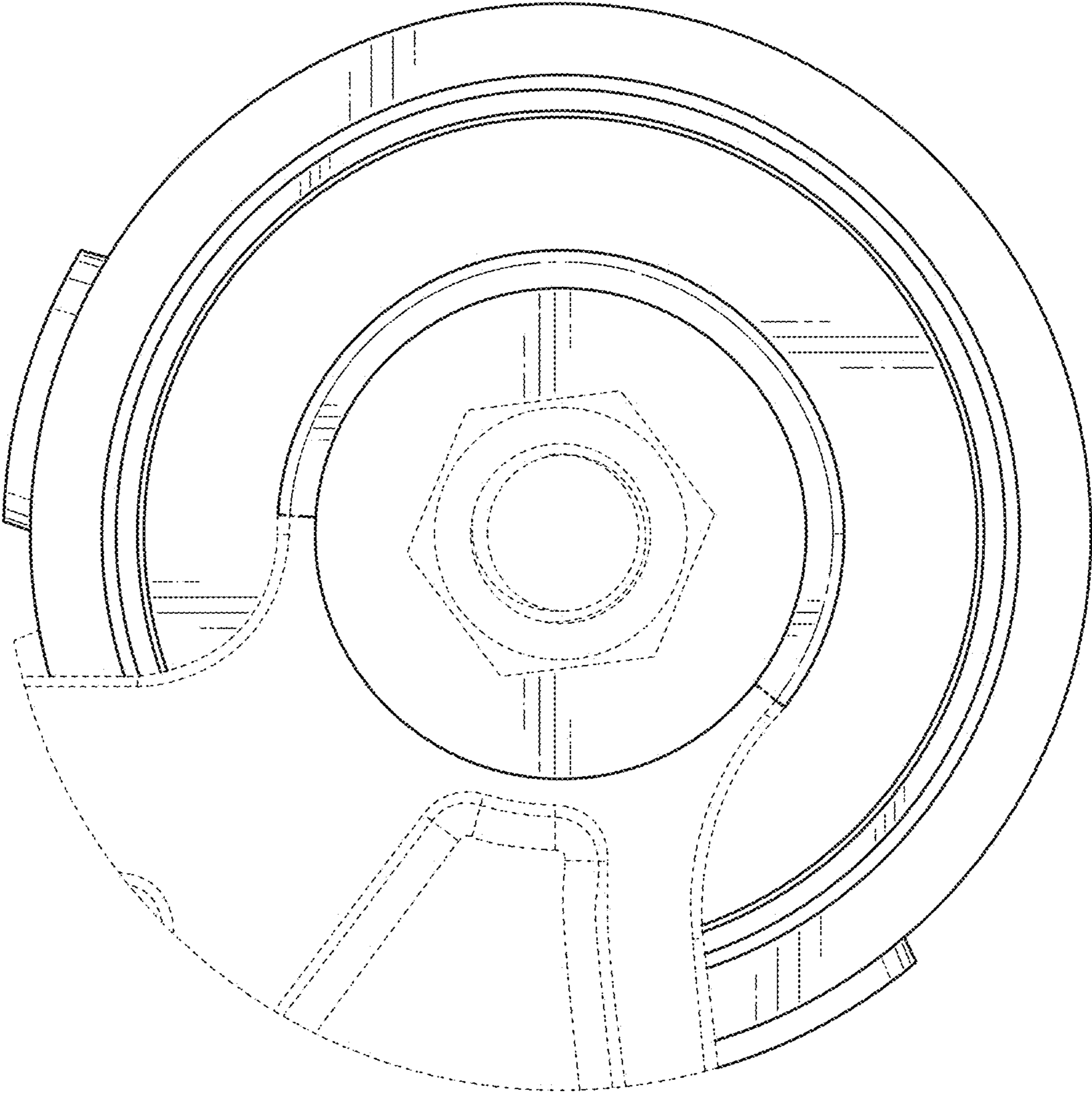


FIG. 4

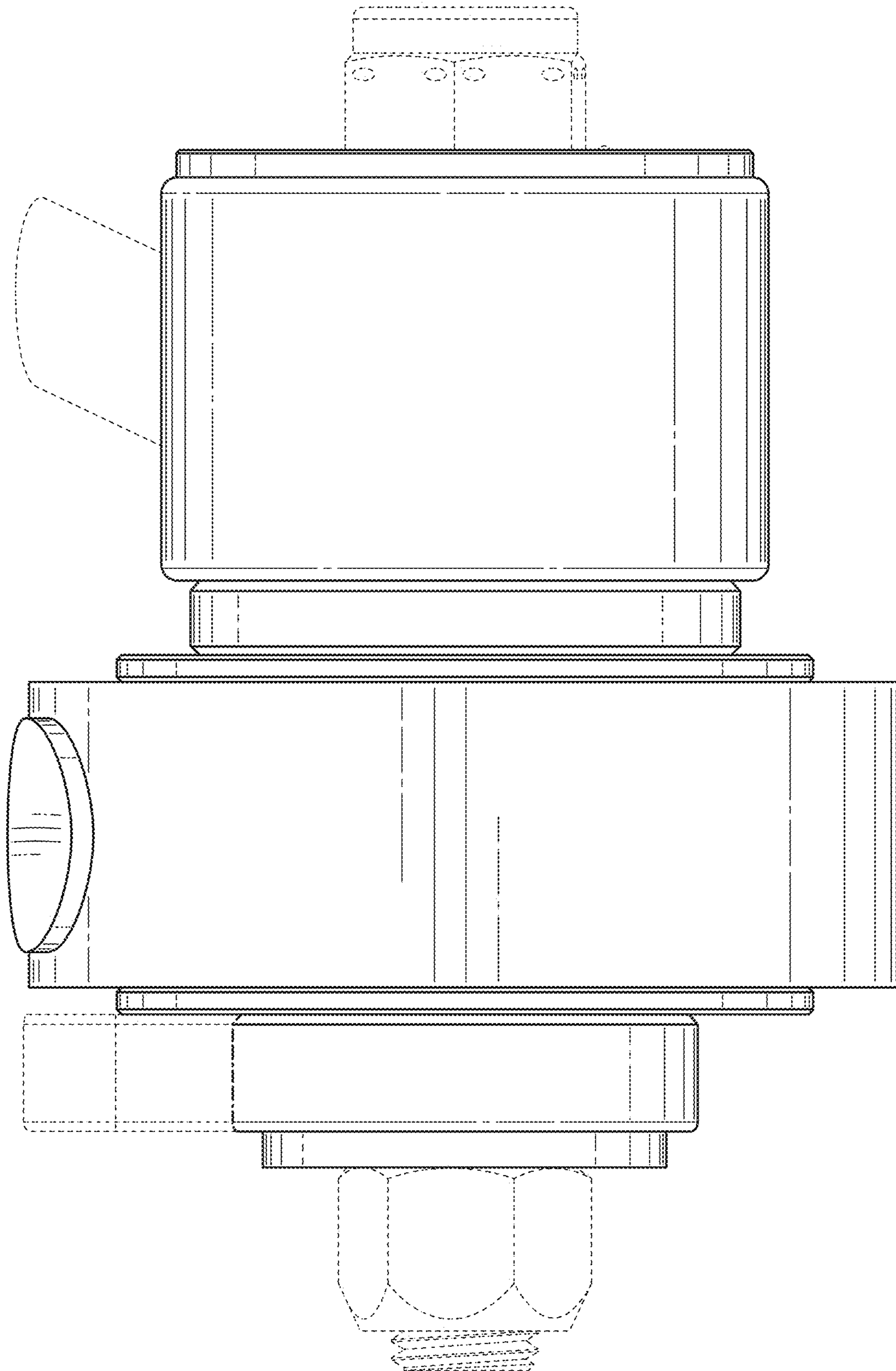


FIG. 5

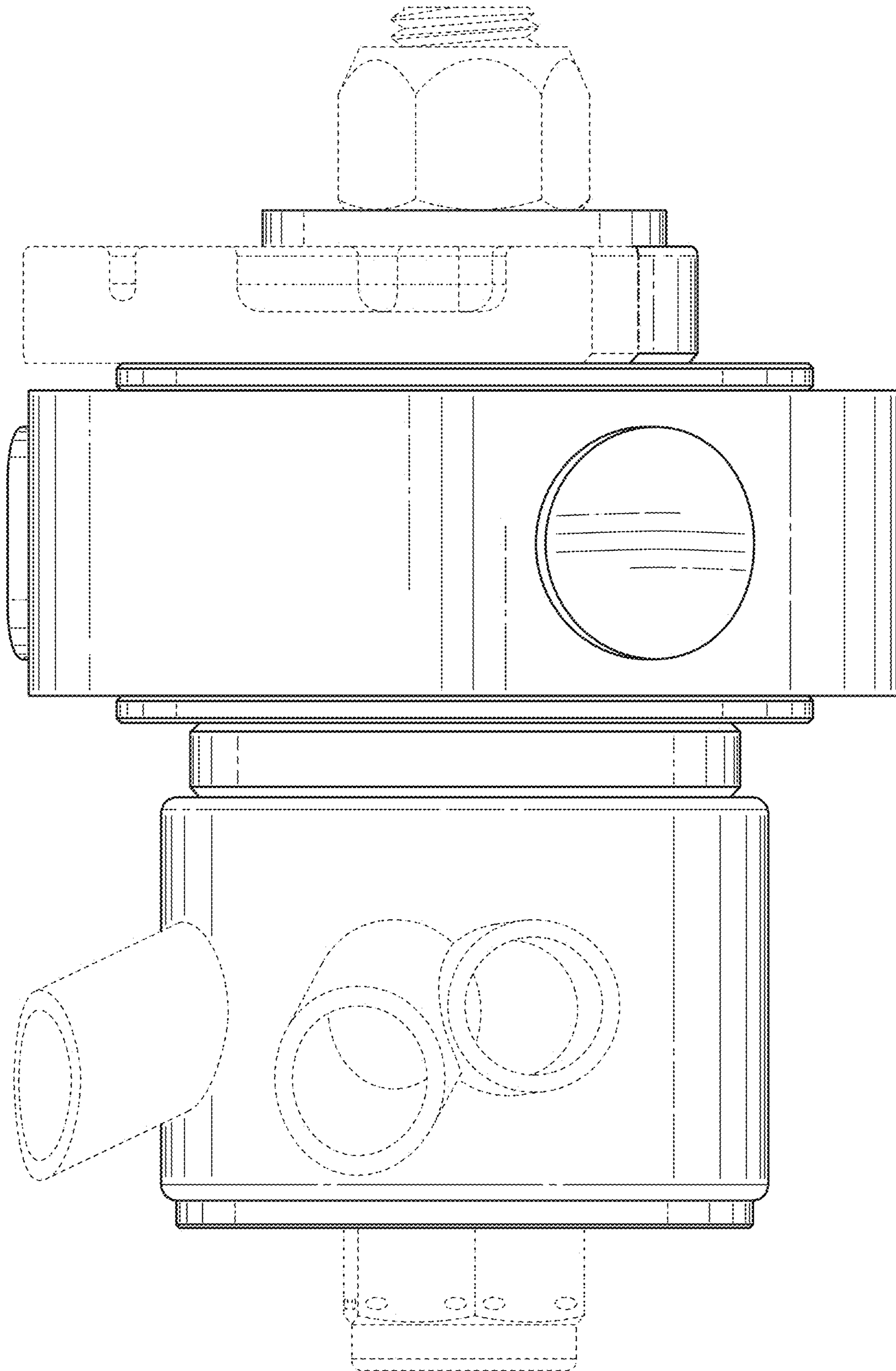


FIG. 6

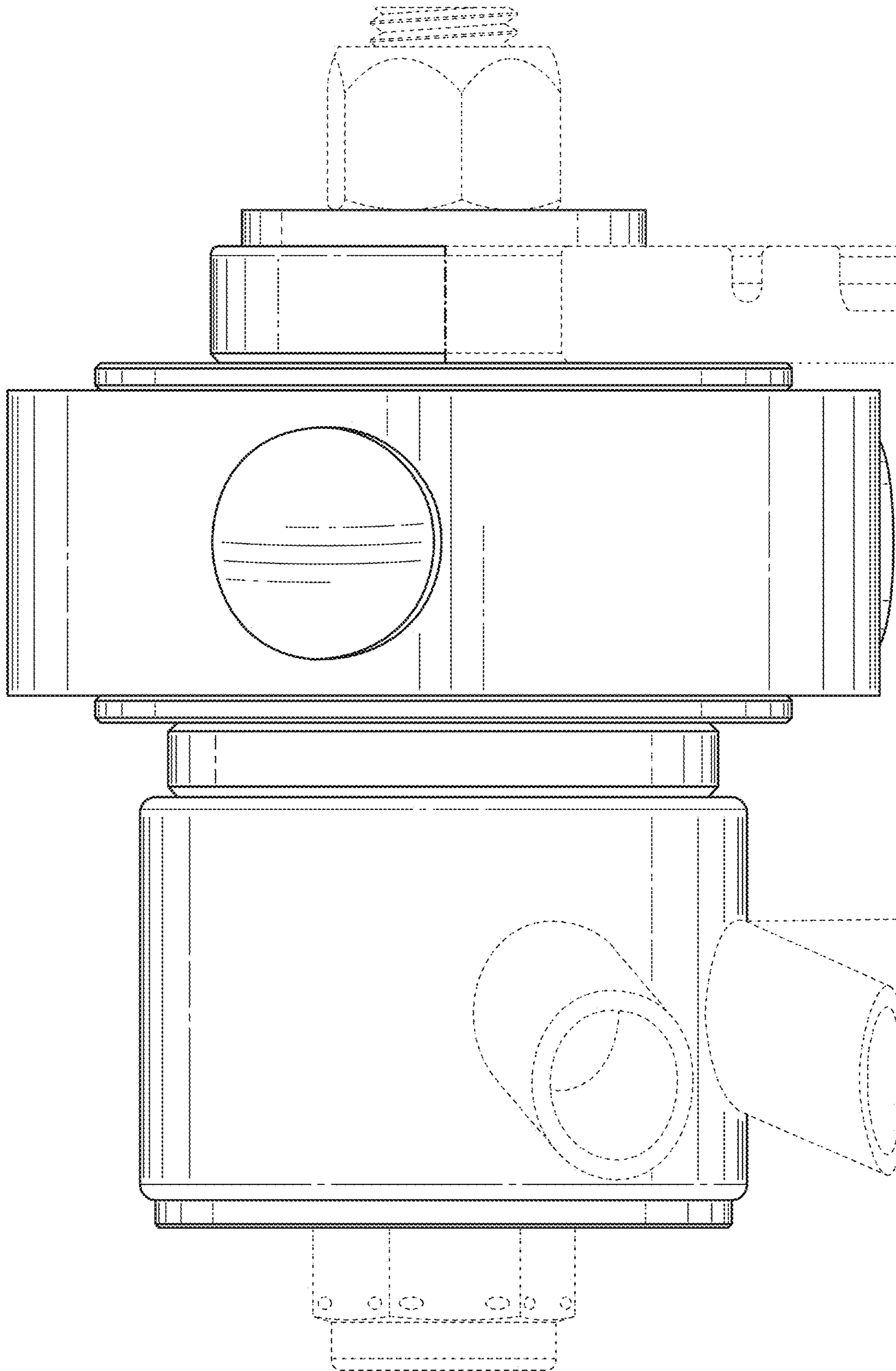


FIG. 7

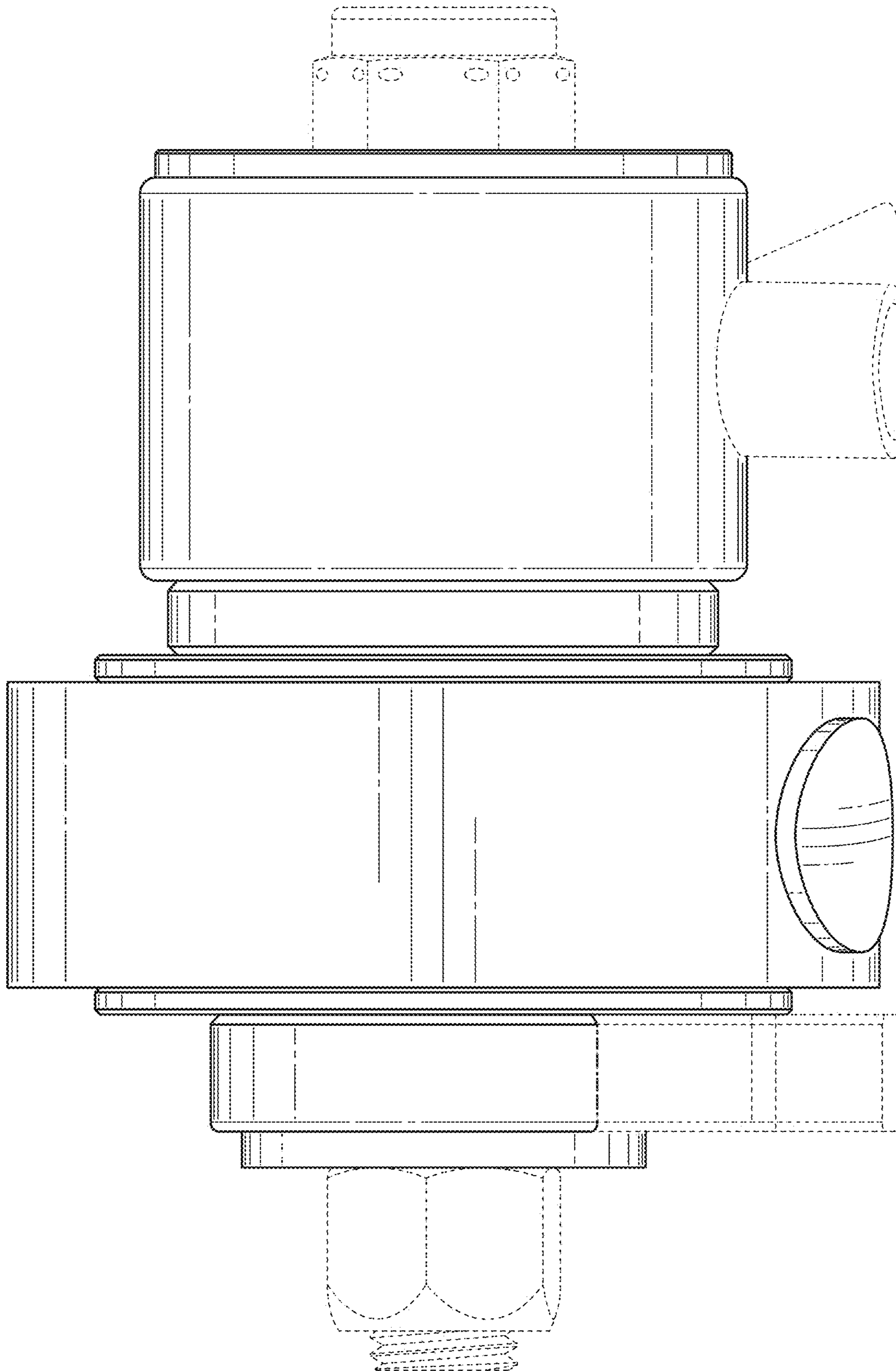


FIG. 8