

US00D897370S

(12) **United States Design Patent**
Ueta et al.

(10) **Patent No.:** **US D897,370 S**

(45) **Date of Patent:** **** Sep. 29, 2020**

(54) **DISPLAY SCREEN WITH GRAPHICAL USER INTERFACE**

H04N 2005/44547; H04N 2005/44556;
H04N 2005/4456; H04N 2005/44565;
H04N

(71) Applicant: **KOBELCO CONSTRUCTION MACHINERY CO., LTD.**,
Hiroshima-shi, Hiroshima (JP)

(Continued)

(56)

References Cited

(72) Inventors: **Toshiro Ueta**, Hiroshima (JP); **Yuta Suzuki**, Hiroshima (JP); **Jun Tsuruda**, Hiroshima (JP)

U.S. PATENT DOCUMENTS

D605,201 S * 12/2009 Lorenz D14/488
D783,053 S * 4/2017 Haase D14/492

(Continued)

(73) Assignee: **KOBELCO CONSTRUCTION MACHINERY CO., LTD.**,
Hiroshima-Shi, Hiroshima (JP)

FOREIGN PATENT DOCUMENTS

JP 1456883 S 12/2012

(**) Term: **15 Years**

OTHER PUBLICATIONS

(21) Appl. No.: **29/674,996**

(22) Filed: **Dec. 27, 2018**

Simpson, Nicola. "Business Insurance." iconfinder.com. Added Aug. 13, 2015. Accessed Feb. 27, 2020. Available online at URL: <https://www.iconfinder.com/iconsets/business-insurance-1> (Year: 2015).*

(30) **Foreign Application Priority Data**

(Continued)

Jul. 2, 2018 (JP) 2018-014568

(51) **LOC (12) Cl.** **14-04**

(52) **U.S. Cl.**
USPC **D14/492**

(58) **Field of Classification Search**
USPC D14/485-495; 345/1.1, 1.2, 2.1-2.3, 3.1, 345/902; 715/763, 810, 836, 837, 846, 715/847, 977

CPC G06F 3/048; G06F 3/0481; G06F 3/04812; G06F 3/04817; G06F 3/0482; G06F 3/0483; G06F 3/0484; G06F 3/04847; G06F 3/0485; G06F 3/04855; G06F 3/04886; G06Q 30/00; H03J 1/00; H03J 1/0008; H03J 1/0016; H03J 1/0025; H04N 5/00; H04N 5/08; H04N 5/14; H04N 5/222; H04N 5/225; H04N 5/232; H04N 5/445; H04N 5/44543; H04N 5/45; H04N 2005/44517; H04N 2005/44521; H04N 2005/44526; H04N 2005/4453; H04N 2005/44534; H04N 2005/44539;

Primary Examiner — Cathron C Brooks

Assistant Examiner — Christian P. McLean

(74) *Attorney, Agent, or Firm* — Birch, Stewart, Kolasch & Birch, LLP

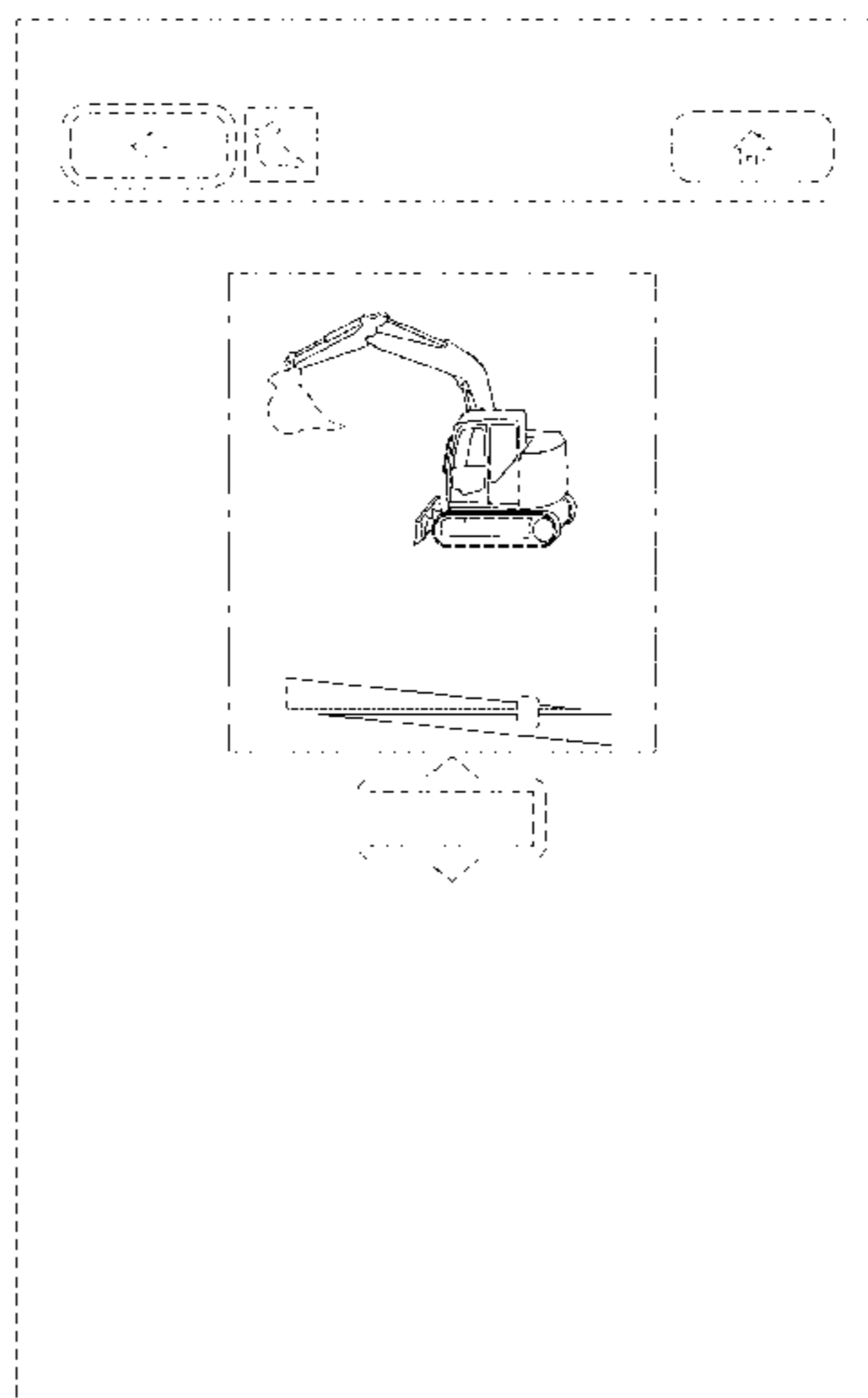
(57) **CLAIM**

The ornamental design for a display screen with graphical user interface, as shown and described.

DESCRIPTION

The FIGURE is a front view of a display screen with graphical user interface.
The outermost broken line illustrates a display screen and forms no part of the claimed design. The long-dash/short-dash broken line illustrates the boundary of the design and forms no part of the claim. The remaining broken lines illustrate portions of the graphical user interface that form no part of the claimed design.

1 Claim, 1 Drawing Sheet



(58) **Field of Classification Search**

CPC 2005/44569; H04N 2005/44573; H04N
21/00; H04N 21/234; H04N 21/431;
H04N 21/4312; H04N 21/4314; H04N
21/4316

See application file for complete search history.

D871,446 S * 12/2019 Binder D14/489
D871,448 S * 12/2019 Binder D14/489
D871,449 S * 12/2019 Binder D14/489
D871,450 S * 12/2019 Binder D14/489
2017/0024110 A1* 1/2017 Xu G06F 3/04883

OTHER PUBLICATIONS

(56) **References Cited**

U.S. PATENT DOCUMENTS

D786,305 S * 5/2017 Haase D14/492
D794,679 S * 8/2017 Dragoi D14/492
D834,064 S * 11/2018 Sikkema D14/492
D834,591 S * 11/2018 Lehmann D14/485
D851,677 S * 6/2019 Juhlin D14/492
D854,048 S * 7/2019 Shook D14/492
10,370,822 B2 * 8/2019 Yamashita E02F 9/2033
D858,574 S * 9/2019 Brinker D14/492
D864,249 S * 10/2019 Shook D14/492

“Construction Tools Set.” iconfinder.com. Added Apr. 27, 2019. Accessed Feb. 27, 2020. Available online at URL: <https://www.iconfinder.com/iconsets/construction-tools-set-4> (Year: 2019).*

U.S. Trademark Serial No. 88483145 to Sandhills Global, Inc. Filed Jun. 21, 2019. Accessed Feb. 27, 2020. Available online via Trademark Electronic Search System (TESS). (Year: 2019).*

U.S. Trademark Serial No. 86747373 to Ready Decks Franchise Systems, Inc. Filed Sep. 3, 2015. Accessed Feb. 27, 2020. Available online at URL: <http://tmsearch.uspto.gov/bin/gate.exe?f=doc&state=4807:a7pww9.3.55> (Year: 2015).*

* cited by examiner

