



US00D897352S

(12) **United States Design Patent** (10) **Patent No.:** **US D897,352 S**
Akana et al. (45) **Date of Patent:** **** Sep. 29, 2020**

(54) **KEYBOARD**

(71) Applicant: **Apple Inc.**, Cupertino, CA (US)

(72) Inventors: **Jody Akana**, San Francisco, CA (US);
Molly Anderson, San Francisco, CA (US);
Bartley K. Andre, Palo Alto, CA (US);
Shota Aoyagi, San Francisco, CA (US);
Anthony Michael Ashcroft, San Francisco, CA (US);
Jeremy Bataillou, San Francisco, CA (US);
Daniel J. Coster, San Francisco, CA (US);
Daniele De Iuliis, San Francisco, CA (US);
M. Evans Hankey, San Francisco, CA (US);
Julian Hoenig, San Francisco, CA (US);
Richard P. Howarth, San Francisco, CA (US);
Jonathan P. Ive, San Francisco, CA (US);
Duncan Robert Kerr, San Francisco, CA (US);
Peter Russell-Clarke, San Francisco, CA (US);
Benjamin Andrew Shaffer, San Jose, CA (US);
Mikael Silvanto, San Francisco, CA (US);
Christopher J. Stringer, Woodside, CA (US);
Clement Tissandier, San Francisco, CA (US);
Eugene Antony Whang, San Francisco, CA (US);
Rico Zörkendörfer, San Francisco, CA (US)

(73) Assignee: **Apple Inc.**, Cupertino, CA (US)

(**) Term: **15 Years**

(21) Appl. No.: **29/730,552**

(22) Filed: **Apr. 6, 2020**

Related U.S. Application Data

(63) Continuation of application No. 29/671,284, filed on Nov. 26, 2018, now Pat. No. Des. 880,488, which is a continuation of application No. 29/606,501, filed on Jun. 5, 2017, now Pat. No. Des. 834,586, which is a

continuation of application No. 29/558,786, filed on Mar. 21, 2016, now Pat. No. Des. 788,784.

(51) **LOC (12) CI.** **14-02**

(52) **U.S. CI.**
USPC **D14/455**

(58) **Field of Classification Search**

USPC D14/250, 315–327, 345, 391–399, 440, D14/455, 456

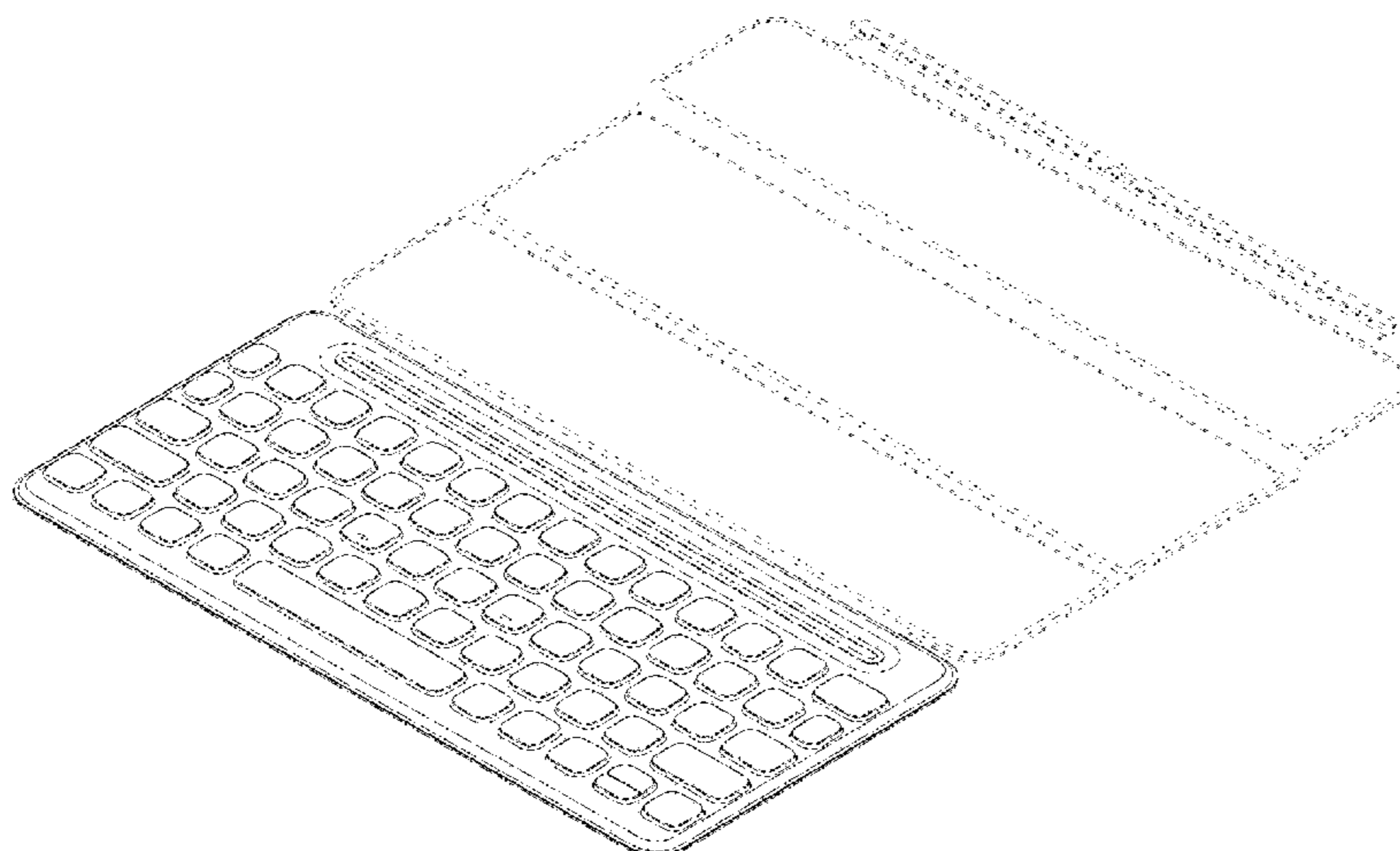
CPC G06F 1/16; G06F 1/1616; G06F 1/1626;
G06F 1/1632; G06F 1/1613; G06F 1/1601;
G06F 1/1618; G06F 1/162; G06F 3/0221;
G06F 3/0216; H01R 35/02; H03M 11/00;
G09B 13/04; H03K 17/94; G09G 5/00;
F16M 11/10; H05K 5/00; H04M 1/0237;
H01H 13/14; H01H 13/84; B41J 5/00;
B41J 5/12; B41J 5/10

See application file for complete search history.

(56) **References Cited**

U.S. PATENT DOCUMENTS

3,461,009 A	8/1969	Snyder et al.
D317,935 S	7/1991	Sawano
D364,191 S	11/1995	Allen
D409,175 S	5/1999	Renk
5,908,265 A	6/1999	Mostkoff
D467,429 S	12/2002	Bone et al.
D470,150 S	2/2003	Lewis, Jr. et al.
D481,735 S	11/2003	Marucci et al.
6,900,794 B1	5/2005	San
D516,079 S	2/2006	Solomon et al.
D525,980 S	8/2006	Wang et al.
D581,726 S	12/2008	Shamoon
D582,423 S	12/2008	Ikeda et al.
D585,071 S	1/2009	Ikeda et al.
D592,211 S	5/2009	Ichise et al.
D598,451 S	8/2009	Andre et al.
D604,300 S	11/2009	Andre et al.
D604,736 S	11/2009	Andre et al.
D607,826 S	1/2010	Shaw
D607,827 S	1/2010	Shaw
D612,843 S	3/2010	Andre et al.
D616,886 S	6/2010	Andre et al.
D637,814 S	5/2011	Akana et al.
D640,695 S	6/2011	Andre et al.
D645,471 S	9/2011	Gardner et al.
D645,860 S	9/2011	Andre et al.
D653,665 S	2/2012	Maruyama



8,124,216 B2 2/2012 Antonini
D656,929 S 4/2012 Hsiung
D658,186 S 4/2012 Akana et al.
D669,477 S 10/2012 Akana et al.
D671,114 S 11/2012 Akana et al.
D672,353 S 12/2012 Liu
D672,360 S 12/2012 Lee et al.
D672,781 S 12/2012 Lu
D674,800 S 1/2013 Kim
D676,048 S 2/2013 McManigal et al.
D676,848 S 2/2013 Smith et al.
D677,668 S 3/2013 Phillips et al.
D678,260 S 3/2013 Bau
D678,278 S 3/2013 Brown
D678,300 S 3/2013 Groene et al.
D679,279 S 4/2013 Yang et al.
D679,703 S 4/2013 Tanaka
D682,832 S 5/2013 Smith et al.
D682,839 S 5/2013 SampSon et al.
D685,802 S 7/2013 Canizares et al.
D688,251 S 8/2013 Akana et al.
D689,059 S 9/2013 Tak et al.
D691,135 S 10/2013 Choi
D691,151 S 10/2013 Hsu
D692,886 S 11/2013 Bates et al.
D692,902 S 11/2013 Groene et al.
D695,291 S 12/2013 Andre et al.
D695,464 S 12/2013 Hardy
D695,743 S 12/2013 Akana et al.
D696,253 S 12/2013 Akana et al.
D696,254 S 12/2013 Groene et al.
D696,262 S 12/2013 Groene et al.
D696,667 S 12/2013 Helwig et al.
D701,214 S 3/2014 Gengler
D703,209 S 4/2014 Marcus
D704,702 S 5/2014 Akana et al.
D704,717 S 5/2014 Tanaka
D705,227 S 5/2014 Groene et al.
D706,270 S 6/2014 Akana et al.
D714,791 S 10/2014 Liu
D720,355 S 12/2014 Akana et al.
D720,747 S 1/2015 Kim et al.
D720,748 S 1/2015 Groene et al.
D727,324 S 4/2015 King
D731,485 S 6/2015 Kim et al.
D731,486 S 6/2015 Kim et al.
D735,196 S 7/2015 Son
D735,205 S 7/2015 Akana et al.
D735,212 S 7/2015 Son
D740,113 S 10/2015 Olenick
D740,298 S 10/2015 Son et al.
D740,831 S 10/2015 Colby
D742,740 S 11/2015 Kim et al.
D746,819 S 1/2016 Feiz et al.
D749,587 S 2/2016 Lee et al.
D750,079 S 2/2016 Chen et al.
D750,081 S 2/2016 Jeong et al.
D750,094 S 2/2016 Gengler
D750,095 S 2/2016 Jeong et al.
D750,629 S 3/2016 Kim et al.
D751,553 S 3/2016 Kim et al.
D751,567 S 3/2016 Seoc et al.
D753,648 S 4/2016 Shyu et al.
D754,652 S 4/2016 Roberts et al.
D754,659 S 4/2016 Kim et al.
D757,023 S 5/2016 Bowers et al.
D758,377 S 6/2016 Warren et al.
D761,267 S * 7/2016 Chen D14/345
D765,630 S 9/2016 Harata et al.
D772,885 S 11/2016 Akana et al.
D772,886 S 11/2016 Akana et al.
D773,474 S 12/2016 Akana et al.
D775,133 S 12/2016 Akana et al.
D775,630 S 1/2017 Starrett
D776,115 S * 1/2017 Akana D14/392
D776,116 S * 1/2017 Akana D14/392
D778,918 S 2/2017 Sauvage
D779,485 S * 2/2017 Akana D14/345
D779,489 S 2/2017 Akana et al.

D779,490 S 2/2017 Akana et al.
D780,758 S 3/2017 Bailey et al.
D780,800 S 3/2017 Bi
D786,249 S 5/2017 Feiz et al.
D788,784 S * 6/2017 Akana D14/456
D789,934 S 6/2017 Akana et al.
D789,941 S * 6/2017 Sauvage D14/455
D789,942 S 6/2017 Bailey et al.
D791,780 S 7/2017 Bailey et al.
D797,111 S 9/2017 Sauvage et al.
D799,485 S 10/2017 Kim et al.
D799,496 S 10/2017 Bailey et al.
D801,973 S 11/2017 Feng
D820,838 S 6/2018 Akana et al.
D820,839 S * 6/2018 Akana D14/345
D820,840 S 6/2018 Akana et al.
D820,841 S 6/2018 Akana et al.
D832,836 S 11/2018 Akana et al.
D834,586 S * 11/2018 Akana D14/455
D880,488 S * 4/2020 Akana D14/455
D883,986 S * 5/2020 Akana D14/440
2007/0121311 A1 5/2007 Chou
2008/0266782 A1 10/2008 Zhang
2009/0159763 A1 6/2009 Kim
2009/0283393 A1 11/2009 Chen et al.
2011/0042195 A1 2/2011 Tsai
2011/0227463 A1 9/2011 Hou et al.
2012/0140396 A1 6/2012 Zelif et al.
2012/0194448 A1 8/2012 Rothkopf
2012/0211377 A1 8/2012 Sajid
2012/0261289 A1 10/2012 Wyner et al.
2013/0233762 A1 9/2013 Balaji et al.
2014/0158645 A1 6/2014 Thomas
2014/0186085 A1 7/2014 Zhang
2014/0267050 A1 9/2014 Spollen et al.
2016/0018854 A1 1/2016 Yu et al.
2016/0119011 A1 4/2016 Thompson et al.

FOREIGN PATENT DOCUMENTS

JP D1475195 S 7/2013
JP D1517990 S 2/2015
JP D1537210 S 11/2015
JP D1547736 S 4/2016
KR 30-0779797 S 1/2015

OTHER PUBLICATIONS

Belkin International, Inc., "Belkin EXPANDS Keyboard Lineup To New Apple iPad Mini," dated Nov. 14, 2012.
Wayback Machine Internet Archive, Tangram Design Lab Inc., "Smart Top: IPAD and Wireless Keyboard at a Time" <<https://web.archive.org/web/20121013124127/http://tangramdesignlab.com/smarttop/en!>> dated Oct. 13, 2012, accessed Nov. 9, 2016.

* cited by examiner

Primary Examiner — Keli L Hill
Assistant Examiner — Harold E Blackwell, II
(74) *Attorney, Agent, or Firm* — Sterne, Kessler, Goldstein & Fox P.L.L.C.

(57) CLAIM

The ornamental design for a keyboard, as shown and described.

DESCRIPTION

FIG. 1 is a top front perspective view of a keyboard cover showing the claimed design;
FIG. 2 is a bottom rear perspective view thereof;
FIG. 3 is a front view thereof;
FIG. 4 is a rear view thereof;

FIG. 5 is a left side view thereof;

FIG. 6 is a right side view thereof;

FIG. 7 is a top view thereof; and,

FIG. 8 is a bottom view thereof.

The broken lines in the figures show portions of the keyboard that form no part of the claimed design.

1 Claim, 6 Drawing Sheets

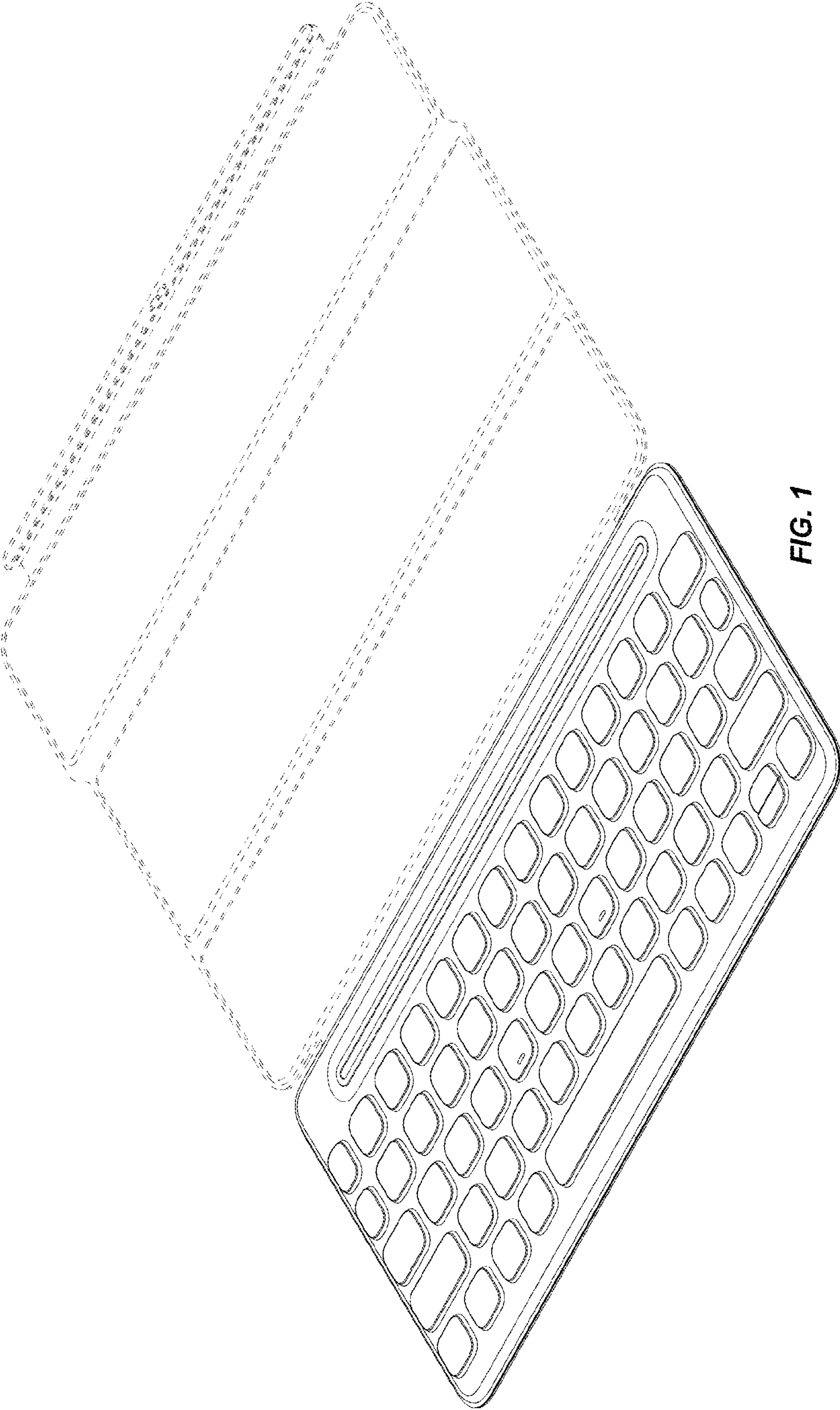


FIG. 1

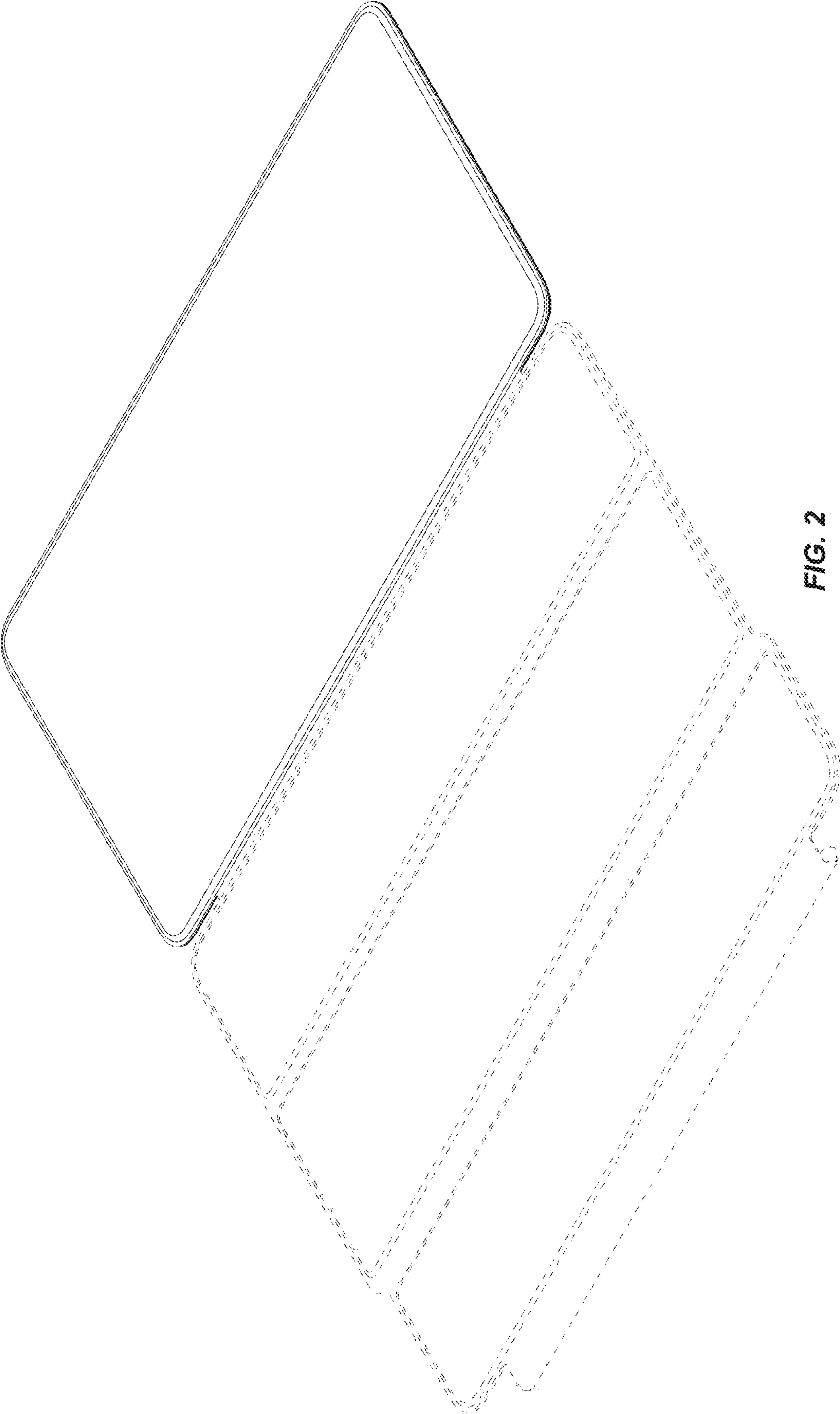


FIG. 2



FIG. 3

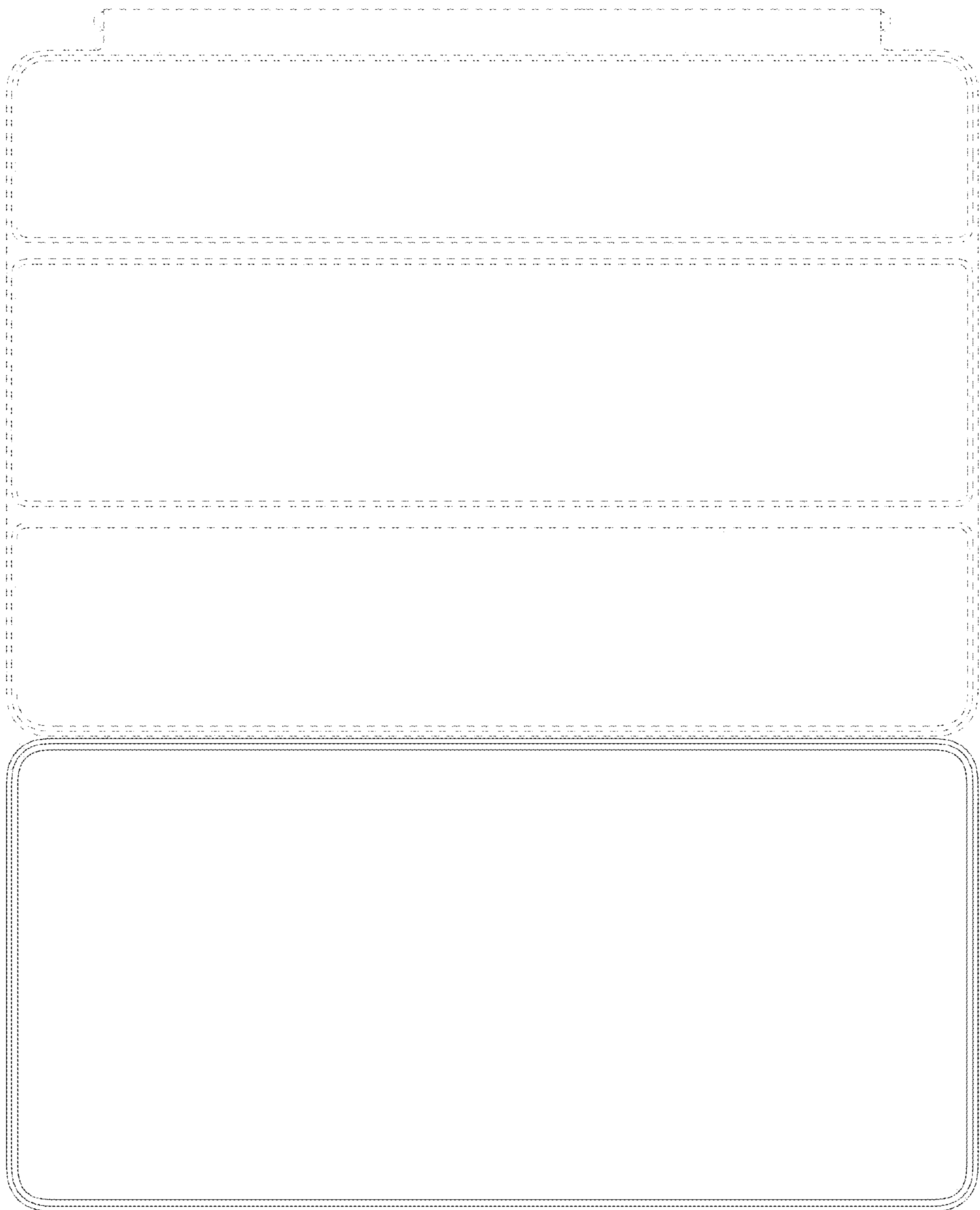


FIG. 4



FIG. 5



FIG. 6

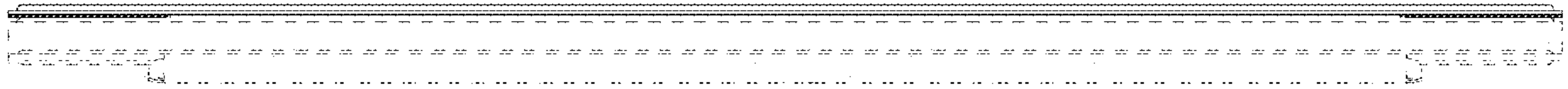


FIG. 7



FIG. 8

UNITED STATES PATENT AND TRADEMARK OFFICE
CERTIFICATE OF CORRECTION

PATENT NO. : D897,352 S
APPLICATION NO. : 29/730552
DATED : September 29, 2020
INVENTOR(S) : Akana et al.

Page 1 of 1

It is certified that error appears in the above-identified patent and that said Letters Patent is hereby corrected as shown below:

On the Title Page

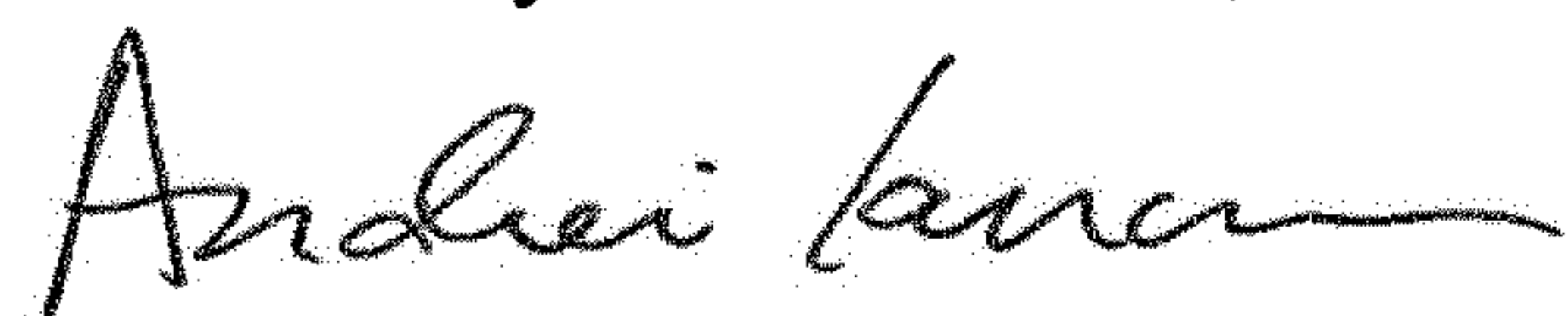
In the "Description" Item (57), please replace:

"FIG. 1 is a top front perspective view of a keyboard cover showing the claimed design;"

With:

-- FIG. 1 is a top front perspective view of a keyboard showing the claimed design; --

Signed and Sealed this
Third Day of November, 2020



Andrei Iancu
Director of the United States Patent and Trademark Office