

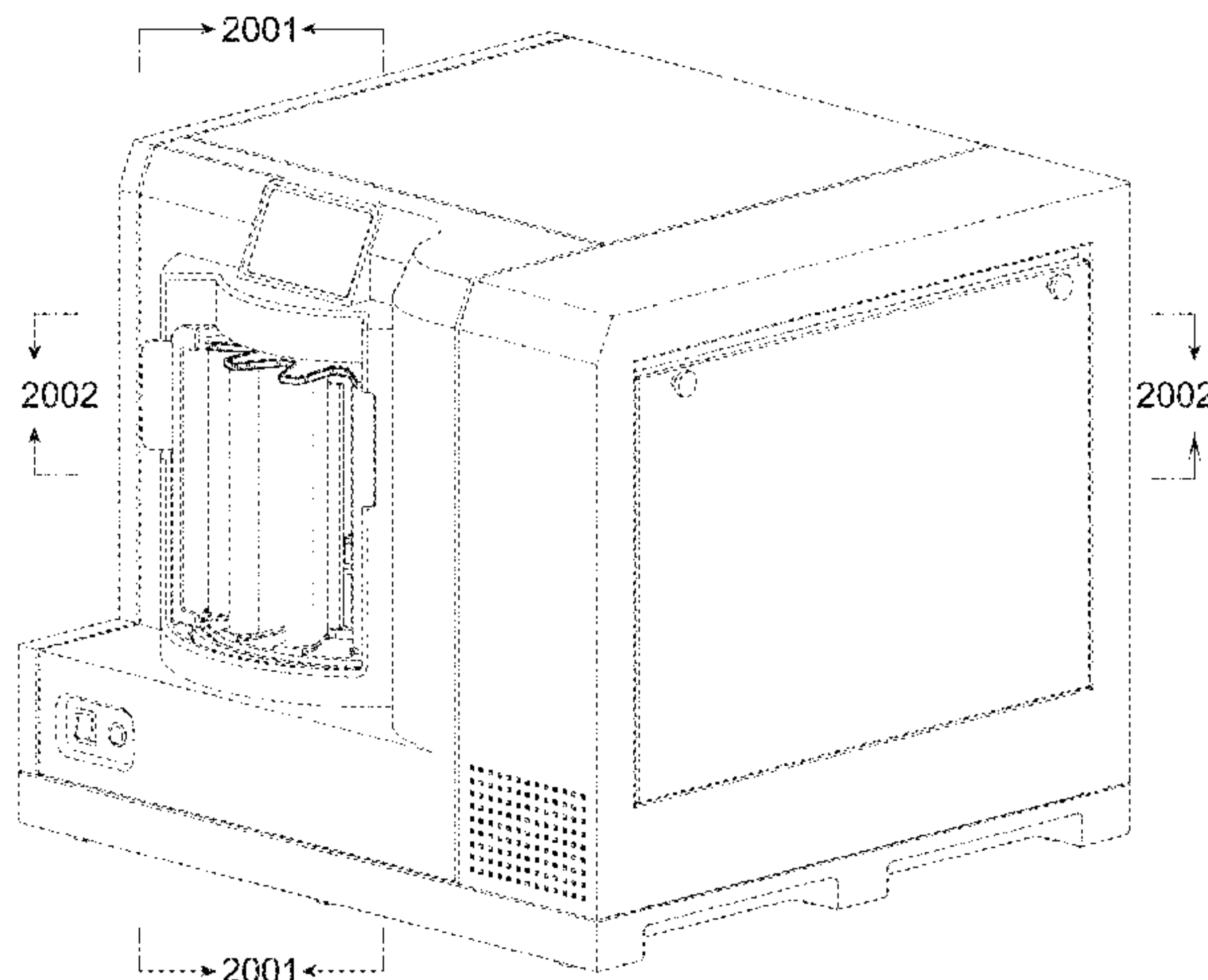
US00D897351S

(12) **United States Design Patent**
Watanabe

(10) **Patent No.:** **US D897,351 S**
(45) **Date of Patent:** **** Sep. 29, 2020**

- (54) **DIGITAL SLIDE SCANNER**
- (71) Applicant: **HAMAMATSU PHOTONICS K.K.**,
Hamamatsu-shi, Shizuoka (JP)
- (72) Inventor: **Satoshi Watanabe**, Hamamatsu (JP)
- (73) Assignee: **HAMAMATSU PHOTONICS K.K.**,
Hamamatsu-shi, Shizuoka (JP)
- (**) Term: **15 Years**
- (21) Appl. No.: **29/621,865**
- (22) Filed: **Oct. 12, 2017**
- (30) **Foreign Application Priority Data**
 - Apr. 13, 2017 (JP) 2017-007964
 - Apr. 13, 2017 (JP) 2017-007966
- (51) **LOC (12) Cl.** **14-02**
- (52) **U.S. Cl.**
USPC **D14/453**; D14/420
- (58) **Field of Classification Search**
USPC 2/DIG. 6; 5/417, 419-420, 465,
5/632-634; 108/43; 248/118, 118.1,
248/118.3, 118.5, 205.2, 346, 346.01,
248/346.07, 346.1, 438, 633, 918;
273/338, 438, DIG. 30; 297/218.1,
297/228.12, 352, 377, 440.1, 440.11,
297/440.15, 452.1, 452.16;
312/208.1-208.4, 223.2, 322; 340/710;
345/163, 173; 360/69, 97.02;
361/679.33-679.45, 737, 752, 736, 728,
361/796, 797, 729, 730, 725-727, 801,
361/798; 400/412, 713-715;
428/137-138, 140, 304.4, 457; 442/9;
D3/273; D6/201, 204, 429-431, 449,
D6/474, 509-510; D9/432; D10/65, 75,
D10/78; D13/103, 119, 162, 184, 199;
D14/110, 114, 125, 240, 242, 299-302,
D14/314, 348-370, 435-438, 496,
D14/478-480, 432, 453; D18/1, 7, 9, 11;
235/441, 443, 487, 492, 493, 495, 380,

235/382, 382.5, 375, 494; 257/678, 679,
257/693, E23.064; 439/946, 948, 159,
439/352, 157, 298, 328, 377, 64;
174/250, 260, 52.1, 52.2; 710/300-303;
438/121; 348/79, 80; D8/354;
403/322.1, 322.4; 353/103, 104, 108-118
CPC G06K 19/06196; G06K 19/072; G06K
19/0721; G06K 19/0722; G06K 19/0723;
G06K 19/0724; G06K 19/0725; G06K
19/0726; G06K 19/0727; G06K 19/0728;
G06K 19/073; G06K 19/07309; G06K
19/077; G06K 19/07701; G06K
19/07715; G06K 19/0772; G06K
19/07724; G06K 19/07726; G06K
19/07728; G06K 19/06037-06206; G06K
19/067; G06K 2019/06262; G06K
7/1417-1495; G06F 21/86; G06F 21/87;
G06F 21/88; G06F 21/77-80; G06F
21/85-88; G06F 21/00; G06F 1/186-188;
G06Q 20/3229; G06Q 20/34; G06Q
20/341; G06Q 20/346; G06Q 20/349;
G06Q 20/3563; G06Q 20/3567; G06Q
20/357; G06Q 20/3576; G06Q 20/3276;
H05K 5/026; H05K 5/0256; H05K
5/0265; H05K 5/0269; H05K 5/0273;
H05K 5/0278; H05K 5/0282; H05K
5/0286; H05K 5/0291; H05K 5/0295;
H05K 5/03; H05K 5/04; H05K 5/06;
H05K 5/061; H05K 5/062; H05K 5/063;
H05K 5/064; H05K 5/065; H05K 5/066;
H05K 5/067; H05K 5/068; H05K 5/069;
H05K 7/00; H05K 7/005; H05K 7/02;
H05K 7/023; H05K 7/026; H05K 7/04;
H05K 7/10; H05K 7/1418; H05K 7/142;
H05K 7/1424; H05K 7/1427-1439; H05K
7/1461; H05K 7/1464-1474; H05K
7/1479; H05K 7/1481; H05K
7/1485-1488; H05K 2201/09745; H05K
2201/09754; H05K 2201/09763; H05K
2201/09772; H05K 2201/098; H05K
2201/09818; H05K 2201/10; H05K
2201/10007; H05K 7/1411; H05K
7/1409; H05K 7/1417; H05K
7/1421-1454; H04N 2201/216; G07C



9/00722; G07C 9/00571; G07C 9/00904;
 G07C 9/00103; G03B 23/00; G03B
 23/048; G02B 21/365; G02B 21/367;
 G02B 21/002; Y10T 403/591; Y10T
 403/595; Y10T 74/18944; Y10T 74/1896;
 H01R 13/62933; H01R 13/62944; H01R
 13/6295; H01R 13/62955; H01R
 13/62961; H01R 13/62983; H01R 12/70;
 H01R 12/7005; H01R 12/7011

See application file for complete search history.

D824,972 S * 8/2018 Karol D15/148
 D828,235 S * 9/2018 Kittrell, Jr. D12/123
 D830,363 S 10/2018 Helms et al.
 D830,974 S 10/2018 Kufner et al.
 D839,271 S 1/2019 King-Murrey et al.
 D841,456 S * 2/2019 Barwick D8/399
 RE47,572 E * 8/2019 Sewell B62M 9/00
 D15/148
 D860,140 S 9/2019 Wu
 D866,555 S 11/2019 Suzuki
 D872,699 S 1/2020 Chen
 D877,220 S * 3/2020 Karol D15/148
 D879,171 S * 3/2020 Chang D15/148
 D881,761 S * 4/2020 Turner D12/123
 D881,959 S * 4/2020 Karol D15/148

(56)

References Cited

U.S. PATENT DOCUMENTS

4,248,498 A 2/1981 Georges
 D275,553 S 9/1984 Emmie et al.
 D277,160 S * 1/1985 Antone 7/151
 D303,988 S 10/1989 Buchweitz, Jr. et al.
 D310,520 S 9/1990 Bedard
 D310,823 S 9/1990 Chabala et al.
 D312,205 S 11/1990 de Rooij
 D315,720 S 3/1991 Freehauf
 5,136,864 A 8/1992 Spiekermann et al.
 5,726,435 A 3/1998 Hara et al.
 D396,436 S * 7/1998 Liska D12/123
 D414,165 S 9/1999 Klein
 D430,511 S * 9/2000 Takamori D12/123
 D432,054 S * 10/2000 Hanamura D12/123
 D435,001 S * 12/2000 Takamori D12/123
 6,878,006 B1 4/2005 Heidenreich et al.
 6,912,124 B2 6/2005 Megason et al.
 6,948,961 B2 9/2005 Oguchi
 6,992,900 B1 1/2006 Suzue et al.
 D527,245 S * 8/2006 Kelleghan D8/356
 7,140,738 B2 11/2006 Guiney et al.
 7,295,447 B2 11/2007 Strmiska et al.
 7,300,163 B2 11/2007 Scampini
 7,301,778 B1 11/2007 Fang
 D578,127 S 10/2008 Crisp et al.
 7,571,864 B2 8/2009 Kiliccote
 7,753,457 B2 7/2010 Wood
 7,859,667 B2 12/2010 Scampini
 7,914,408 B2 * 3/2011 Young F16H 7/06
 474/152
 8,098,956 B2 1/2012 Tatke et al.
 D656,391 S 3/2012 McClain et al.
 D673,956 S 1/2013 Yokoyama
 D686,623 S 7/2013 Bennett, Jr. et al.
 8,573,499 B1 11/2013 Boyle
 8,593,827 B1 11/2013 Lewis et al.
 8,625,930 B2 1/2014 Tatke et al.
 8,675,992 B2 3/2014 Dietz et al.
 D702,646 S 4/2014 Uebayashi et al.
 8,744,213 B2 6/2014 Tatke et al.
 8,797,396 B2 8/2014 Dietz et al.
 D718,658 S * 12/2014 Cadarette D12/7
 8,985,443 B1 3/2015 Boyle
 D740,817 S 10/2015 Ignomirello
 9,300,658 B1 3/2016 Sadacharam et al.
 D755,182 S 5/2016 Bassett et al.
 D757,832 S * 5/2016 Calcino D15/148
 D765,551 S * 9/2016 Baker, Jr. D12/123
 9,576,172 B2 2/2017 Huang et al.
 D794,690 S * 8/2017 Sewell B62M 9/00
 D15/138
 D798,059 S * 9/2017 Huy D4/101
 D800,194 S * 10/2017 Sewell D15/148
 9,776,322 B2 10/2017 Nilsson et al.
 D806,614 S * 1/2018 Turner D12/123
 D808,970 S 1/2018 Gessford et al.
 D811,948 S * 3/2018 Turner D12/123
 D815,675 S * 4/2018 Karol D15/148
 D816,136 S * 4/2018 Karol D15/148
 D817,371 S * 5/2018 Karol D15/148
 D817,372 S * 5/2018 Karol D15/148

2005/0142940 A1 6/2005 Manine
 2006/0109432 A1 5/2006 Guiney et al.
 2008/0002853 A1 1/2008 Kawabe et al.
 2008/0013272 A1 1/2008 Bailey et al.
 2008/0121688 A1 5/2008 Harrop
 2008/0240613 A1 10/2008 Dietz et al.
 2008/0301464 A1 12/2008 Parkinson
 2009/0043783 A1 2/2009 Wakasa et al.
 2009/0057420 A1 3/2009 Onoda et al.
 2009/0108057 A1 4/2009 Mu et al.
 2009/0255992 A1 10/2009 Shen
 2011/0043858 A1 2/2011 Jetter
 2012/0027325 A1 2/2012 Lacarra
 2012/0104105 A1 5/2012 Nemet et al.
 2012/0197660 A1 8/2012 Prodanovich
 2012/0209688 A1 8/2012 Lamothe et al.
 2012/0267440 A1 10/2012 Nakaya et al.
 2012/0323699 A1 12/2012 Phillips
 2013/0026241 A1 1/2013 Sakahashi et al.
 2013/0043302 A1 2/2013 Powlen et al.
 2013/0087609 A1 4/2013 Nichol et al.
 2013/0126598 A1 5/2013 Beadles et al.
 2013/0146658 A1 6/2013 Guerra
 2013/0166441 A1 6/2013 Kobylkin et al.
 2013/0221114 A1 8/2013 Myers et al.
 2013/0320099 A1 12/2013 Acton et al.
 2013/0341417 A1 12/2013 Argue et al.
 2014/0070012 A1 3/2014 Hunt et al.
 2014/0100973 A1 4/2014 Brown et al.
 2014/0108606 A1 4/2014 Beadles
 2014/0110468 A1 4/2014 Kandregula
 2014/0110486 A1 4/2014 Nemet
 2014/0117100 A1 5/2014 Black et al.
 2014/0117101 A1 5/2014 Cok
 2014/0144996 A1 5/2014 Friedman et al.
 2014/0149285 A1 5/2014 De et al.
 2014/0224888 A1 8/2014 Bomer et al.
 2014/0224889 A1 8/2014 Key
 2014/0263667 A1 9/2014 Mege
 2014/0263674 A1 9/2014 Cerveny
 2014/0263675 A1 9/2014 Beadles
 2014/0281855 A1 9/2014 Bhatnagar
 2015/0008257 A1 1/2015 Beadles
 2015/0161496 A1 6/2015 Rodriguez et al.
 2015/0199601 A1 7/2015 Bienek
 2015/0213734 A1 7/2015 Glickman
 2015/0229603 A1 8/2015 Chor
 2015/0269466 A1 9/2015 Inotay et al.
 2015/0269469 A1 9/2015 Sharma et al.
 2015/0285364 A1 * 10/2015 Pfeiffer F16H 55/30
 474/152
 2015/0360749 A1 * 12/2015 Iwai B62M 9/10
 474/158
 2015/0363683 A1 12/2015 Polzoni
 2016/0086072 A1 3/2016 Castillo
 2016/0140428 A1 5/2016 Kamitani et al.
 2016/0155033 A1 6/2016 Nakano et al.
 2016/0180131 A1 6/2016 Seo et al.
 2017/0235977 A1 8/2017 Nadabar et al.
 2018/0025263 A1 1/2018 Toyozumi et al.
 2018/0137323 A1 5/2018 Jiang et al.
 2018/0157813 A1 6/2018 Rodriqs et al.
 2020/0033581 A1 * 1/2020 Shaffer G01N 21/6428

OTHER PUBLICATIONS

Notice of Allowance dated Feb. 11, 2020 in U.S. Appl. No. 29/621,863.

* cited by examiner

Primary Examiner — Susan Moon Lee
(74) *Attorney, Agent, or Firm* — Faegre Drinker Biddle & Reath LLP

(57) **CLAIM**

The ornamental design for a digital slide scanner, as shown and described.

DESCRIPTION

FIG. 1 is a front view of a digital slide scanner of the present invention.

FIG. 2 is a rear view thereof.

FIG. 3 is a top plan view thereof.

FIG. 4 is a bottom view thereof.

FIG. 5 is a right side view thereof.

FIG. 6 is a left side view thereof.

FIG. 7 is a perspective view thereof.

FIG. 8 is an enlarged view showing a portion of FIG. 1 defined by the lines 801-801 and 802-802.

FIG. 9 is an enlarged view showing a portion of FIG. 7 defined by the lines 901-901 and 902-902.

FIG. 10 is an enlarged cross-sectional view taken along the line 10-10 in FIG. 8 of a portion of FIG. 3 defined by the line 1001-1001.

FIG. 11 is an enlarged cross-sectional view taken along the line 11-11 in FIG. 1 of a portion of FIG. 3 defined by the line 1101-1101.

FIG. 12 is a front view of a second embodiment of the digital slide scanner of the present invention.

FIG. 13 is a rear view thereof.

FIG. 14 is a top plan view thereof.

FIG. 15 is a bottom view thereof.

FIG. 16 is a right side view thereof.

FIG. 17 is a left side view thereof.

FIG. 18 is a perspective view thereof.

FIG. 19 is an enlarged view showing a portion of FIG. 12 defined by the lines 1901-1901 and 1902-1902.

FIG. 20 is an enlarged view showing a portion of FIG. 18 defined by the lines 2001-2001 and 2002-2002.

FIG. 21 is an enlarged cross-sectional view taken along the line 21-21 in FIG. 19 of a portion of FIG. 14 defined by the line 2101-2101; and,

FIG. 22 is an enlarged cross-sectional view taken along the line 22-22 in FIG. 1 of a portion of FIG. 14 defined by the line 2201-2201.

The features shown in broken lines depict environmental subject matter only and form no part of the claimed design. The alternating long and short dashed lines indicate bounds of the claimed design and form no part thereof.

1 Claim, 22 Drawing Sheets

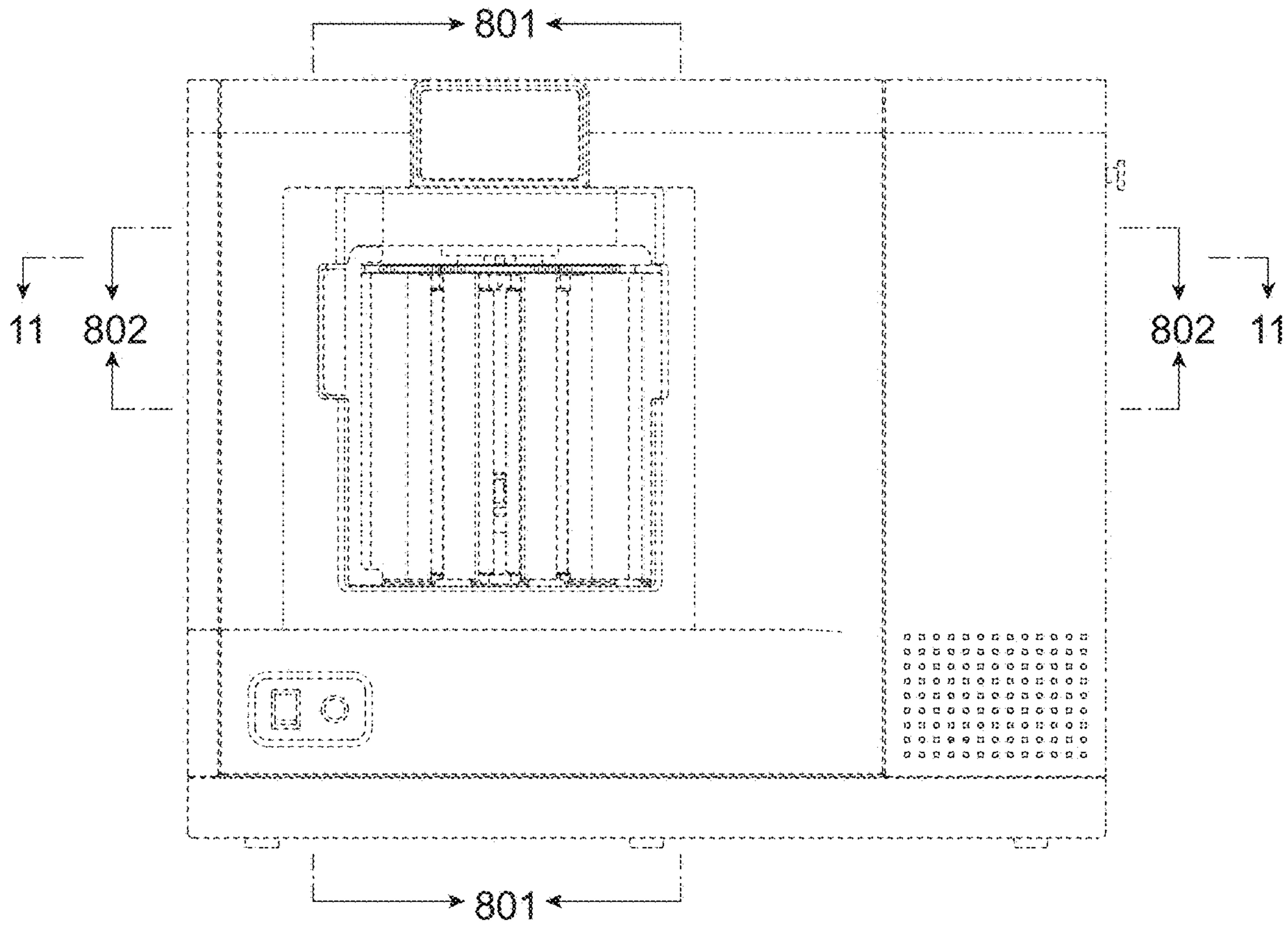


FIG. 1

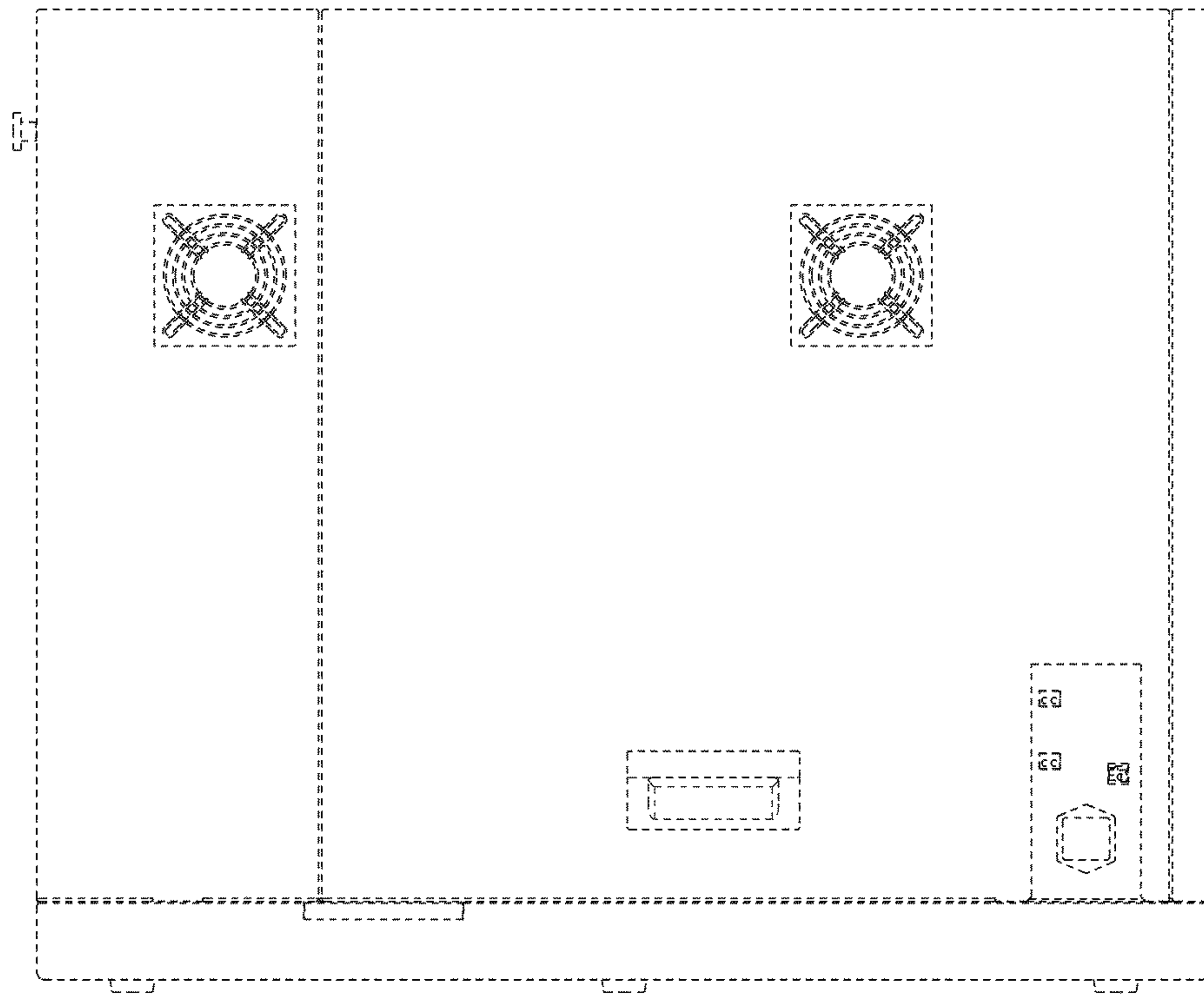


FIG. 2

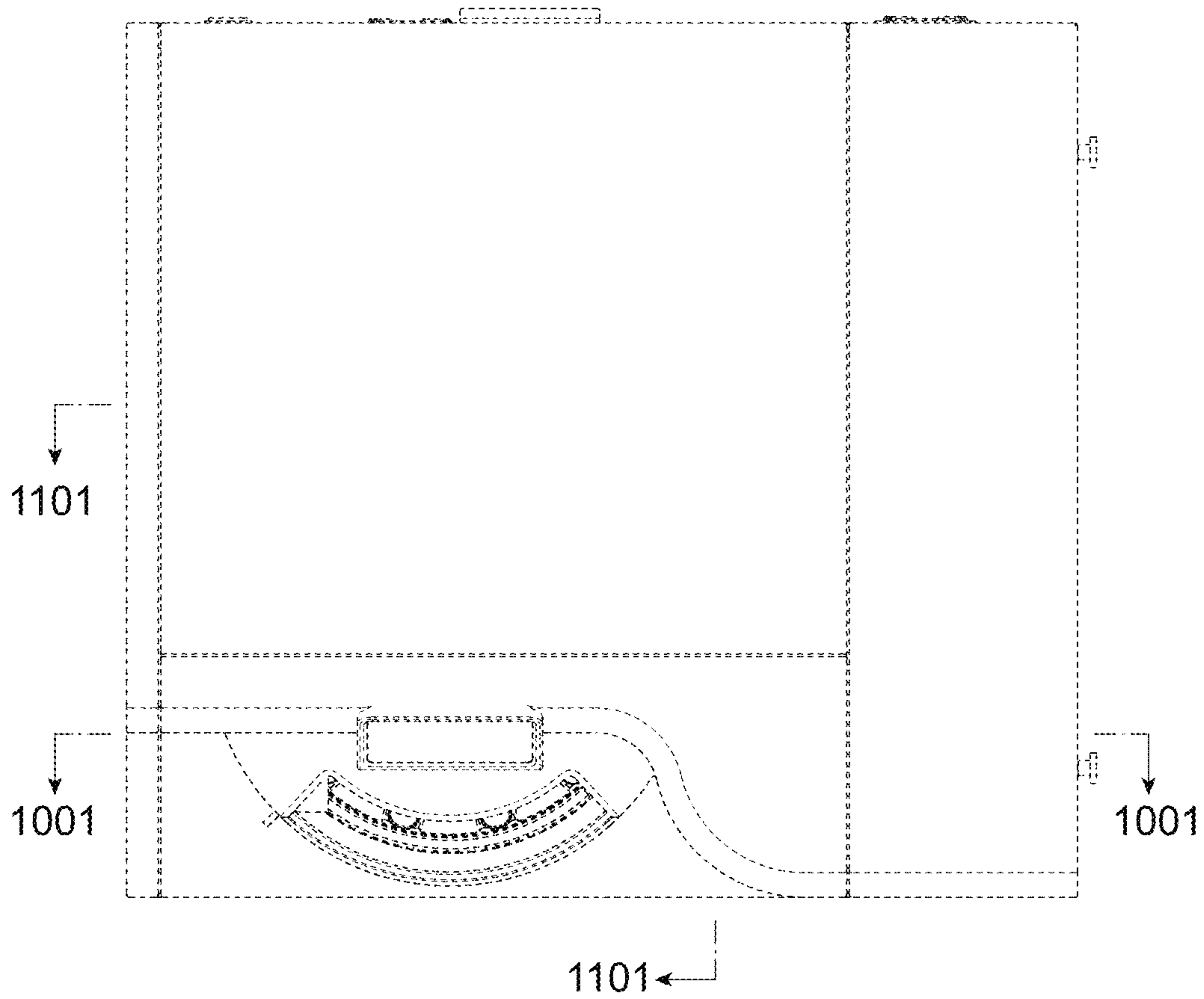


FIG. 3

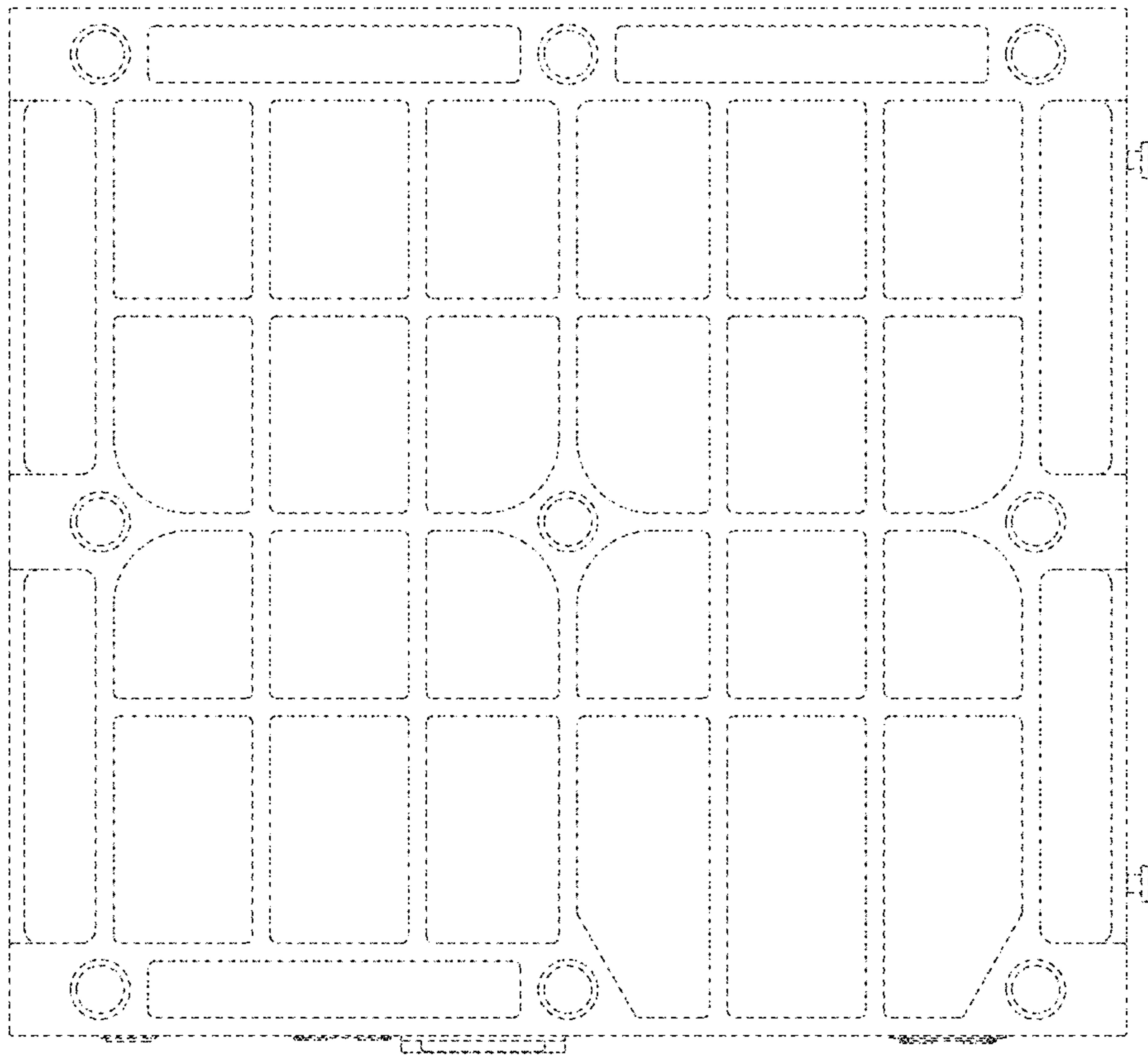


FIG. 4

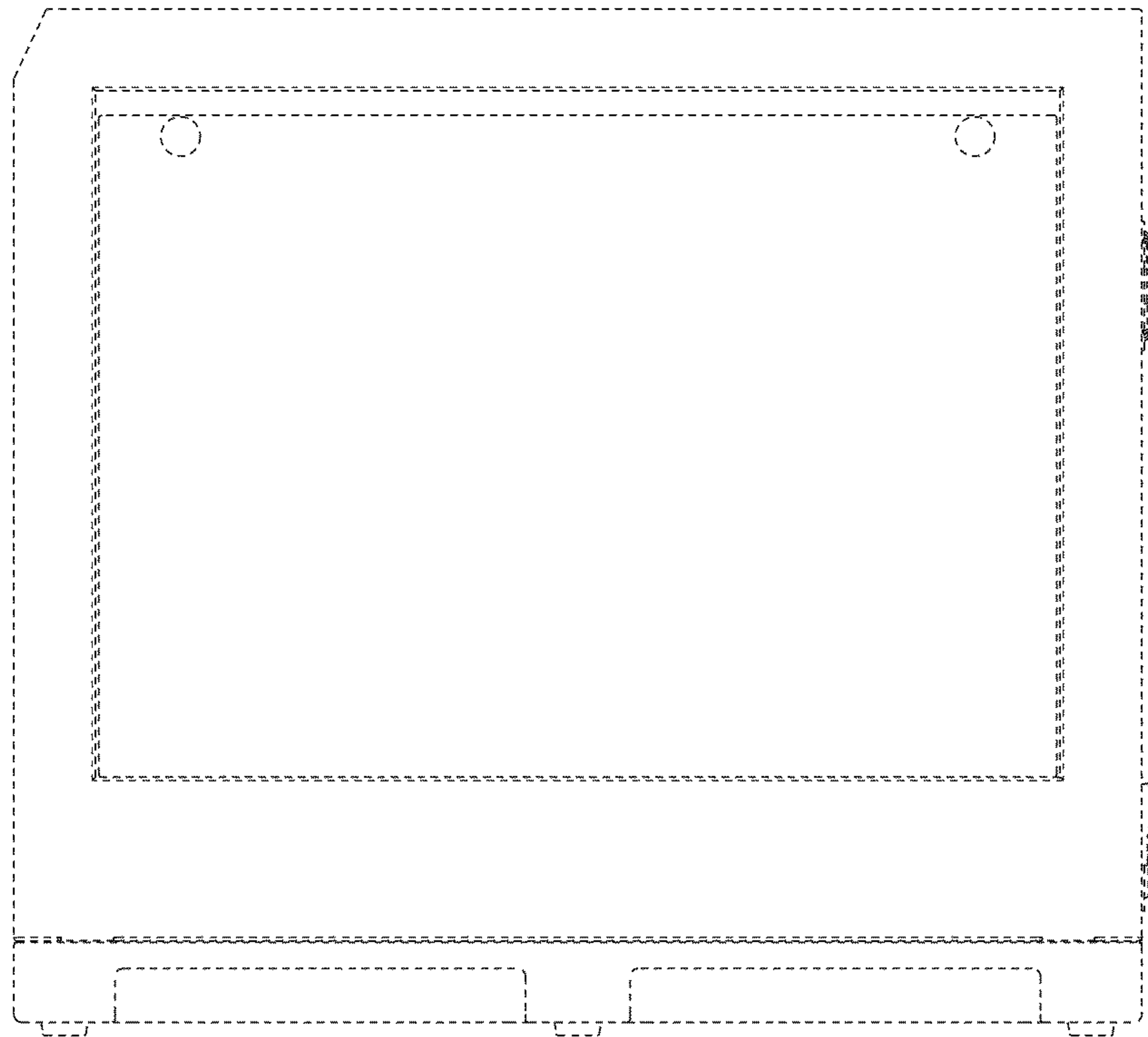


FIG. 5

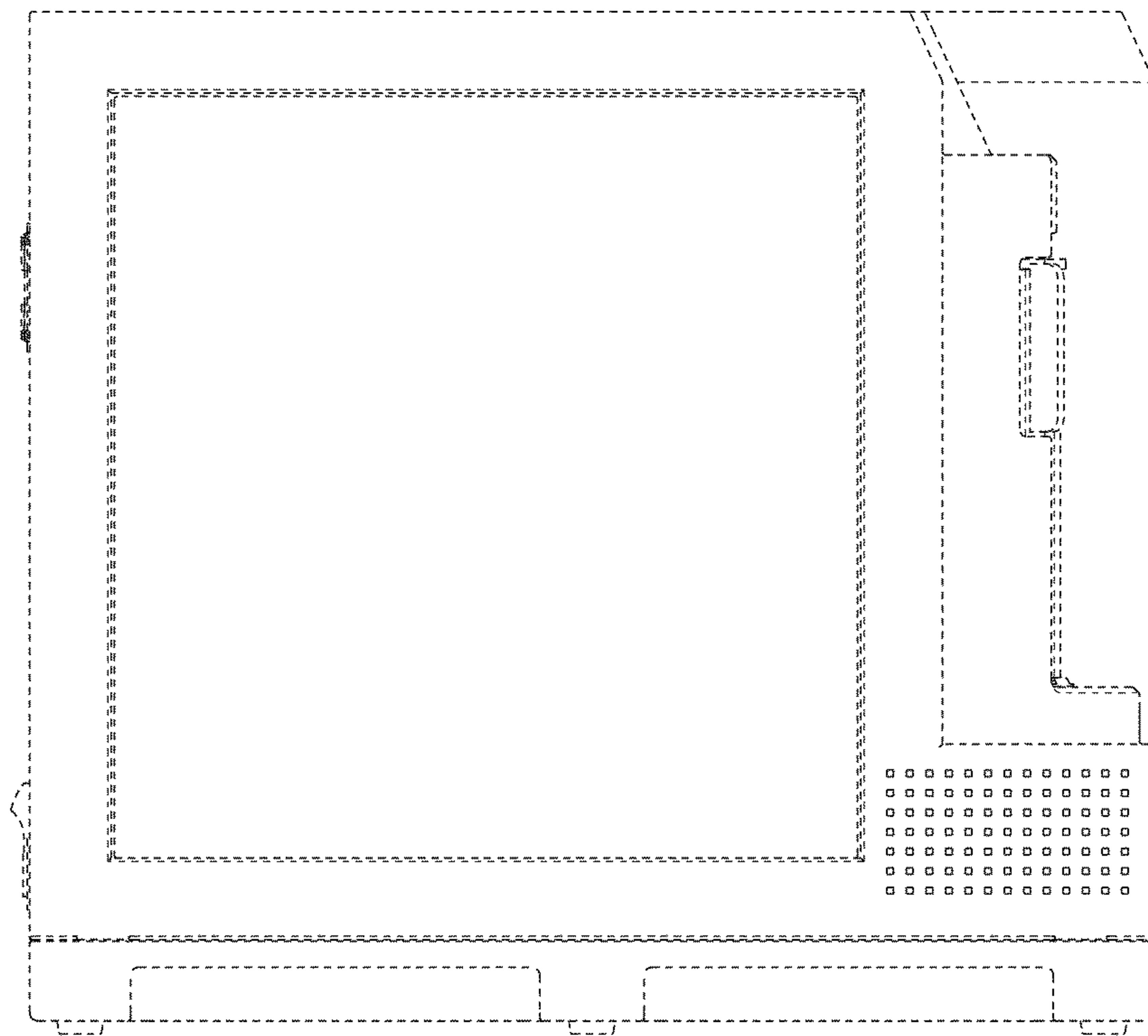


FIG. 6

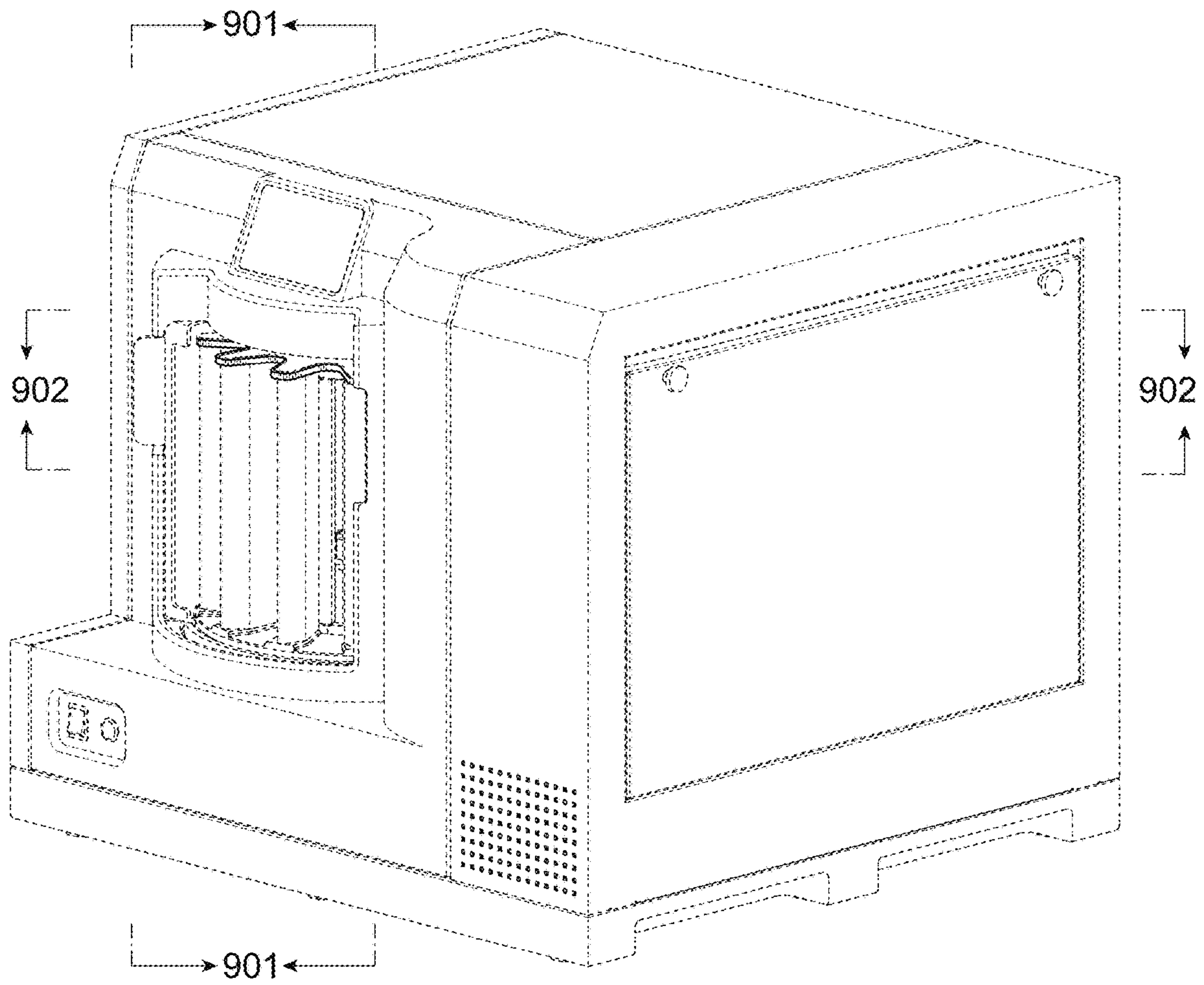


FIG. 7

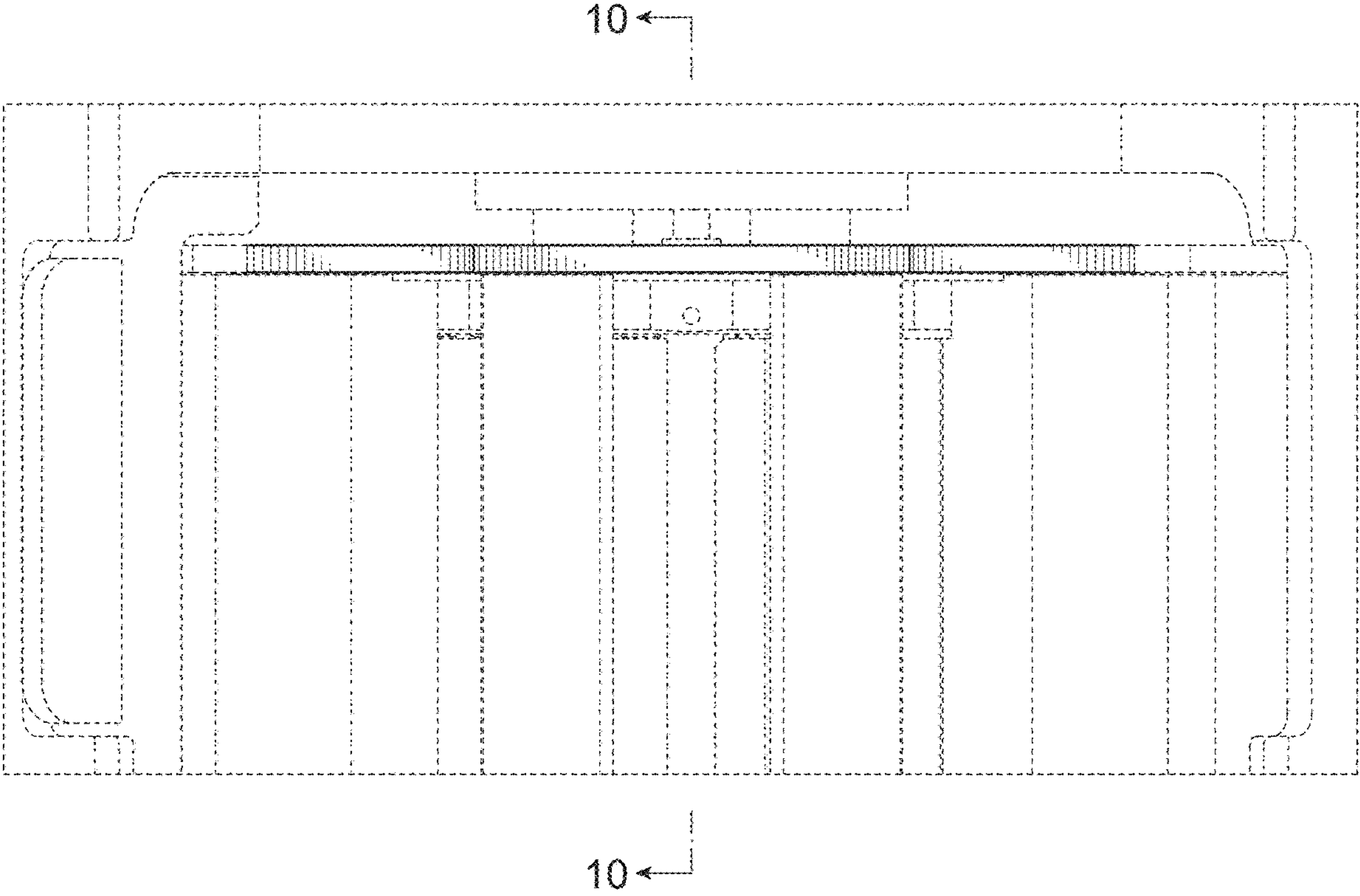


FIG. 8

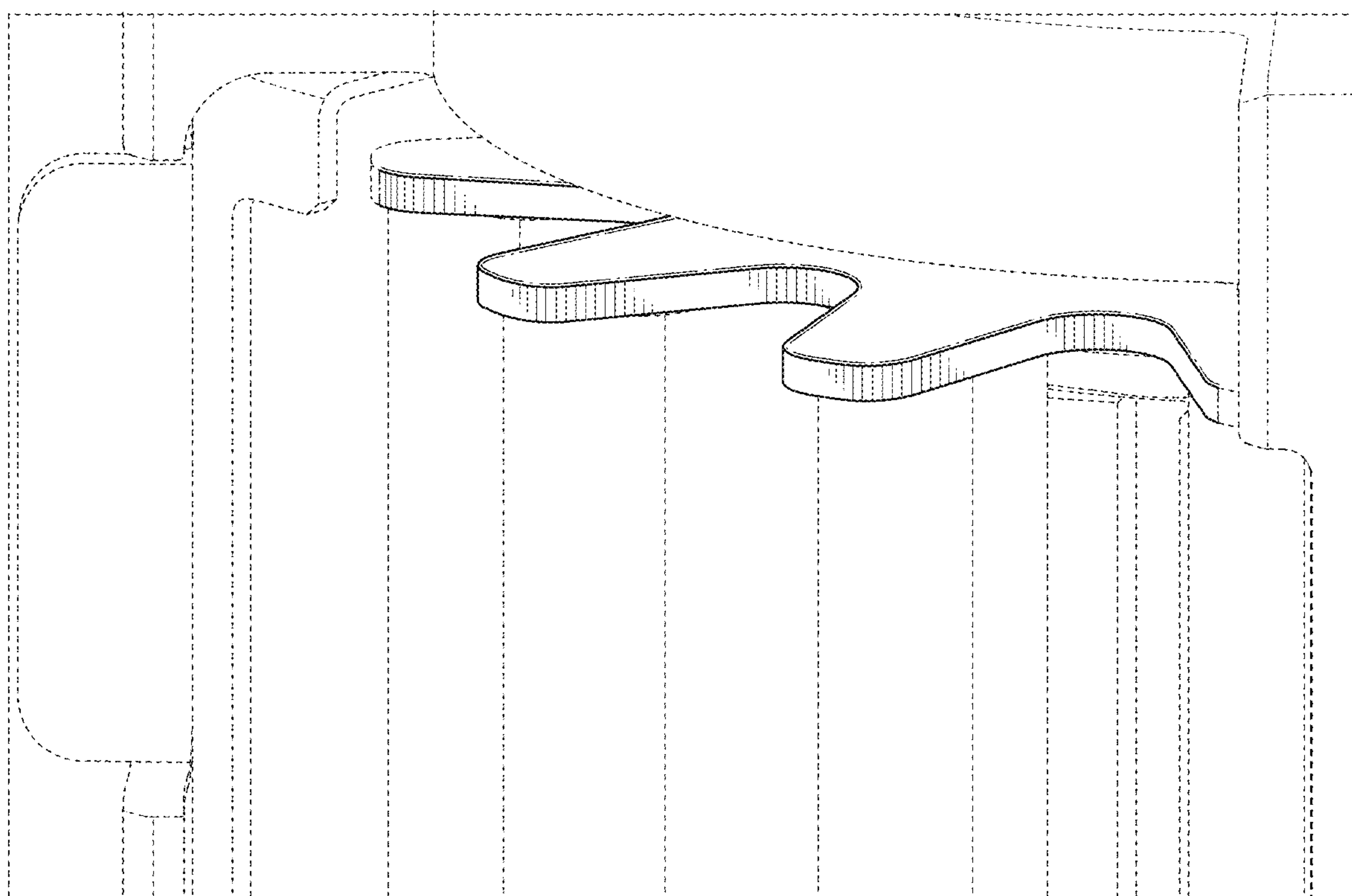


FIG. 9

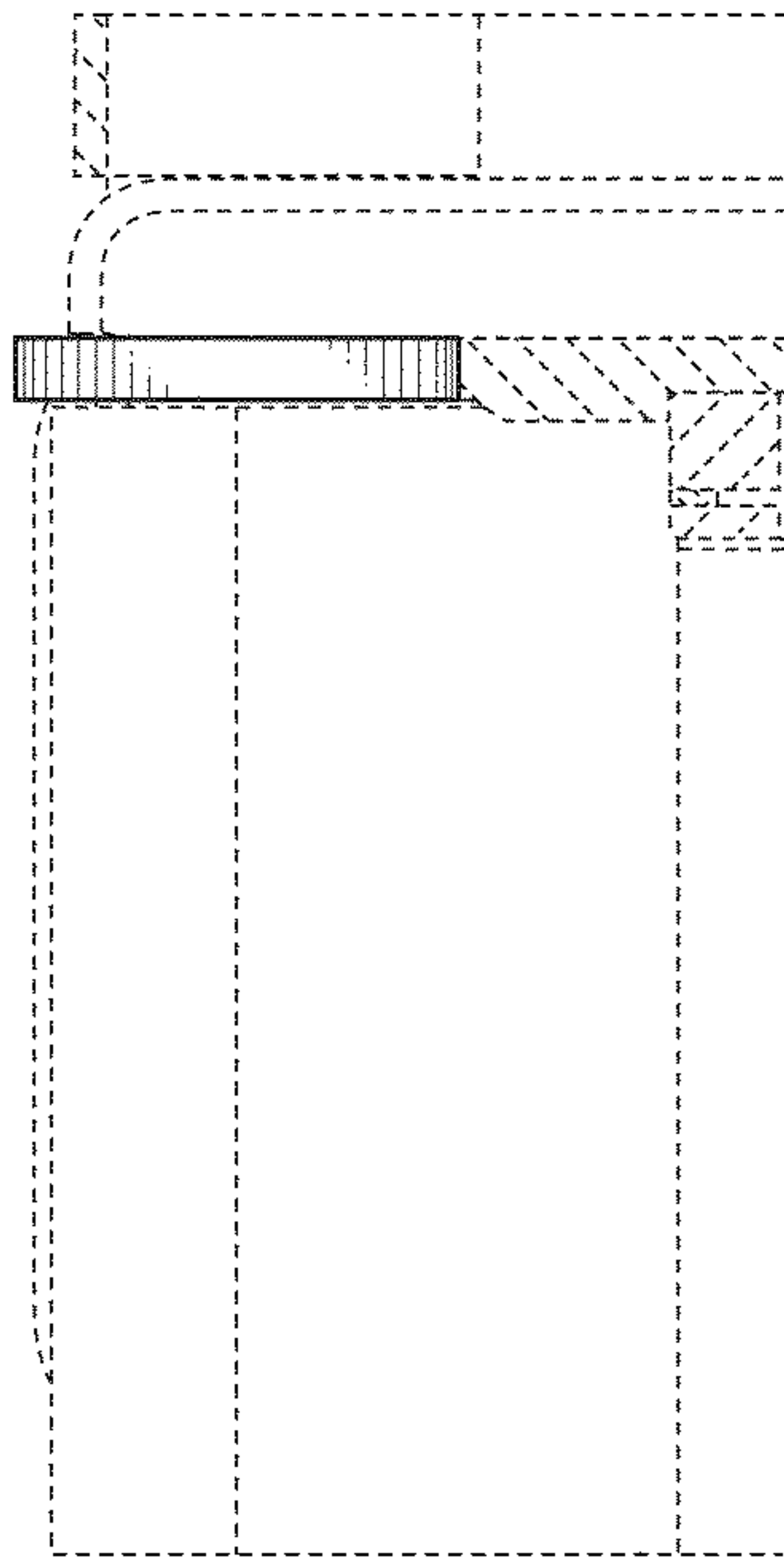


FIG. 10

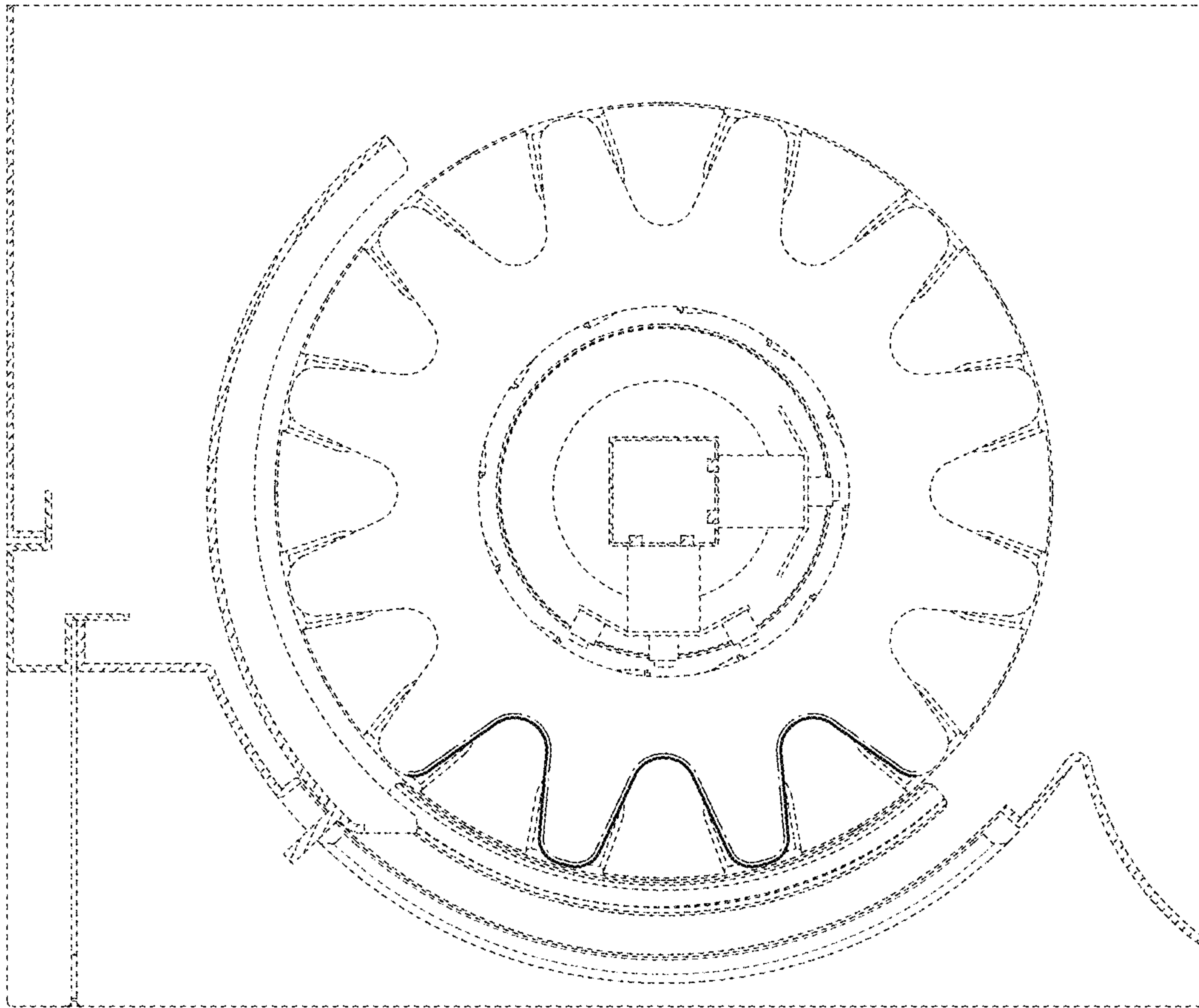


FIG. 11

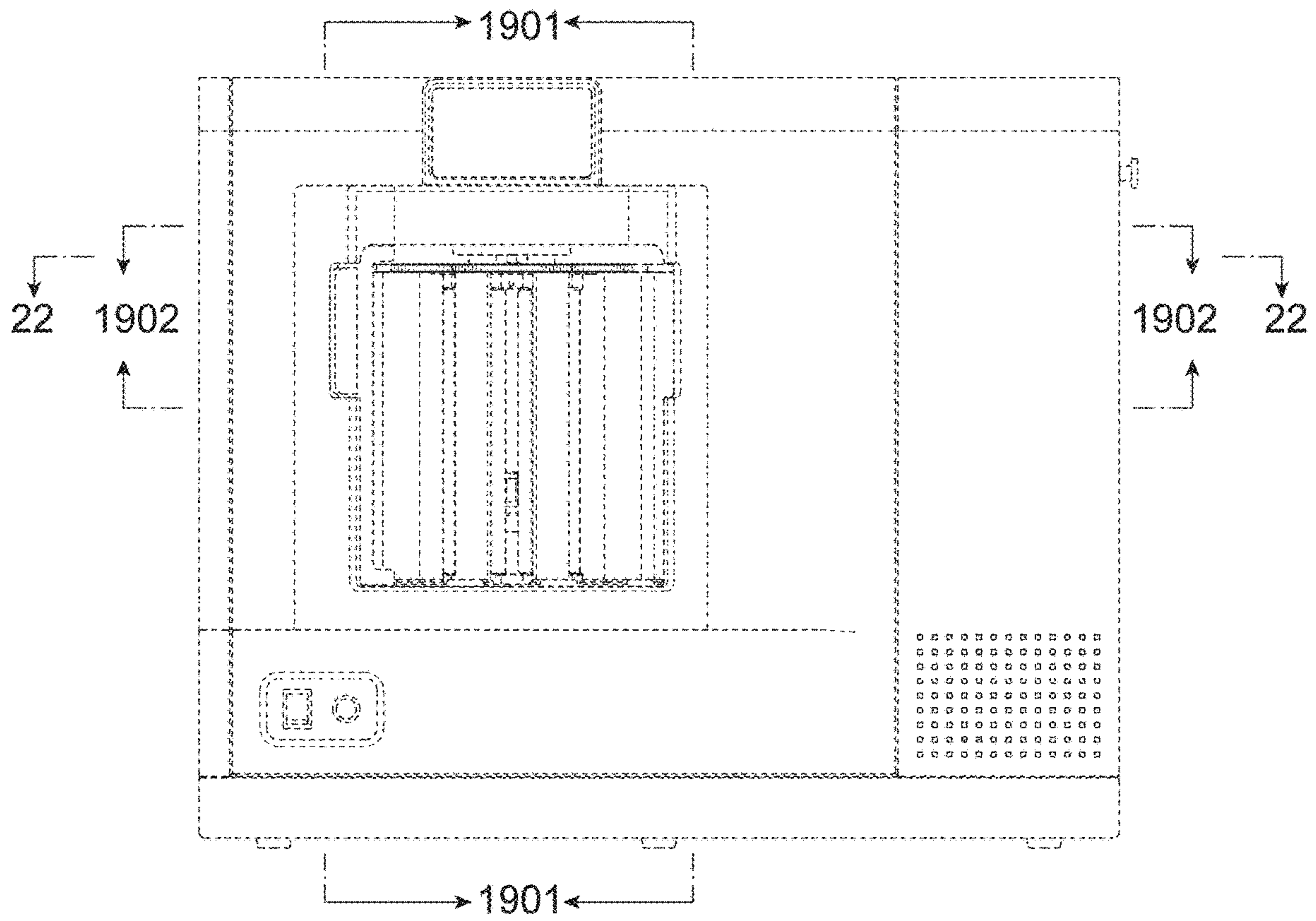


FIG. 12

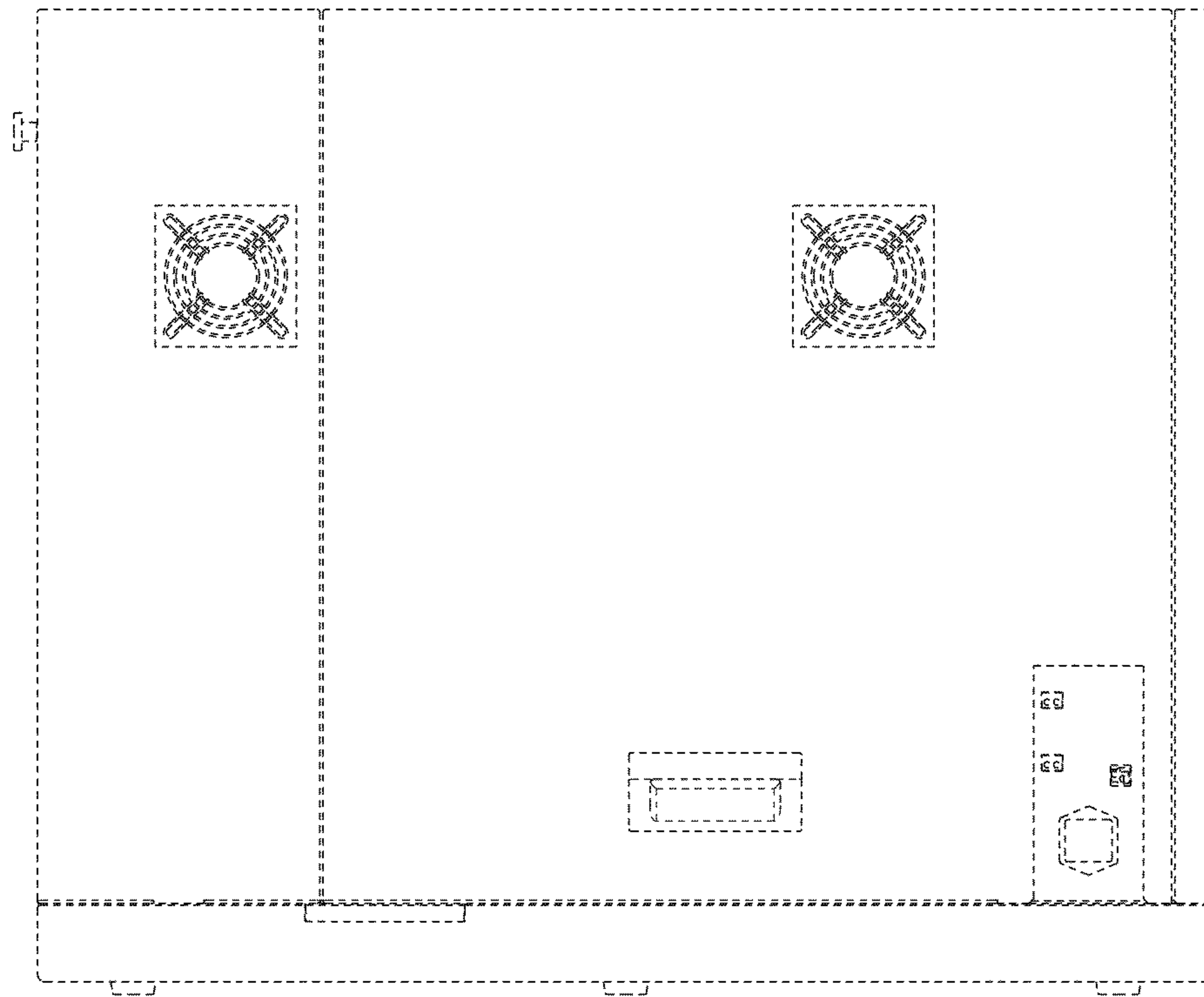


FIG. 13

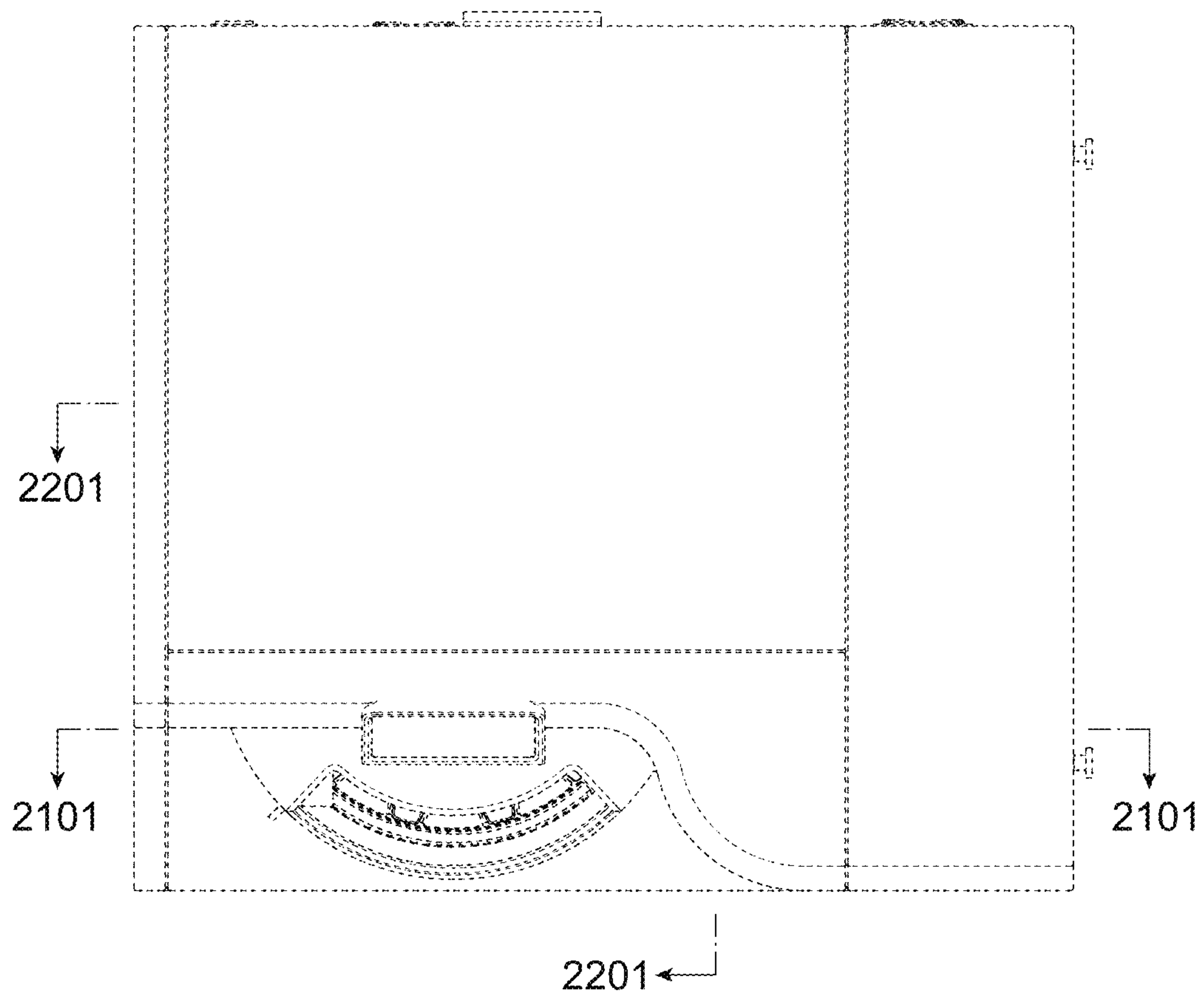


FIG. 14

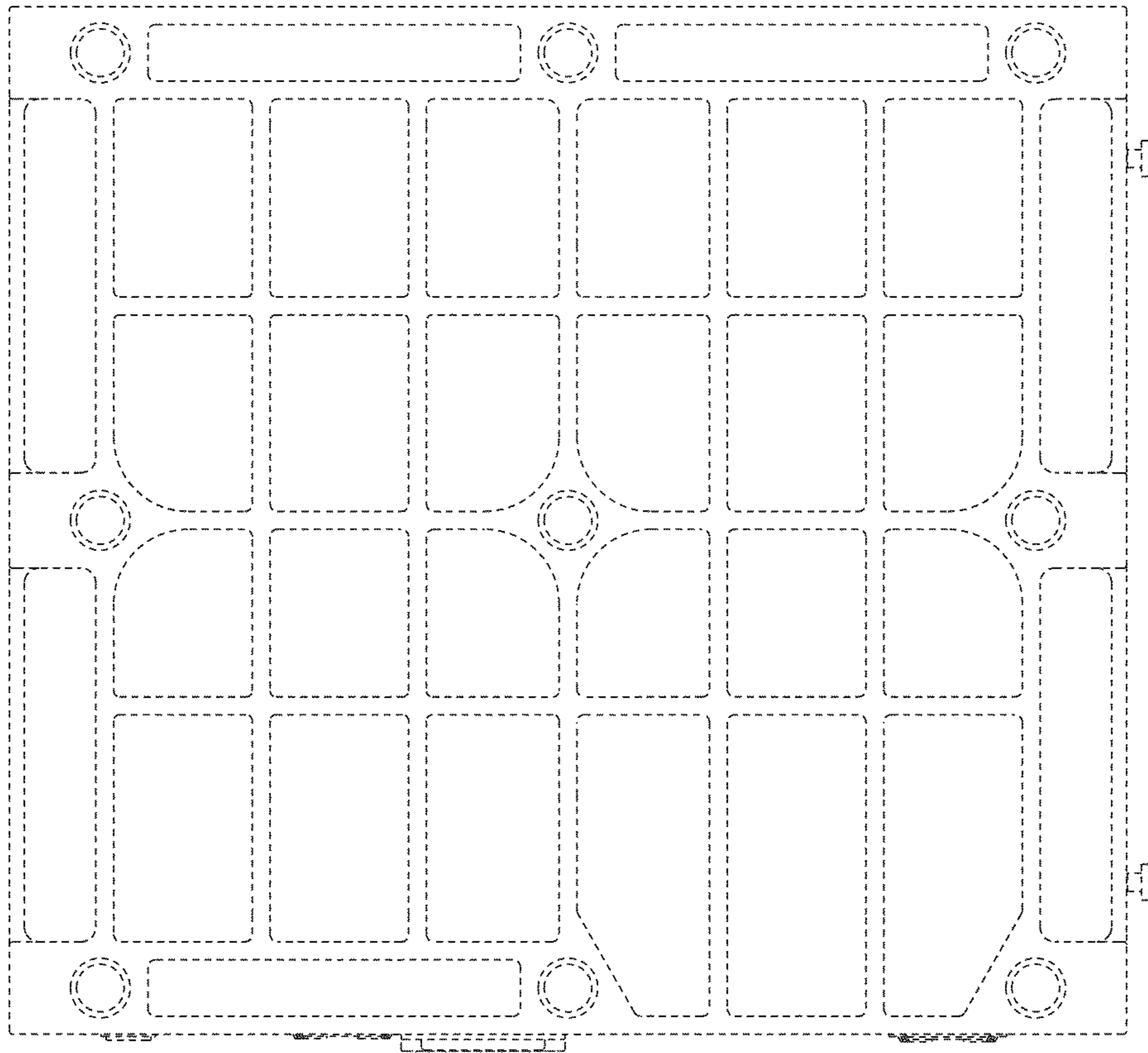


FIG. 15

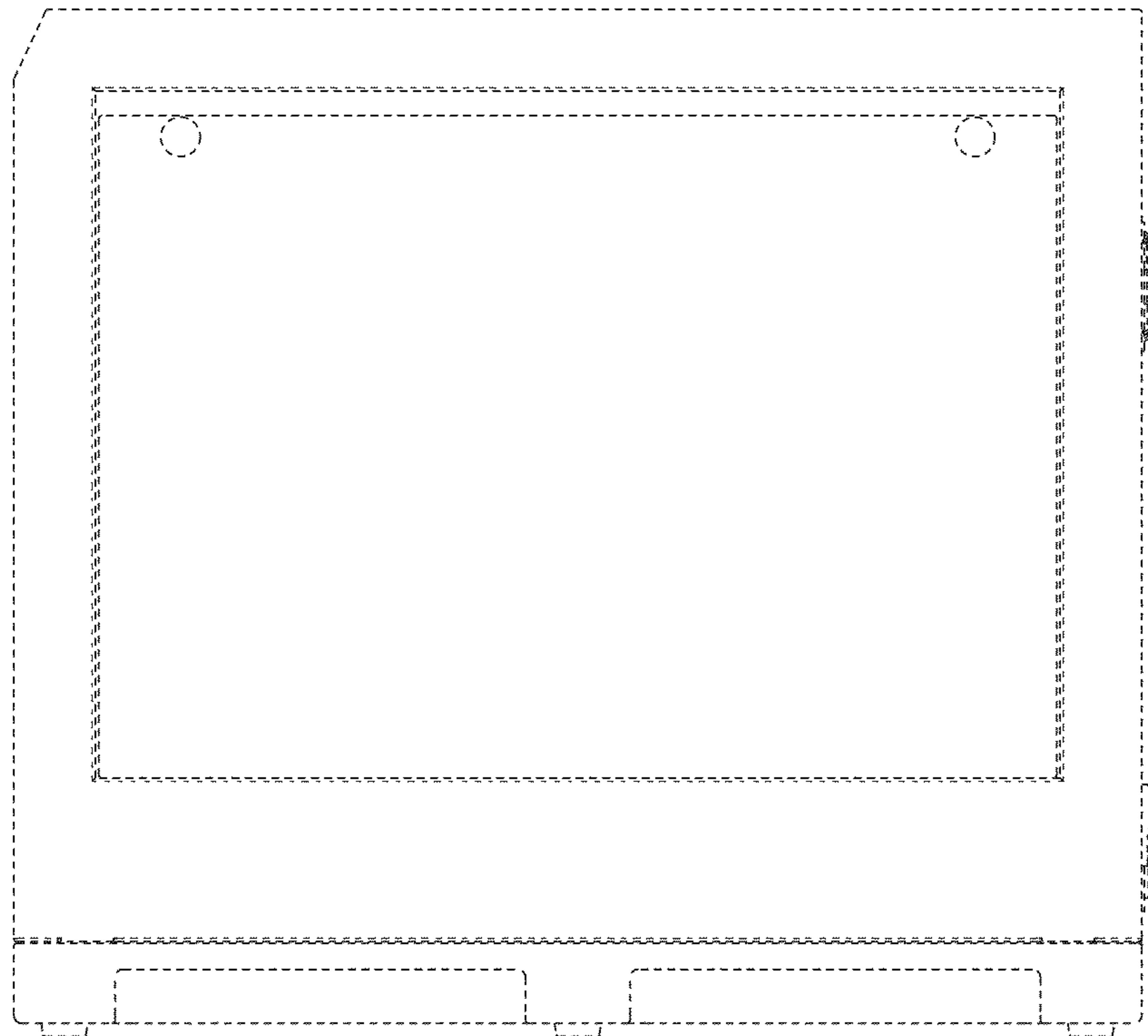


FIG. 16

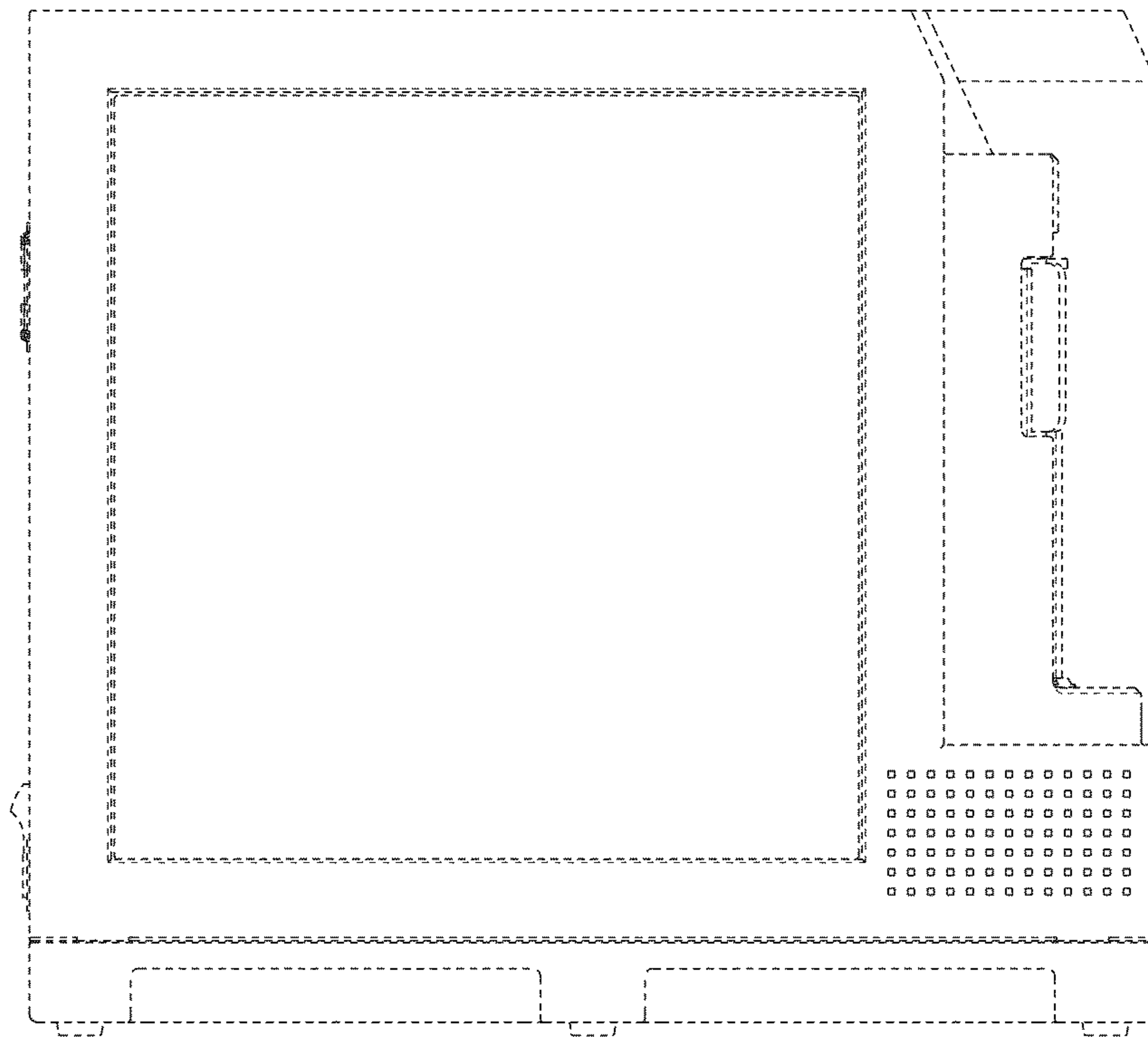


FIG. 17

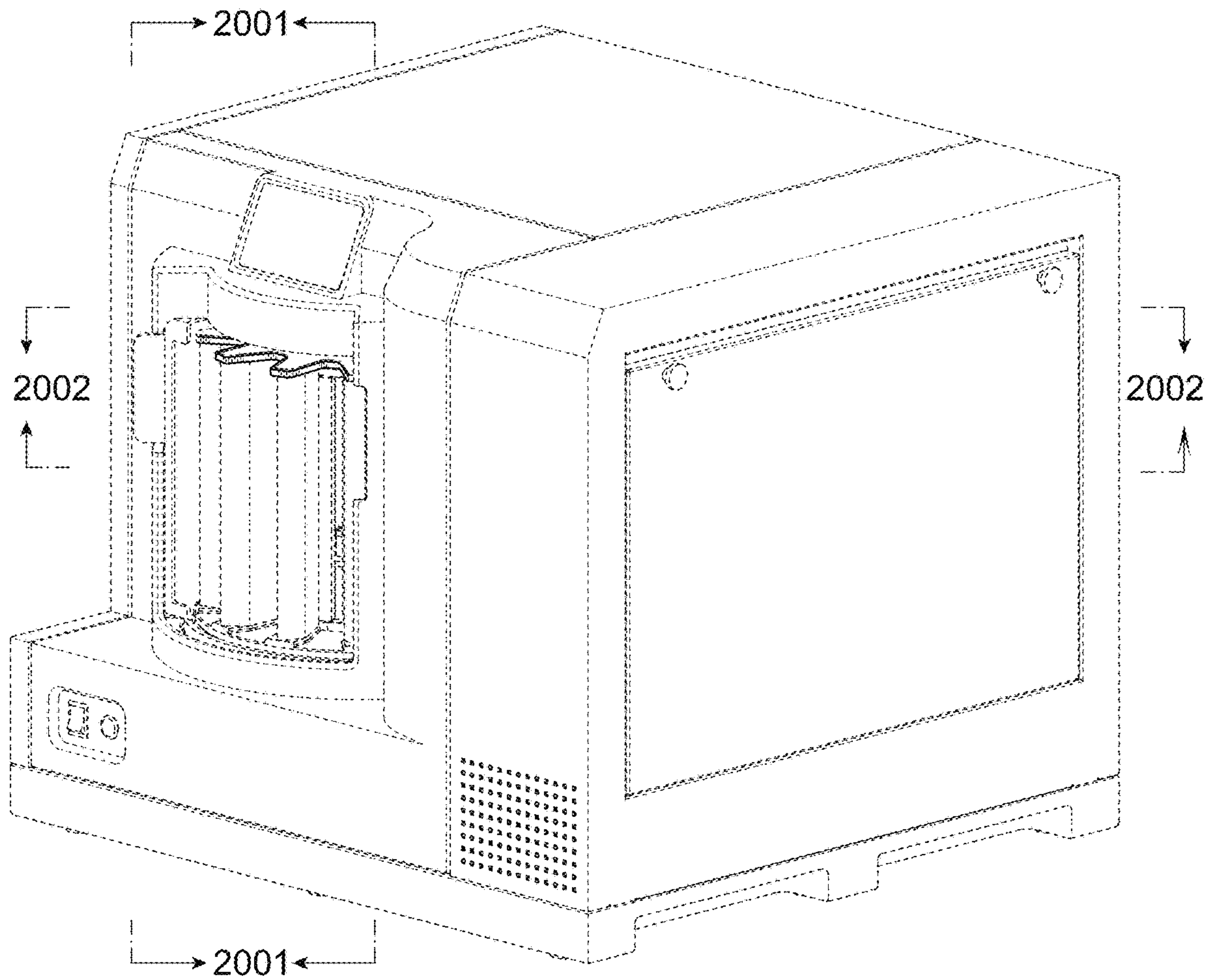


FIG. 18

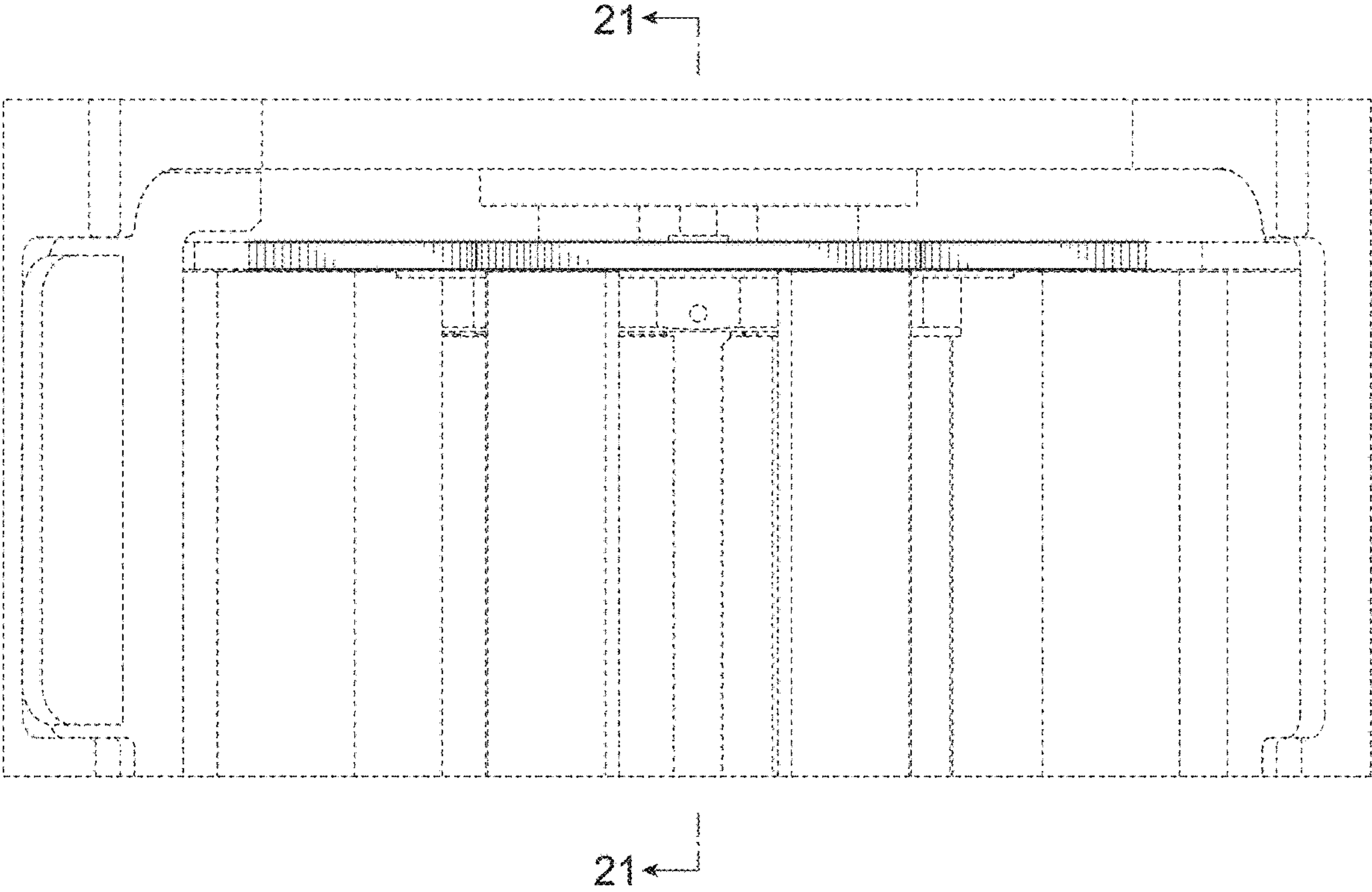


FIG. 19

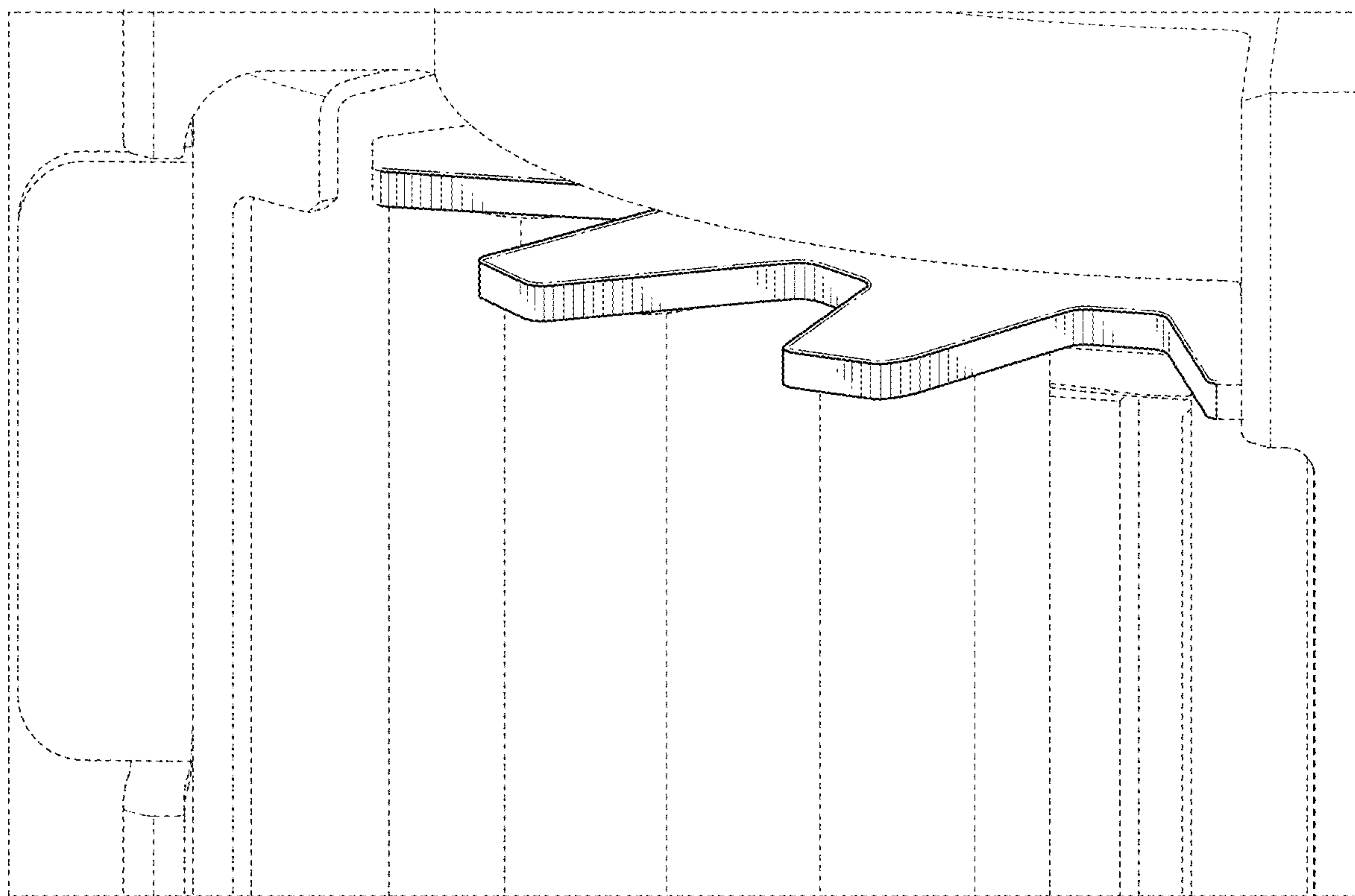


FIG. 20

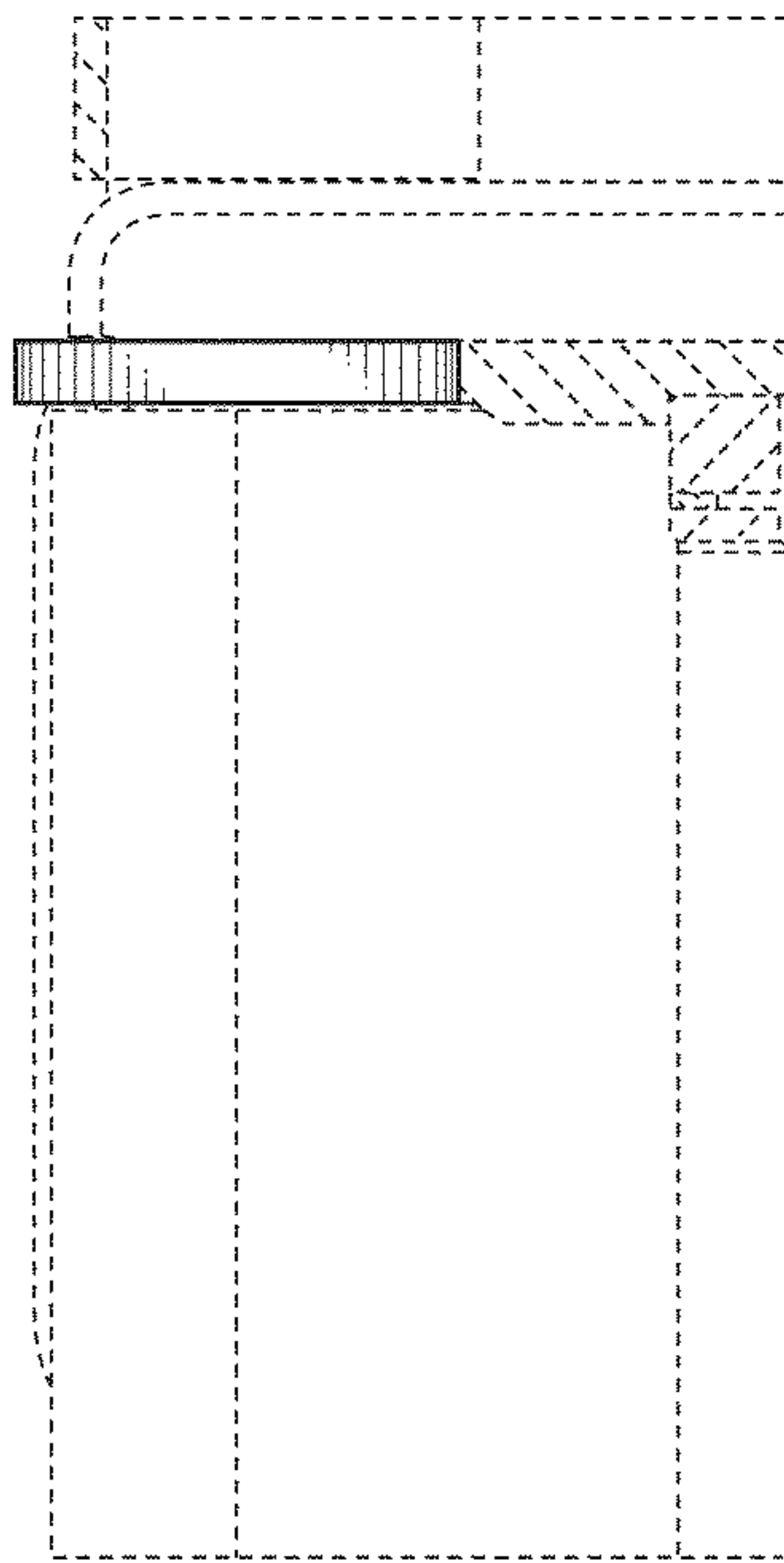


FIG. 21

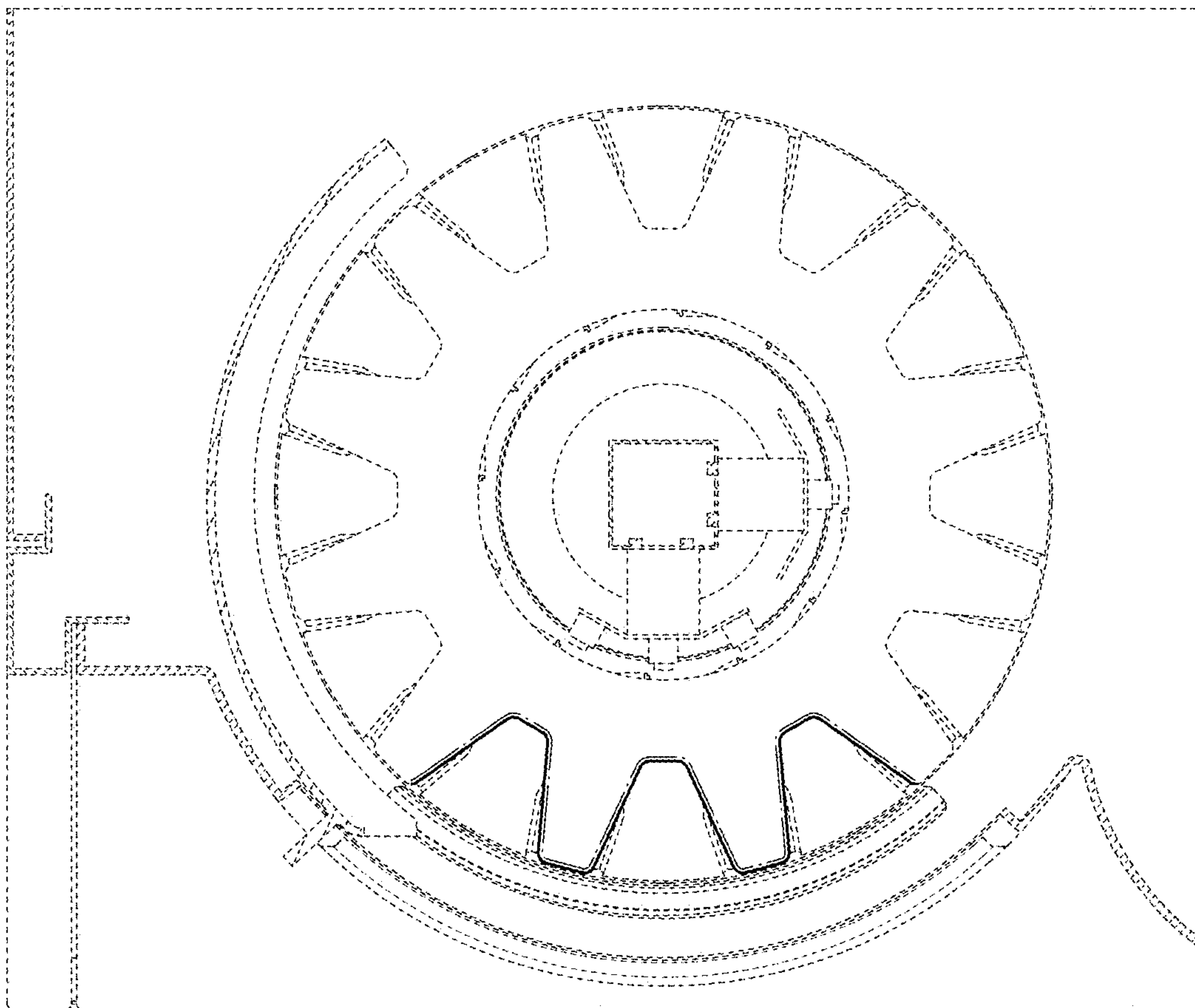


FIG. 22