

US00D897350S

(12) **United States Design Patent**  
**Wang**

(10) **Patent No.:** **US D897,350 S**

(45) **Date of Patent:** **\*\* Sep. 29, 2020**

(54) **PROTECTIVE CASE FOR MOBILE DEVICE**

(71) Applicant: **Rui Wang**, Zhumadian (CN)

(72) Inventor: **Rui Wang**, Zhumadian (CN)

(\*\*) Term: **15 Years**

(21) Appl. No.: **29/735,407**

(22) Filed: **May 20, 2020**

(51) **LOC (12) Cl.** ..... **14-02**

(52) **U.S. Cl.**  
USPC ..... **D14/440**

(58) **Field of Classification Search**  
USPC ..... D14/440, 447, 250; 206/45.23, 320,  
206/45.2, 224; 294/25; 224/218;  
361/679.55; D10/132  
CPC .... G06F 1/1628; G06F 1/1626; G06F 1/1669;  
G06F 1/1679; A47B 23/044; H04B  
1/3888; A45C 11/00

See application file for complete search history.

(56) **References Cited**

**U.S. PATENT DOCUMENTS**

- D365,526 S \* 12/1995 Gardner ..... D10/126
- D531,524 S \* 11/2006 Behling ..... D10/38
- D638,324 S \* 5/2011 Tang ..... D10/128
- D647,107 S \* 10/2011 Akana ..... D14/203.3
- D656,135 S \* 3/2012 Swartz ..... D14/238.1
- 8,256,612 B1 \* 9/2012 Wang ..... A45C 11/00  
206/320
- D671,930 S \* 12/2012 Akana ..... D14/250
- D674,789 S \* 1/2013 Wen ..... D14/250
- D678,262 S \* 3/2013 Prato ..... D14/250
- D681,483 S \* 5/2013 Biegert ..... D10/38
- D688,582 S \* 8/2013 Wilson ..... D10/128
- D688,967 S \* 9/2013 Wilson ..... D10/128
- 8,523,124 B2 \* 9/2013 Yuan ..... F16M 11/10  
248/188.8
- D693,709 S \* 11/2013 Lee ..... D10/70

- D703,649 S \* 4/2014 Wikel ..... D14/250
- D714,295 S \* 9/2014 Fujioka ..... D14/440
- D716,312 S \* 10/2014 Fujioka ..... D14/440
- D723,016 S \* 2/2015 Lee ..... D14/250
- D728,549 S \* 5/2015 Su ..... D14/250
- D730,225 S \* 5/2015 Behar ..... D10/103
- D735,198 S \* 7/2015 Song ..... D14/432
- D735,199 S \* 7/2015 Song ..... D14/432
- D735,200 S \* 7/2015 Song ..... D14/432
- D735,586 S \* 8/2015 Stegmann ..... D10/30
- D735,724 S \* 8/2015 Song ..... D14/432
- D736,103 S \* 8/2015 Behling ..... D10/30
- D743,830 S 11/2015 Kuo
- D751,558 S \* 3/2016 Lee ..... D14/432
- D752,044 S \* 3/2016 Akana ..... D14/344
- D754,133 S \* 4/2016 Chen ..... D14/440
- D766,904 S \* 9/2016 Jung ..... D14/440
- D766,905 S \* 9/2016 Lee ..... D14/440
- D766,906 S \* 9/2016 Kim ..... D14/440
- D767,573 S \* 9/2016 Kim ..... D14/440

(Continued)

*Primary Examiner* — Cynthia R Underwood

(74) *Attorney, Agent, or Firm* — ScienBiziP, P.C.

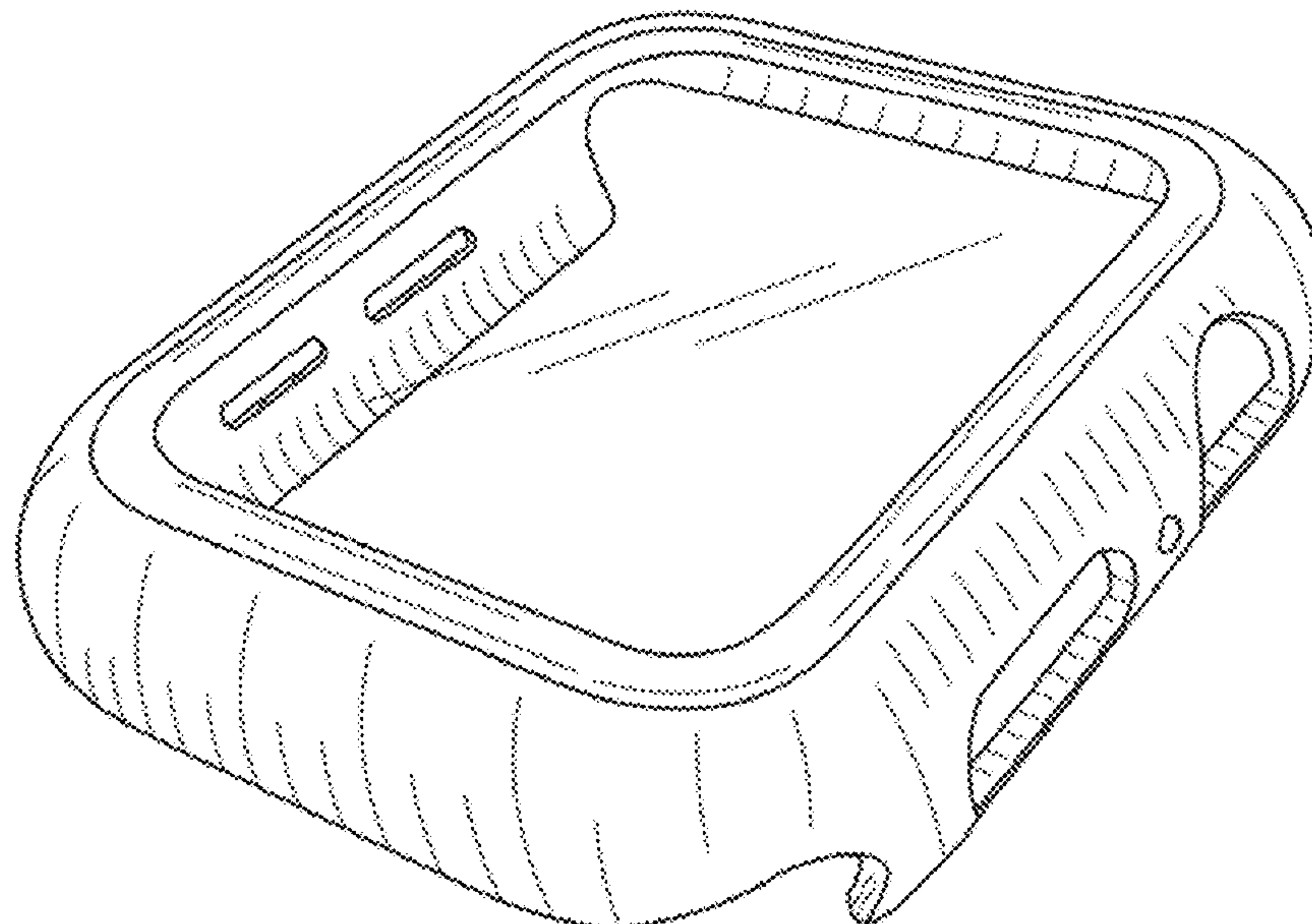
(57) **CLAIM**

The ornamental design for a protective case for mobile device, as shown and described.

**DESCRIPTION**

FIG. 1 is a front and top perspective view of a protective case for mobile device, showing my design.  
 FIG. 2 is a front elevation view thereof.  
 FIG. 3 is a rear elevation view thereof.  
 FIG. 4 is a right side elevation view thereof.  
 FIG. 5 is a left side elevation view thereof.  
 FIG. 6 is a top plan view thereof; and,  
 FIG. 7 is a bottom plan view thereof.  
 The broken lines are for environmental structure, boundaries, or illustrative purposes only and form no part of the claimed designs to be patented.

**1 Claim, 7 Drawing Sheets**



(56)

**References Cited**

U.S. PATENT DOCUMENTS

D769,879 S \* 10/2016 Kim ..... D14/440  
D780,740 S \* 3/2017 Kim ..... D14/250  
D784,838 S 4/2017 Kuramoto et al.  
D786,879 S \* 5/2017 Kim ..... D14/440  
D885,229 S \* 5/2020 Kim ..... D10/132  
D885,230 S \* 5/2020 Kim ..... D10/132  
2010/0061191 A1\* 3/2010 Chen ..... A44C 5/0069  
368/109  
2011/0297578 A1\* 12/2011 Stiehl ..... B29C 45/1676  
206/701  
2012/0043236 A1\* 2/2012 Szucs ..... A45C 11/00  
206/320  
2012/0182678 A1\* 7/2012 Wu ..... A45F 5/10  
361/679.01  
2012/0257340 A1\* 10/2012 Kim ..... H04B 1/3888  
361/679.01  
2013/0222139 A1\* 8/2013 Gouge ..... A61B 5/01  
340/573.1  
2017/0248922 A1\* 8/2017 Hyncek ..... G04B 37/005

\* cited by examiner

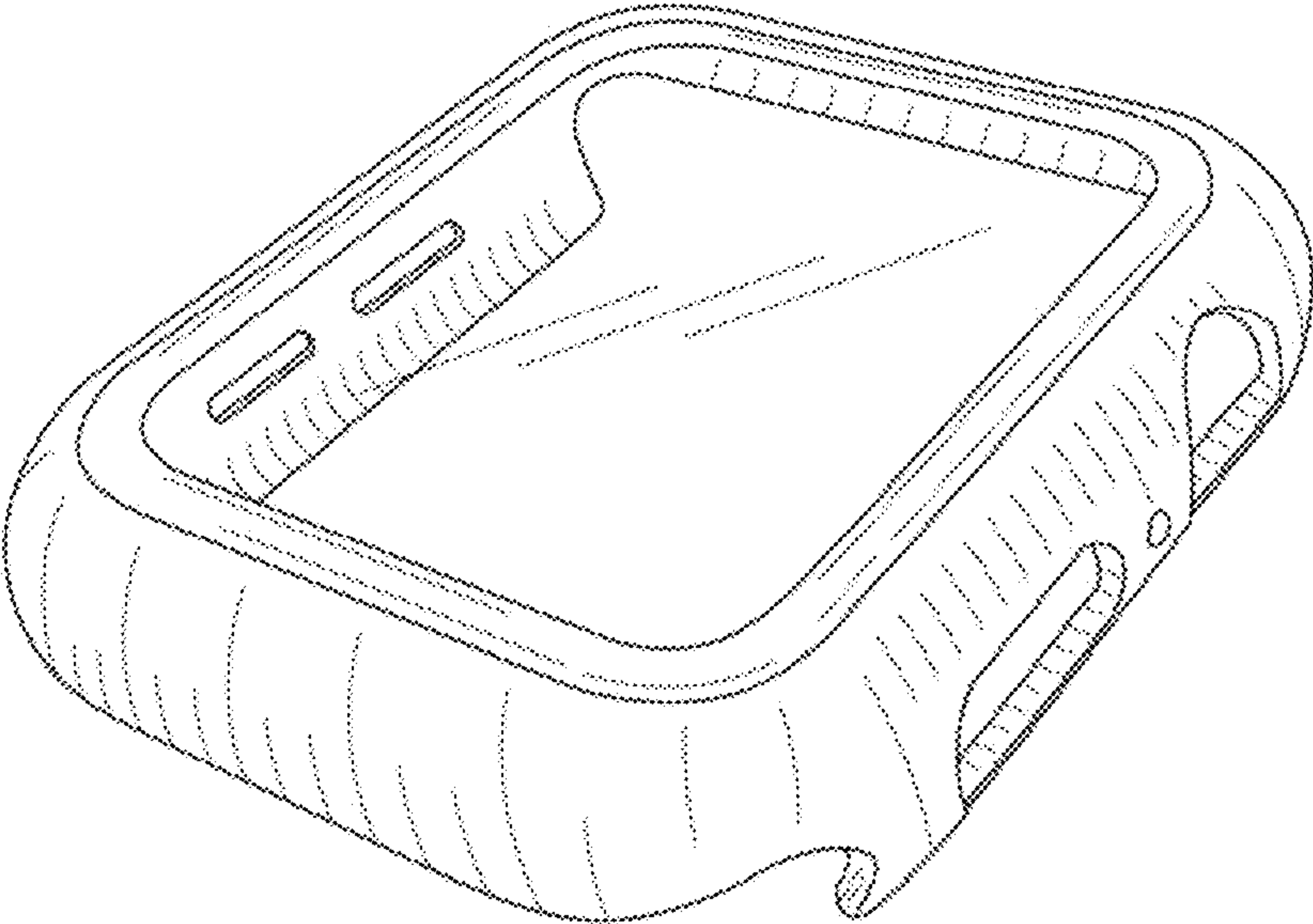


FIG.1

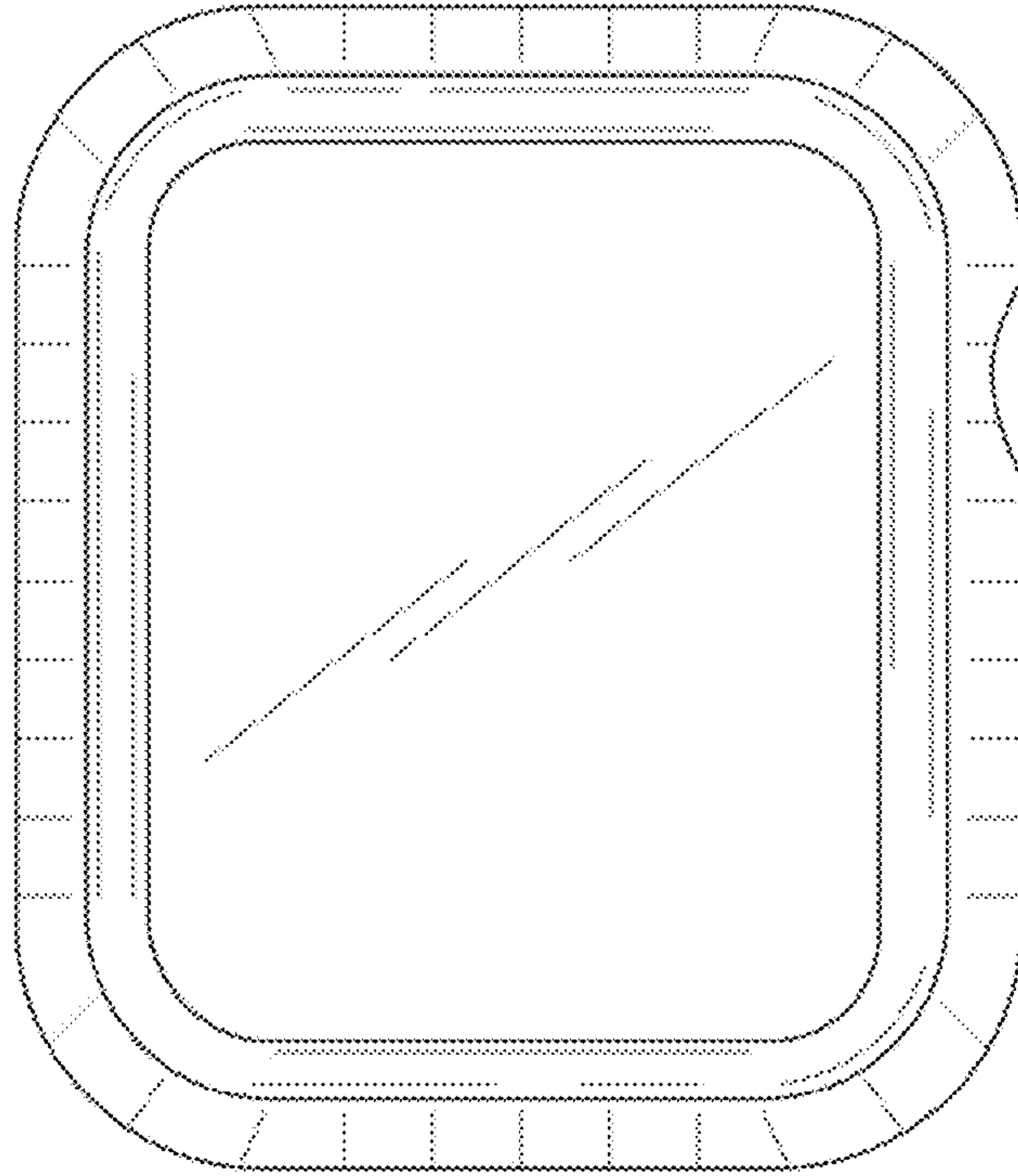


FIG.2

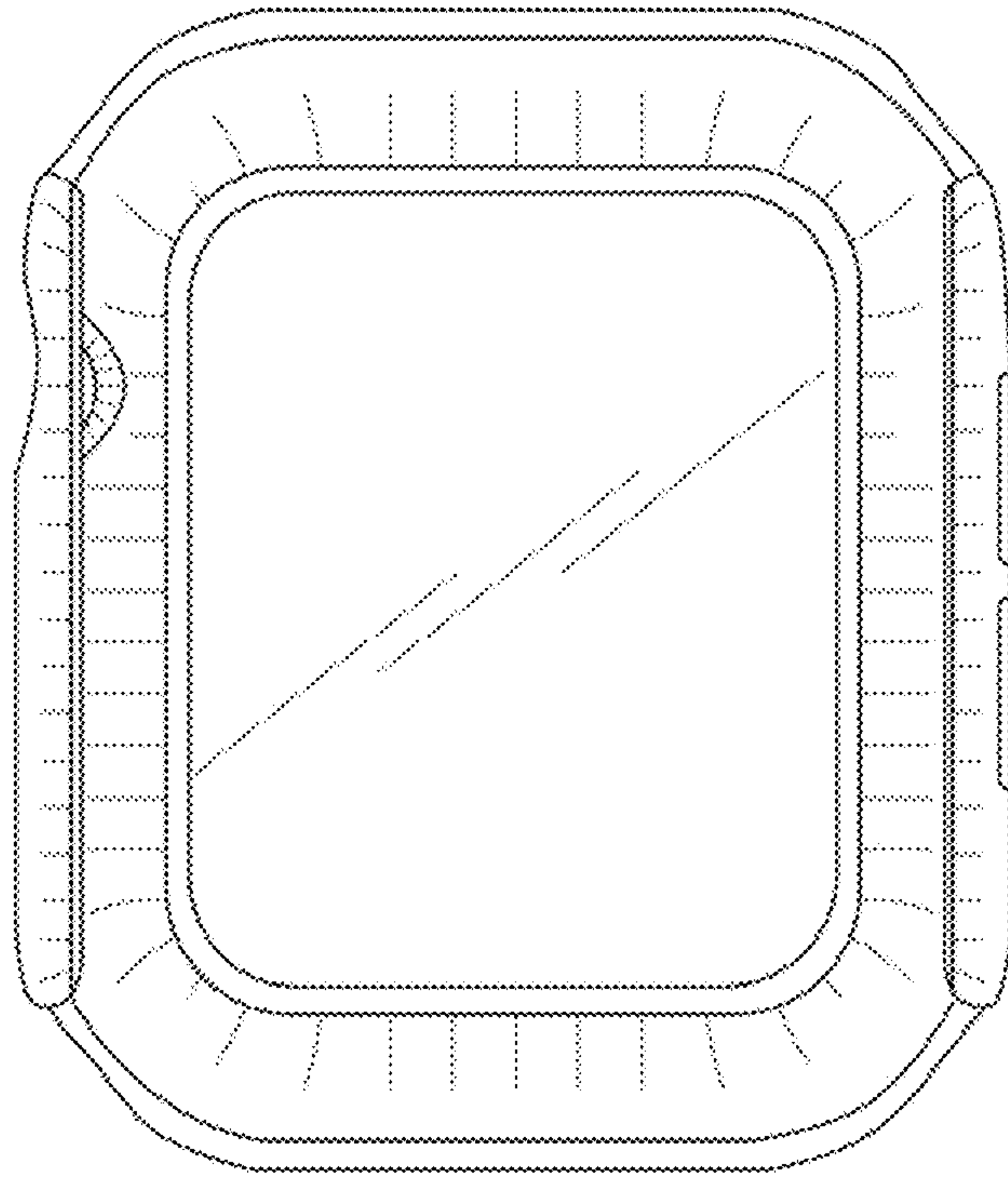


FIG. 3



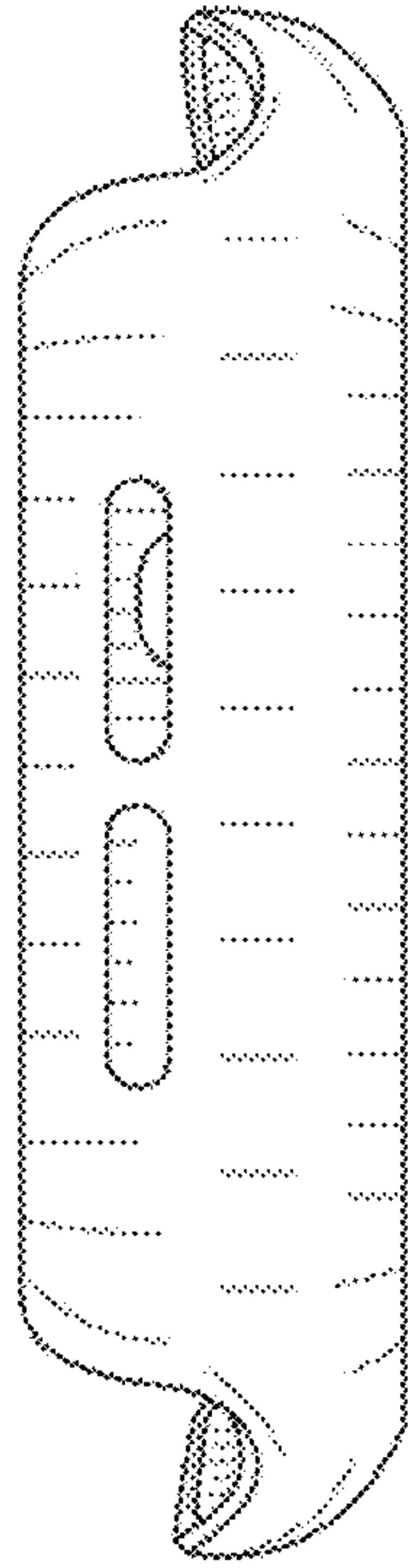


FIG.4

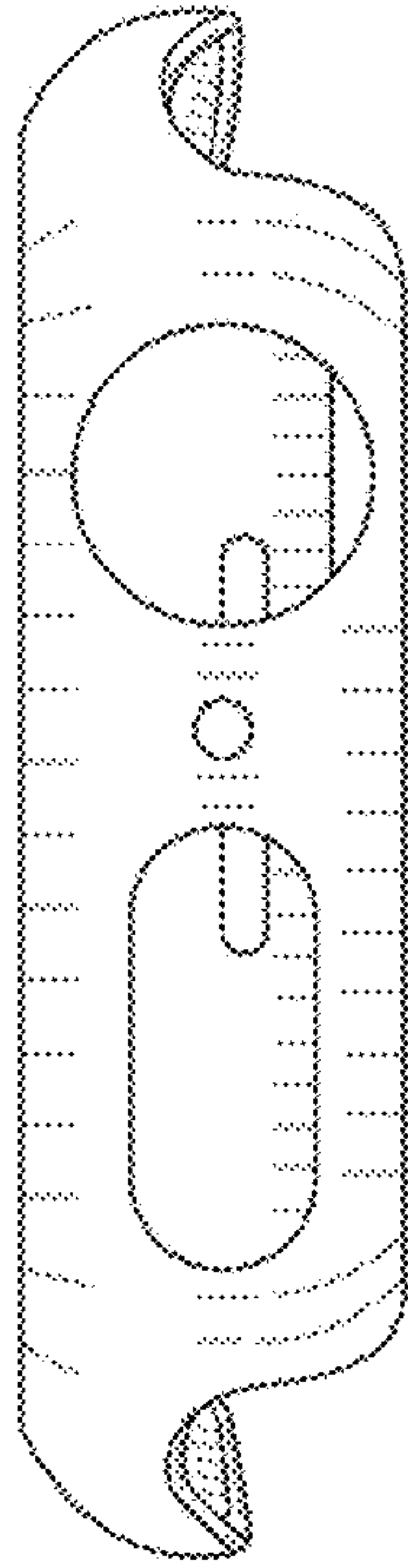


FIG. 5

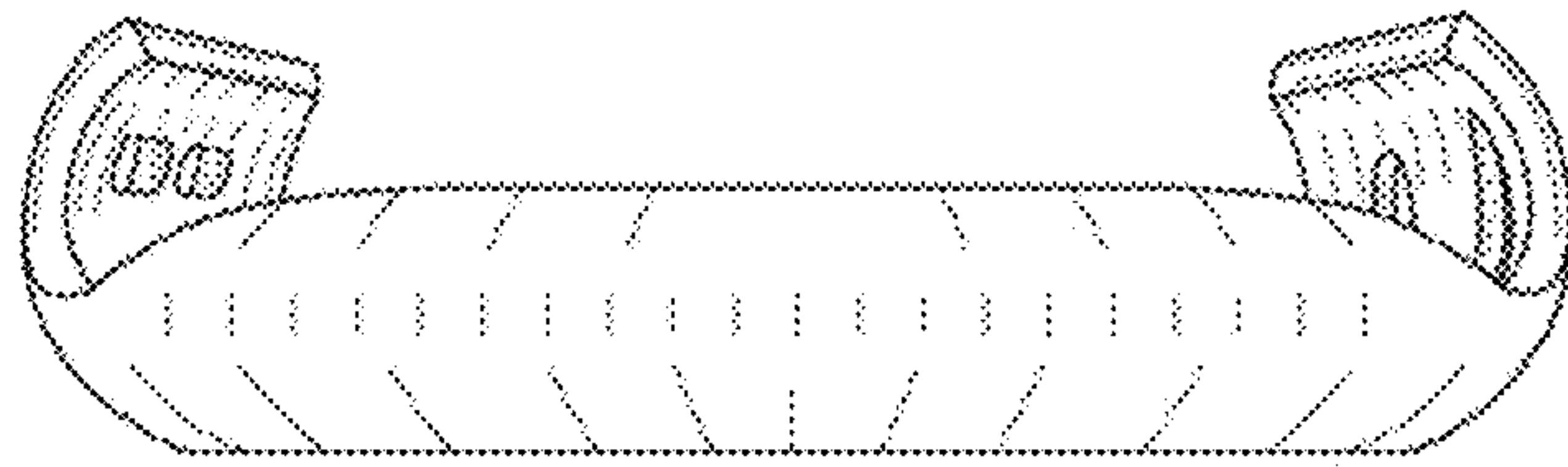


FIG.6



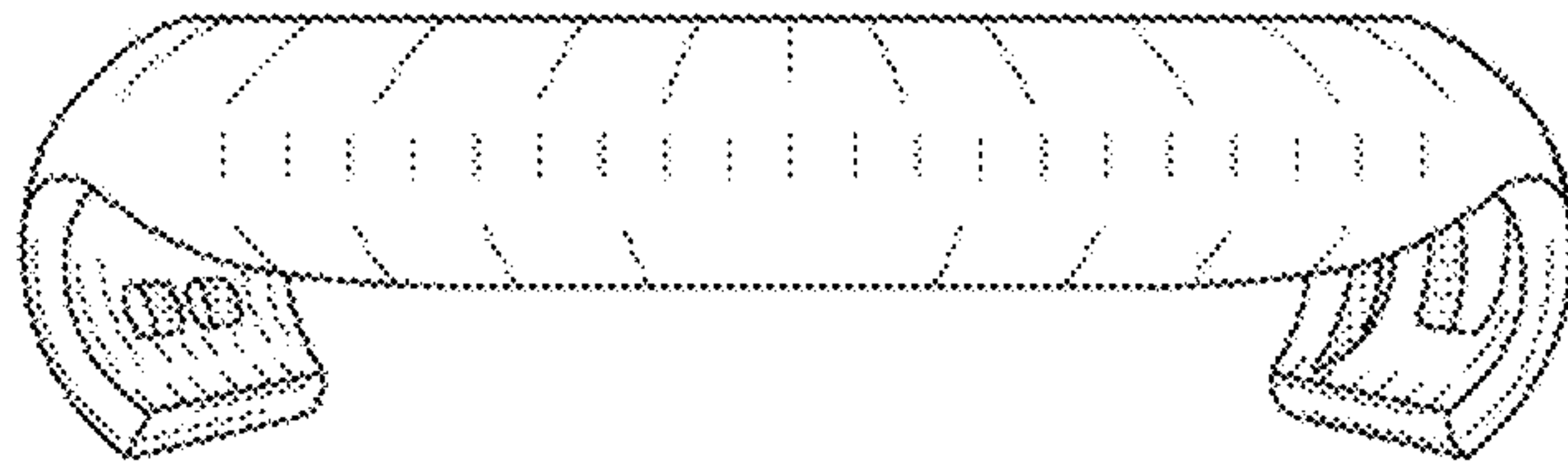


FIG.7