



US00D897349S

(12) **United States Design Patent**
Li

(10) **Patent No.:** **US D897,349 S**

(45) **Date of Patent:** **** Sep. 29, 2020**

(54) **TABLET CASE**

(71) Applicant: **Jianhui Li**, Shenzhen (CN)

(72) Inventor: **Jianhui Li**, Shenzhen (CN)

(**) Term: **15 Years**

(21) Appl. No.: **29/680,632**

(22) Filed: **Feb. 19, 2019**

(51) **LOC (12) Cl.** **14-02**

(52) **U.S. Cl.**
USPC **D14/440**

(58) **Field of Classification Search**

USPC D14/440, 447, 250, 316; 206/45.23, 320,
206/45.2; 361/679.55; 294/25; 224/218

CPC G06F 1/1628; G06F 1/1626; G06F 1/1669;
A47B 23/044; H04B 1/3888

See application file for complete search history.

(56) **References Cited**

U.S. PATENT DOCUMENTS

D689,056 S *	9/2013	Li	D14/440
D690,704 S *	10/2013	Padilla	D14/440
D727,917 S *	4/2015	Yeo	D14/440
D733,154 S *	6/2015	Armstrong	D14/440
D752,052 S *	3/2016	Park	D14/440
D763,853 S *	8/2016	Pearce	D14/440
D766,249 S *	9/2016	Veltz	D14/440
D784,350 S *	4/2017	Li	D14/440
D790,550 S *	6/2017	Chen	D14/440
D803,221 S *	11/2017	Guo	D14/440
D806,080 S *	12/2017	Chen	D14/440
D807,366 S *	1/2018	Chen	D14/440
D807,369 S *	1/2018	Chen	D14/440
D808,973 S *	1/2018	Chen	D14/440
D811,412 S *	2/2018	McCurdy	D14/440

D812,620 S *	3/2018	Cheng	D14/440
D821,405 S *	6/2018	Chen	D14/440
D852,200 S *	6/2019	Chan	D14/440
D854,022 S *	7/2019	Chen	D14/440
D860,212 S *	9/2019	Ahn	D14/440
D862,442 S *	10/2019	Wei	D14/250
D862,478 S *	10/2019	Ahn	D14/440
D862,479 S *	10/2019	Ahn	D14/440
D862,480 S *	10/2019	Chan	D14/440
D879,105 S *	3/2020	Li	D14/440
2012/0075799 A1 *	3/2012	Pollex	F16M 11/041 361/679.56
2017/0045920 A1 *	2/2017	Armstrong	G06F 1/1669

* cited by examiner

Primary Examiner — Cynthia R Underwood

(57) **CLAIM**

The ornamental design for a tablet case, as shown and described.

DESCRIPTION

FIG. 1 is a perspective view of a tablet case showing my new design;

FIG. 2 is another perspective view thereof;

FIG. 3 is a front elevational view thereof;

FIG. 4 is a rear elevational view thereof;

FIG. 5 is a left side elevational view thereof;

FIG. 6 is a right side elevational view thereof;

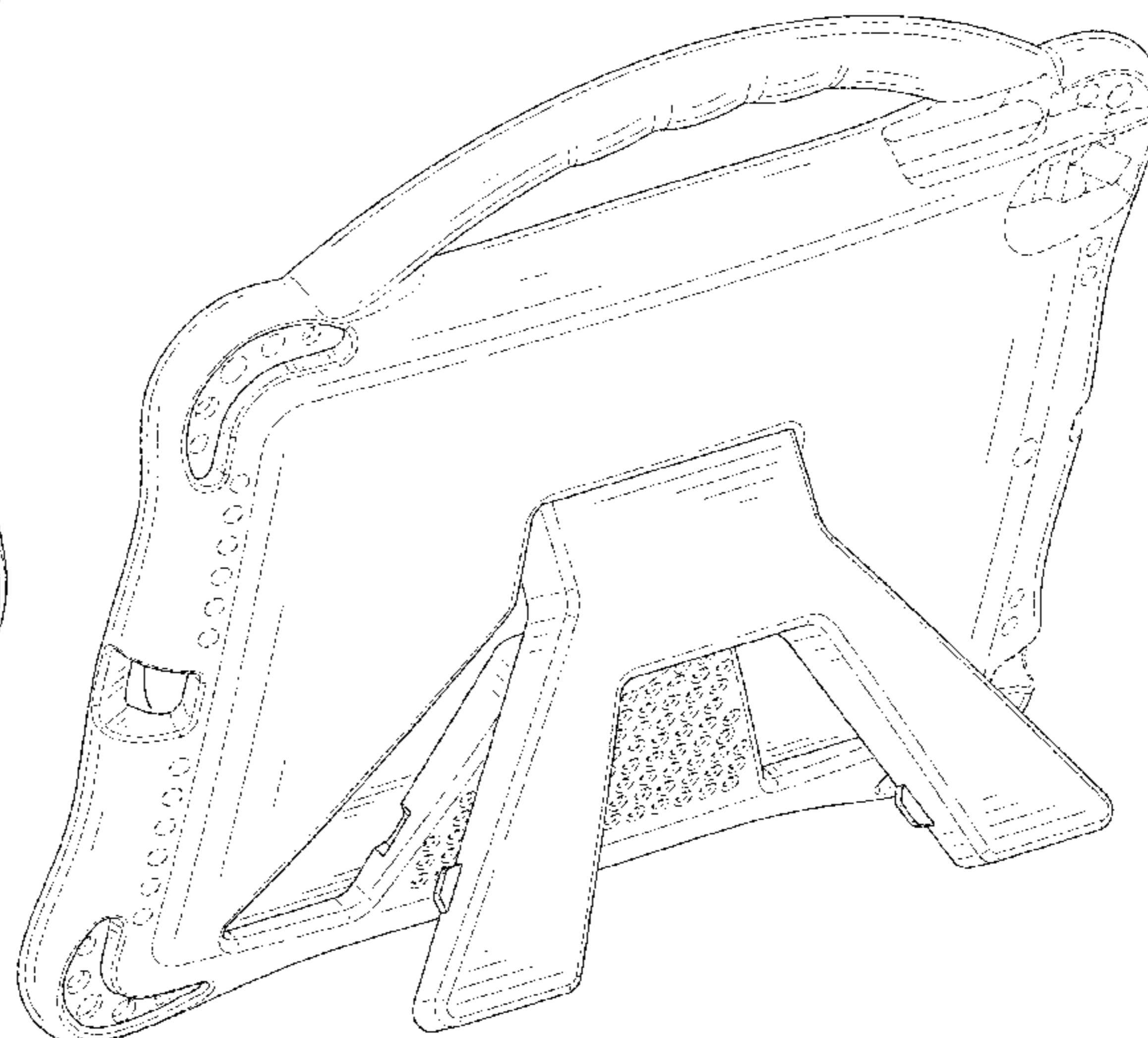
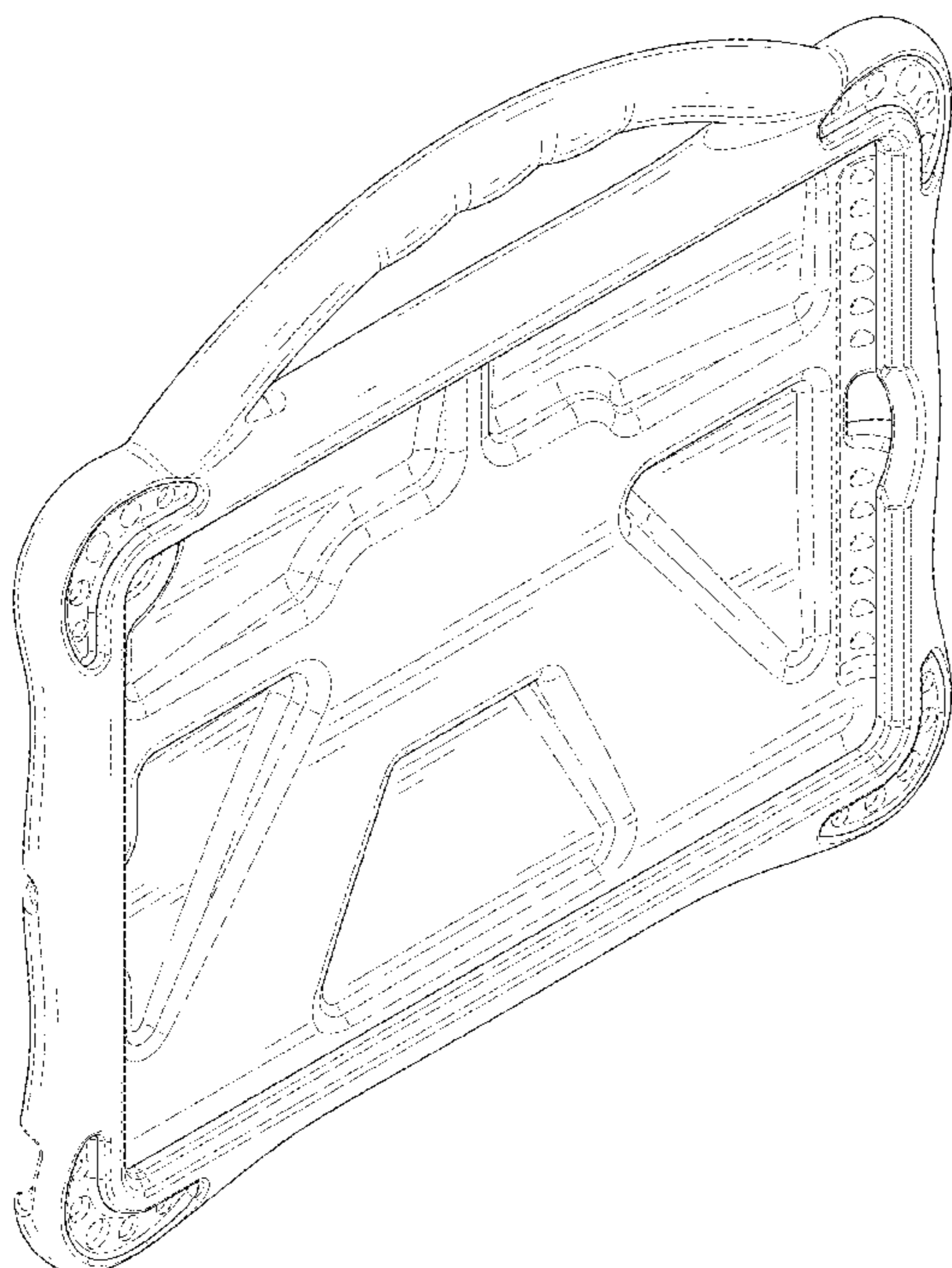
FIG. 7 is a top plan view thereof;

FIG. 8 is a bottom plan view thereof; and,

FIG. 9 is a perspective view of the tablet case where a kickstand is in an open state.

The broken lines in the drawings depict portions of the tablet case that form no part of the claimed design.

1 Claim, 9 Drawing Sheets



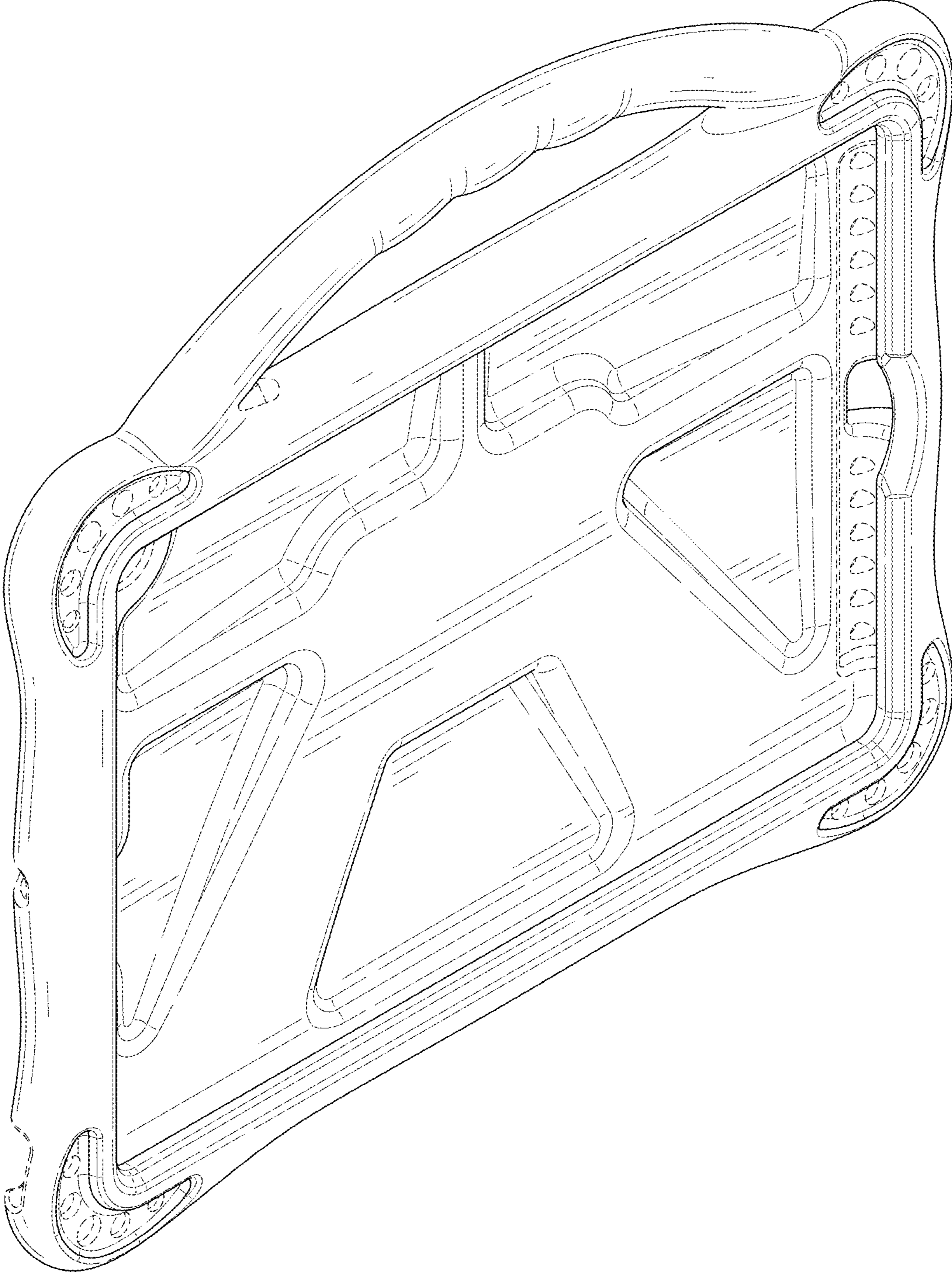


FIG. 1

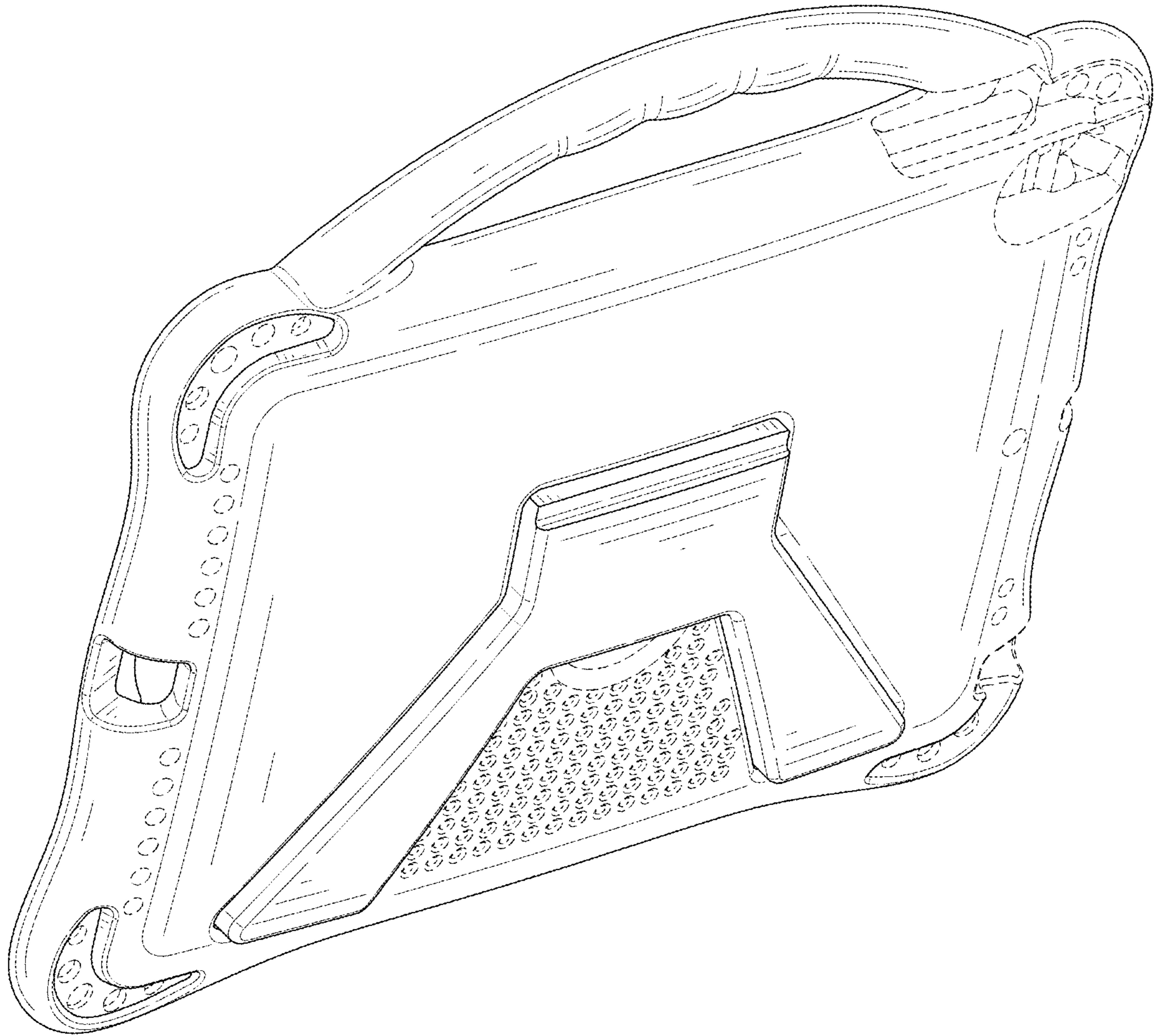


FIG. 2

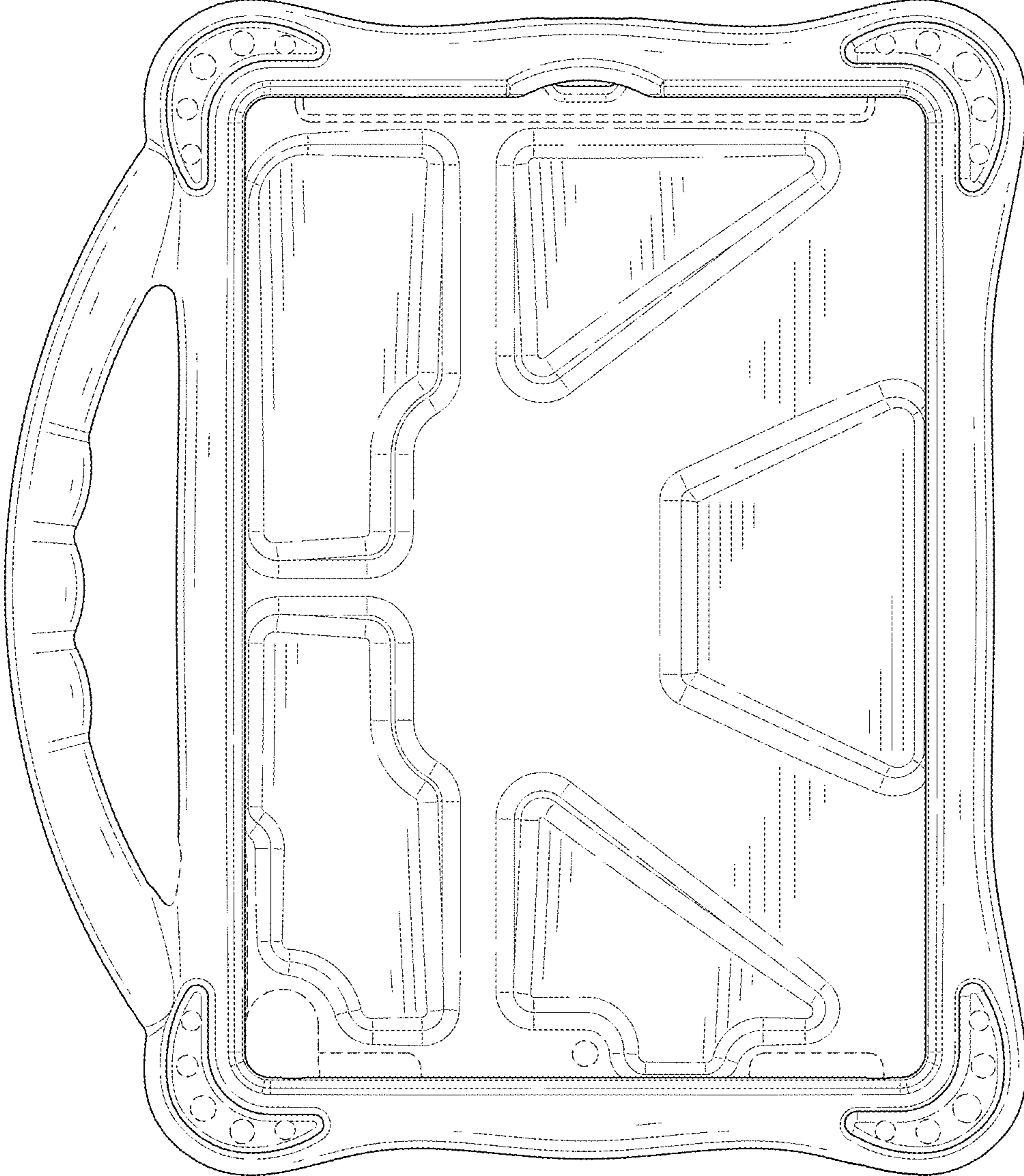


FIG. 3

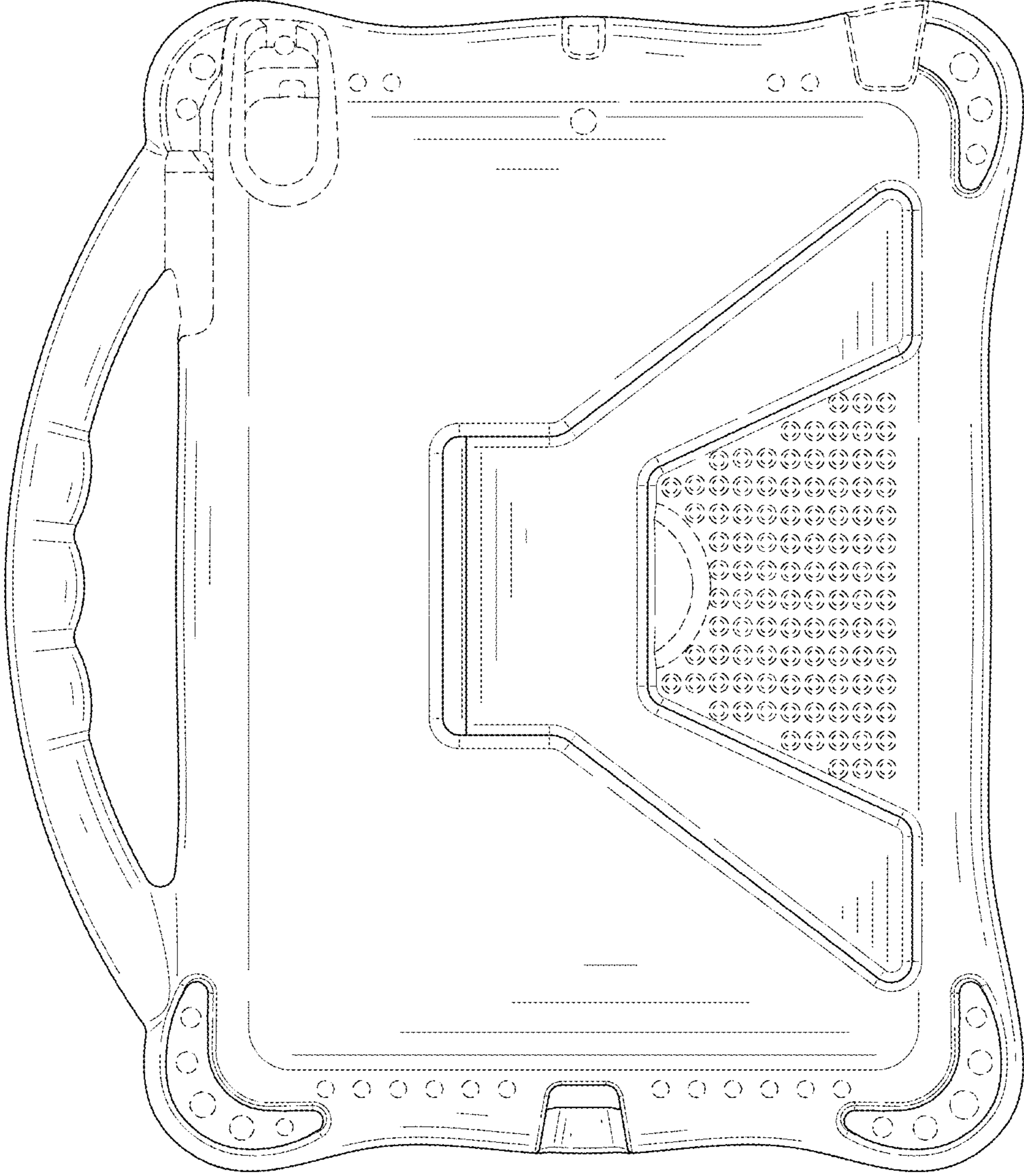


FIG. 4

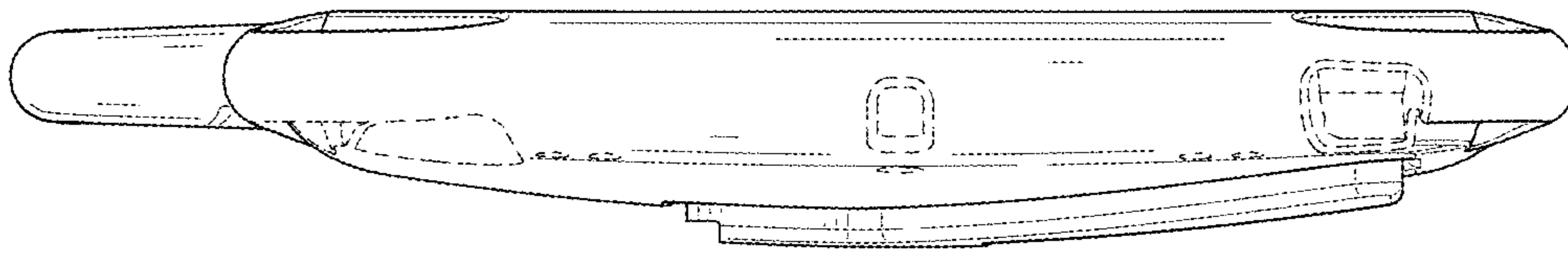


FIG. 5

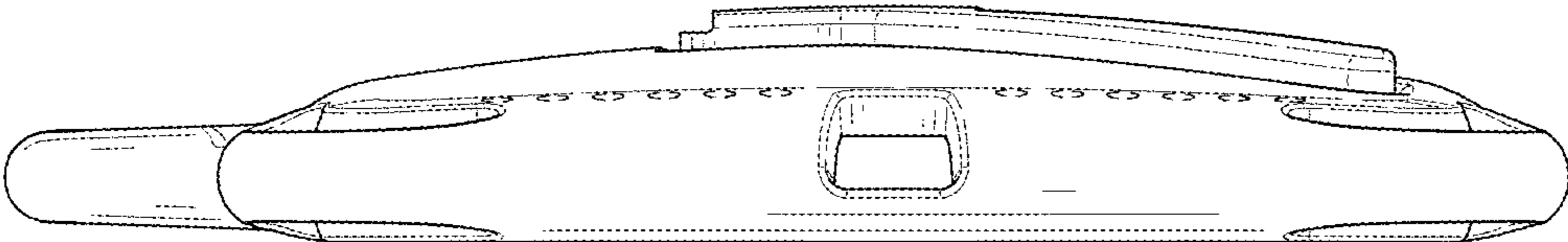


FIG. 6

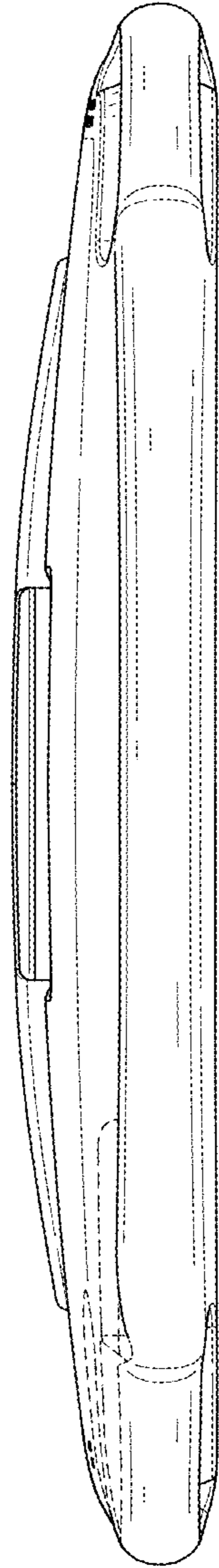


FIG. 7

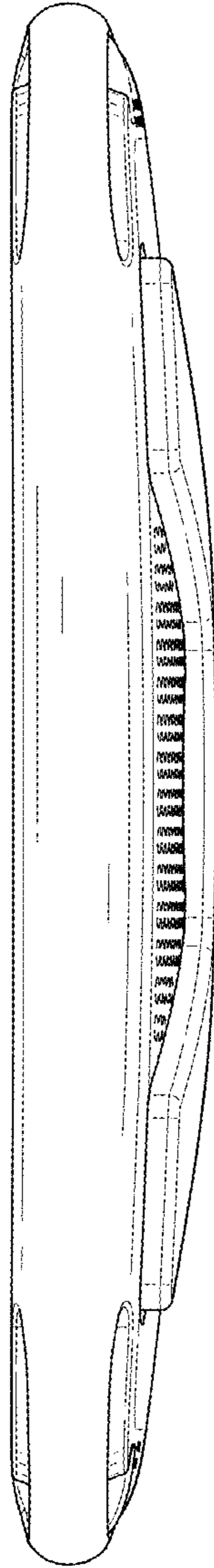


FIG. 8

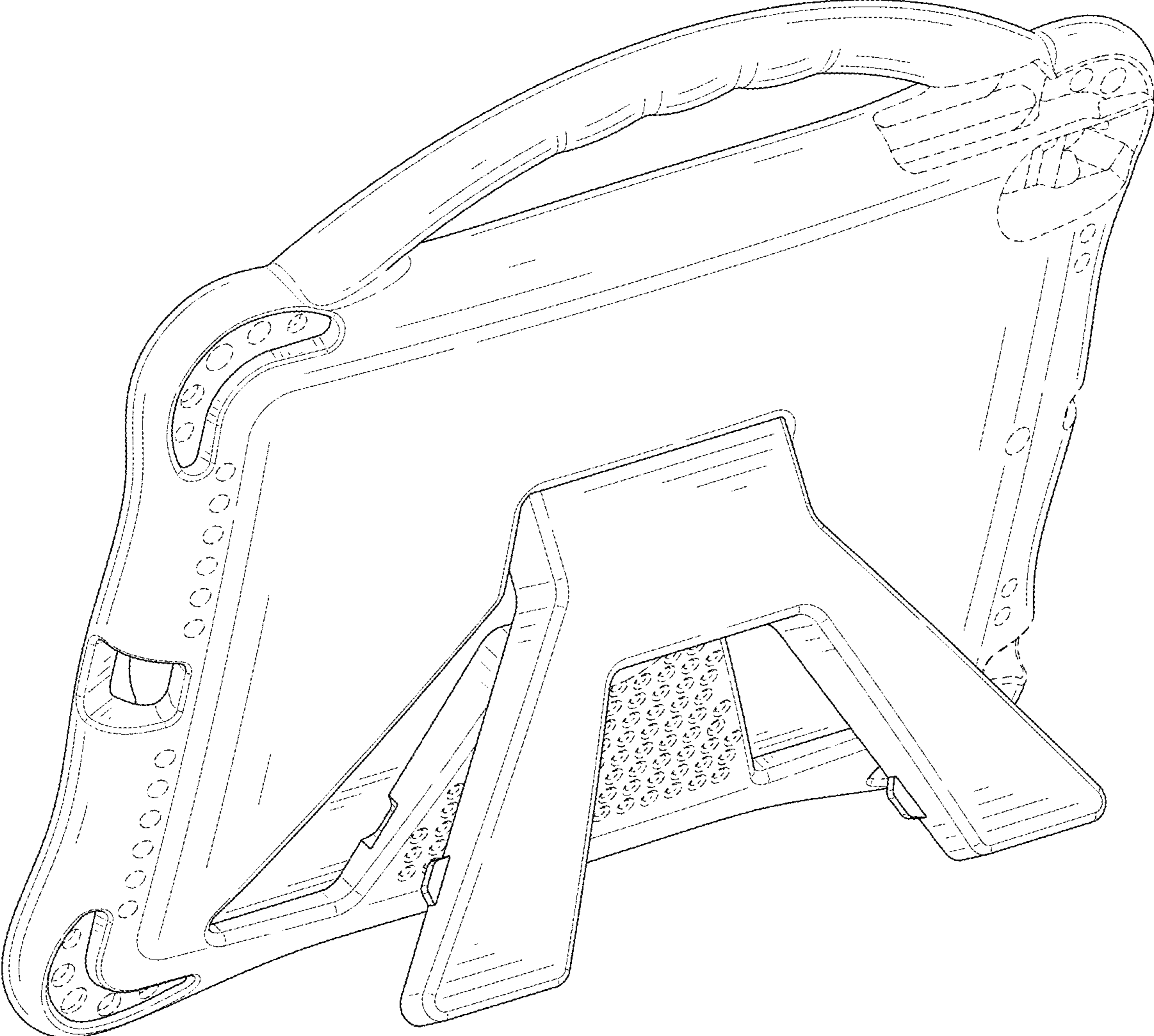


FIG. 9