



US00D897348S

(12) **United States Design Patent**
Liao

(10) **Patent No.:** **US D897,348 S**

(45) **Date of Patent:** **** Sep. 29, 2020**

- (54) **TABLET CASE**
- (71) Applicant: **Shenzhen Lanbo Technology Co., Ltd.**, Guangdong (CN)
- (72) Inventor: **Runzhen Liao**, Guangdong (CN)
- (73) Assignee: **Shenzhen Lanbo Technology Co., Ltd.**, Shenzhen, Guangdong (CN)
- (**) Term: **15 Years**
- (21) Appl. No.: **29/673,267**
- (22) Filed: **Dec. 13, 2018**
- (30) **Foreign Application Priority Data**
 - Aug. 1, 2018 (CN) 2018 3 0420956
- (51) **LOC (12) Cl.** **14-02**
- (52) **U.S. Cl.**
USPC **D14/440**
- (58) **Field of Classification Search**
 - USPC D14/440, 447, 250; 206/45.23, 320, 206/45.2, 224; 294/25; 224/218; 361/679.55
 - CPC G06F 1/1628; G06F 1/1626; G06F 1/1669; G06F 1/1679; A47B 23/044; H04B 1/3888; A45C 11/00

See application file for complete search history.

- (56) **References Cited**
 - U.S. PATENT DOCUMENTS**
 - D641,154 S * 7/2011 Smith D3/218
 - D660,305 S * 5/2012 Ho D14/447
 - 9,074,725 B2 * 7/2015 Trotsky F16M 11/105
 - D747,321 S * 1/2016 London D14/440
 - D749,069 S * 2/2016 Senoff D14/251
 - D749,083 S * 2/2016 Senoff D14/451
 - D749,559 S * 2/2016 Senoff D14/251

- D753,912 S * 4/2016 Spero A45F 5/021 D3/218
- 9,392,865 B2 * 7/2016 Shmulevich A45F 5/10
- D782,488 S * 3/2017 Kim D14/447
- D815,086 S * 4/2018 Jeon D14/251
- D824,911 S * 8/2018 London D14/440
- D834,582 S * 11/2018 Zhuang D14/440
- D847,140 S * 4/2019 Chapuis D14/440
- D851,650 S * 6/2019 Minn D14/440
- D852,199 S * 6/2019 Kim D14/440
- D855,048 S * 7/2019 Kim D14/253
- D858,507 S * 9/2019 Jang D14/251
- D863,280 S * 10/2019 Aloe D14/250
- D866,546 S * 11/2019 Stillwell D14/253
- D874,454 S * 2/2020 Lederer D14/253
- D874,465 S * 2/2020 Poon D14/440
- D883,987 S * 5/2020 Cheng D14/440
- 2010/0123062 A1 * 5/2010 Jones F16M 13/02 248/222.14
- 2012/0104185 A1 * 5/2012 Carroll F16M 13/00 248/27.1

(Continued)

Primary Examiner — Cynthia R Underwood
(74) *Attorney, Agent, or Firm* — Muncy, Geissler, Olds & Lowe, P.C.

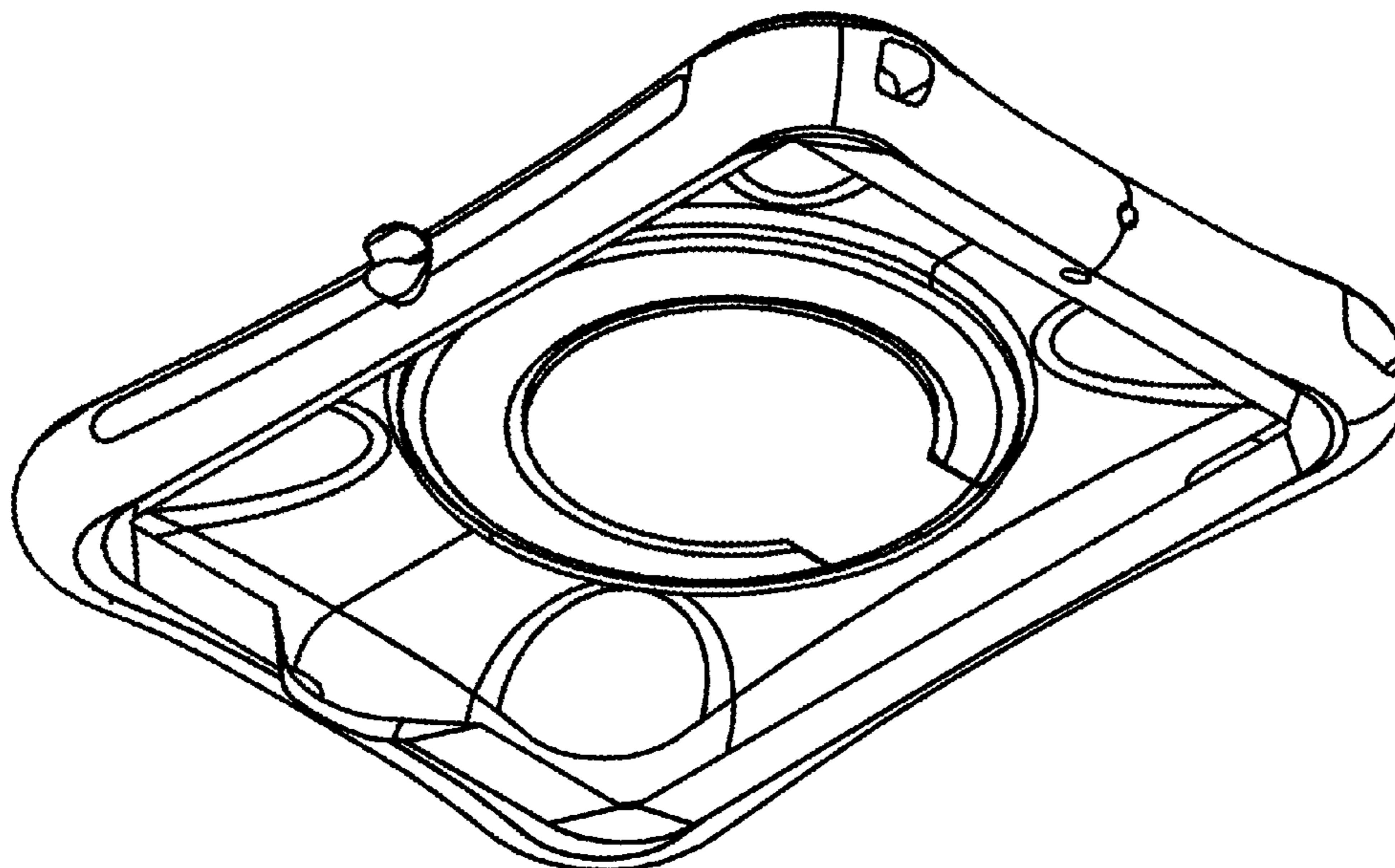
(57) **CLAIM**

The ornamental design for a tablet case, as shown and described.

DESCRIPTION

FIG. 1 is a Front elevational view of a tablet case showing my new design;
FIG. 2 is a Rear elevational view thereof;
FIG. 3 is a Left side view thereof;
FIG. 4 is a Right side view thereof;
FIG. 5 is a Top plan view thereof, and
FIG. 6 is a Bottom plan view thereof;
FIG. 7 is a Perspective view thereof; and,
FIG. 8 is another Perspective view(from rear side) thereof.

1 Claim, 8 Drawing Sheets



(56)

References Cited

U.S. PATENT DOCUMENTS

2017/0196327 A1* 7/2017 Ma H04B 1/3888

* cited by examiner

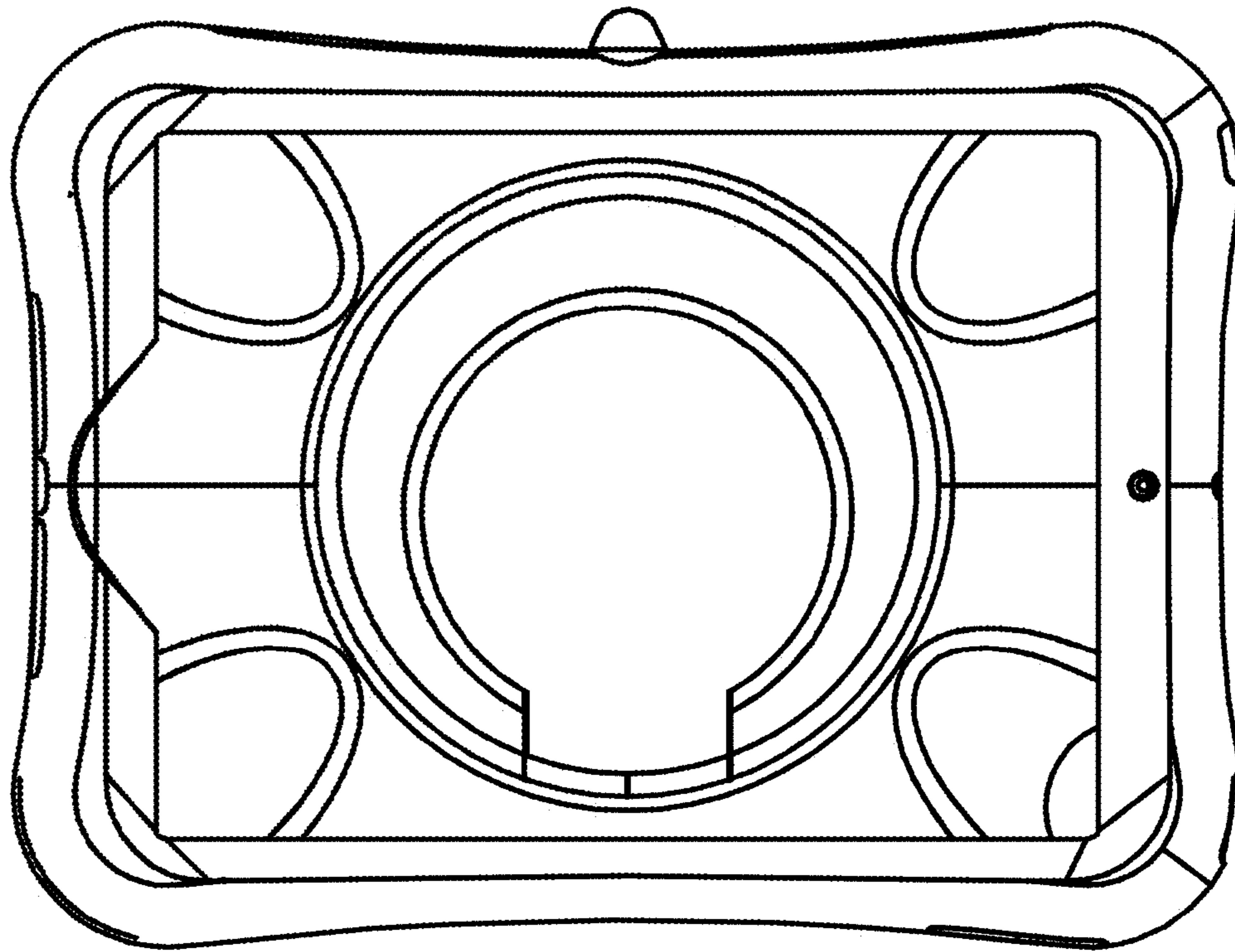


Fig. 1

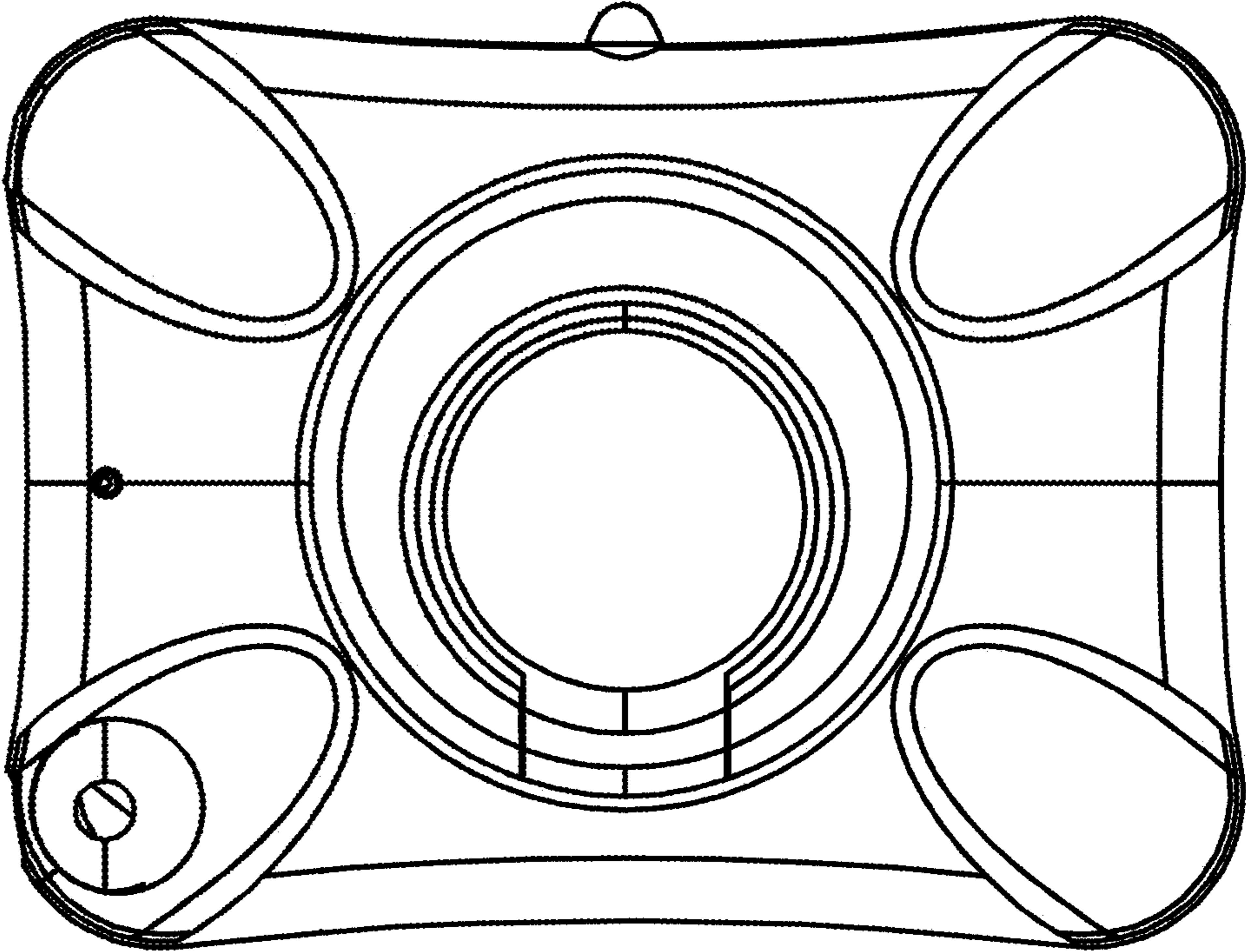


Fig. 2

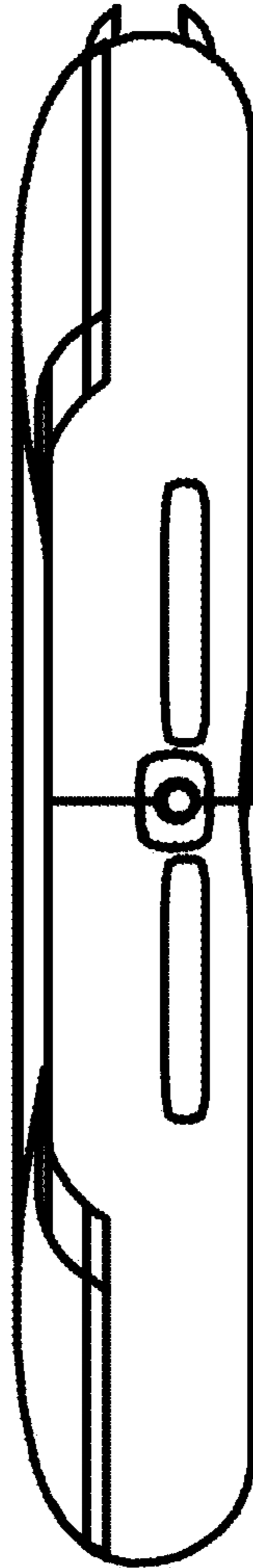


Fig. 3

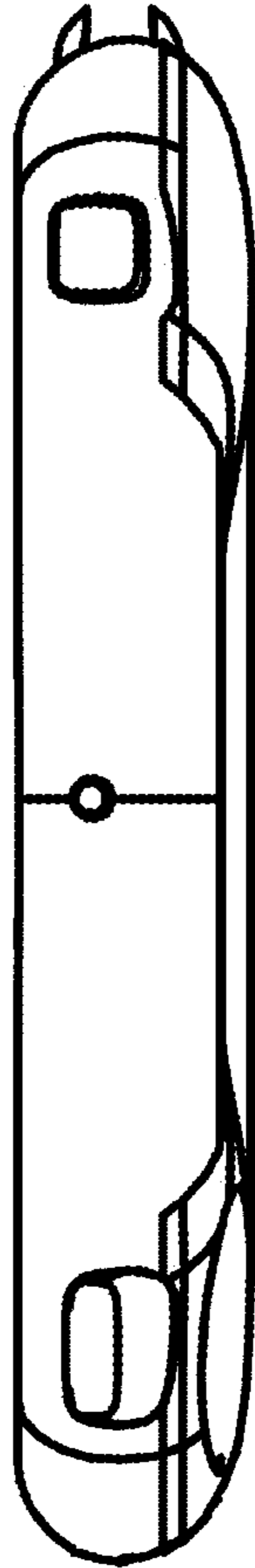


Fig. 4

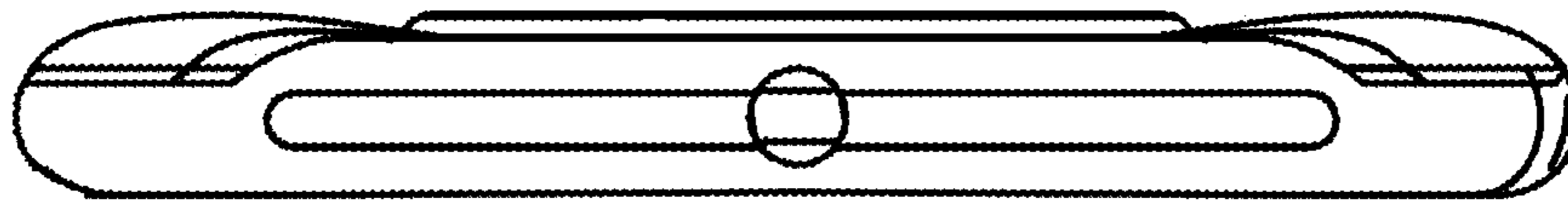


Fig. 5

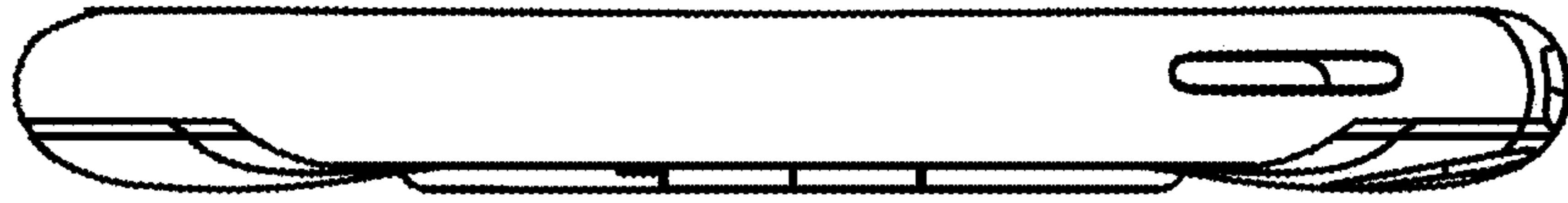


Fig. 6

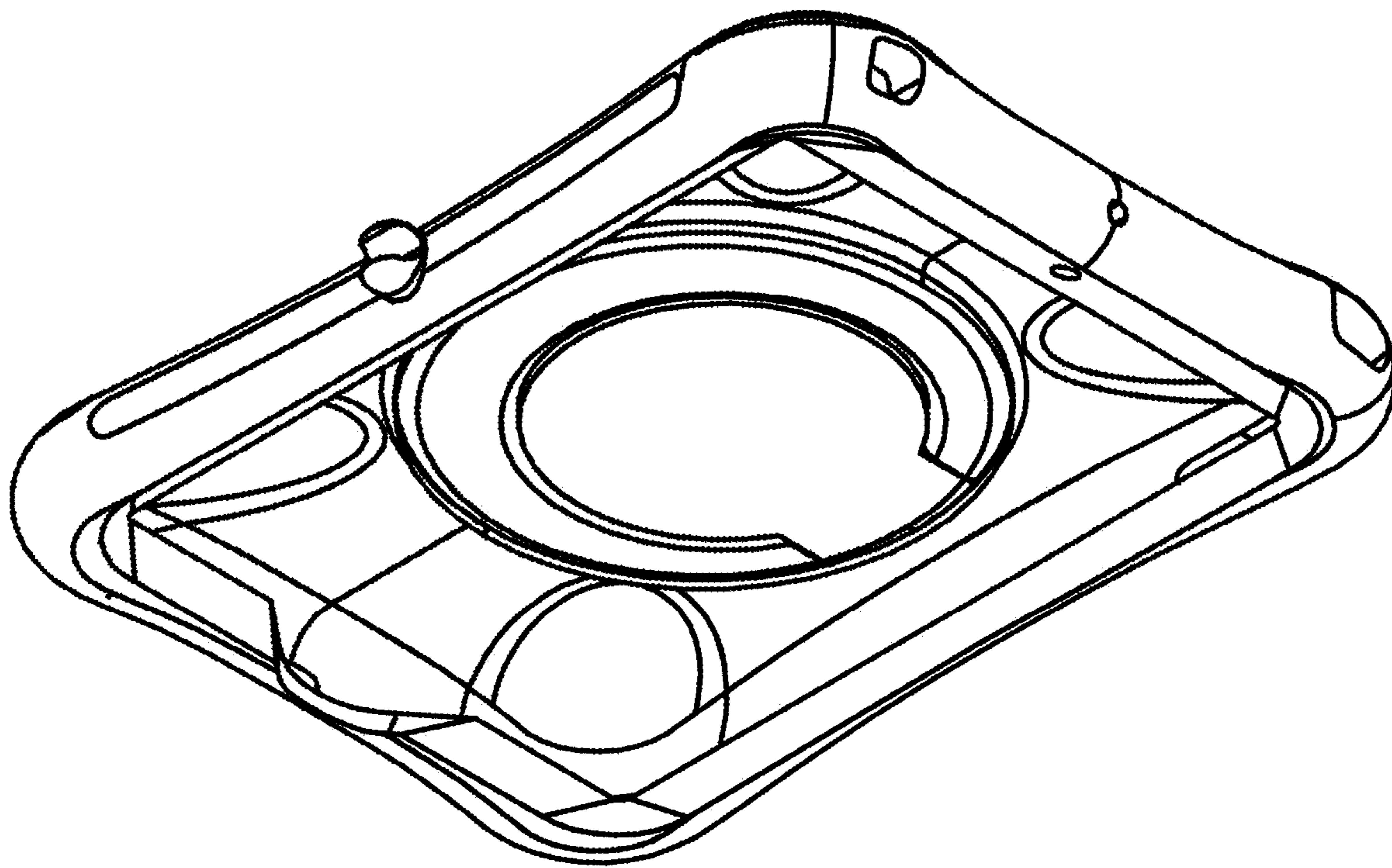


Fig. 7

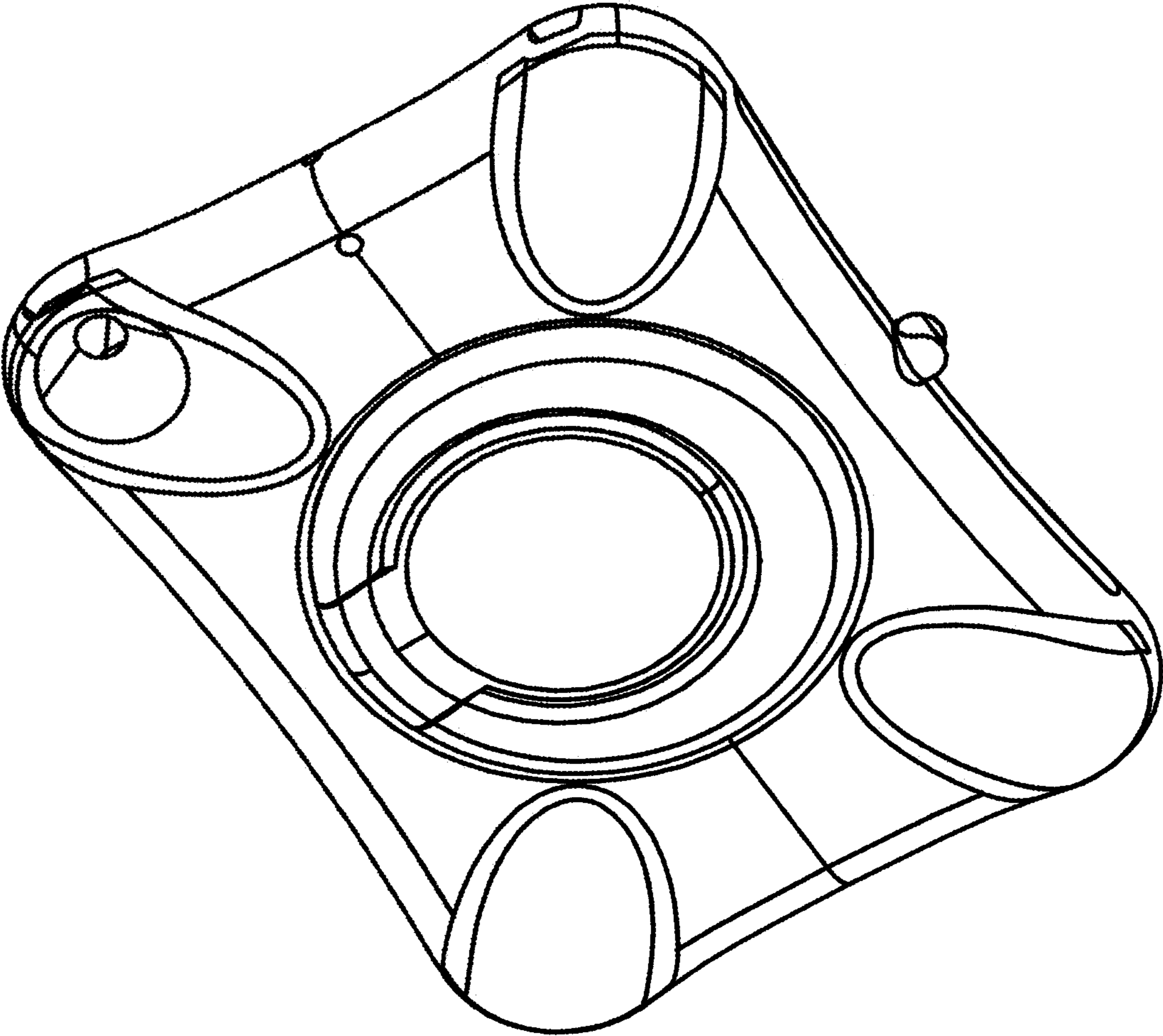


Fig. 8