



US00D897347S

(12) **United States Design Patent**  
**Luo**

(10) **Patent No.:** **US D897,347 S**

(45) **Date of Patent:** **\*\* Sep. 29, 2020**

(54) **PROTECTIVE CASE FOR TABLET COMPUTER**

(71) Applicant: **Xiaoming Luo**, Guangdong (CN)

(72) Inventor: **Xiaoming Luo**, Guangdong (CN)

(\*\*) Term: **15 Years**

(21) Appl. No.: **29/654,080**

(22) Filed: **Jun. 21, 2018**

(51) **LOC (12) Cl.** ..... **14-02**

(52) **U.S. Cl.**  
USPC ..... **D14/440**

(58) **Field of Classification Search**  
USPC ..... D14/440, 447, 250; 206/45.23, 320,  
206/45.2; 361/679.55; 294/25; 224/218  
CPC .... G06F 1/1628; G06F 1/1626; A47B 23/044  
See application file for complete search history.

(56) **References Cited**

**U.S. PATENT DOCUMENTS**

|              |      |         |           |       |             |         |
|--------------|------|---------|-----------|-------|-------------|---------|
| 6,726,070    | B2 * | 4/2004  | Lautner   | ..... | A44C 5/0007 | 224/221 |
| D721,376     | S *  | 1/2015  | Lee       | ..... | D14/440     |         |
| D747,321     | S *  | 1/2016  | London    | ..... | D14/440     |         |
| D749,592     | S *  | 2/2016  | Huang     | ..... | D14/440     |         |
| D766,249     | S *  | 9/2016  | Veltz     | ..... | D14/440     |         |
| D806,083     | S *  | 12/2017 | Armstrong | ..... | D14/440     |         |
| D807,369     | S *  | 1/2018  | Chen      | ..... | D14/440     |         |
| D811,412     | S *  | 2/2018  | McCurdy   | ..... | D14/440     |         |
| D817,316     | S *  | 5/2018  | Srouf     | ..... | D14/251     |         |
| D837,219     | S *  | 1/2019  | Gao       | ..... | D14/440     |         |
| D852,802     | S *  | 7/2019  | Gao       | ..... | D14/440     |         |
| D874,465     | S *  | 2/2020  | Poon      | ..... | D14/440     |         |
| D881,894     | S *  | 4/2020  | Zhang     | ..... | D14/440     |         |
| 2004/0226973 | A1 * | 11/2004 | Kao       | ..... | F16M 11/041 | 224/218 |

|              |      |         |            |       |              |            |
|--------------|------|---------|------------|-------|--------------|------------|
| 2007/0215512 | A1 * | 9/2007  | Bellissimo | ..... | A47G 23/0625 | 206/557    |
| 2009/0219677 | A1 * | 9/2009  | Mori       | ..... | A45F 3/14    | 361/679.03 |
| 2011/0267748 | A1 * | 11/2011 | Lane       | ..... | A45F 5/00    | 361/679.01 |
| 2011/0309117 | A1 * | 12/2011 | Roberts    | ..... | A45F 5/00    | 224/217    |
| 2012/0091312 | A1 * | 4/2012  | Baker      | ..... | F16M 13/00   | 248/682    |
| 2014/0054910 | A1 * | 2/2014  | Kim        | ..... | H04B 1/385   | 294/158    |
| 2014/0152034 | A1 * | 6/2014  | Tussy      | ..... | F16M 13/04   | 294/142    |
| 2015/0009610 | A1 * | 1/2015  | London     | ..... | G06F 1/163   | 361/679.03 |
| 2017/0045920 | A1 * | 2/2017  | Armstrong  | ..... | G06F 1/1669  |            |

\* cited by examiner

*Primary Examiner* — Cynthia R Underwood

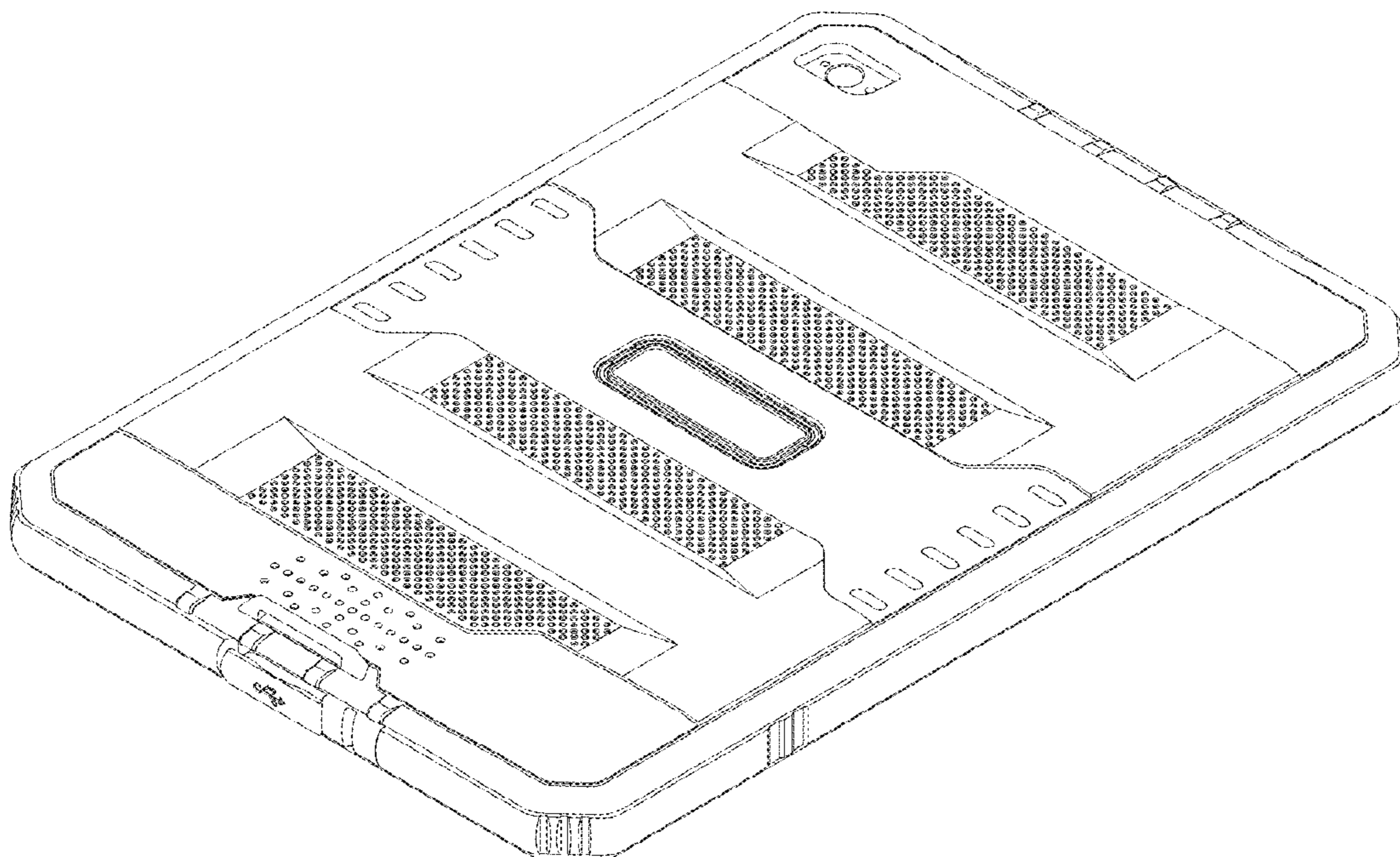
(57) **CLAIM**

The ornamental design for a protective case for tablet computer, as shown.

**DESCRIPTION**

FIG. 1 is a front elevational view of a protective case for tablet computer showing my new design; FIG. 2 is a rear elevational view in enlarge scale thereof; FIG. 3 is a left side view in reduce scale thereof; FIG. 4 is a right side view in reduce scale thereof; FIG. 5 is a top plan view in enlarge scale thereof; FIG. 6 is a bottom plan view in enlarge scale thereof; FIG. 7 is a front perspective view thereof; and, FIG. 8 is a back perspective view thereof.

**1 Claim, 6 Drawing Sheets**



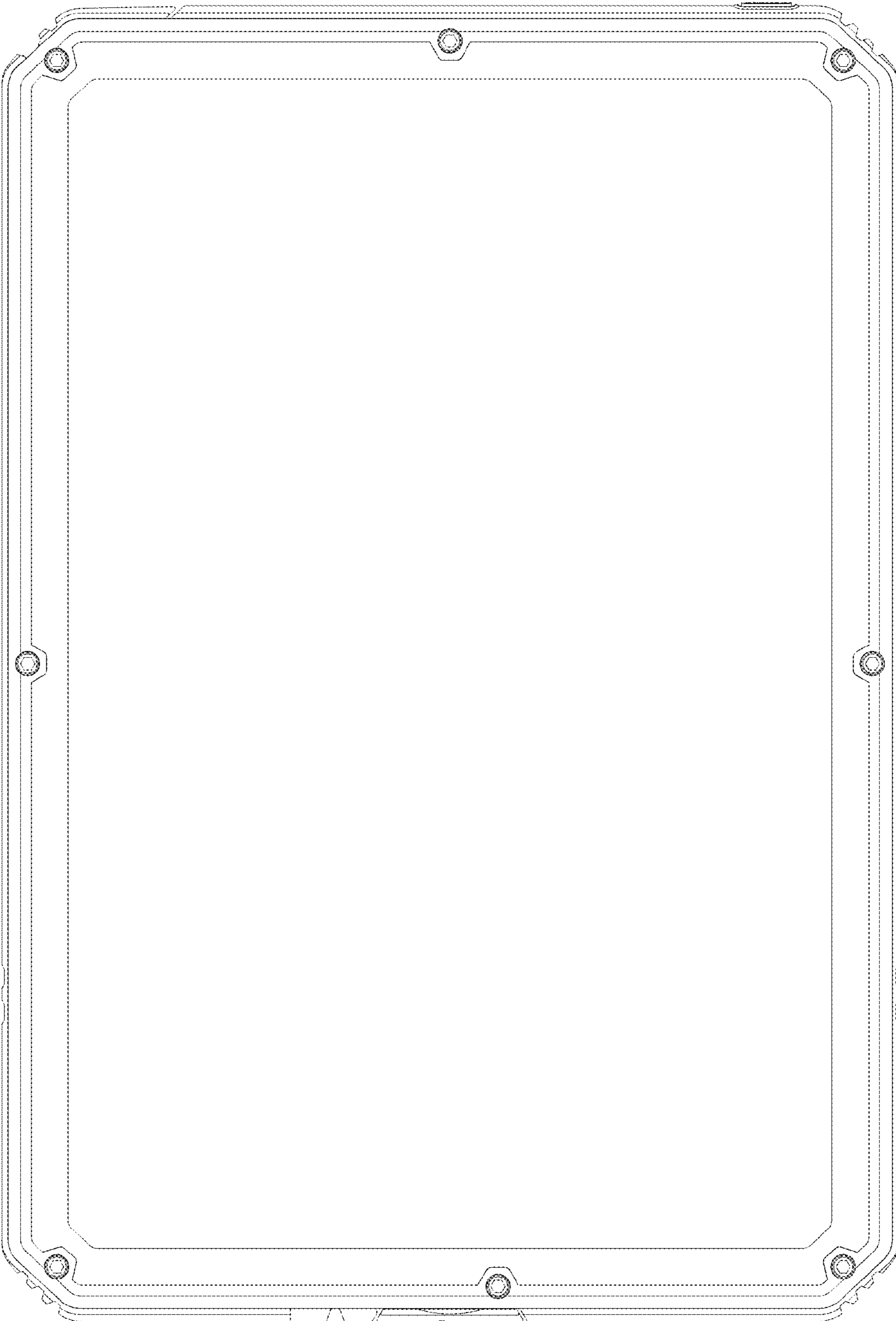


Fig. 1

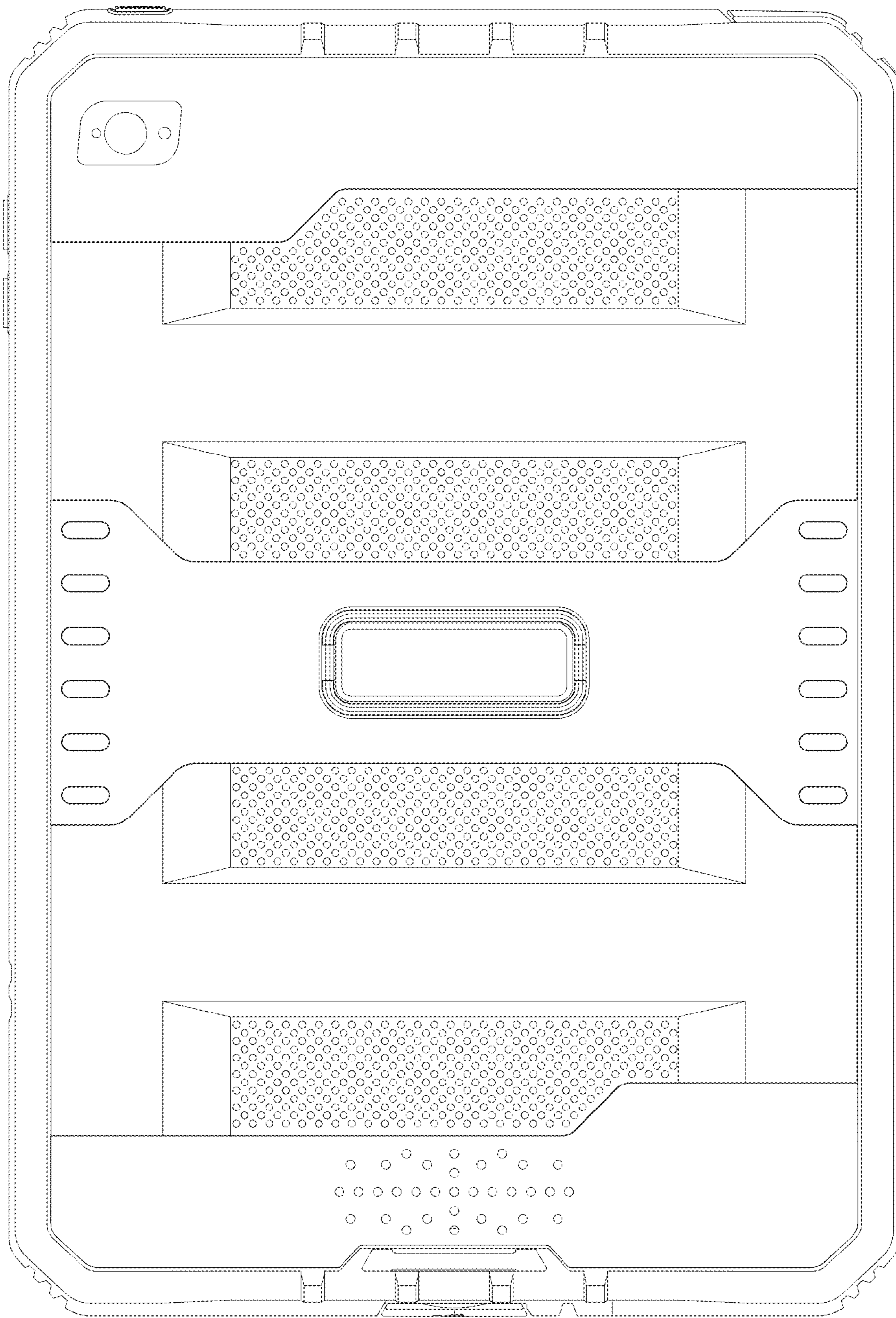


Fig. 2

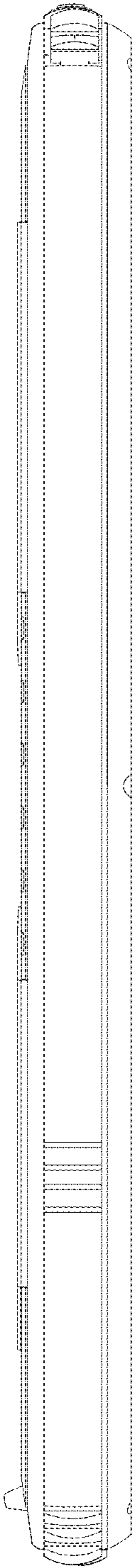


Fig. 3

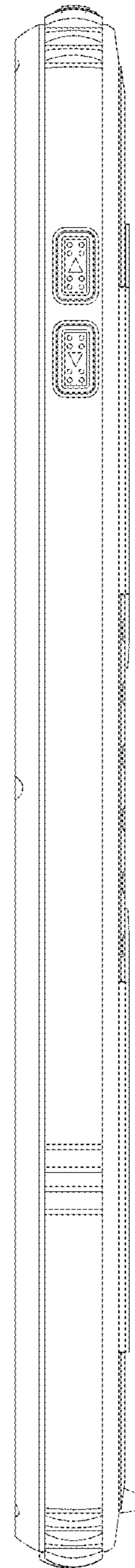


Fig. 4

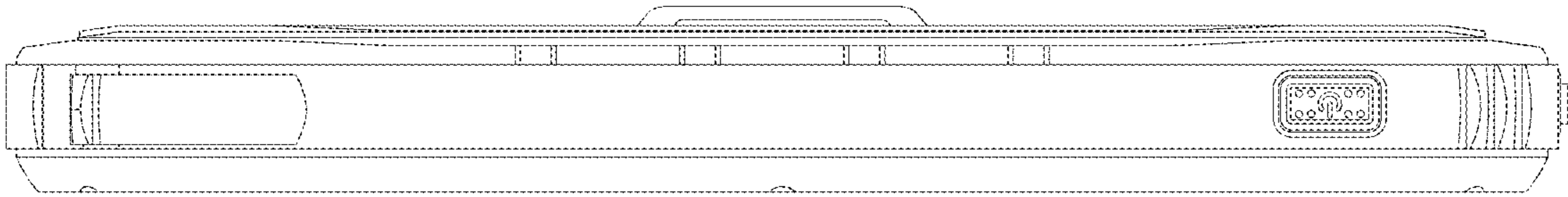


Fig. 5

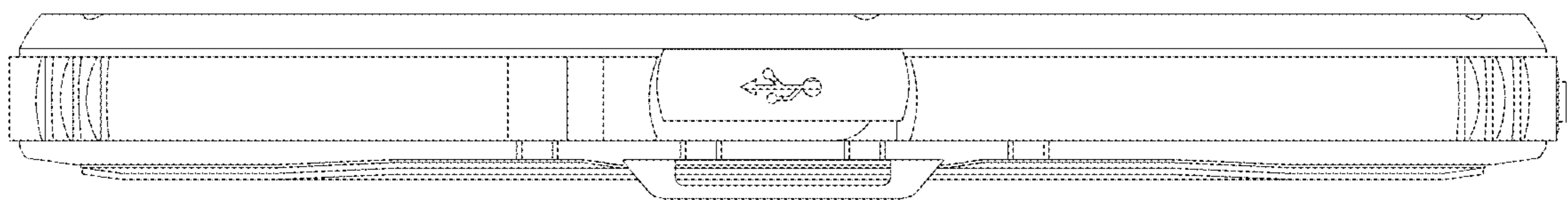


Fig. 6

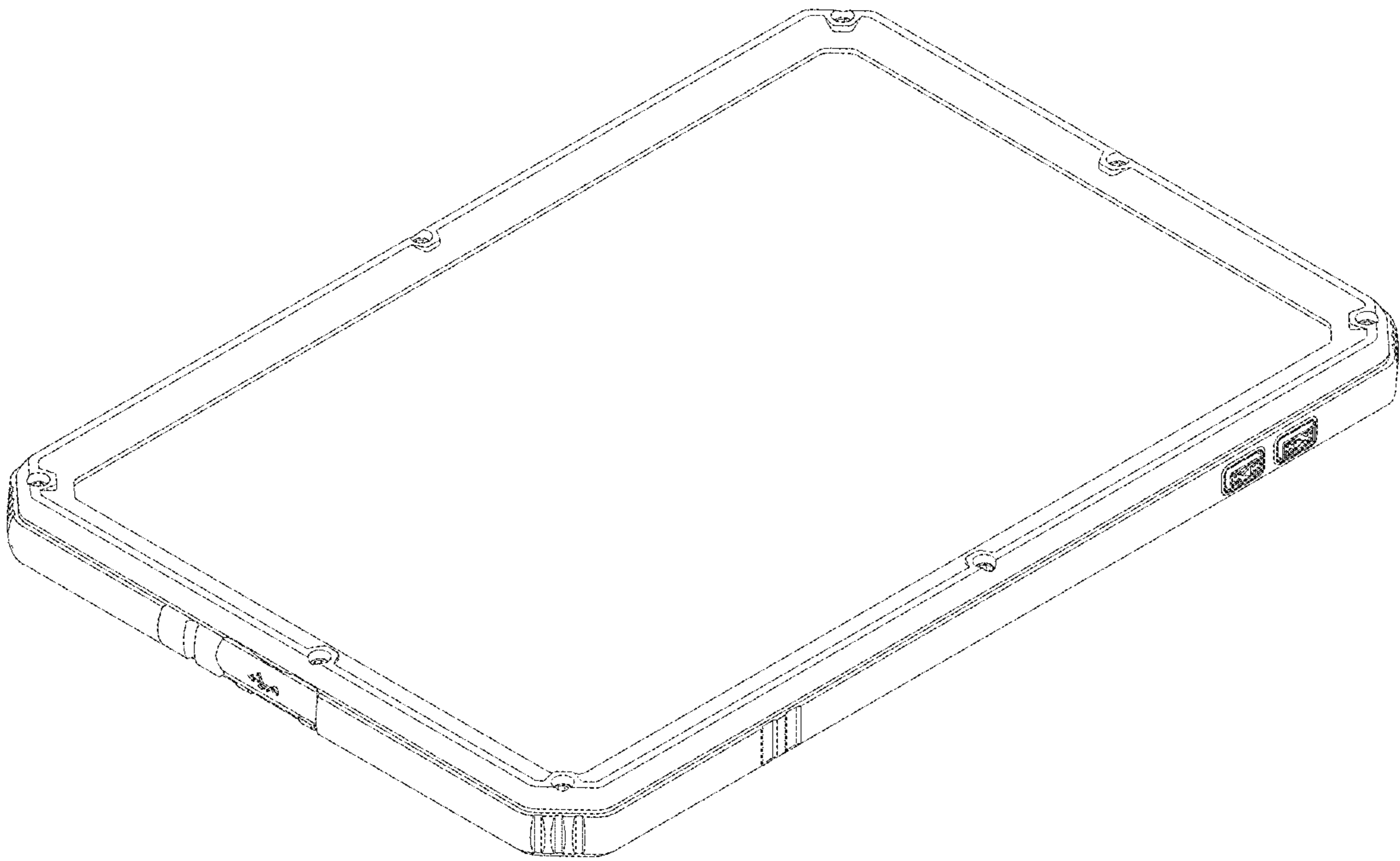


Fig. 7

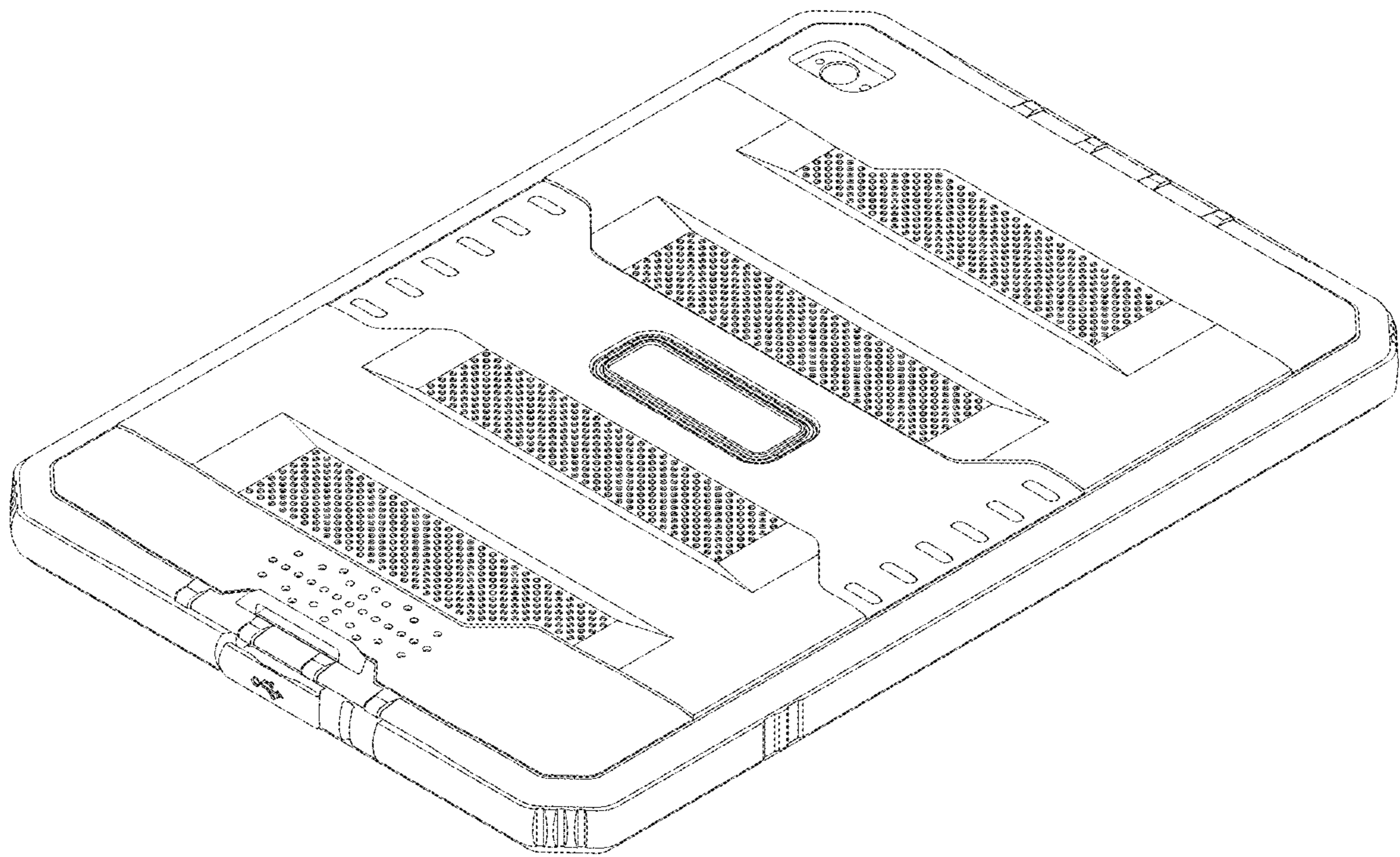


Fig. 8