



US00D897345S

(12) **United States Design Patent**
Chen

(10) **Patent No.:** **US D897,345 S**

(45) **Date of Patent:** **** Sep. 29, 2020**

(54) **DOUBLE-DATA-RATE SDRAM CARD**

(71) Applicant: **Sung-Yu Chen**, Hsinchu (TW)

(72) Inventor: **Sung-Yu Chen**, Hsinchu (TW)

(**) Term: **15 Years**

(21) Appl. No.: **29/672,632**

(22) Filed: **Dec. 7, 2018**

(51) **LOC (12) Cl.** **14-02**

(52) **U.S. Cl.**

USPC **D14/435**; D14/436

(58) **Field of Classification Search**

USPC D14/435, 356, 242, 436, 433, 474, 240,
D14/496, 385, 358, 480.1-480.7;
360/97.01, 685, 686, 752, 737, 732, 784,
360/803; 439/135, 144, 139-141, 147,
439/136, 638, 518, 131, 625; 365/51, 63,
365/131, 149, 150, 191; 710/52, 300,
710/313; 711/115, 103, 154, 161-162;
70/58; 323/210; 713/186, 1; 382/124;
235/492; D13/147, 179, 182; D19/72,
D19/108, 101, 110, 111; D8/90-92, 94,
D8/95, 97-107, 70, 70.1, 19, 20, 6, 7;
D21/332; 361/679.31, 679.46;
340/815.55, 686.1

CPC G06K 19/06196; G06K 19/072; G06K
19/0721-0728; G06K 19/073; G06K
19/07309; G06K 19/077; G06K
19/07701; G06K 19/07715; G06K
19/0772; G06K 19/07724; G06K
19/07726; G06K 19/07728; G06K
7/0021; G06F 21/86-88; G06F 21/77-80;
G06F 21/85-88; G06F 21/00; G06Q
20/3229; G06Q 20/34; G06Q 20/341;
G06Q 20/346; G06Q 20/349; G06Q
20/3563; G06Q 20/3567; G06Q 20/357;
G06Q 20/3576; H05K 5/026; H05K
5/0256; H05K 5/0265; H05K 5/0269;
H05K 5/0273; H05K 5/0278; H05K
5/0282; H05K 5/0286; H05K 5/0291;

H05K 5/0295; H05K 5/03; H05K 5/04;
H05K 5/06; H05K 5/061-069; H05K
7/00; H05K 7/005; H05K 7/02; H05K
7/023; H05K 7/026; H05K 7/04; H05K
7/10; H05K 7/1418; H05K 7/142; H05K
7/1405; H05K 7/1424; H05K
7/1427-1439; H05K 7/1461; H05K
7/1464-1474; H05K 7/1479; H05K
(Continued)

(56) **References Cited**

U.S. PATENT DOCUMENTS

3,396,461 A * 8/1968 Spooner H05K 3/3405
29/827

D261,644 S * 11/1981 McKinsey D14/435
(Continued)

Primary Examiner — Susan Moon Lee

(74) *Attorney, Agent, or Firm* — Li & Cai Intellectual
Property (USA) Office

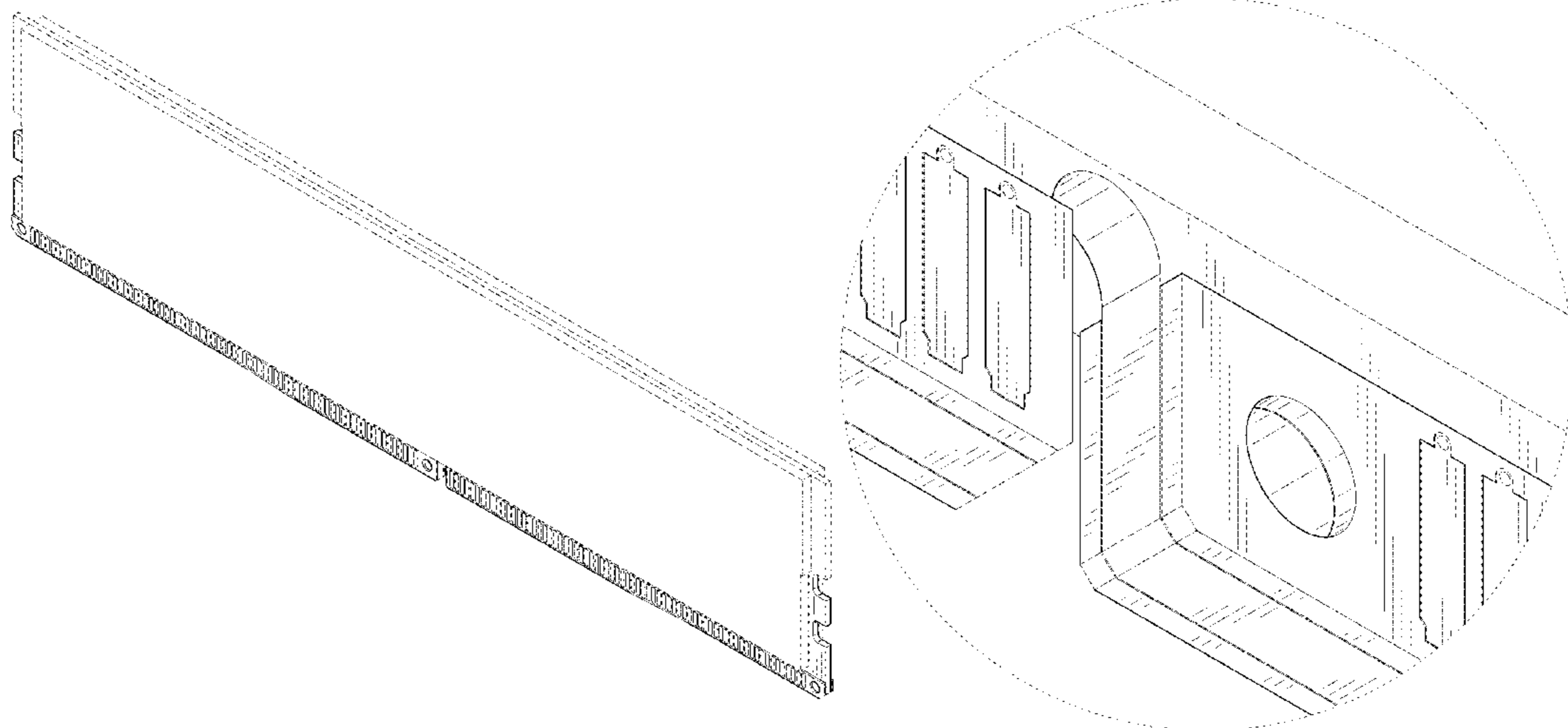
(57) **CLAIM**

The ornamental design for a double-data-rate SDRAM card,
as shown and described.

DESCRIPTION

FIG. 1 is a front perspective view of a double-data-rate
SDRAM card in accordance with my new design;
FIG. 2 is a front elevational view thereof;
FIG. 3 is a rear elevational view thereof;
FIG. 4 is a left side elevational view thereof;
FIG. 5 is a right side elevational view thereof;
FIG. 6 is a top plan view thereof;
FIG. 7 is a bottom plan view thereof;
FIG. 8 is a rear perspective view thereof; and
FIG. 9 is an enlarged view of IX part in FIG. 8; and,
FIG. 10 is an enlarged view of X part in FIG. 8.
The broken lines depict portions of the double-data-rate
SDRAM card in which the design is embodied that form no
part of the claimed design.

1 Claim, 8 Drawing Sheets



(58) **Field of Classification Search**

CPC 7/1481; H05K 7/1485-1488; H05K
 2201/09745; H05K 2201/09754; H05K
 2201/09763; H05K 2201/10106; H05K
 2201/10159; H05K 2201/09063; H05K
 2201/0108; H05K 2201/09145; H05K
 2201/09772; H05K 2201/098; H05K
 2201/09818; H05K 2201/10; H05K
 2201/10007; H05K 1/181; H05K 1/0274;
 H05K 1/117; H05K 1/09; H05K 3/06;
 H04N 2201/216; H01R 13/62933; H01R
 13/62905; H01R 13/6275; H01R 13/6395;
 H01R 13/62938; H01R 13/64; H01R
 13/645; H01R 13/6456; H01R 13/635;
 H01R 13/633; H01R 23/7005; H01R
 23/682; H01R 23/684; H01R 23/70;
 H01R 23/7068; H01R 23/7026; H01R
 31/065; H01R 27/02; H01R 2103/00;
 Y02P 70/611

See application file for complete search history.

(56) **References Cited**

U.S. PATENT DOCUMENTS

6,049,975 A * 4/2000 Clayton H01L 23/13
 257/668
 D432,096 S * 10/2000 Jeon D13/182
 6,304,456 B1 * 10/2001 Wortman G06F 1/181
 361/730
 6,347,039 B1 * 2/2002 Lee H05K 1/117
 174/250
 D520,015 S * 5/2006 Peddle D14/435
 7,221,569 B2 * 5/2007 Tsai H01L 23/4093
 257/719
 7,269,765 B1 * 9/2007 Charlton G11C 5/04
 365/201
 7,312,996 B2 * 12/2007 Chang H01L 23/3672
 165/185
 7,391,613 B2 * 6/2008 Lai H01L 23/3672
 165/104.26
 7,447,024 B1 * 11/2008 Chou H01L 23/467
 165/122
 7,547,213 B2 * 6/2009 Pax H05K 1/117
 174/250
 D597,966 S * 8/2009 Shih D13/179
 7,602,613 B2 * 10/2009 Goodwin G11C 5/04
 174/254
 7,661,974 B1 * 2/2010 Sun H05K 7/1431
 439/327
 D617,162 S * 6/2010 Tom D8/20
 7,738,252 B2 * 6/2010 Schuette G06F 1/206
 165/185
 7,768,785 B2 * 8/2010 Ni H01L 23/367
 257/707
 7,922,506 B1 * 4/2011 Harlan H01R 12/7005
 439/160
 8,023,304 B2 * 9/2011 Choi G06F 13/409
 361/789
 8,075,330 B1 * 12/2011 Deng H01R 12/7005
 439/328
 8,087,950 B1 * 1/2012 Deng H01R 13/6275
 439/328
 8,092,257 B2 * 1/2012 Hubert H05K 5/0282
 361/737
 8,140,942 B2 * 3/2012 Dell G11C 5/04
 714/764
 D663,293 S * 7/2012 MacManus D14/140.1
 8,337,230 B1 * 12/2012 Kurachi H01R 12/79
 439/328
 D673,921 S * 1/2013 Ozawa D13/182
 8,399,301 B2 * 3/2013 Park H05K 1/0246
 257/E23.008

8,411,443 B2 * 4/2013 Chen G06F 1/20
 165/185
 D689,829 S * 9/2013 Chen D13/179
 8,550,836 B2 * 10/2013 Ma G06F 1/185
 439/328
 8,576,569 B2 * 11/2013 Malek H05K 3/32
 361/730
 D698,792 S * 2/2014 Lin D14/435
 D702,689 S * 4/2014 Lin D14/435
 D702,690 S * 4/2014 Lin D14/435
 8,753,138 B2 * 6/2014 Foster, Sr. H01R 12/7029
 439/160
 D717,251 S * 11/2014 Mueller D13/179
 D717,744 S * 11/2014 Mueller D13/179
 8,951,048 B2 * 2/2015 Seok H05K 1/117
 439/59
 8,968,019 B2 * 3/2015 Hack H05K 7/1408
 439/326
 D733,145 S * 6/2015 Chen D14/435
 D735,201 S * 7/2015 Lin D14/435
 D761,744 S * 7/2016 Mueller D13/179
 D793,400 S * 8/2017 Lin D13/179
 10,098,230 B2 * 10/2018 Hung H05K 1/181
 D842,304 S * 3/2019 Depay D14/435
 10,285,273 B1 * 5/2019 Hung H05K 1/0274
 D863,311 S * 10/2019 Depay D14/435
 10,433,430 B2 * 10/2019 Chen H05K 1/117
 D868,069 S * 11/2019 Hung D14/435
 10,492,298 B1 * 11/2019 Chen H01R 12/721
 10,506,721 B2 * 12/2019 Chen H05K 3/34
 10,522,926 B2 * 12/2019 Chen H01R 13/40
 2001/0001085 A1 * 5/2001 Hassanzadeh H01R 12/7005
 439/633
 2001/0024389 A1 * 9/2001 Funaba G11C 5/04
 365/200
 2002/0022405 A1 * 2/2002 Jung G11C 5/04
 439/625
 2003/0026076 A1 * 2/2003 Wei H01L 23/4093
 361/704
 2006/0049512 A1 * 3/2006 Goodwin H01L 25/0652
 257/707
 2006/0067054 A1 * 3/2006 Wang H01L 23/42
 361/704
 2006/0090102 A1 * 4/2006 Wehrly, Jr. H05K 1/189
 714/42
 2007/0053170 A1 * 3/2007 Yu H05K 7/1409
 361/737
 2007/0070607 A1 * 3/2007 Goodwin H01L 23/367
 361/719
 2007/0128891 A1 * 6/2007 Ling H05K 1/117
 439/55
 2007/0159789 A1 * 7/2007 Schuette G06F 1/206
 361/679.31
 2007/0212920 A1 * 9/2007 Clayton H01R 12/721
 439/326
 2007/0238323 A1 * 10/2007 Mathews H01R 13/6275
 439/65
 2008/0013290 A1 * 1/2008 Creasy H05K 7/1418
 361/737
 2008/0157389 A1 * 7/2008 Park H05K 1/111
 257/773
 2008/0176432 A1 * 7/2008 Scherer H01R 12/7005
 439/159
 2008/0179731 A1 * 7/2008 Fan H05K 1/0271
 257/690
 2008/0186685 A1 * 8/2008 Cho H05K 1/0207
 361/737
 2008/0220642 A1 * 9/2008 Guan H01R 12/721
 439/325
 2008/0261433 A1 * 10/2008 Pipho H05K 3/366
 439/326
 2009/0017666 A1 * 1/2009 Lim H01R 12/7005
 439/328
 2009/0023308 A1 * 1/2009 Guan H01R 12/7005
 439/62
 2009/0026599 A1 * 1/2009 Fan H05K 1/0271
 257/685

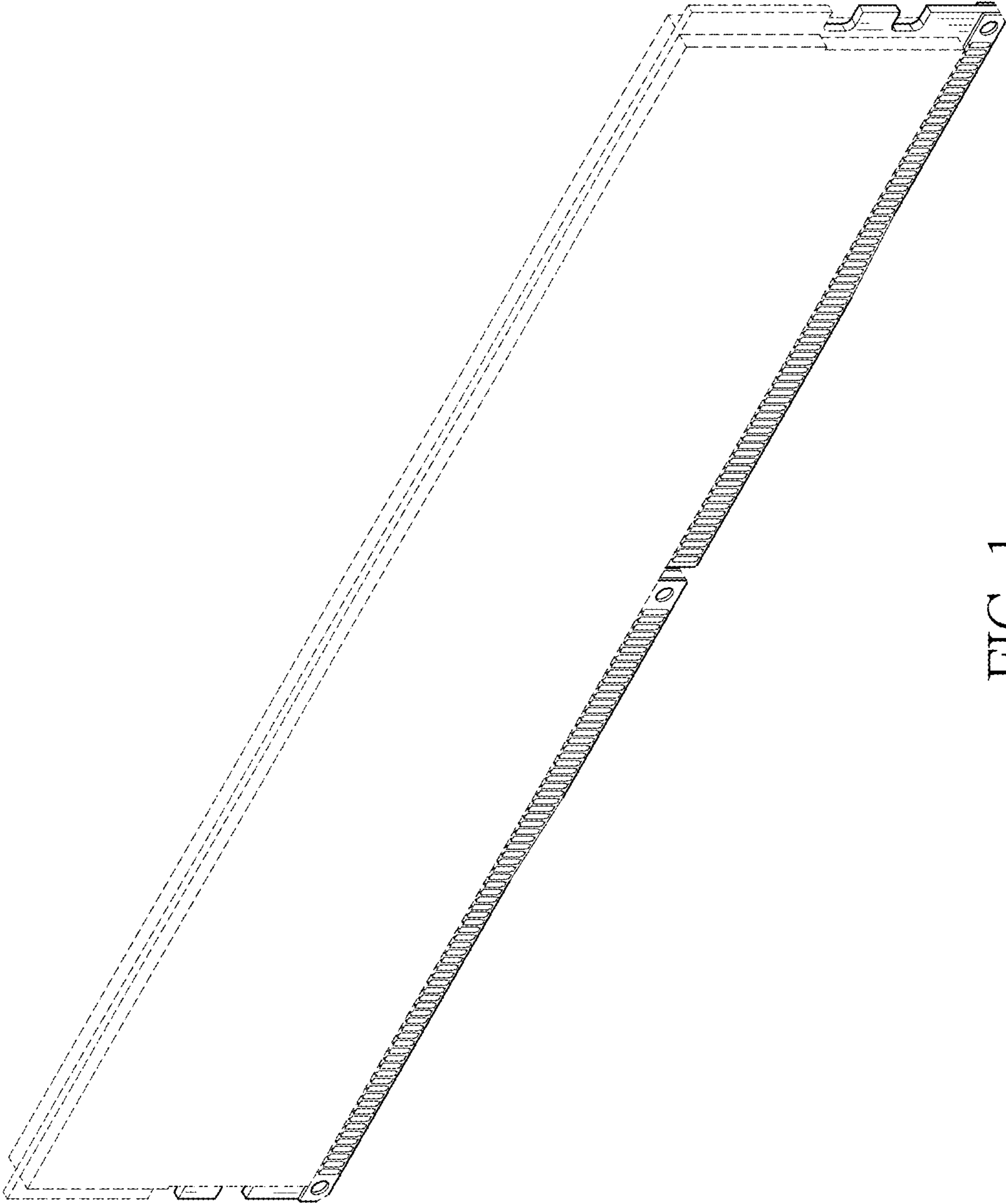


FIG. 1

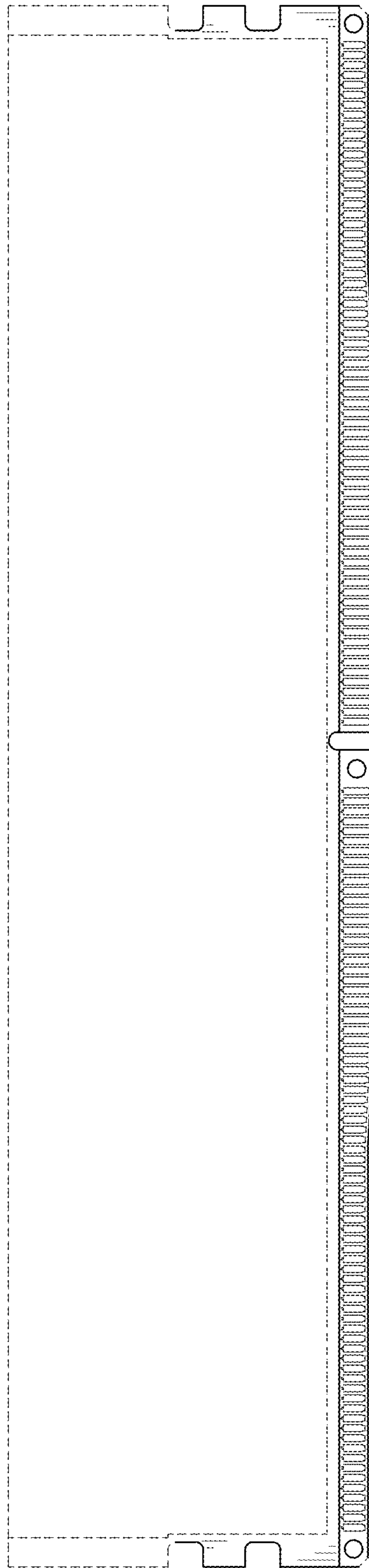


FIG. 2

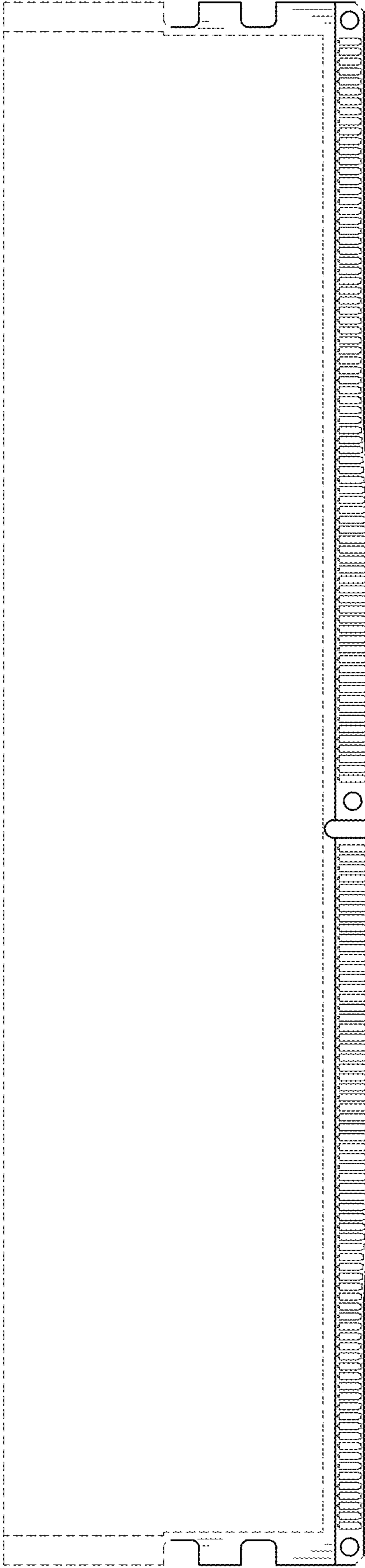


FIG. 3

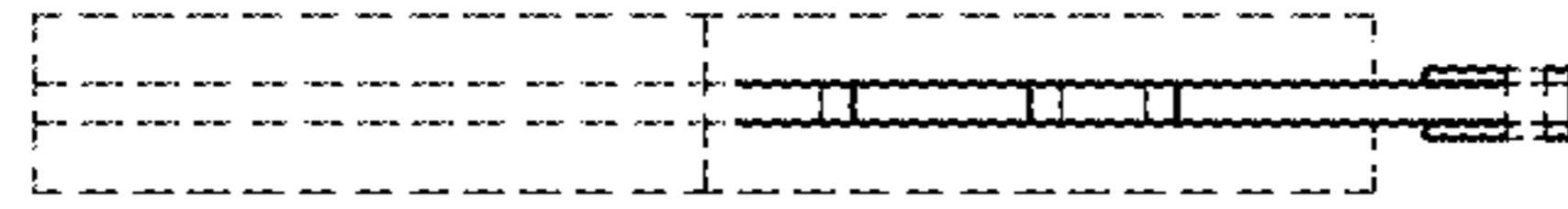


FIG. 5

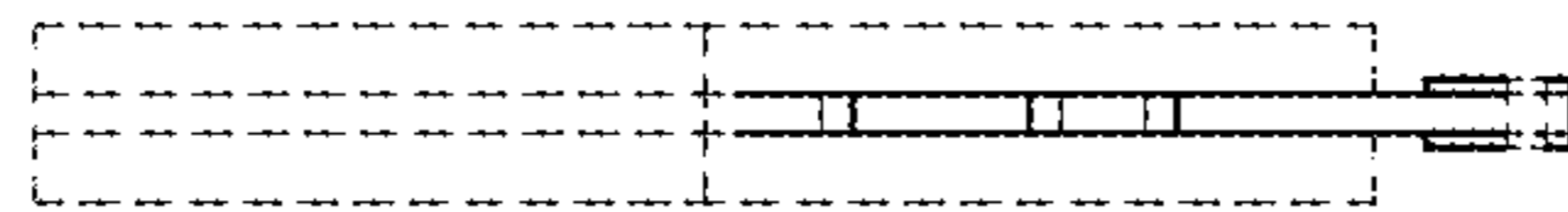


FIG. 4

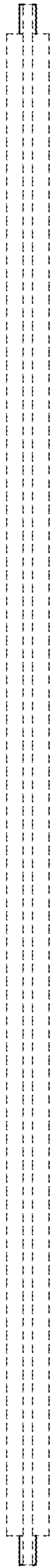


FIG. 6

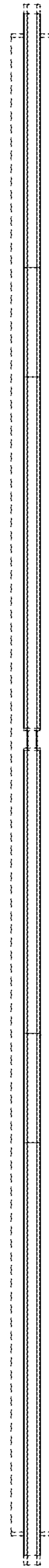


FIG. 7

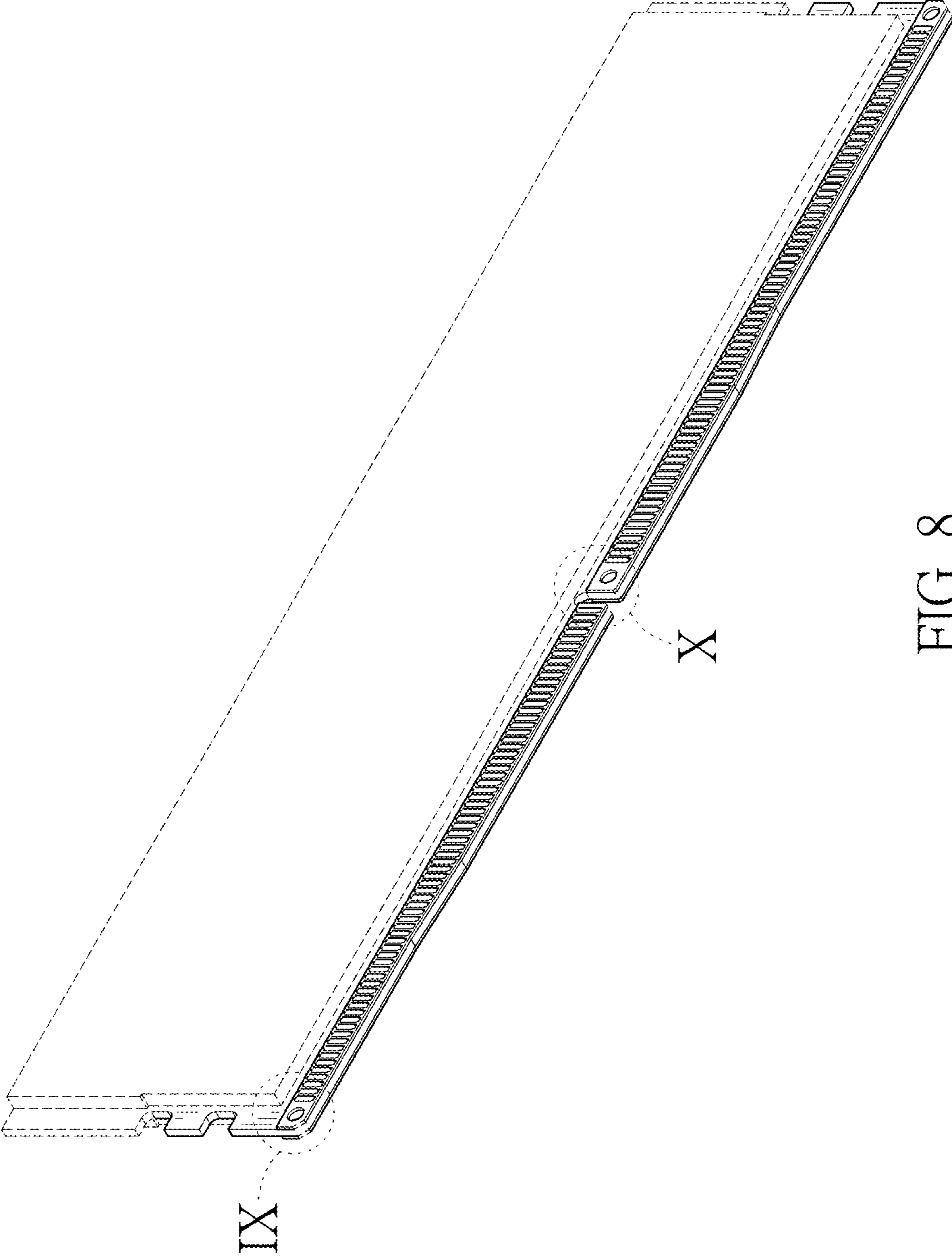


FIG. 8

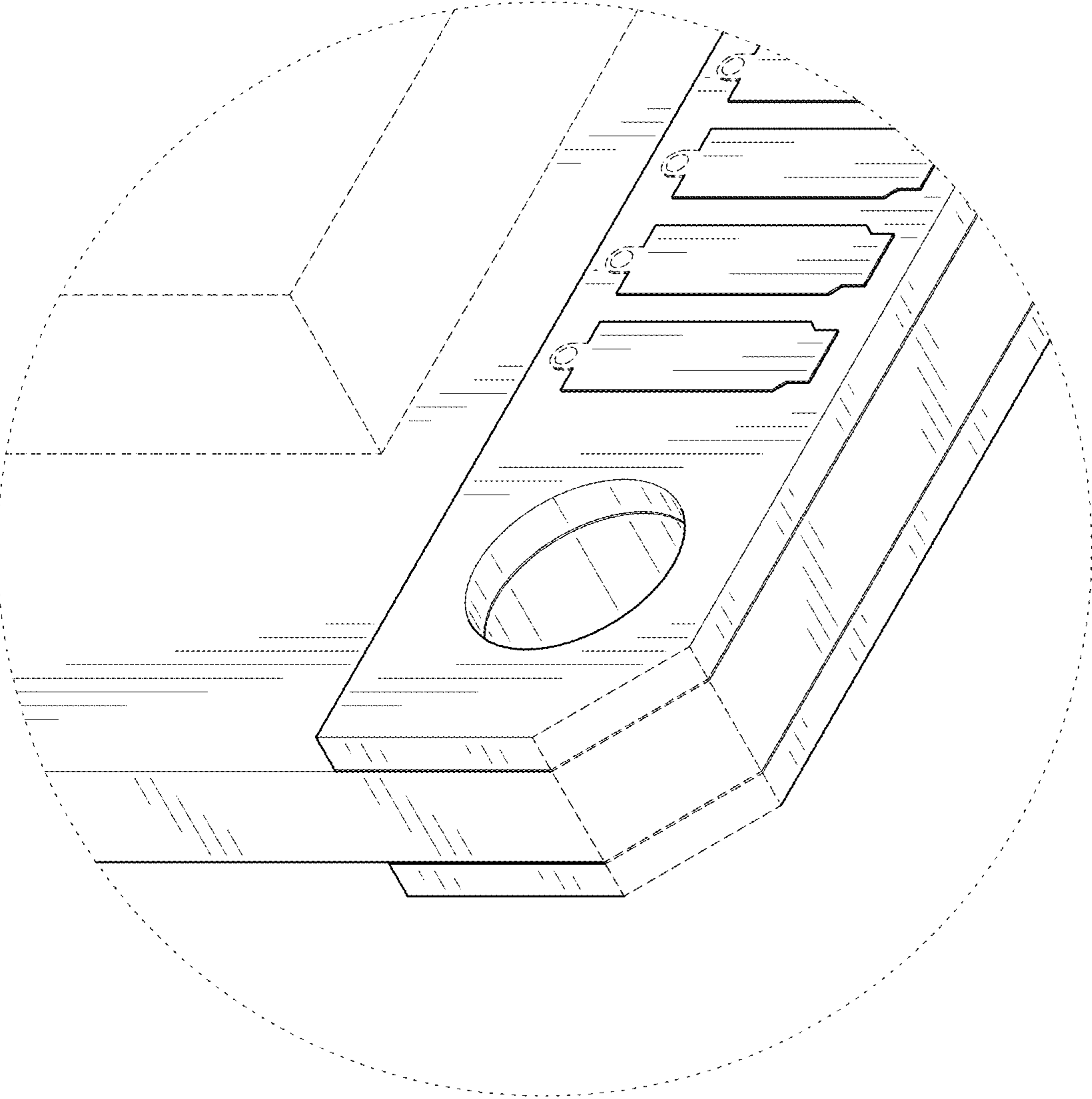


FIG. 9

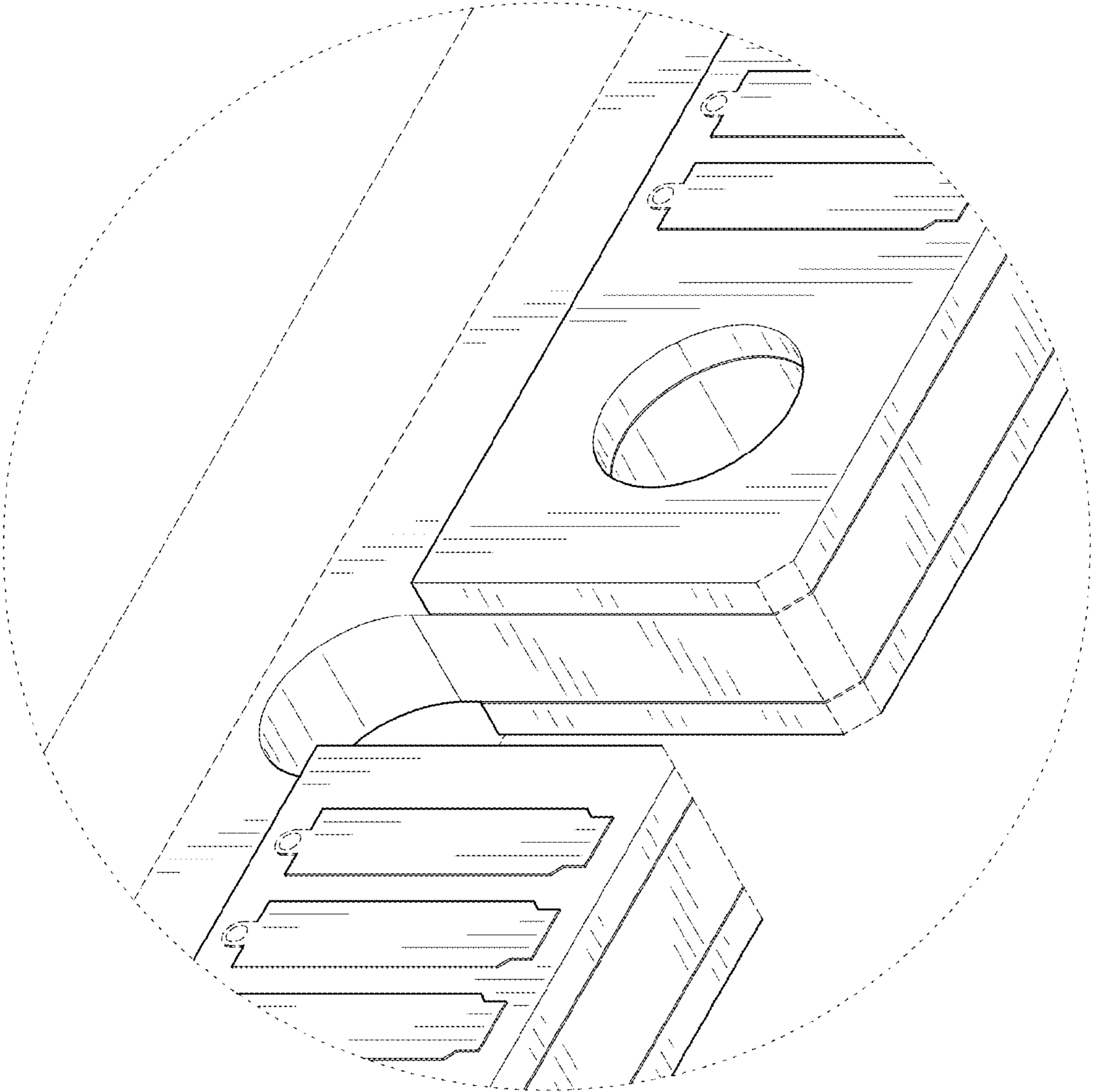


FIG. 10