



US00D897342S

(12) **United States Design Patent**  
**Li**

(10) **Patent No.:** **US D897,342 S**

(45) **Date of Patent:** **\*\* Sep. 29, 2020**

(54) **ARM STRAP FOR MOBILE COMPUTER**

(71) Applicant: **GETAC TECHNOLOGY CORPORATION**, Hsinchu County (TW)

(72) Inventor: **Chun-Hsing Li**, Taipei (TW)

(73) Assignee: **GETAC TECHNOLOGY CORPORATION**, Hsinchu County (TW)

(\*\*) Term: **15 Years**

(21) Appl. No.: **29/655,501**

(22) Filed: **Jul. 3, 2018**

(30) **Foreign Application Priority Data**

Jan. 19, 2018 (CN) ..... 2018 3 0025055

(51) **LOC (12) Cl.** ..... **14-02**

(52) **U.S. Cl.**  
USPC ..... **D14/432**

(58) **Field of Classification Search**  
USPC ..... D14/372, 496, 432, 371, 125, 126, 129, D14/299, 447; D16/300-342; 351/158, 351/153, 144; 345/7-9, 905; 224/218, 224/222; 368/204, 223  
CPC ..... G02B 27/017; G02B 27/0158; G02B 27/0161; G02B 27/0181; G02B 27/0185; G02B 27/0189

See application file for complete search history.

(56) **References Cited**

**U.S. PATENT DOCUMENTS**

4,266,706 A \* 5/1981 Gould ..... A45F 5/00  
224/673  
D673,162 S \* 12/2012 Young ..... D14/447

D687,442 S \* 8/2013 Nishimura ..... D14/447  
D709,512 S \* 7/2014 Wardlaw ..... D14/447  
D717,804 S \* 11/2014 Budge ..... D14/447  
D743,409 S \* 11/2015 Chen ..... D14/447  
D756,368 S \* 5/2016 Coleman ..... D14/447  
9,926,953 B2 \* 3/2018 Russell-Clarke ..... A45F 5/00  
10,201,221 B1 \* 2/2019 Chang ..... A45F 5/10  
D865,366 S \* 11/2019 Zhong ..... D3/327  
D868,475 S \* 12/2019 Zhong ..... D3/327  
D879,100 S \* 3/2020 Li ..... D14/432  
D879,101 S \* 3/2020 Li ..... D14/432

\* cited by examiner

*Primary Examiner* — Austin Murphy

(57) **CLAIM**

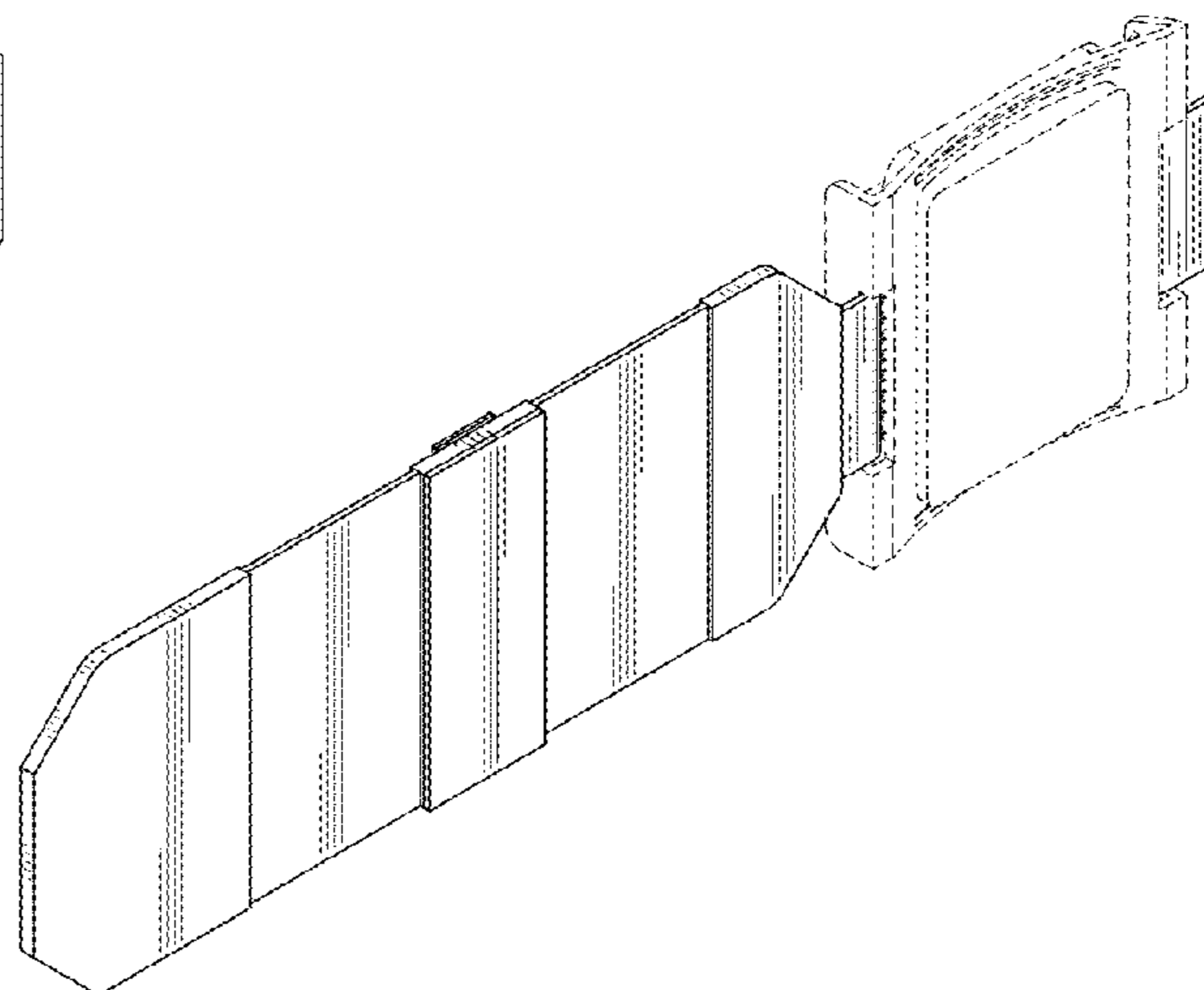
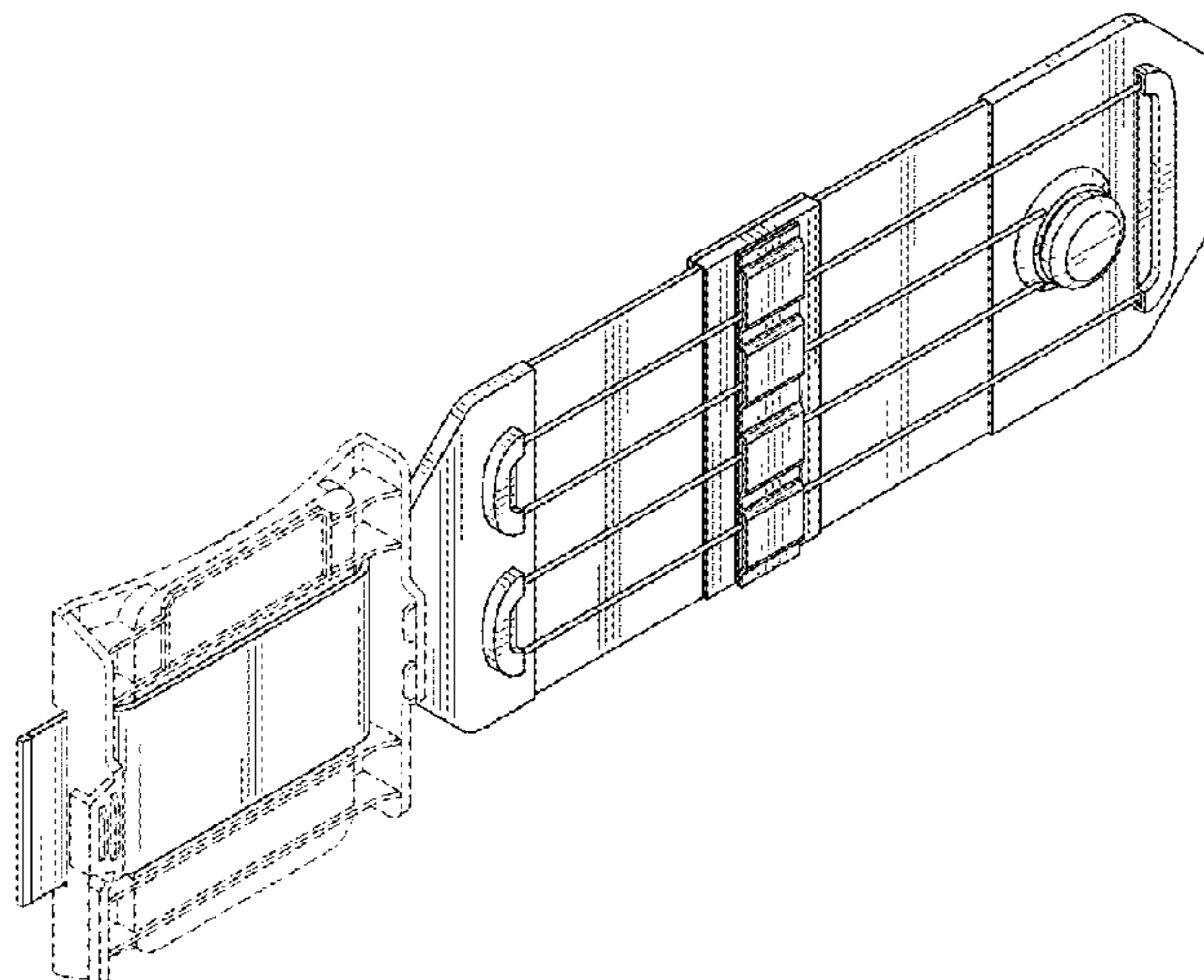
The ornamental design for an arm strap for mobile computer, as shown and described.

**DESCRIPTION**

FIG. 1 is a top front right perspective view of an arm strap for mobile computer showing my new design; FIG. 2 is a top front left perspective view thereof; FIG. 3 is a top rear right perspective view thereof; FIG. 4 is a front view thereof; FIG. 5 is a rear view thereof; FIG. 6 is a left side view thereof; FIG. 7 is a right side view thereof; FIG. 8 is a top view thereof; FIG. 9 is a bottom view thereof; and, FIG. 10 is a top rear right perspective view thereof in the stitched state.

The broken lines represent portions of the article which form no part of the claimed design.

**1 Claim, 10 Drawing Sheets**



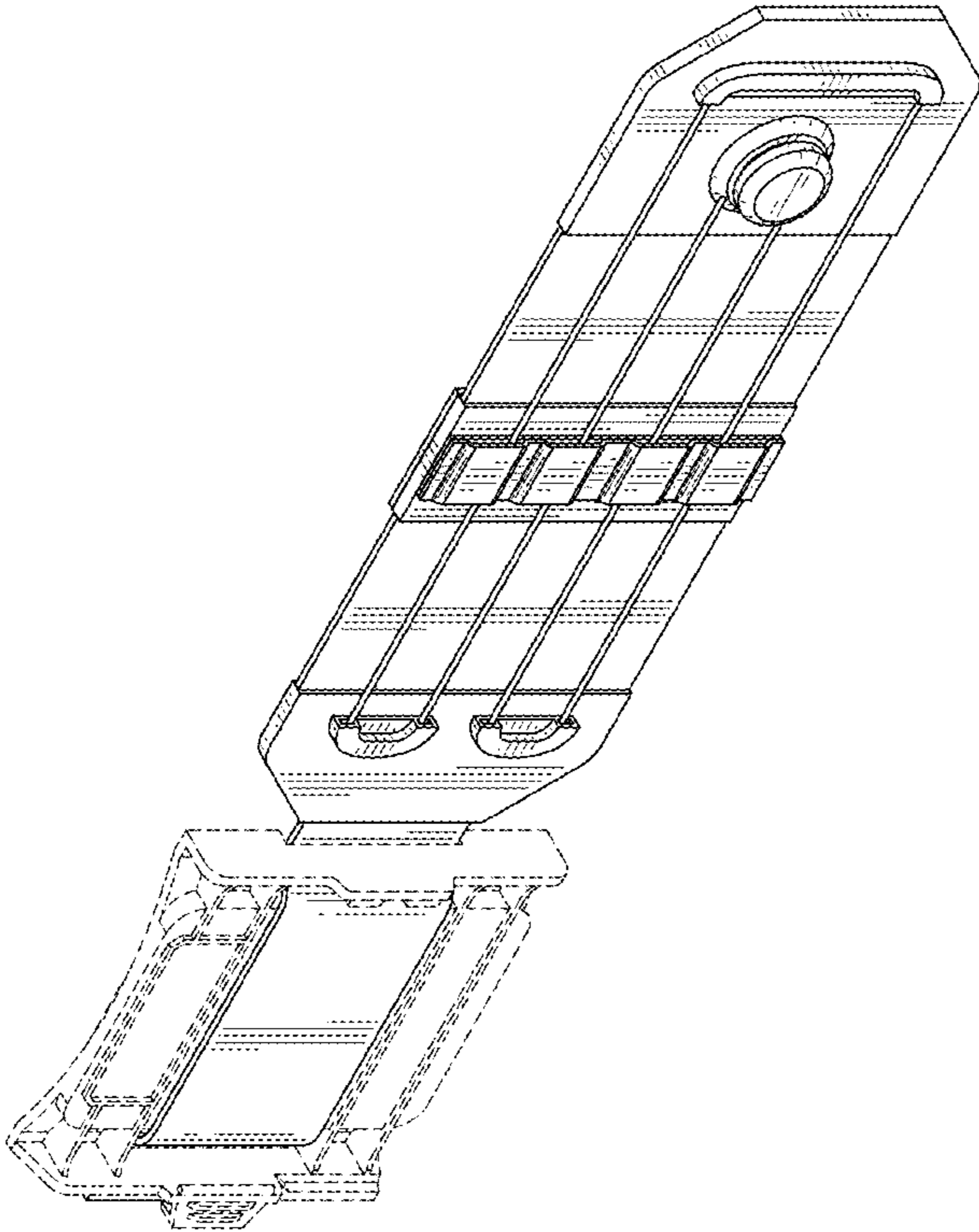


FIG. 1

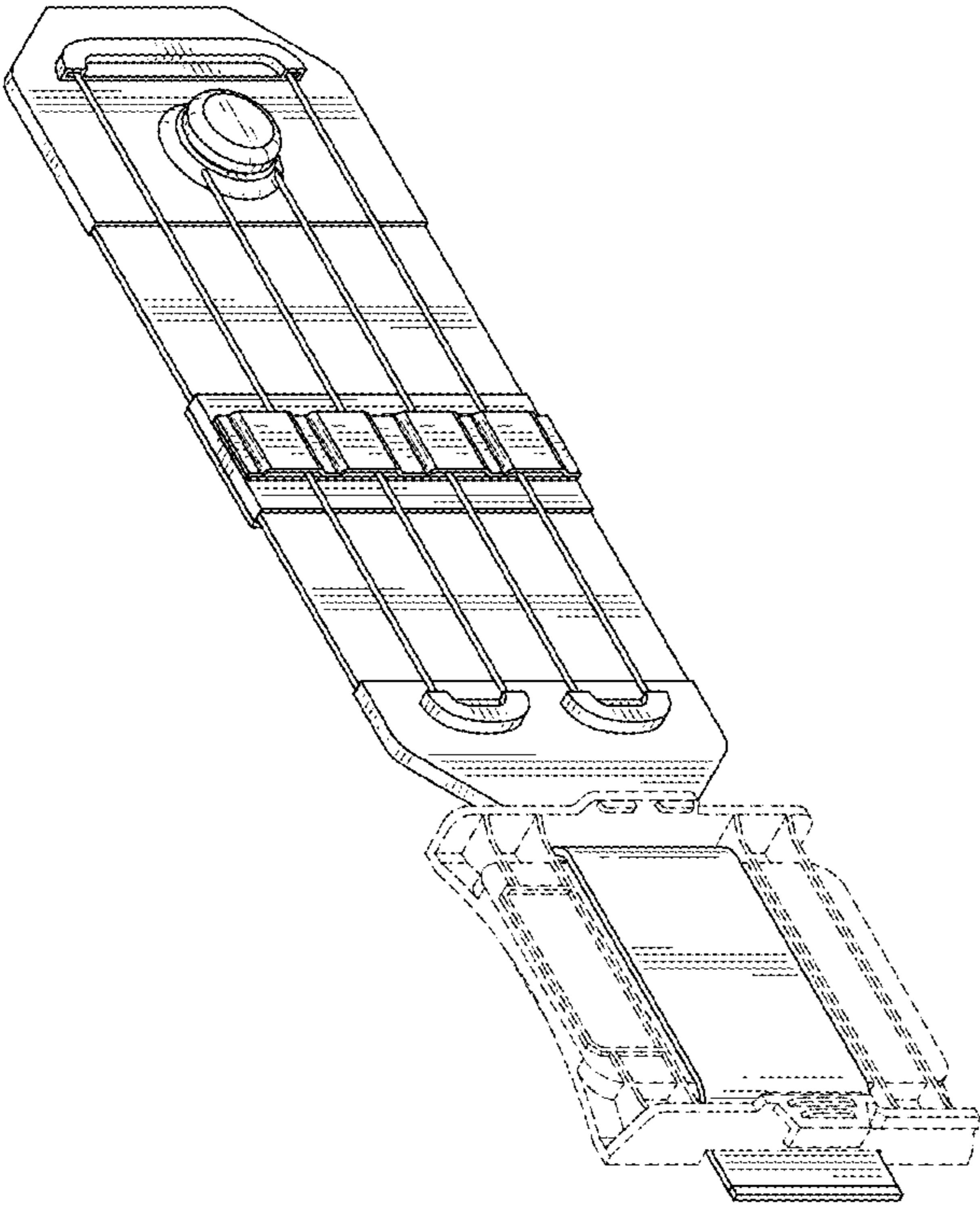


FIG. 2

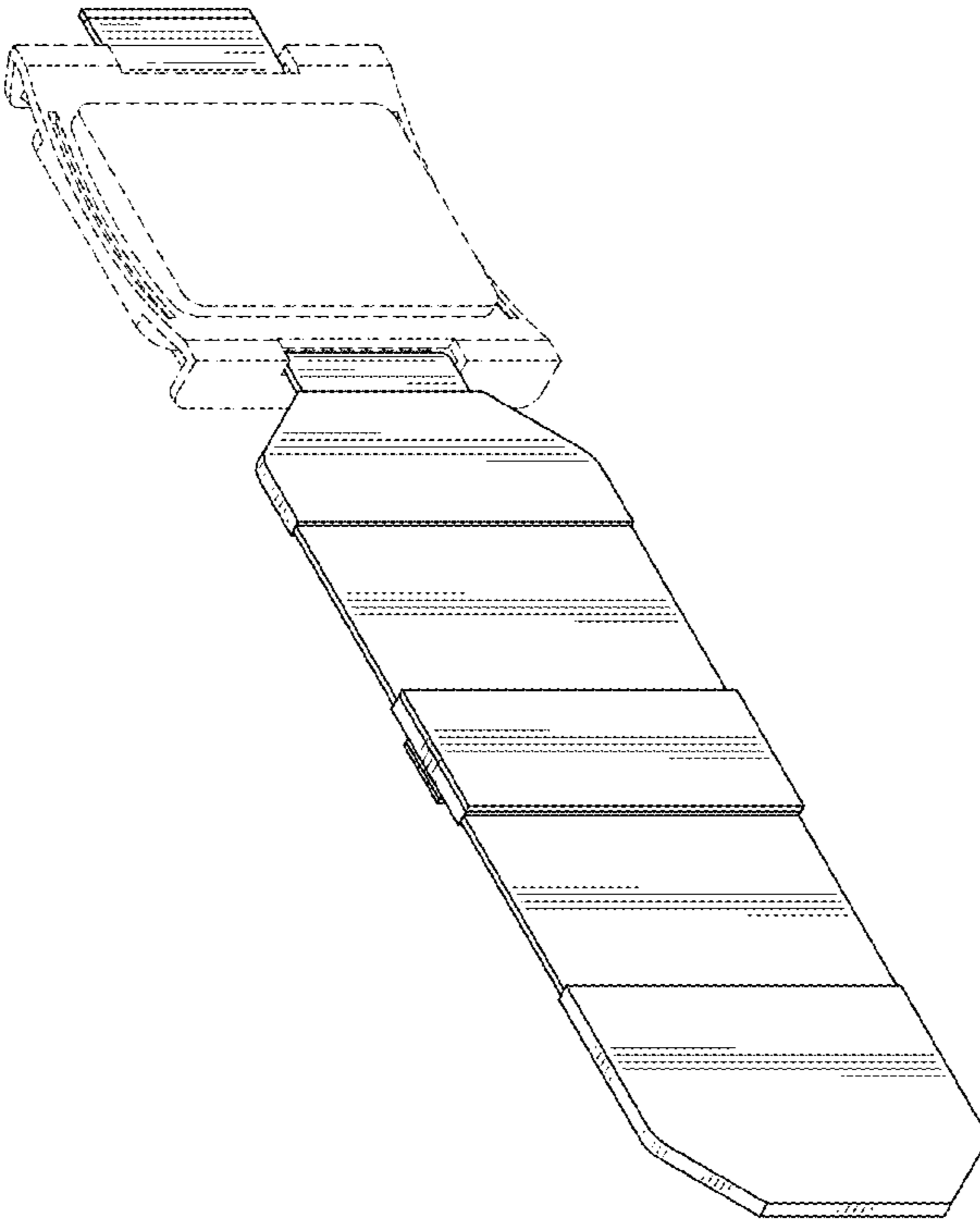


FIG. 3

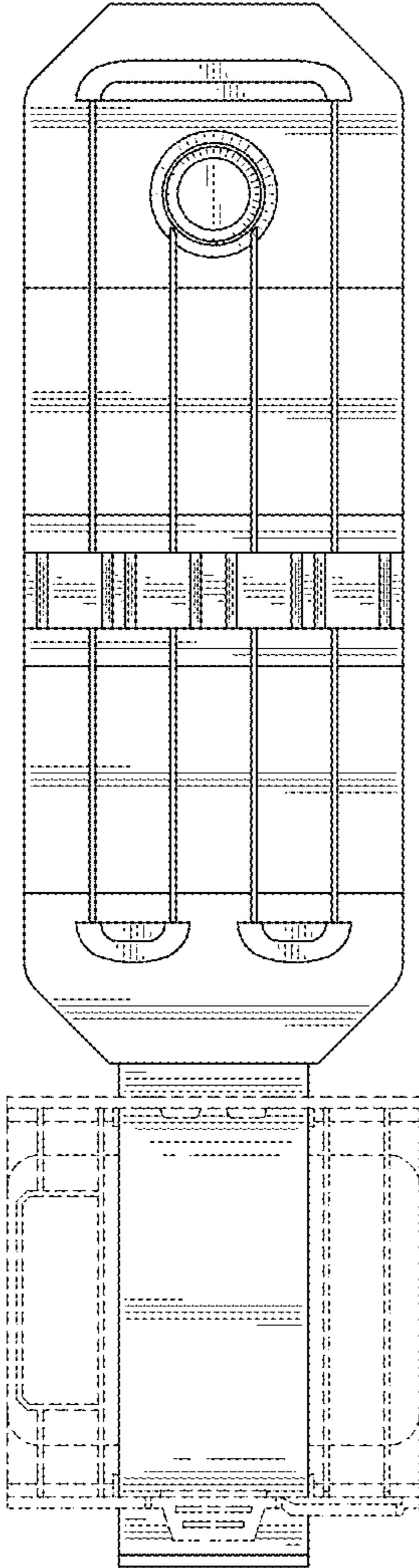


FIG. 4

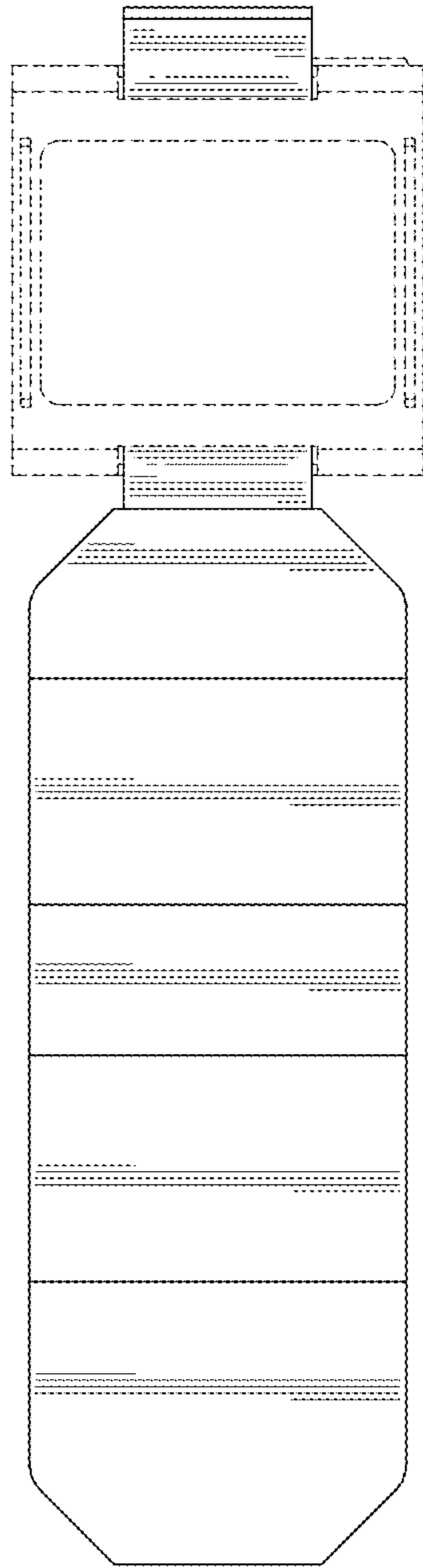


FIG. 5

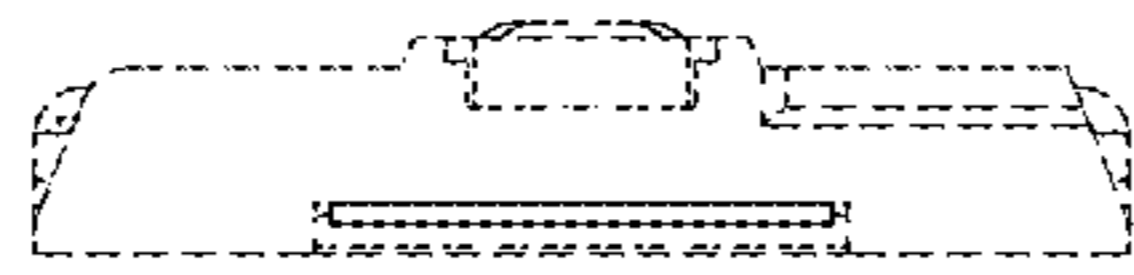


FIG. 6

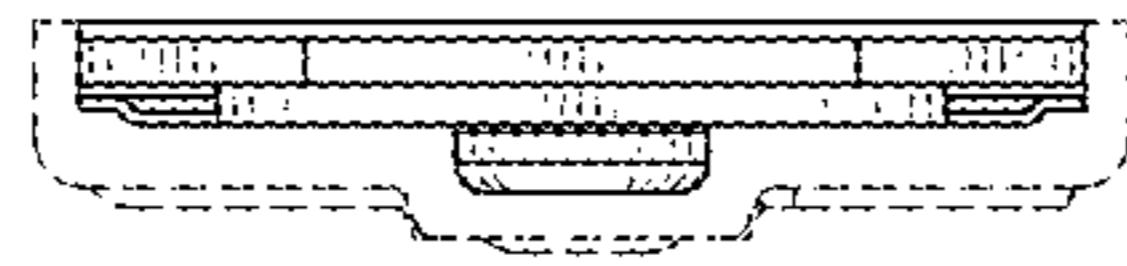


FIG. 7



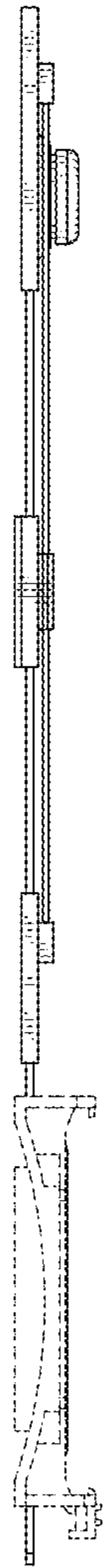


FIG. 8

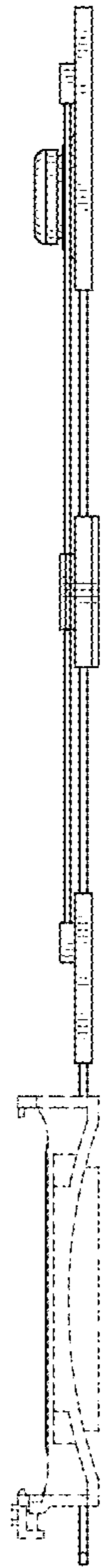


FIG. 9

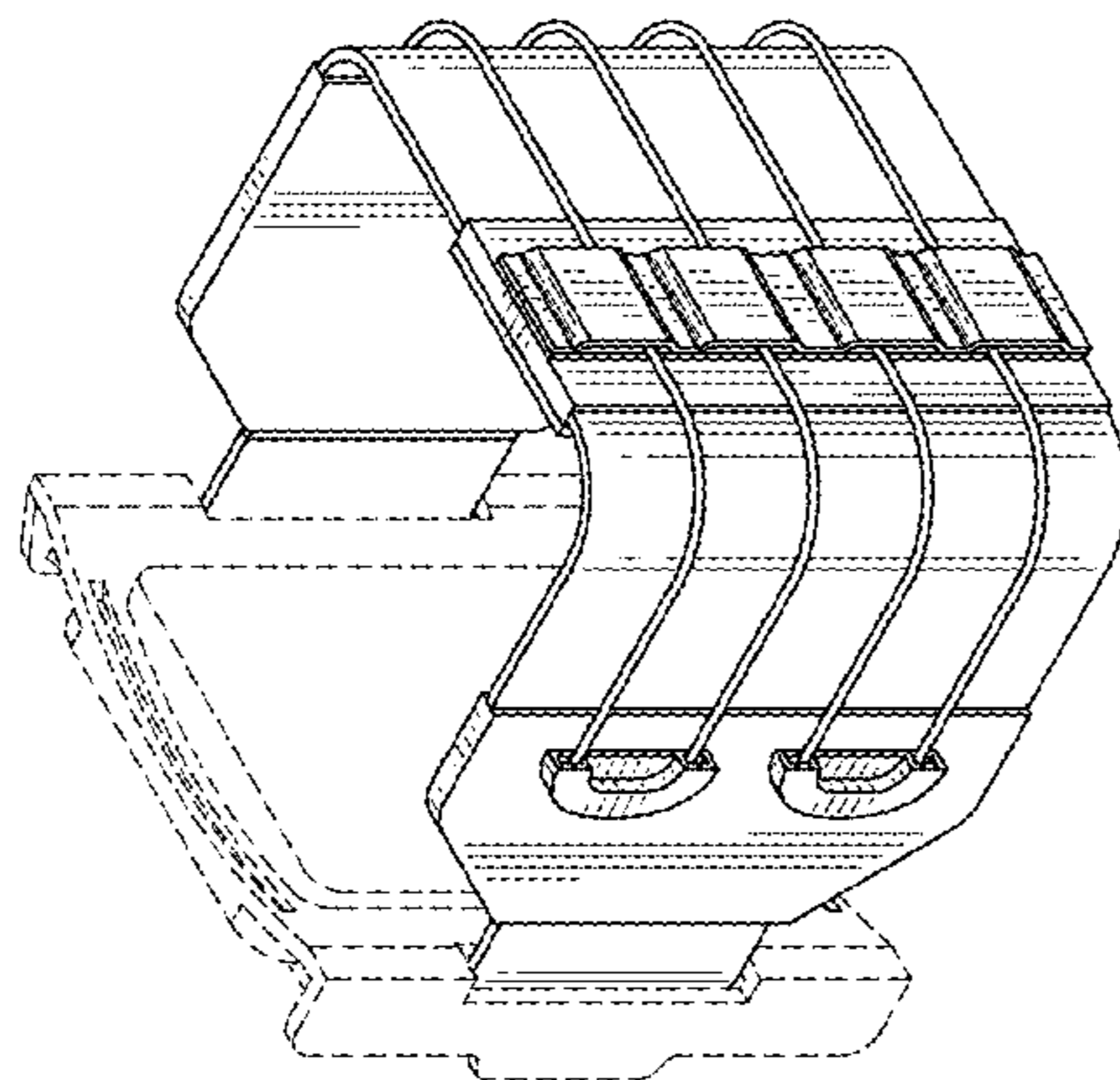


FIG. 10