



US00D897341S

(12) **United States Design Patent** (10) **Patent No.:** **US D897,341 S**  
**Kamiyama et al.** (45) **Date of Patent:** **\*\* Sep. 29, 2020**

(54) **CARTRIDGE FOR AN ELECTRONIC PEN**

FOREIGN PATENT DOCUMENTS

(71) Applicant: **Wacom Co., Ltd.**, Kazo-shi, Saitama (JP)

JP D1134723 S 2/2002  
JP D1383822 S 3/2010

(72) Inventors: **Ryoji Kamiyama**, Toyko (JP);  
**Toshihiko Horie**, Toyko (JP);  
**Masamitsu Ito**, Toyko (JP); **Shigeru Yamashita**, Toyko (JP)

*Primary Examiner* — Austin Murphy  
(74) *Attorney, Agent, or Firm* — Christensen O'Connor Johnson Kindness PLLC

(73) Assignee: **Wacom Co., Ltd.**, Kazo-shi (JP)

(57) **CLAIM**

(\*\*) Term: **15 Years**

The ornamental design for a cartridge for an electronic pen, as shown and described.

(21) Appl. No.: **29/668,051**

(22) Filed: **Oct. 26, 2018**

**DESCRIPTION**

(30) **Foreign Application Priority Data**

Apr. 27, 2018 (JP) ..... 2018-009519

(51) **LOC (12) Cl.** ..... **14-02**

(52) **U.S. Cl.**  
USPC ..... **D14/411**

(58) **Field of Classification Search**  
USPC ..... D14/372, 496, 432, 371, 125, 126, 129,  
D14/299, 411; D16/300-342; 351/158,  
351/153, 144; 345/7-9, 905; 455/344;  
348/115, 53, 121, 739  
CPC ..... G02B 27/017; G06F 3/016; G06F 3/033;  
G06F 3/0317; G06F 3/03545; G06F  
3/041; G06K 9/222  
See application file for complete search history.

FIG. 1 is a top-front-right perspective view of a cartridge for an electronic pen according to our new design; FIG. 2 is a bottom-front-left perspective view thereof; FIG. 3 is a right side elevational view thereof; FIG. 4 is a left side elevational view thereof; FIG. 5 is a front elevational view thereof; FIG. 6 is a rear elevational view thereof; FIG. 7 is a top plan view thereof; FIG. 8 is a bottom plan view thereof; FIG. 9 is an enlarged front elevational view thereof; FIG. 10 is an enlarged rear elevational view thereof; FIG. 11 is an enlarged partial top-front-right perspective view thereof having a boundary as shown in FIG. 1; and, FIG. 12 is an enlarged partial bottom plan view thereof having a boundary as shown in FIG. 8.

The dot-dot-dash broken lines indicate the boundary of the enlarged portions of the drawings. The remaining broken lines in the figures depict portions of the cartridge for an electronic pen that form no part of the claimed design. While the solid lines in the drawings form part of the claimed design, the solid lines also provide written description of prospective embodiments with aspects that are not claimed when one or more of the solid lines are amended to broken lines.

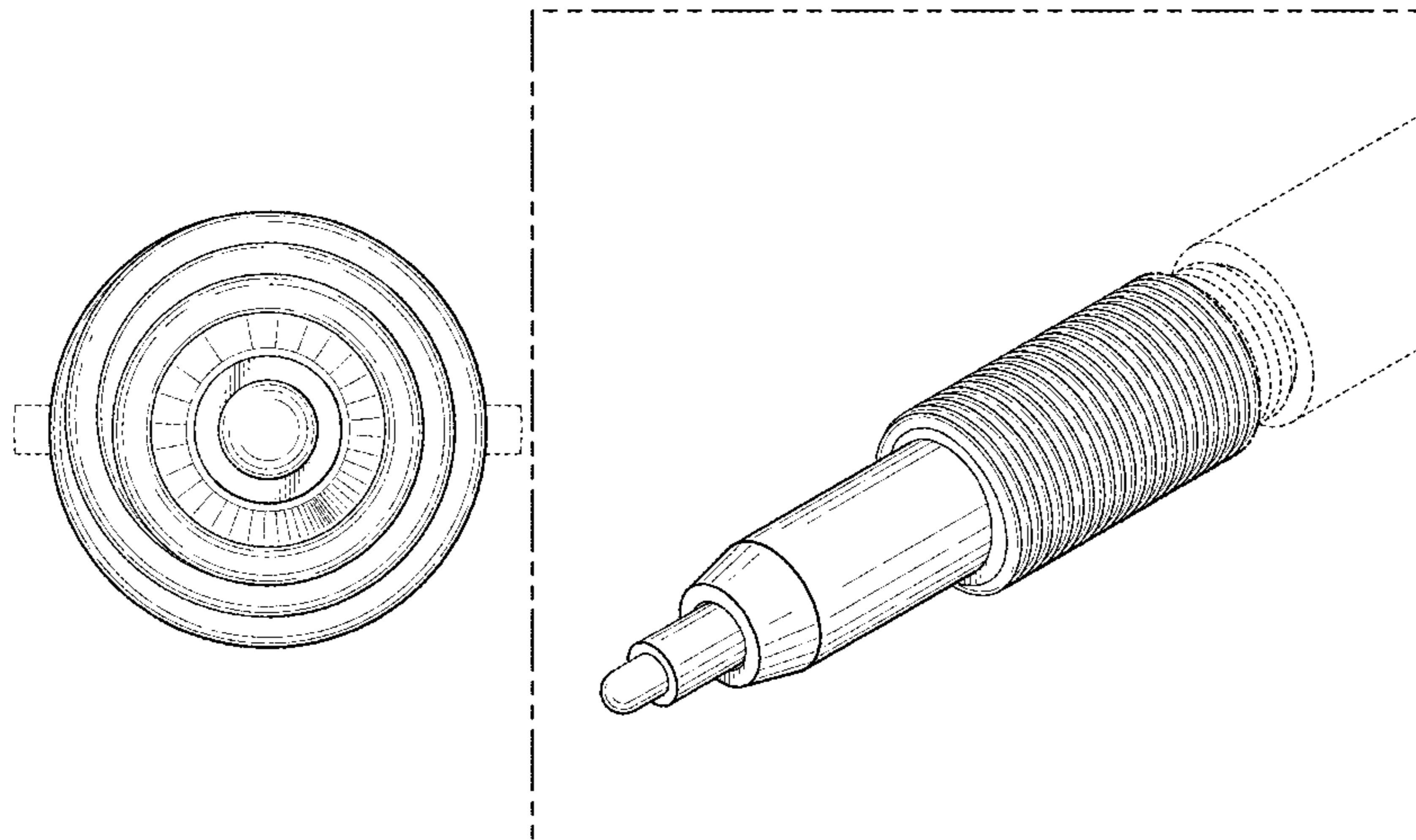
(56) **References Cited**

U.S. PATENT DOCUMENTS

D444,171 S 6/2001 McCullough  
D450,767 S 11/2001 Itoh et al.  
D744,486 S \* 12/2015 Arai ..... D14/411  
D763,260 S \* 8/2016 Wade ..... D14/411  
D783,022 S \* 4/2017 Sirota ..... D14/411  
D811,401 S \* 2/2018 Lehman ..... D14/411  
D812,058 S \* 3/2018 Lehman ..... D14/411

(Continued)

**1 Claim, 6 Drawing Sheets**



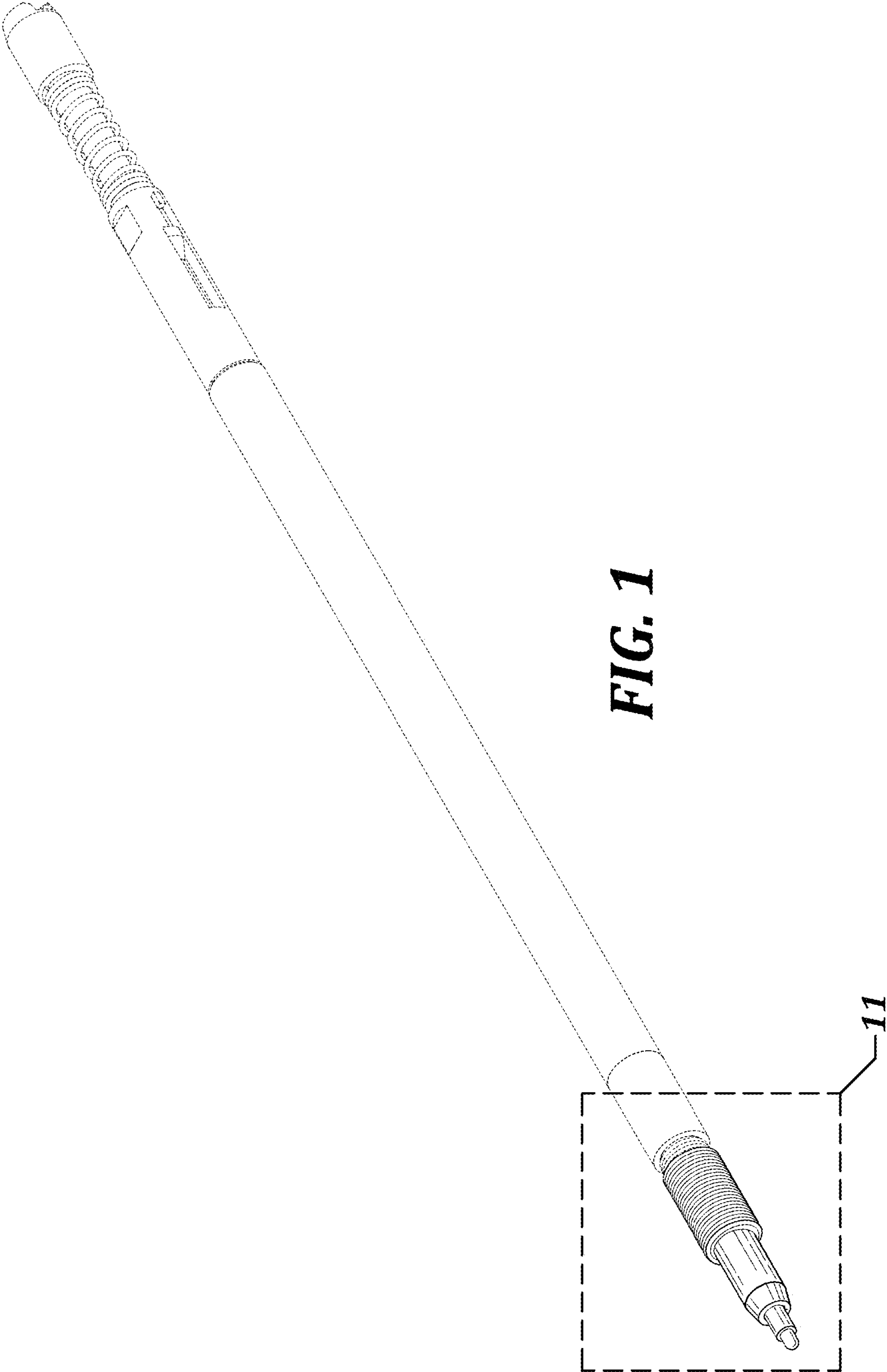
(56)

**References Cited**

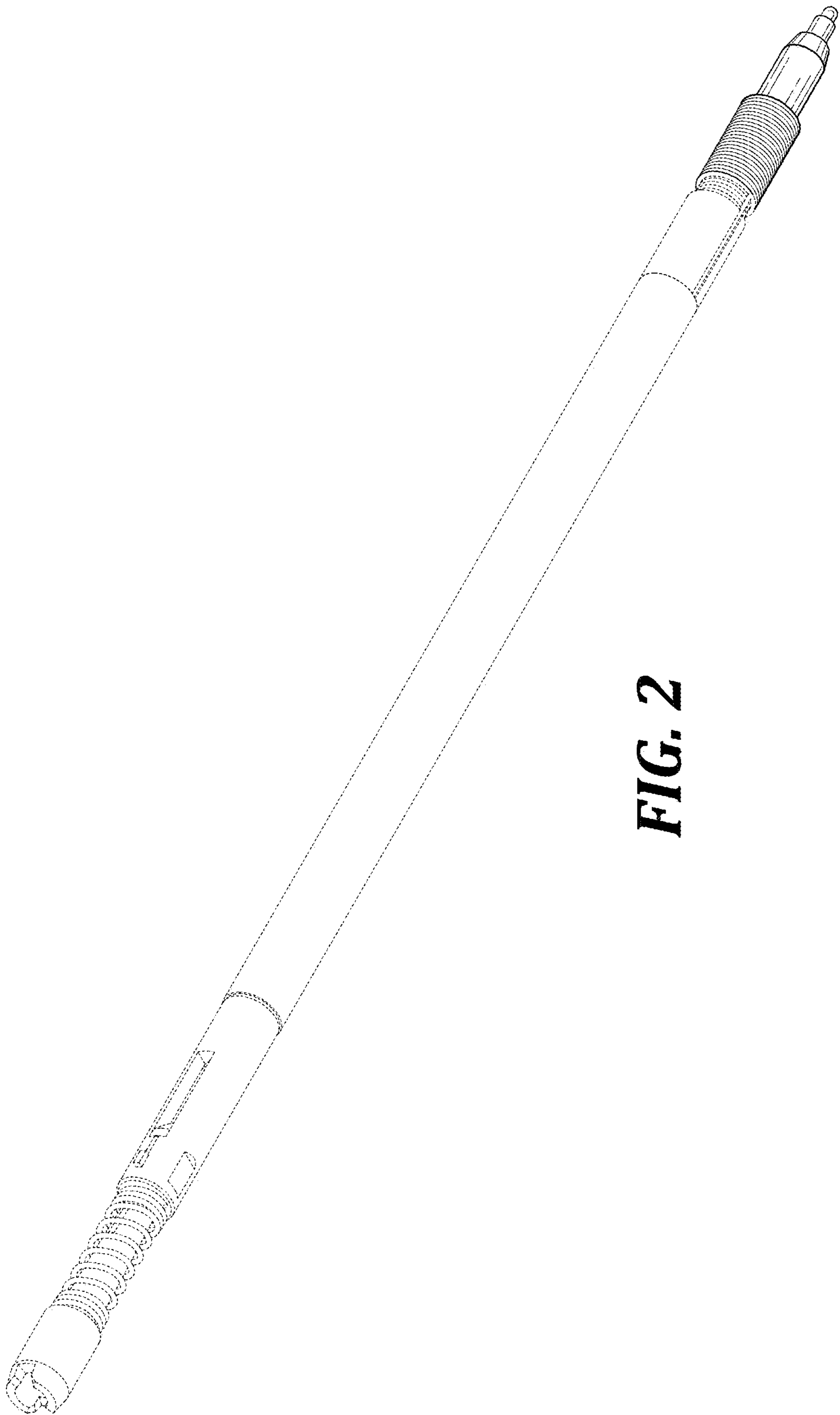
U.S. PATENT DOCUMENTS

D812,059 S *	3/2018	Lehman .....	D14/411
D826,940 S *	8/2018	Nishizawa .....	D14/411
D845,301 S *	4/2019	Chu .....	D14/411
D851,087 S *	6/2019	Nishizawa .....	D14/411
D861,689 S *	10/2019	Nishizawa .....	D14/411
D862,726 S *	10/2019	Mehregany .....	D24/224
D873,827 S *	1/2020	Lu .....	D14/411

\* cited by examiner



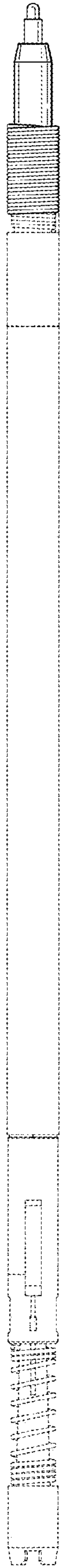
**FIG. 1**



**FIG. 2**



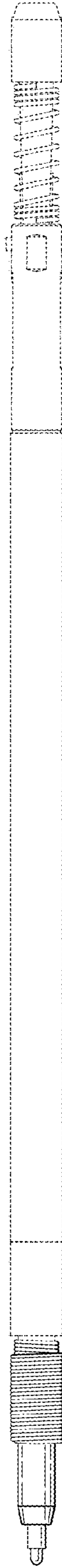
**FIG. 3**



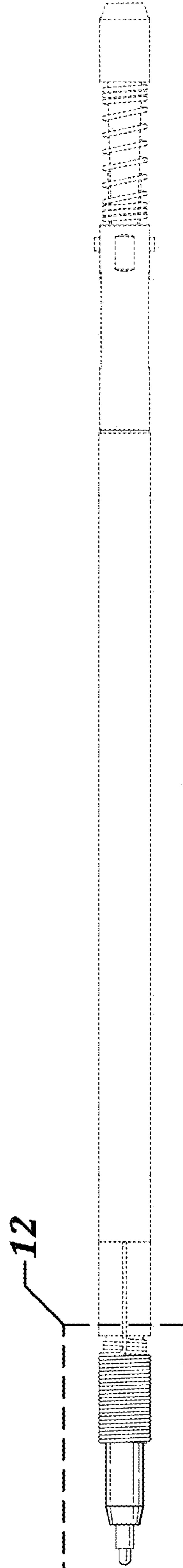
**FIG. 4**



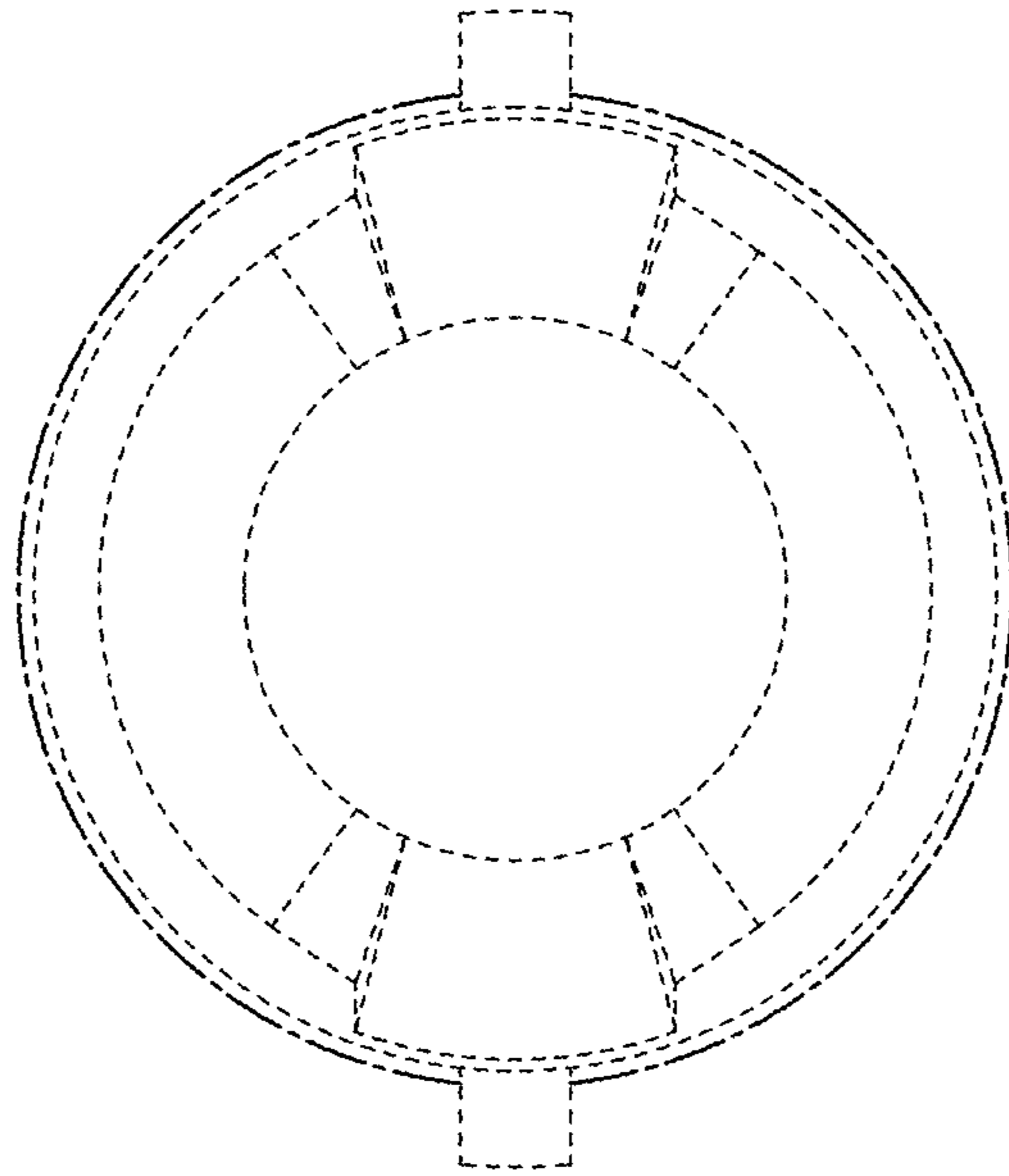
**FIG. 5**      **FIG. 6**



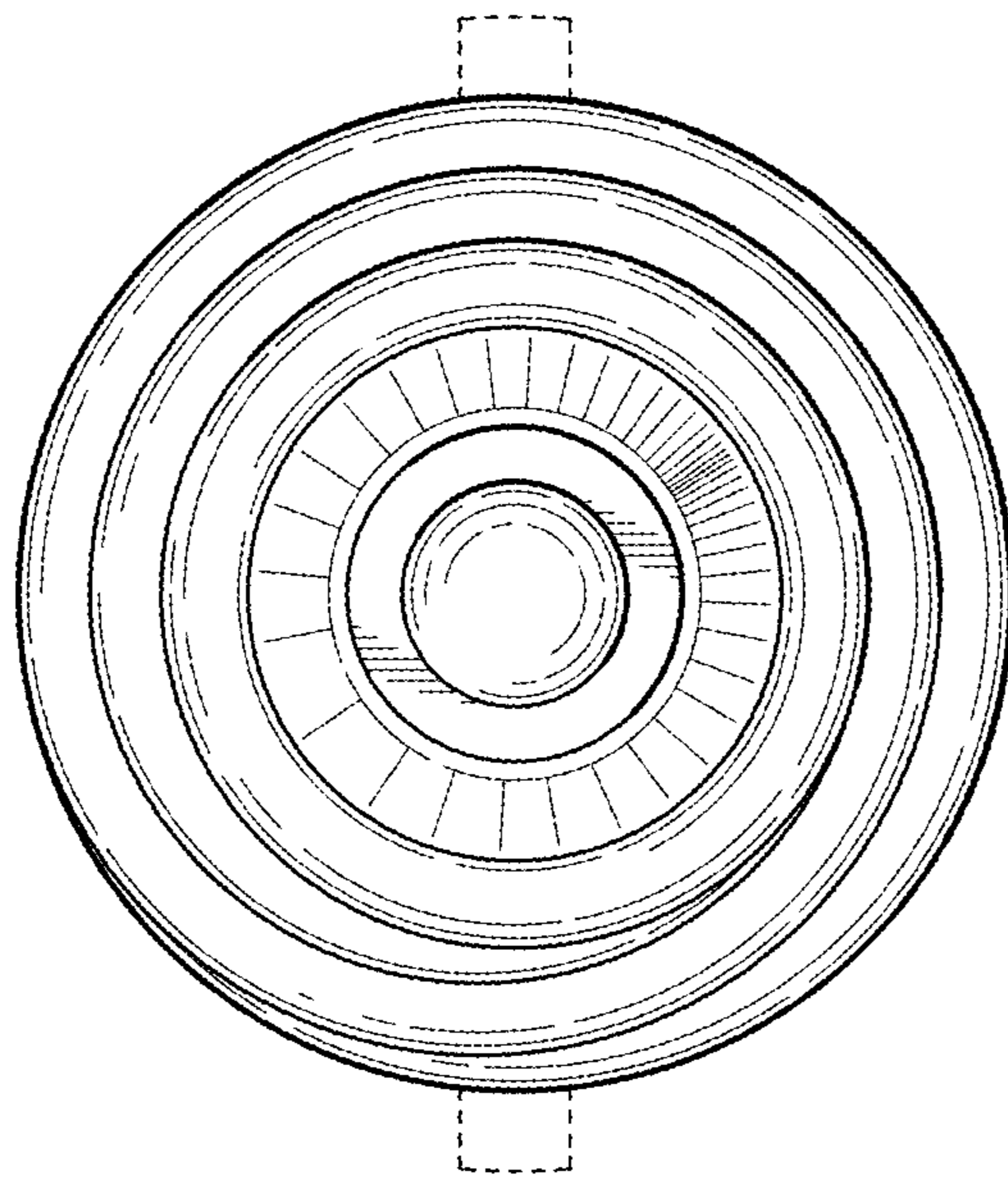
**FIG. 7**



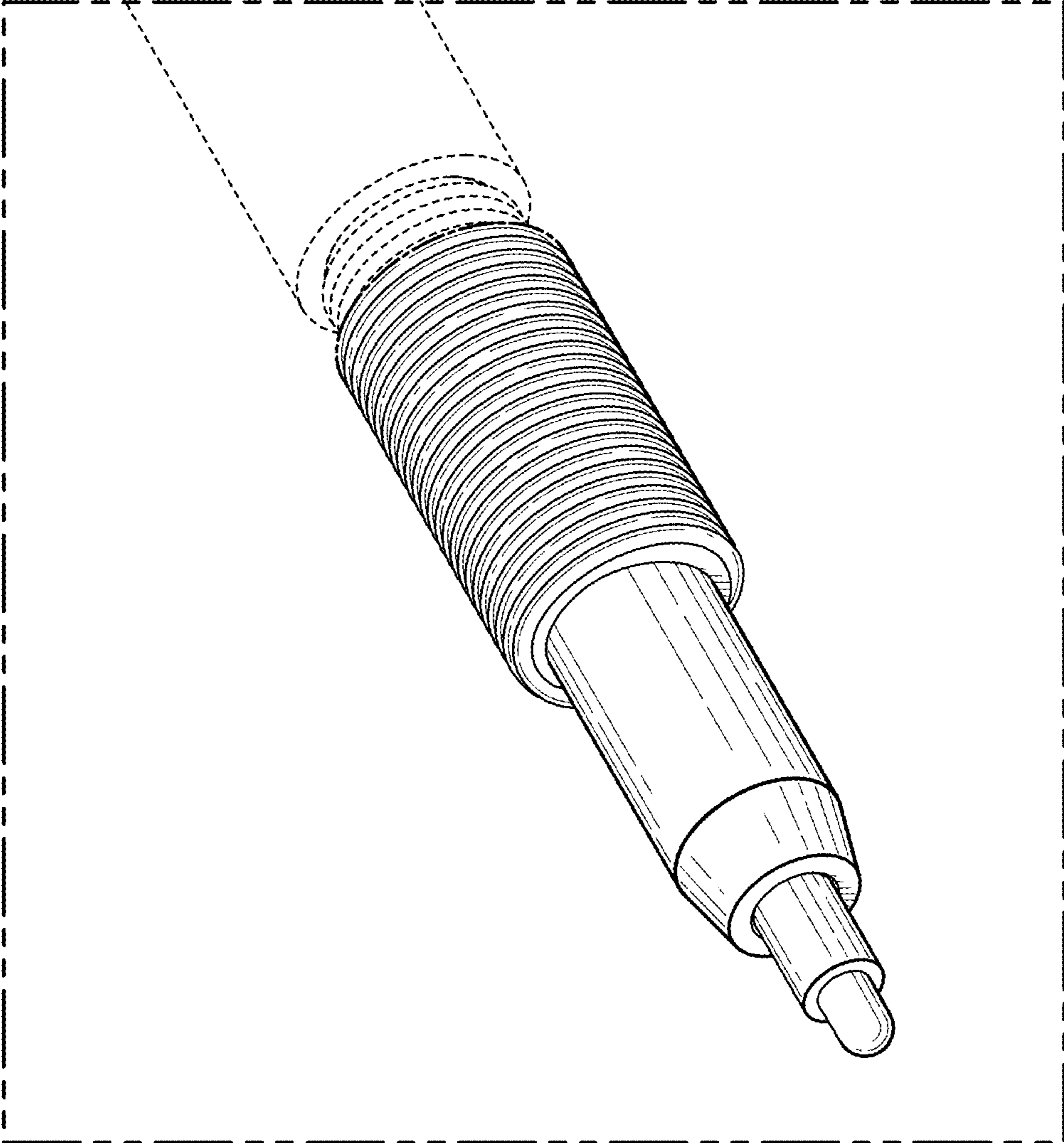
**FIG. 8**



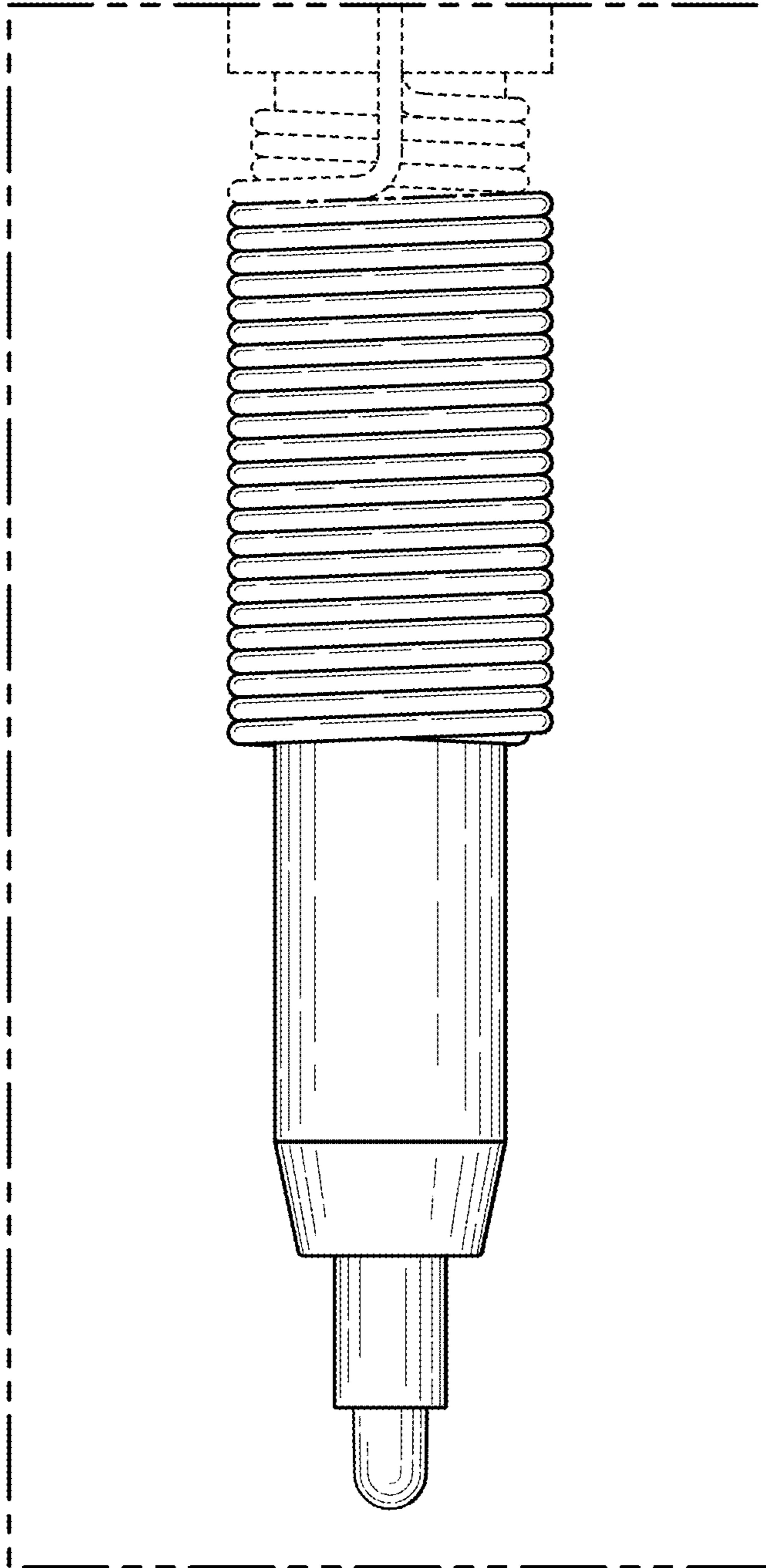
**FIG. 10**



**FIG. 9**



**FIG. 11**



**FIG. 12**