



US00D897339S

(12) **United States Design Patent** (10) **Patent No.:** **US D897,339 S**  
**Lee** (45) **Date of Patent:** **\*\* Sep. 29, 2020**

(54) **MONITOR**

(71) Applicant: **LG DISPLAY CO., LTD.**, Seoul (KR)

(72) Inventor: **A-reum Lee**, Paju-si (KR)

(73) Assignee: **LG DISPLAY CO., LTD.**, Seoul (KR)

(\*\*) Term: **15 Years**

(21) Appl. No.: **29/646,454**

(22) Filed: **May 4, 2018**

(30) **Foreign Application Priority Data**

Nov. 6, 2017 (KR) ..... 30-2017-0051646

(51) **LOC (12) Cl.** ..... **14-02**

(52) **U.S. Cl.**  
USPC ..... **D14/374**

(58) **Field of Classification Search**  
USPC ..... D14/300–302, 305, 307, 314, 336–337,  
D14/371, 374–384, 388–389, 448,  
D14/450–451, 210, 214, 126, 432,  
D14/444–446, 316–317, 323–324;  
40/406, 427; D24/137–138, 160, 186;  
D20/39, 41–42; D6/300, 308, 310;  
D10/15, 21, 24; D21/324–325, 329, 370;  
361/521; 174/382, 552; D13/184;  
D19/88, 113  
CPC ..... E04H 1/1272; E04H 1/1222; G09F 13/00;  
G09F 9/00; G09F 9/3023; G09F 9/3026  
See application file for complete search history.

(56) **References Cited**

**U.S. PATENT DOCUMENTS**

D534,214 S \* 12/2006 Marcy ..... D19/113  
D570,806 S \* 6/2008 Lee ..... D14/126  
D589,478 S \* 3/2009 Wang ..... D14/126  
D598,406 S \* 8/2009 Wang ..... D14/126  
D609,661 S \* 2/2010 VanDuy ..... D14/126  
D614,184 S \* 4/2010 Daniel ..... D14/342

(Continued)

**FOREIGN PATENT DOCUMENTS**

JP D1567409 \* 1/2017  
KR 300763454.0000 \* 10/2014

**OTHER PUBLICATIONS**

Slide Avonte 7 Tablet with 13MP Rotating Camera, iBall, fonearena.com, published by Srivatsan Sridhar on Oct. 20, 2015 © 2005-2017 Fone Arena, online, site visited Aug. 22, 2019. Available from Internet, URL: <https://www.fonearena.com/blog/161600/iball-slide-avonte-7-tablet-with-13mp-rotating-cam> . . . (Year: 2015).\*

(Continued)

*Primary Examiner* — Marissa J Cash

*Assistant Examiner* — Altaira J Swangin

(74) *Attorney, Agent, or Firm* — Birch, Stewart, Kolasch & Birch, LLP

(57) **CLAIM**

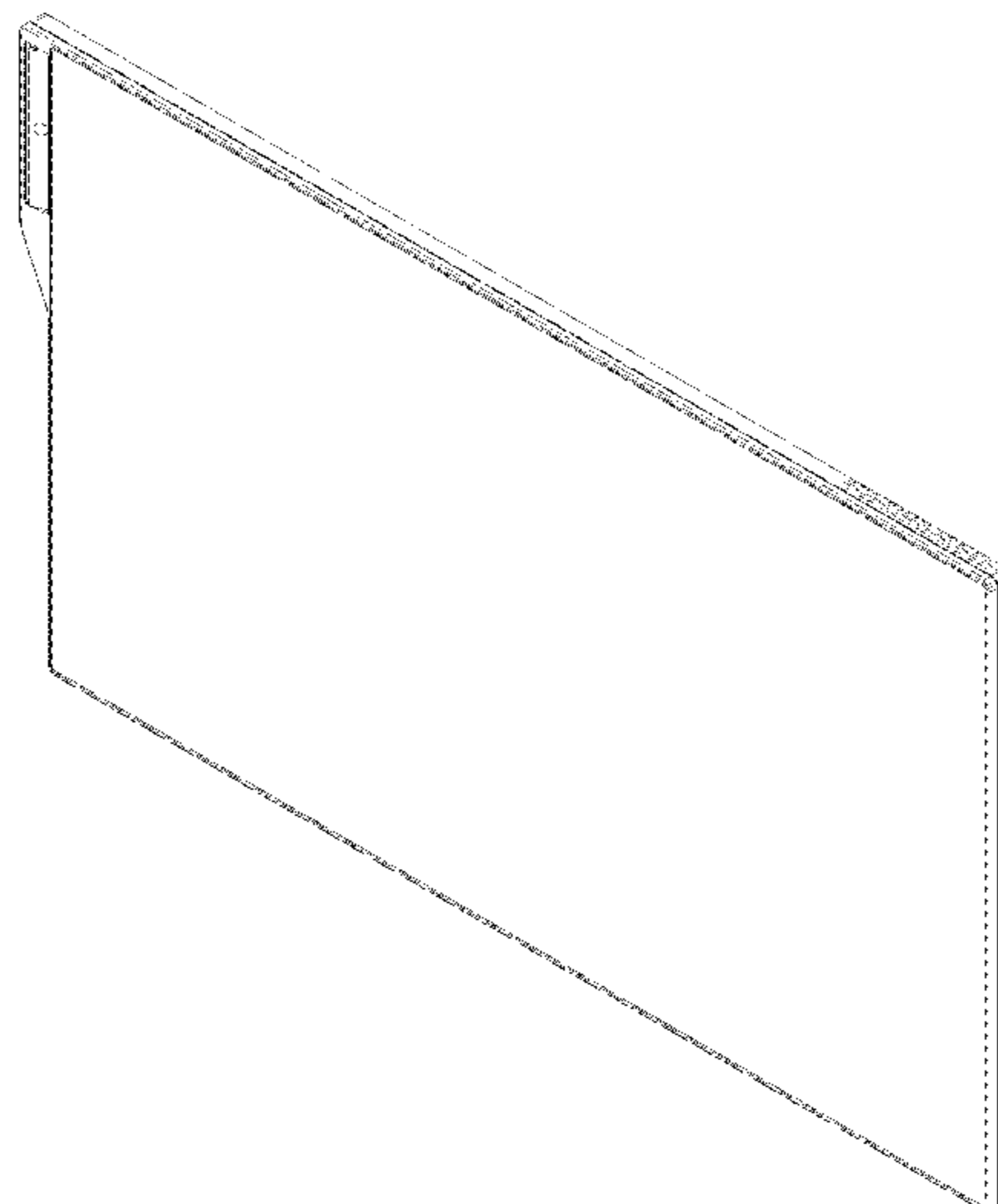
The ornamental design for a monitor, as shown and described.

**DESCRIPTION**

FIG. 1 is a front, right, top perspective view of the monitor showing my new design;  
FIG. 2 is a front view thereof;  
FIG. 3 is a rear view thereof;  
FIG. 4 is a left side view thereof;  
FIG. 5 is a right side view thereof;  
FIG. 6 is a top plan view thereof;  
FIG. 7 is a bottom view thereof; and,  
FIG. 8 is an enlarged top, front, left perspective detail view of the upper left portion of the monitor, showing the camera module.

The broken lines, shown in FIGS. 1-7, are for the purpose of illustrating portions of the monitor and form no part of the claimed design.

**1 Claim, 8 Drawing Sheets**



(56)

References Cited

U.S. PATENT DOCUMENTS

D623,614 S \* 9/2010 Wang ..... D14/126  
 D624,893 S \* 10/2010 Kasuga ..... D14/126  
 D635,943 S \* 4/2011 Kim ..... D14/126  
 D646,243 S \* 10/2011 Honda ..... D14/126  
 D651,995 S \* 1/2012 Johnson ..... D14/126  
 D656,994 S \* 4/2012 Podd ..... D20/42  
 D661,268 S \* 6/2012 Itou ..... D14/126  
 D680,087 S \* 4/2013 Fujii ..... D14/126  
 D682,228 S \* 5/2013 Lee ..... D14/126  
 D682,234 S \* 5/2013 Lee ..... D14/126  
 D682,235 S \* 5/2013 Lee ..... D14/126  
 D690,676 S \* 10/2013 Daniel ..... D14/138 AD  
 D690,677 S \* 10/2013 Daniel ..... D14/138 AD  
 D690,678 S \* 10/2013 Daniel ..... D14/138 G  
 D691,572 S \* 10/2013 Lee ..... D14/126  
 D692,403 S \* 10/2013 Takami ..... D14/126  
 D695,245 S \* 12/2013 Hara ..... D14/126  
 D700,586 S \* 3/2014 Kim ..... D14/126  
 D703,627 S \* 4/2014 Son ..... D14/126  
 D704,159 S \* 5/2014 Daniel ..... D14/138 G  
 D706,773 S \* 6/2014 Lu ..... D14/341  
 D709,045 S \* 7/2014 Itou ..... D14/126  
 D709,842 S \* 7/2014 Lee ..... D14/126  
 D711,466 S \* 8/2014 Huang ..... D19/88  
 D715,238 S \* 10/2014 Jang ..... D14/126  
 D715,240 S \* 10/2014 Jang ..... D14/126  
 D715,242 S \* 10/2014 Jang ..... D14/126  
 D715,244 S \* 10/2014 Jang ..... D14/126  
 D715,754 S \* 10/2014 Jang ..... D14/126  
 D725,060 S \* 3/2015 Lam ..... D14/126  
 D725,615 S \* 3/2015 Go ..... D14/126  
 D731,451 S \* 6/2015 Choi ..... D14/126  
 D732,492 S \* 6/2015 Lee ..... D14/126  
 D733,082 S \* 6/2015 Hwangbo ..... D14/126  
 D734,326 S \* 7/2015 McManigal ..... D14/341

D753,080 S \* 4/2016 Dai ..... D14/126  
 D769,837 S \* 10/2016 Kim ..... D14/126  
 D786,246 S \* 5/2017 Park ..... D14/315  
 D787,593 S \* 5/2017 Robins ..... D19/113  
 D794,636 S \* 8/2017 Park ..... D14/315  
 D807,842 S \* 1/2018 Sugita ..... D14/126  
 D810,037 S \* 2/2018 Won ..... D14/126  
 D810,731 S \* 2/2018 Henderson ..... D14/341  
 D811,356 S \* 2/2018 Won ..... D14/126  
 D811,357 S \* 2/2018 Won ..... D14/126  
 D812,029 S \* 3/2018 Kim ..... D14/126  
 D812,030 S \* 3/2018 Kim ..... D14/126  
 D813,833 S \* 3/2018 Won ..... D14/126  
 D813,834 S \* 3/2018 Won ..... D14/126  
 D816,629 S \* 5/2018 Won ..... D14/126  
 D817,903 S \* 5/2018 Won ..... D14/126  
 D817,904 S \* 5/2018 Won ..... D14/126  
 D817,906 S \* 5/2018 Kim ..... D14/126  
 D817,907 S \* 5/2018 Kim ..... D14/126  
 D836,589 S \* 12/2018 Song ..... D14/127  
 D838,682 S \* 1/2019 Song ..... D14/126  
 D850,441 S \* 6/2019 Lee ..... D14/336  
 D852,272 S \* 6/2019 Lim ..... D19/113  
 D854,012 S \* 7/2019 Oakley ..... D14/374  
 D859,396 S \* 9/2019 Lee ..... D14/328  
 D860,195 S \* 9/2019 Lee ..... D14/328  
 2014/0118636 A1 \* 5/2014 Ninh ..... G06F 3/0444  
 349/12

OTHER PUBLICATIONS

Droid Axis smartphone, Torque, gadgetpilipinas.net, published by Jessica Alex Lagman on Aug. 7, 2015 per wayback machine © 2018 Gadget Pilipinas, online, site visited Aug. 22, 2019. Available from Internet, URL: <https://gadgetpilipinas.net/2015/08/torque-droidz-axis/> (Year: 2015).\*

\* cited by examiner

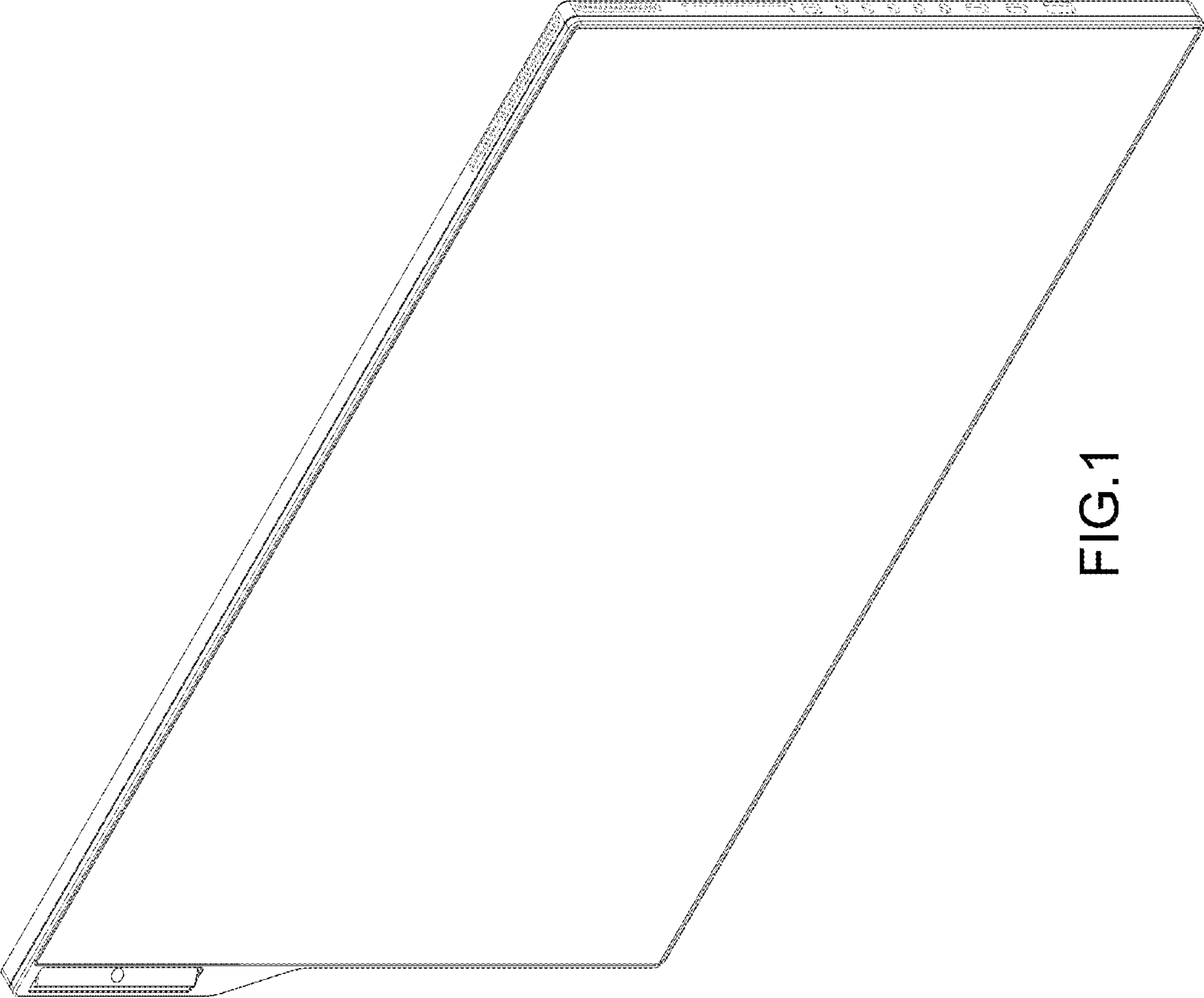


FIG.1

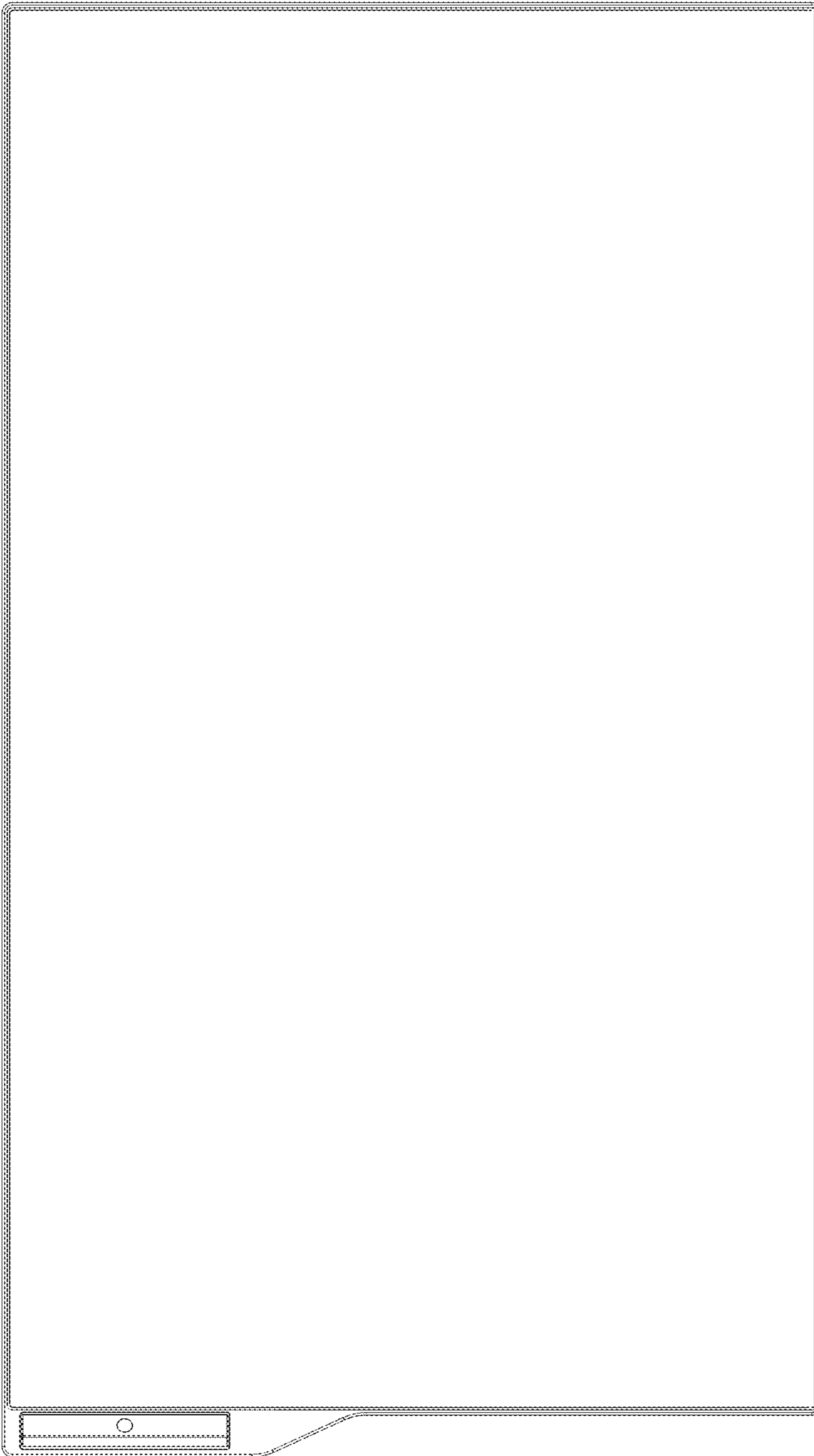


FIG.2

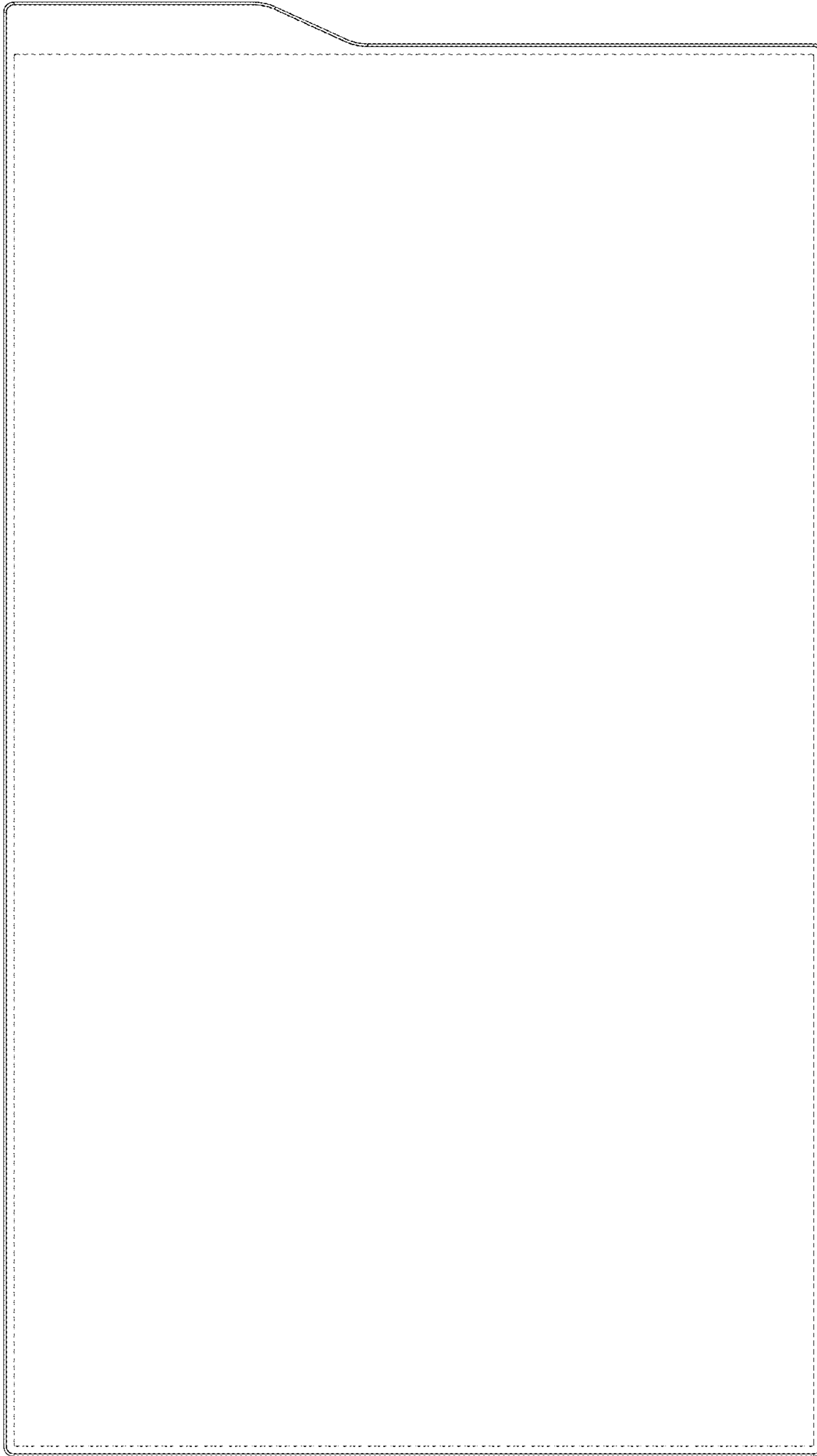


FIG.3

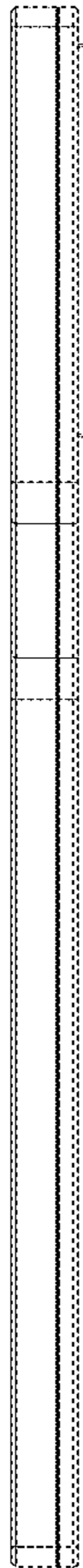


FIG.4



FIG.5

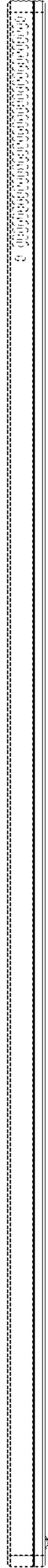


FIG.6





FIG. 7

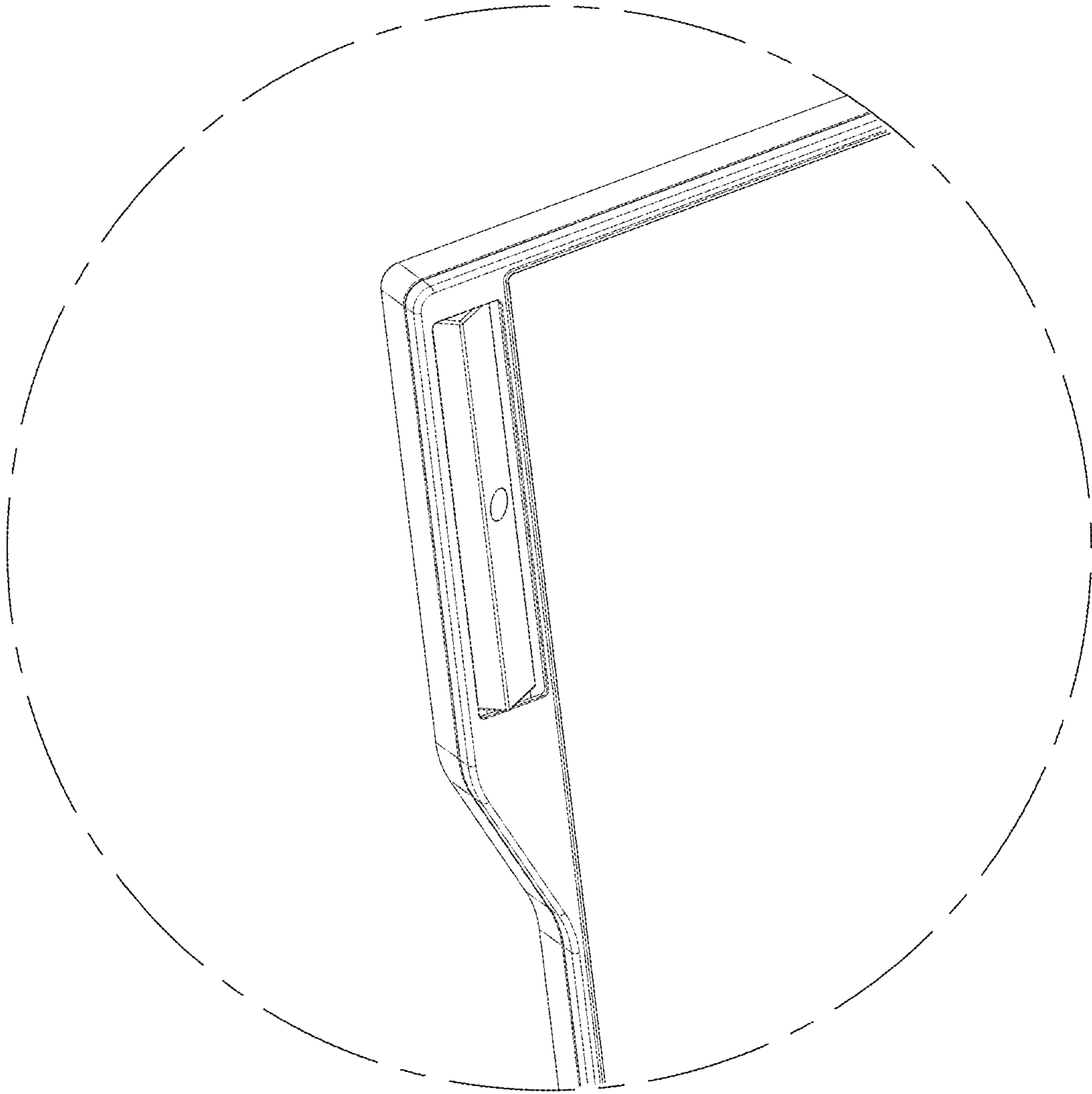


FIG.8