



US00D897338S

(12) **United States Design Patent**
Escolin et al.

(10) **Patent No.:** **US D897,338 S**

(45) **Date of Patent:** **** Sep. 29, 2020**

(54) **COMPUTING DEVICE**

(71) Applicant: **Microsoft Corporation**, Redmond, WA (US)

(72) Inventors: **Timothy Escolin**, Seattle, WA (US); **Jan Raken**, Seattle, WA (US); **James David Wahl**, Woodinville, WA (US); **Angela Chen Krauskopf**, Sammamish, WA (US); **Anthony Hewett**, Duvall, WA (US); **Spencer B. Eggert**, Redmond, WA (US)

(73) Assignee: **Microsoft Corporation**, Redmond, WA (US)

(**) Term: **15 Years**

(21) Appl. No.: **29/720,097**

(22) Filed: **Jan. 9, 2020**

Related U.S. Application Data

(62) Division of application No. 29/622,392, filed on Oct. 17, 2017, now Pat. No. Des. 875,737, which is a division of application No. 29/573,573, filed on Aug. 8, 2016, now Pat. No. Des. 803,827.

(51) **LOC (12) Cl.** **14-02**

(52) **U.S. Cl.**
USPC **D14/336**

(58) **Field of Classification Search**
USPC D14/336, 339-340, 371, 374-377, D14/378-379

CPC G06F 1/1601; G06F 1/162; G06F 1/1622; F16M 13/005; F15M 13/022

See application file for complete search history.

(56) **References Cited**

U.S. PATENT DOCUMENTS

3,695,210 A 10/1972 Stein
D319,435 S 8/1991 Brown

D339,796 S 9/1993 Goodner et al.
6,665,175 B1 12/2003 deBoer et al.
7,143,478 B2 12/2006 Quijano
D537,079 S * 2/2007 Park D14/375
D540,797 S * 4/2007 Chen D14/336
D558,201 S 12/2007 Park et al.
D558,562 S 1/2008 Ciungan et al.
D559,662 S 1/2008 Sculler et al.

(Continued)

Primary Examiner — Sandra S Snapp

Assistant Examiner — Katherine Glennon

(74) *Attorney, Agent, or Firm* — Banner & Witcoff, Ltd.

(57) **CLAIM**

The ornamental design for a computing device, as shown and described.

DESCRIPTION

FIG. 1 is a front perspective view of a computing device showing our new design;

FIG. 2 is a rear perspective view thereof;

FIG. 3 is a front view thereof;

FIG. 4 is a rear view thereof;

FIG. 5 is a right side view thereof;

FIG. 6 is a left side view thereof;

FIG. 7 is a top view thereof;

FIG. 8 is a bottom view thereof;

FIG. 9 is a front perspective view of the computing device shown in an alternate position;

FIG. 10 is a rear perspective view thereof;

FIG. 11 is a front view thereof;

FIG. 12 is a rear view thereof;

FIG. 13 is a right side view thereof;

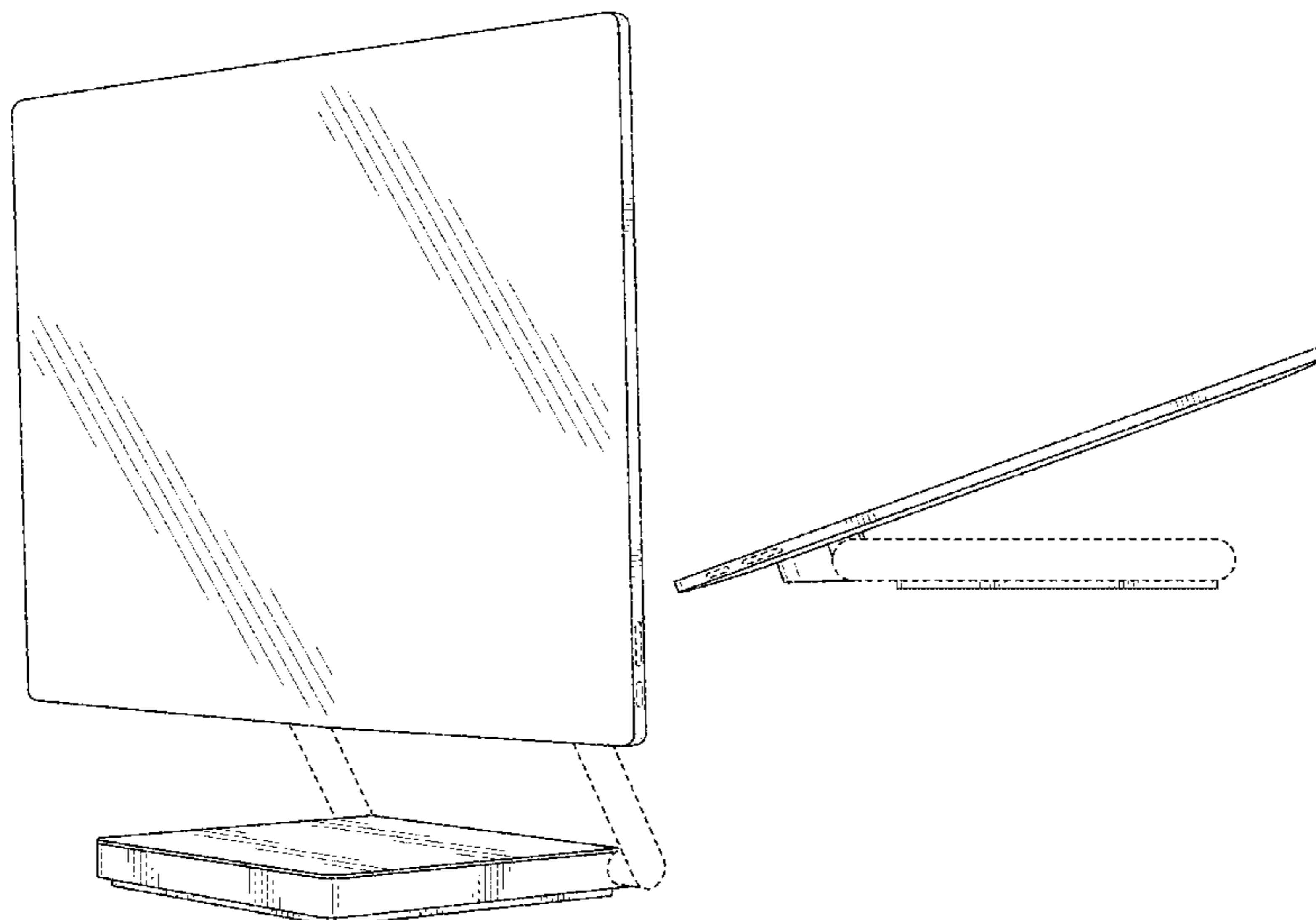
FIG. 14 is a left side view thereof;

FIG. 15 is a top view thereof; and,

FIG. 16 is a bottom view thereof.

The broken lines depicting the remainder of the computing device show features that form no part of the claimed design.

1 Claim, 13 Drawing Sheets



(56)

References Cited

U.S. PATENT DOCUMENTS

D589,964 S	4/2009	Heggland et al.	D754,655 S	4/2016	Groene et al.
D591,303 S	4/2009	Heggland et al.	9,685,984 B1 *	6/2017	Majumdar G06F 1/1616
7,570,482 B2	8/2009	Chan	D803,827 S	11/2017	Escolin et al.
D619,133 S	7/2010	Bucsa	D805,075 S *	12/2017	Yeom D14/374
D620,012 S	7/2010	Chen et al.	9,936,593 B2	4/2018	Deily et al.
7,766,288 B2	8/2010	Kim et al.	10,159,158 B2	12/2018	Park et al.
D631,042 S *	1/2011	Chen D14/337	10,172,248 B1	1/2019	Park et al.
8,011,623 B2	9/2011	Hwang et al.	10,324,497 B1	6/2019	Perelli et al.
D666,622 S	9/2012	Harper et al.	10,345,851 B2	7/2019	Park et al.
8,310,468 B2	11/2012	Martin	D862,470 S *	10/2019	Kang D14/374
D672,356 S	12/2012	Quijano et al.	D875,737 S *	2/2020	Escolin D14/451
D676,855 S *	2/2013	Yoo D14/448	2006/0256512 A1	11/2006	Esther Kang
D678,272 S	3/2013	Groene et al.	2007/0058329 A1	3/2007	Ledbetter et al.
D678,877 S	3/2013	Groene et al.	2007/0194183 A1	8/2007	Kim
D696,254 S	12/2013	Groene et al.	2008/0266768 A1	10/2008	Drew
D700,178 S	2/2014	Ma	2012/0248048 A1	10/2012	Wu et al.
D703,631 S *	4/2014	Hallar D14/126	2013/0112818 A1	5/2013	Hsu
8,769,772 B2	7/2014	Griffin et al.	2013/0144446 A1	6/2013	Rihn et al.
D712,867 S *	9/2014	Vats D14/138 AB	2013/0176672 A1 *	7/2013	Richard G06F 1/1616 361/679.22
D723,029 S *	2/2015	Seoc D14/336	2014/0353453 A1	12/2014	Quijano et al.
8,944,396 B2	2/2015	Mau et al.	2015/0362962 A1	12/2015	Lee et al.
D729,815 S	5/2015	Anderson	2017/0300082 A1	10/2017	Park et al.
9,035,742 B2	5/2015	Rihn et al.	2017/0300083 A1	10/2017	Park et al.
D731,499 S	6/2015	Tseng	2017/0357293 A1	12/2017	Hewett et al.
9,155,235 B2	10/2015	Lindblad et al.	2017/0362858 A1	12/2017	Callan et al.
D743,394 S *	11/2015	Chang D14/375	2018/0003245 A1	1/2018	Castillo et al.
9,291,299 B2	3/2016	Richard et al.	2018/0041732 A1 *	2/2018	Yan G06F 1/1607
			2018/0042129 A1	2/2018	Park et al.
			2018/0083388 A1 *	3/2018	Wahl H01R 13/5825

* cited by examiner

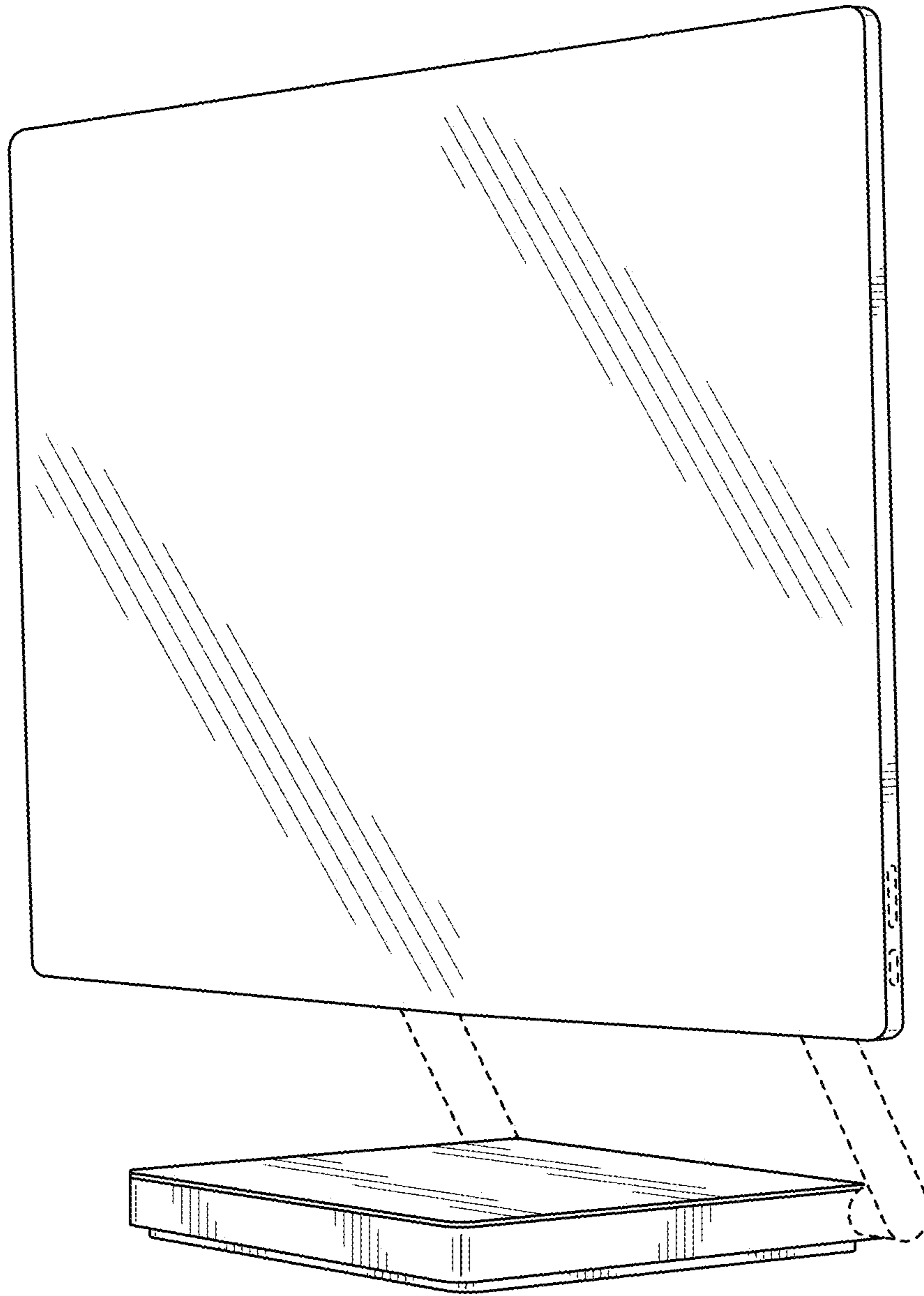


FIG. 1

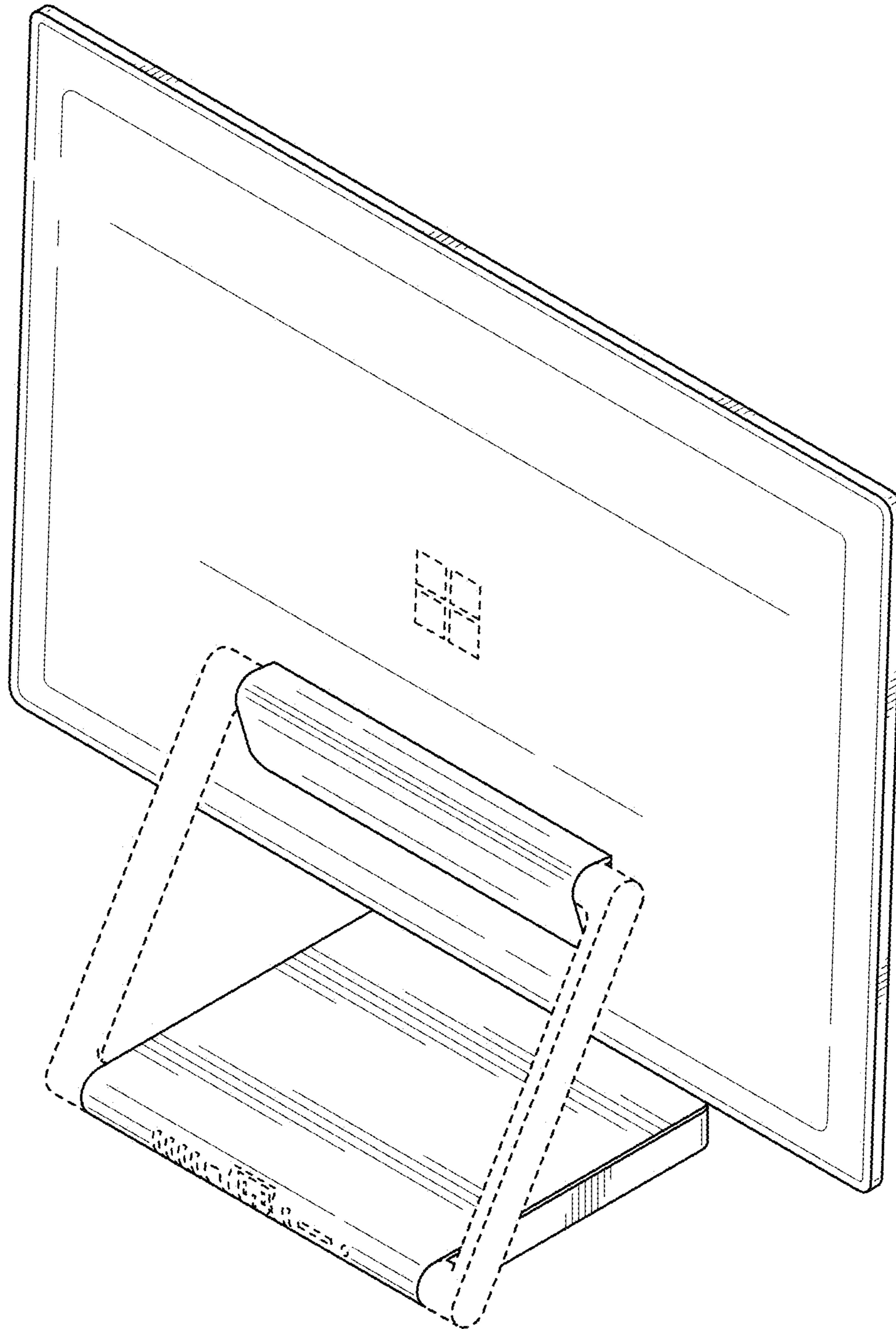


FIG. 2

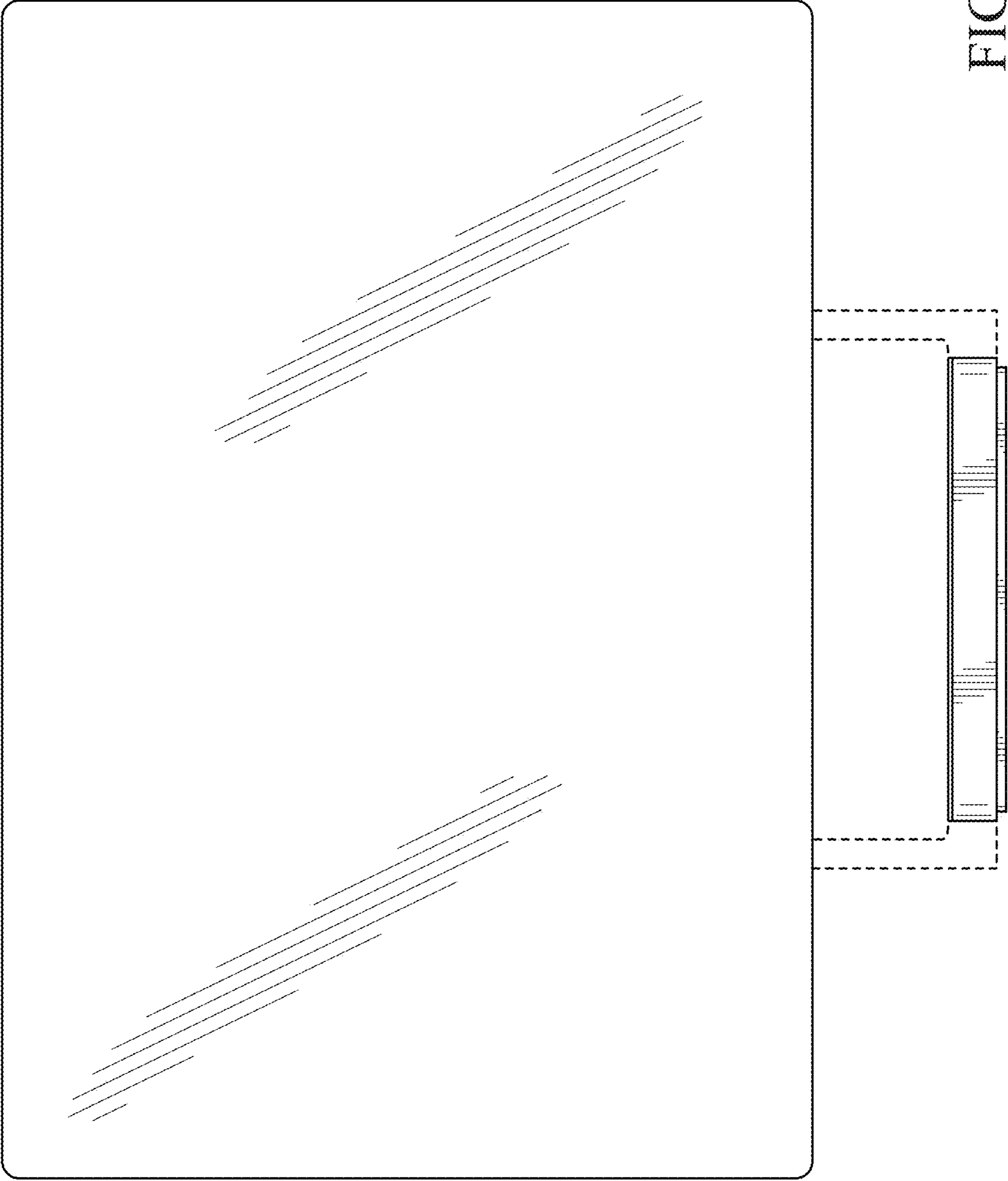


FIG. 3

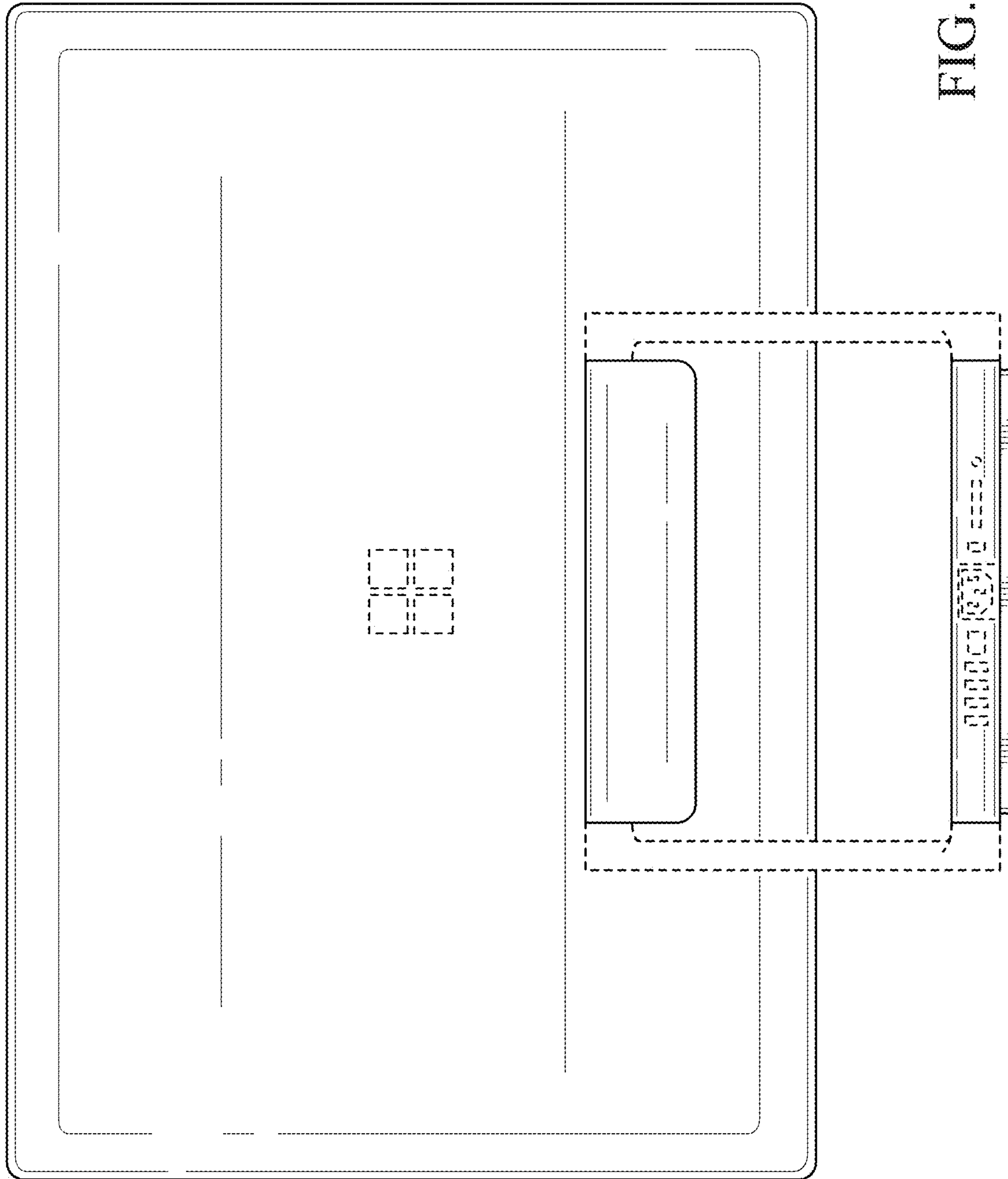
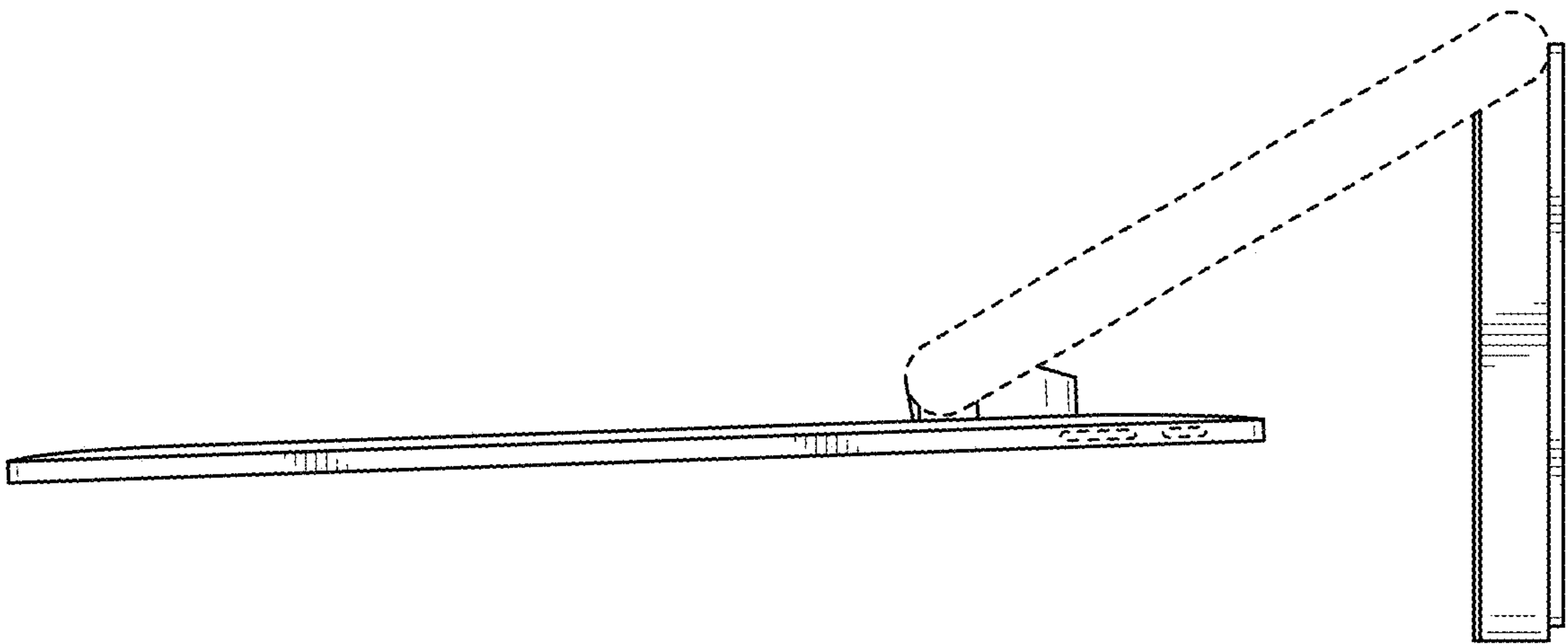
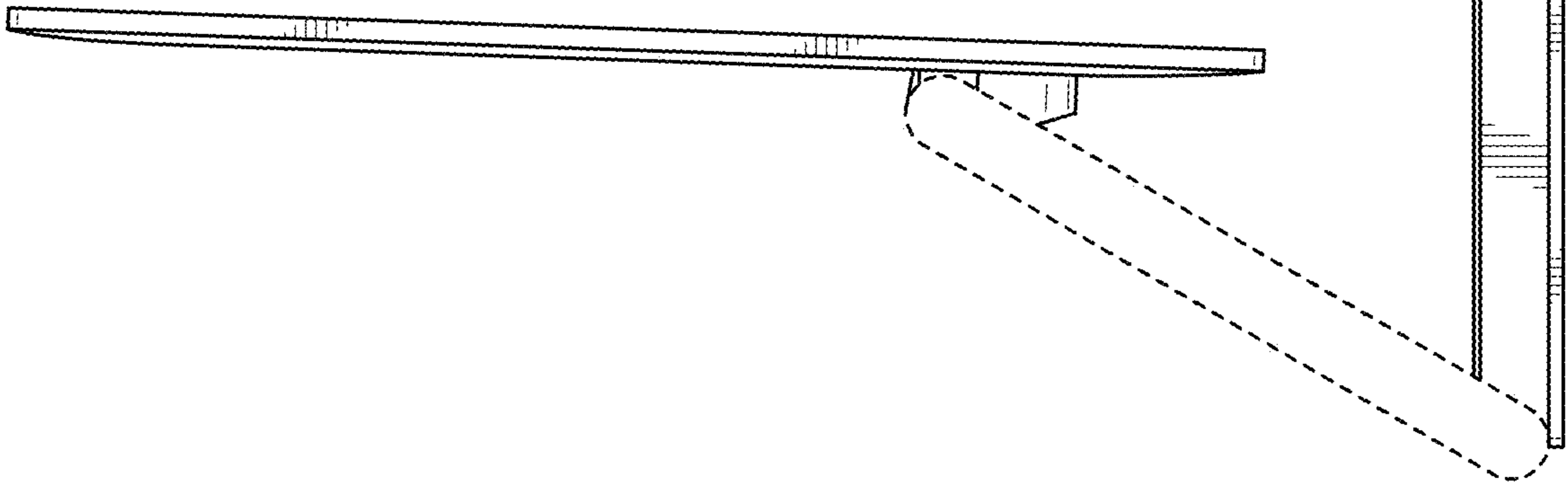


FIG. 4



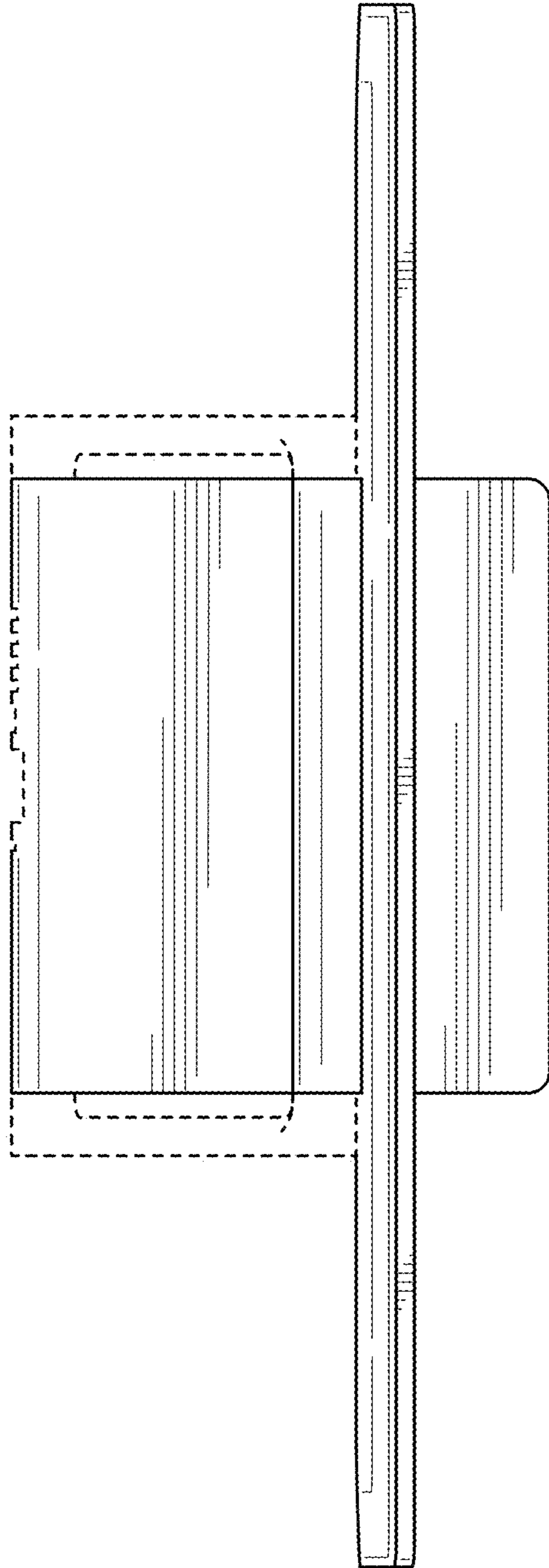


FIG. 7

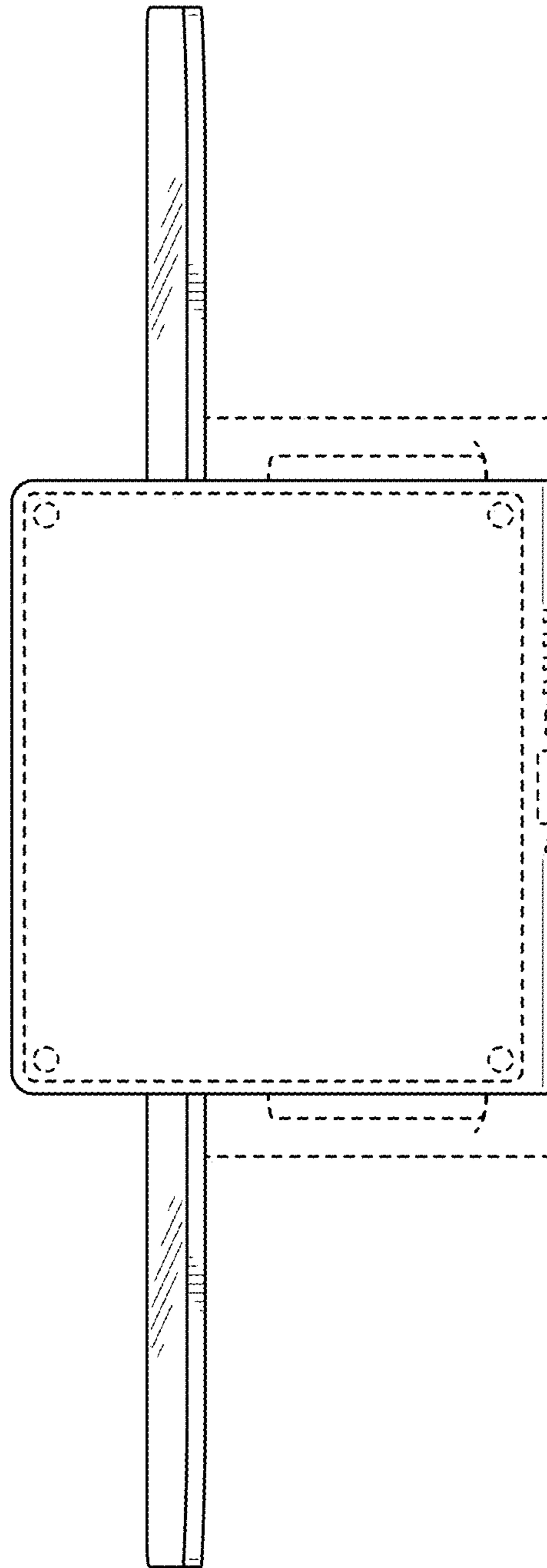


FIG. 8

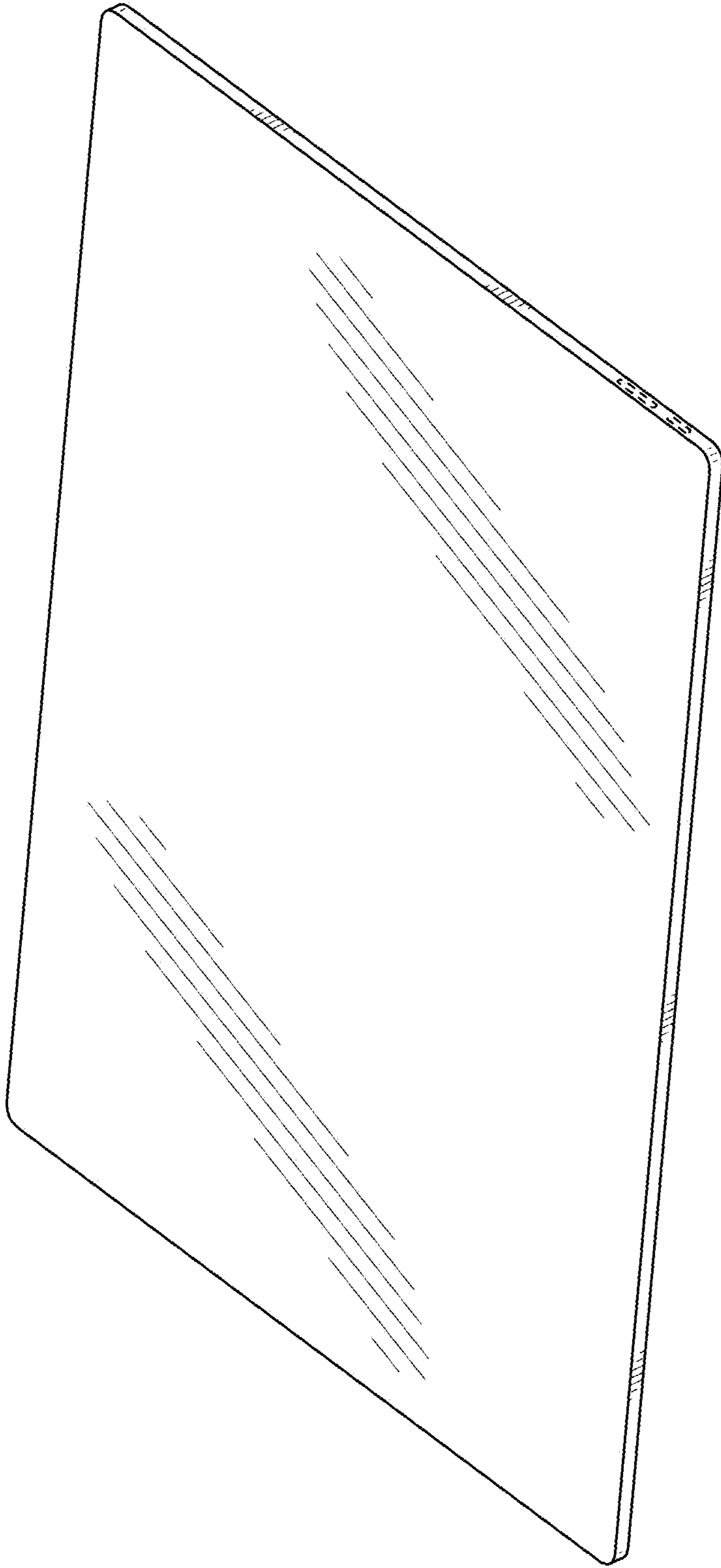


FIG. 9

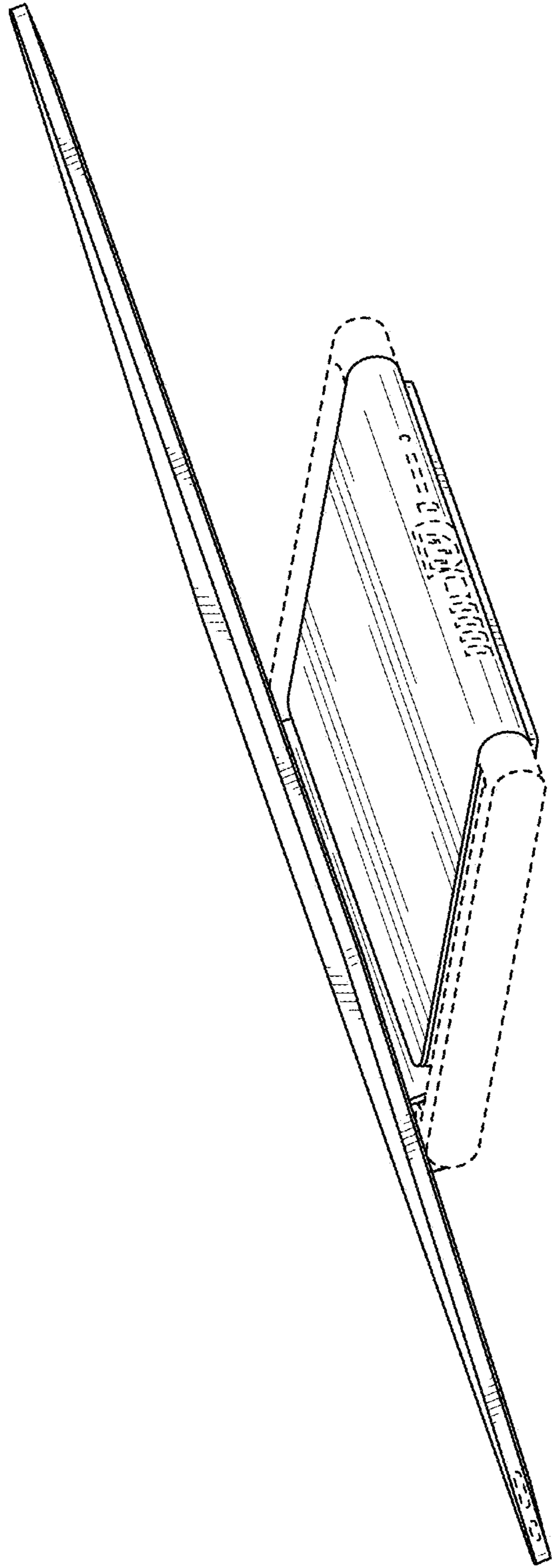


FIG. 10

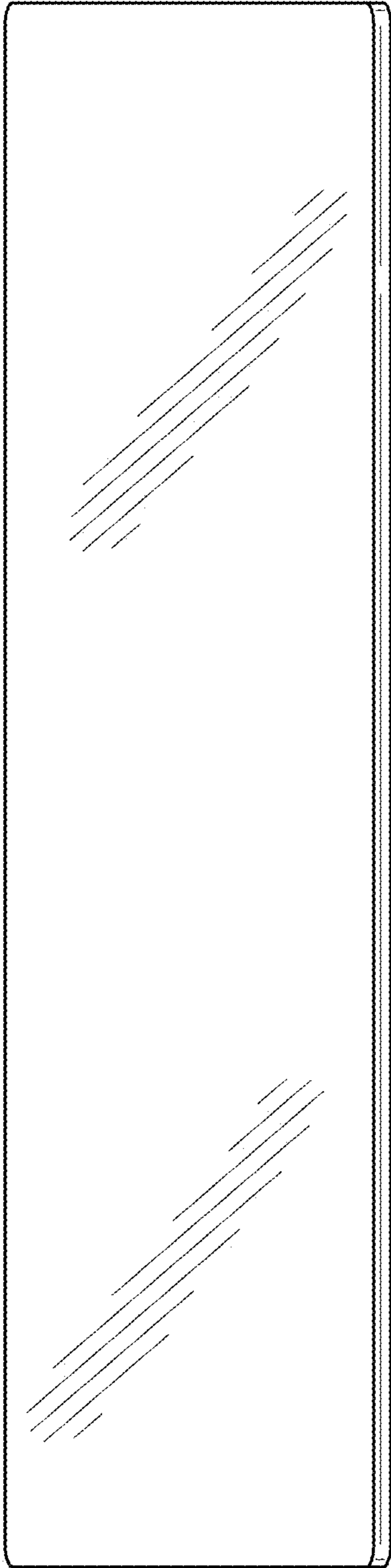


FIG. 11

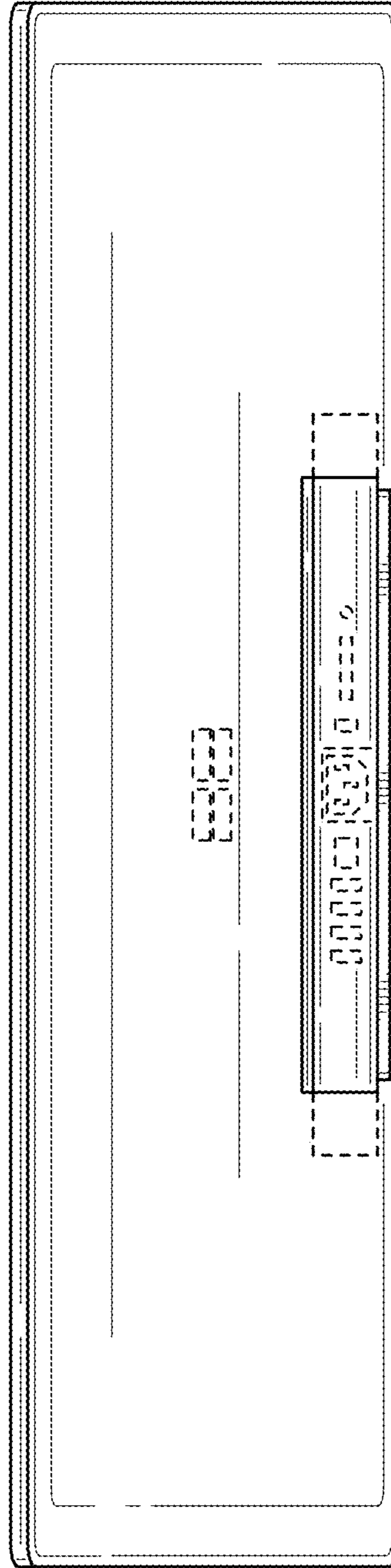


FIG. 12

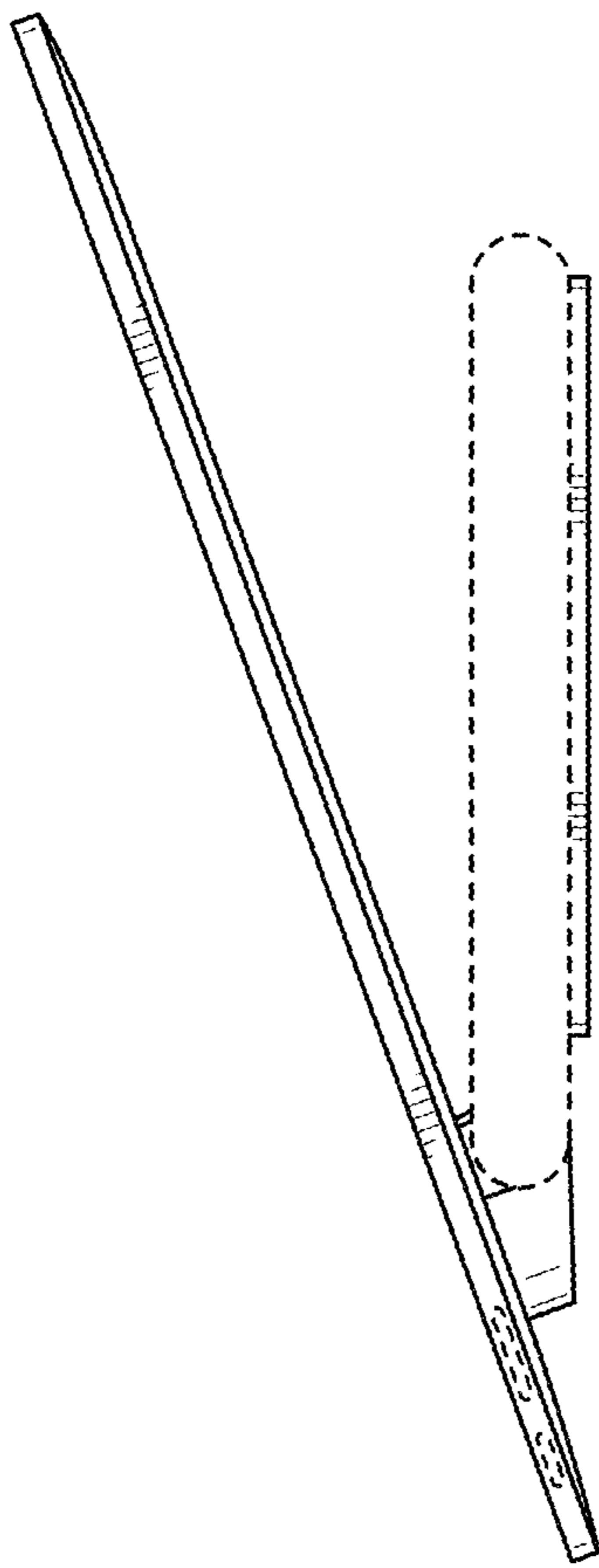


FIG. 13

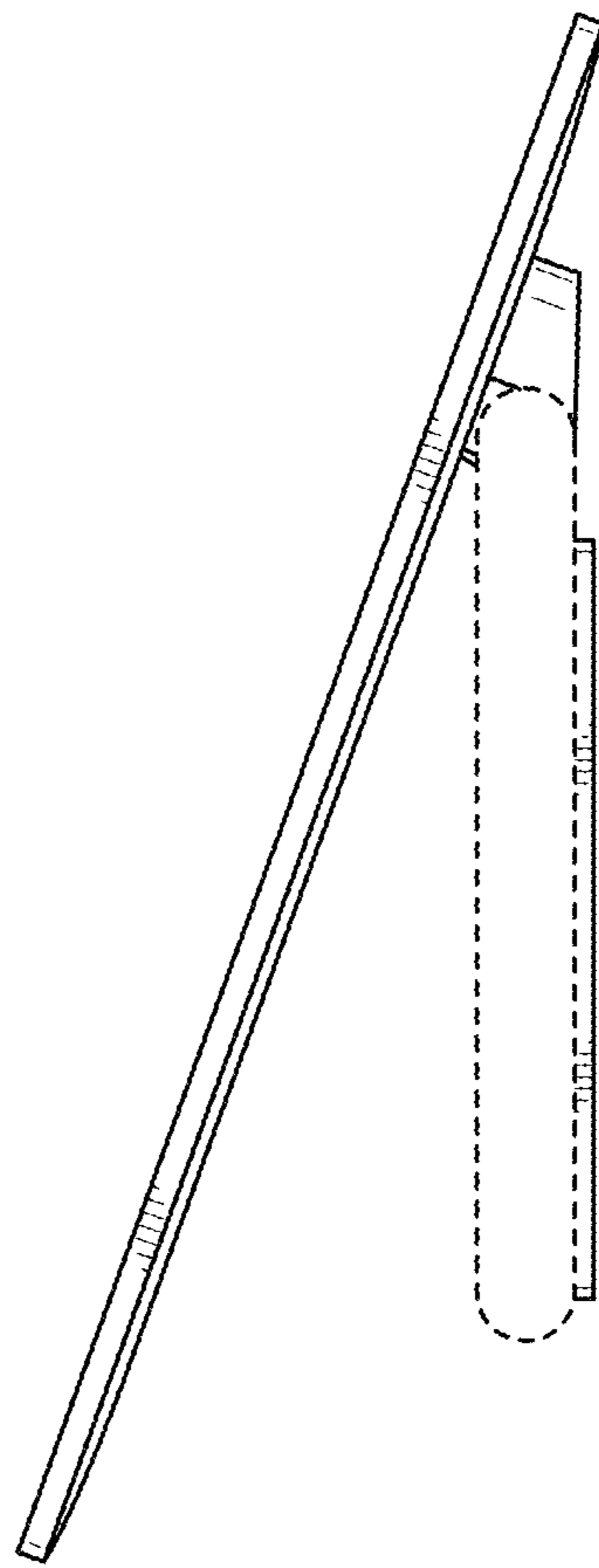


FIG. 14

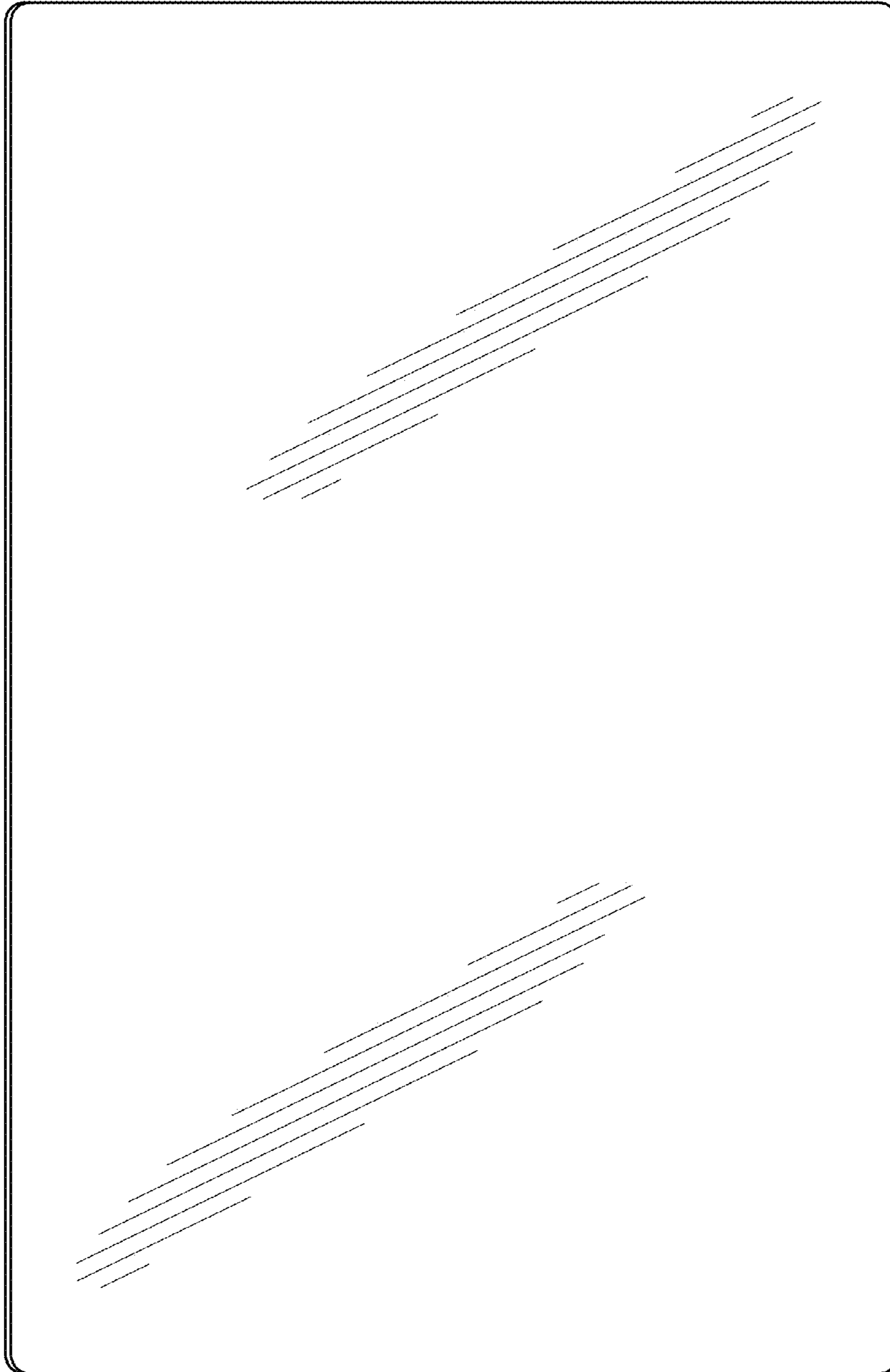


FIG. 15

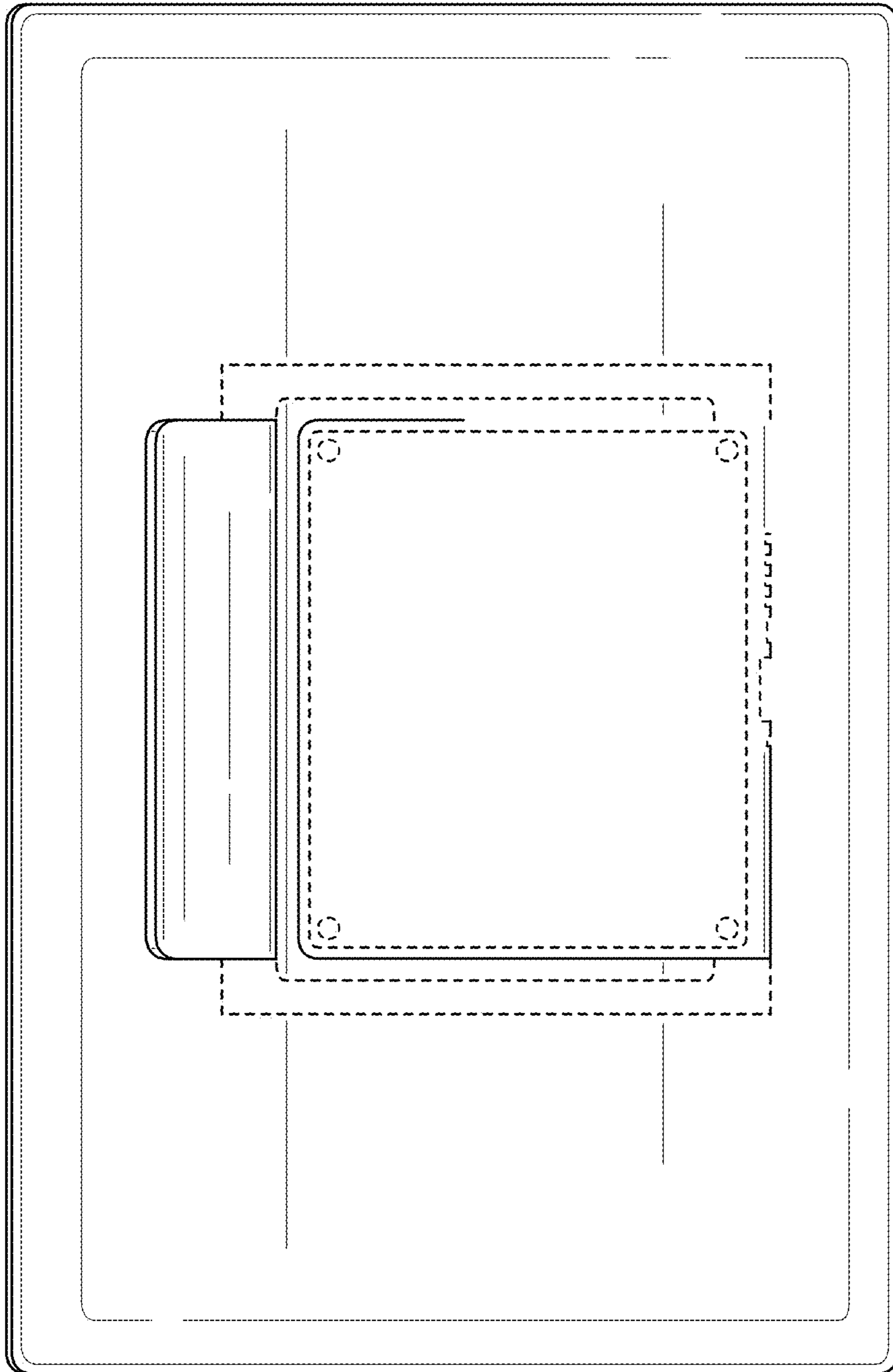


FIG. 16