



US00D897336S

(12) **United States Design Patent** (10) **Patent No.:** **US D897,336 S**  
**Morris et al.** (45) **Date of Patent:** **\*\* Sep. 29, 2020**

(54) **ELECTRONICS HEAD**

(71) Applicant: **Wayne Fueling Systems LLC**, Austin, TX (US)

(72) Inventors: **John J. Morris**, Austin, TX (US); **Scott R. Negley, III**, Austin, TX (US); **Annika Birkler**, Austin, TX (US); **Sam Moon**, Austin, TX (US); **Randal S. Kretzler**, Austin, TX (US); **Brian Tholen**, Austin, TX (US); **Daniel Holmes**, Austin, TX (US); **Artemus A. Shelton**, Hutto, TX (US); **Henry Fieglein**, Cedar Park, TX (US); **Paul Laiming**, Austin, TX (US); **Lucas Wade**, Austin, TX (US)

(73) Assignee: **Wayne Fueling Systems LLC**, Austin, TX (US)

(\*\*) Term: **15 Years**

(21) Appl. No.: **29/679,724**

(22) Filed: **Feb. 8, 2019**

(51) **LOC (12) Cl.** ..... **14-02**

(52) **U.S. Cl.**  
USPC ..... **D14/307**

(58) **Field of Classification Search**  
USPC ..... D14/302-307, 900-902; D13/163; D20/10; D21/332, 325, 369, 370; D99/28; D6/397, 466; 194/206; 361/679.01, 679.02, 679.04, 679.21, 361/679.57, 725  
CPC ..... G06Q 20/18; G06Q 20/10; G06Q 20/123; G06Q 20/20; G06Q 30/02; G06Q 30/06; A47F 9/047

See application file for complete search history.

(56) **References Cited**

U.S. PATENT DOCUMENTS

D566,702 S *	4/2008	Malone	.....	D14/307
D611,047 S *	3/2010	Smith	.....	D14/307
D626,544 S *	11/2010	Bleck	.....	D14/307
D708,676 S *	7/2014	Ballman	.....	D14/307
D716,792 S *	11/2014	Raymonde Looze	.....	D14/307
D752,573 S *	3/2016	Ballman	.....	D14/307
D782,465 S *	3/2017	Chen	.....	D14/307
D828,348 S *	9/2018	Lee	.....	D14/307

\* cited by examiner

*Primary Examiner* — Austin Murphy

(74) *Attorney, Agent, or Firm* — Mintz Levin Cohn Ferris Glovsky and Popeo, P.C.

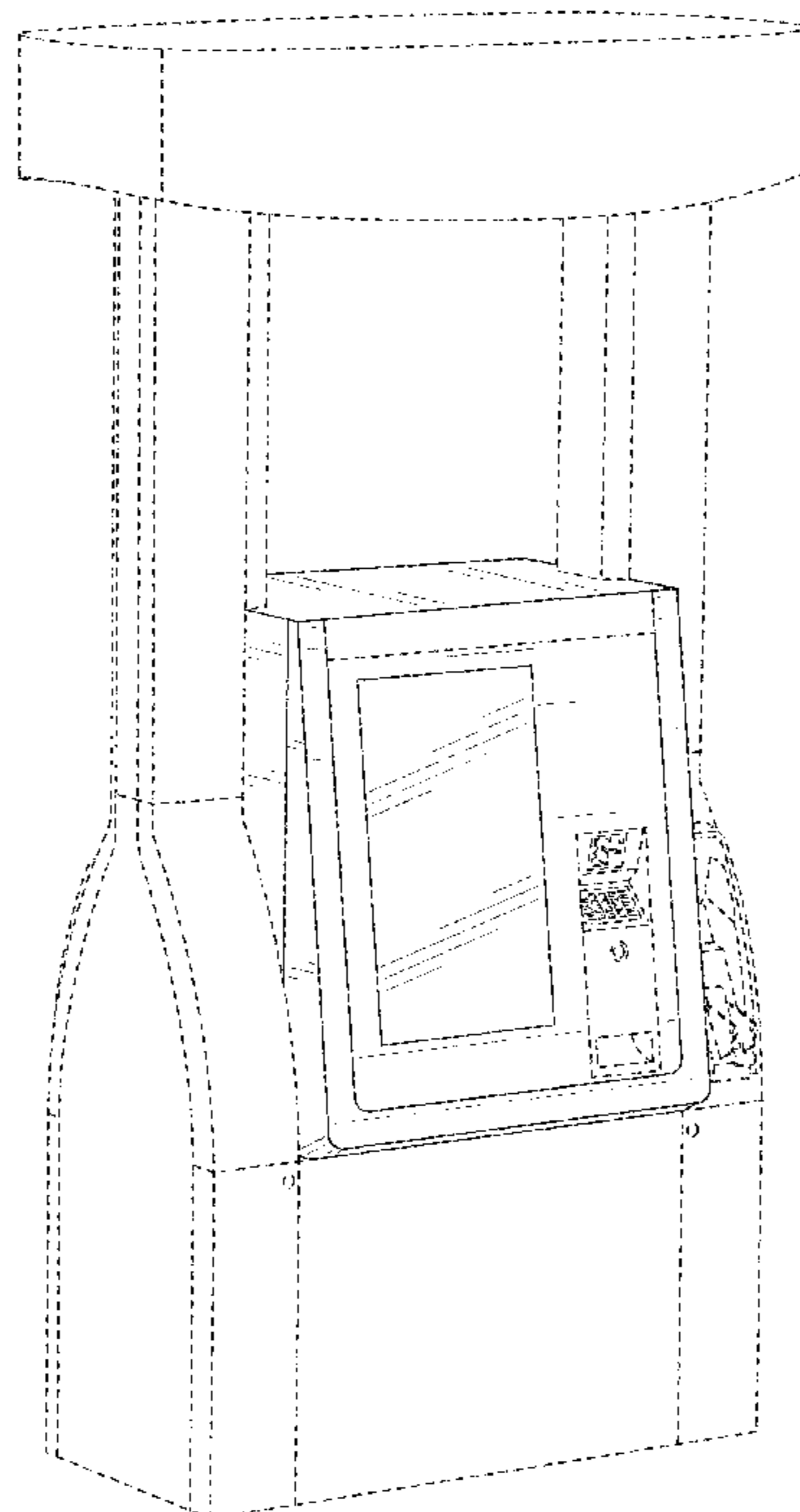
(57) **CLAIM**

The ornamental design for an electronics head, as shown and described.

**DESCRIPTION**

FIG. 1 is a perspective view of one embodiment of a new design of an electronics head shown on a fuel dispenser; FIG. 2 is front view of the electronics head of FIG. 1, the back view being a mirror image thereof; FIG. 3 is a left view of the electronics head of FIG. 1; FIG. 4 is a right view of the electronics head of FIG. 1; FIG. 5 is a top view of the electronics head of FIG. 1; and, FIG. 6 is a bottom view of the electronics head of FIG. 1. The broken lines in the drawings form no part of the claimed design.

**1 Claim, 4 Drawing Sheets**



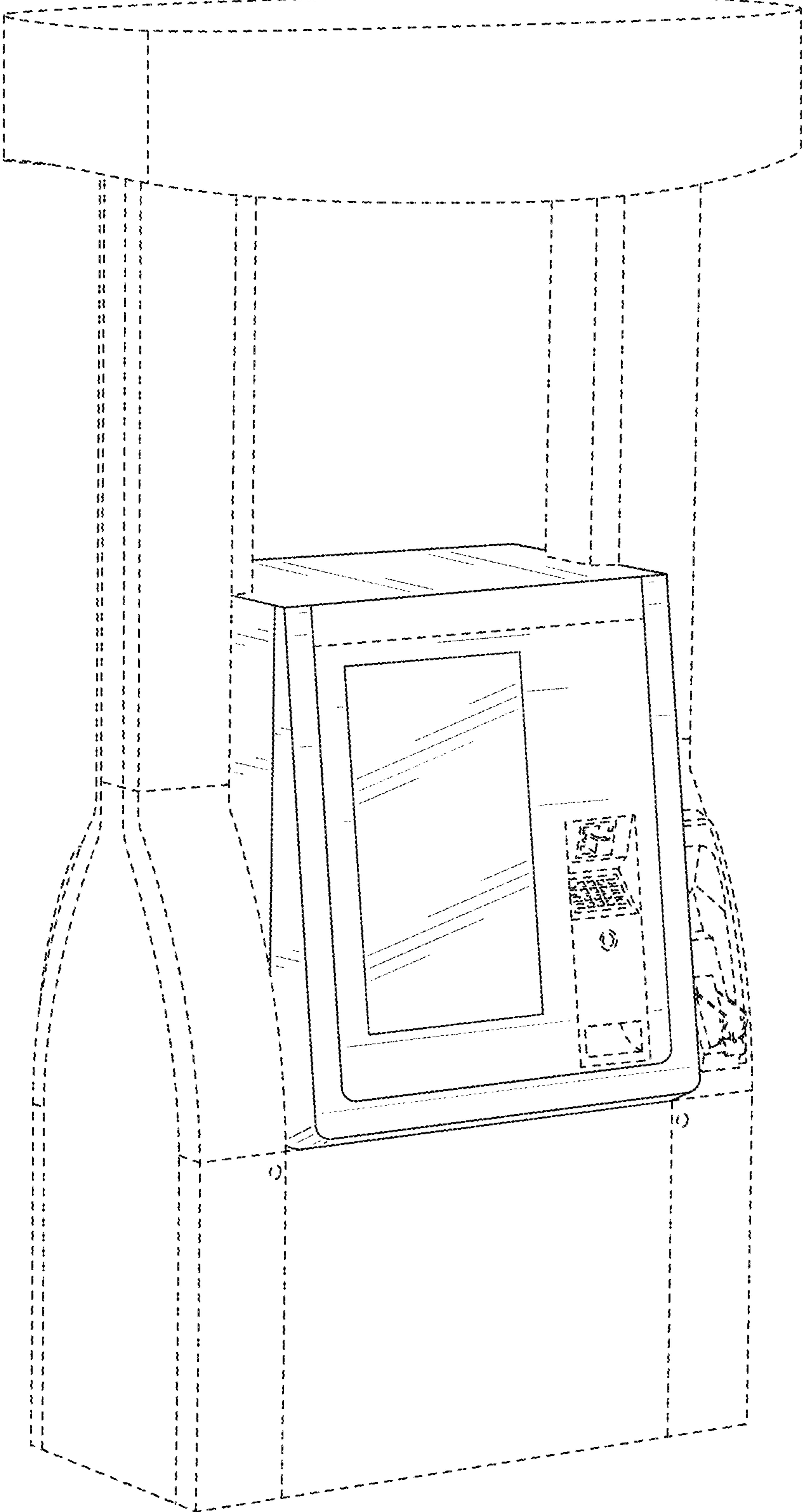


FIG. 1

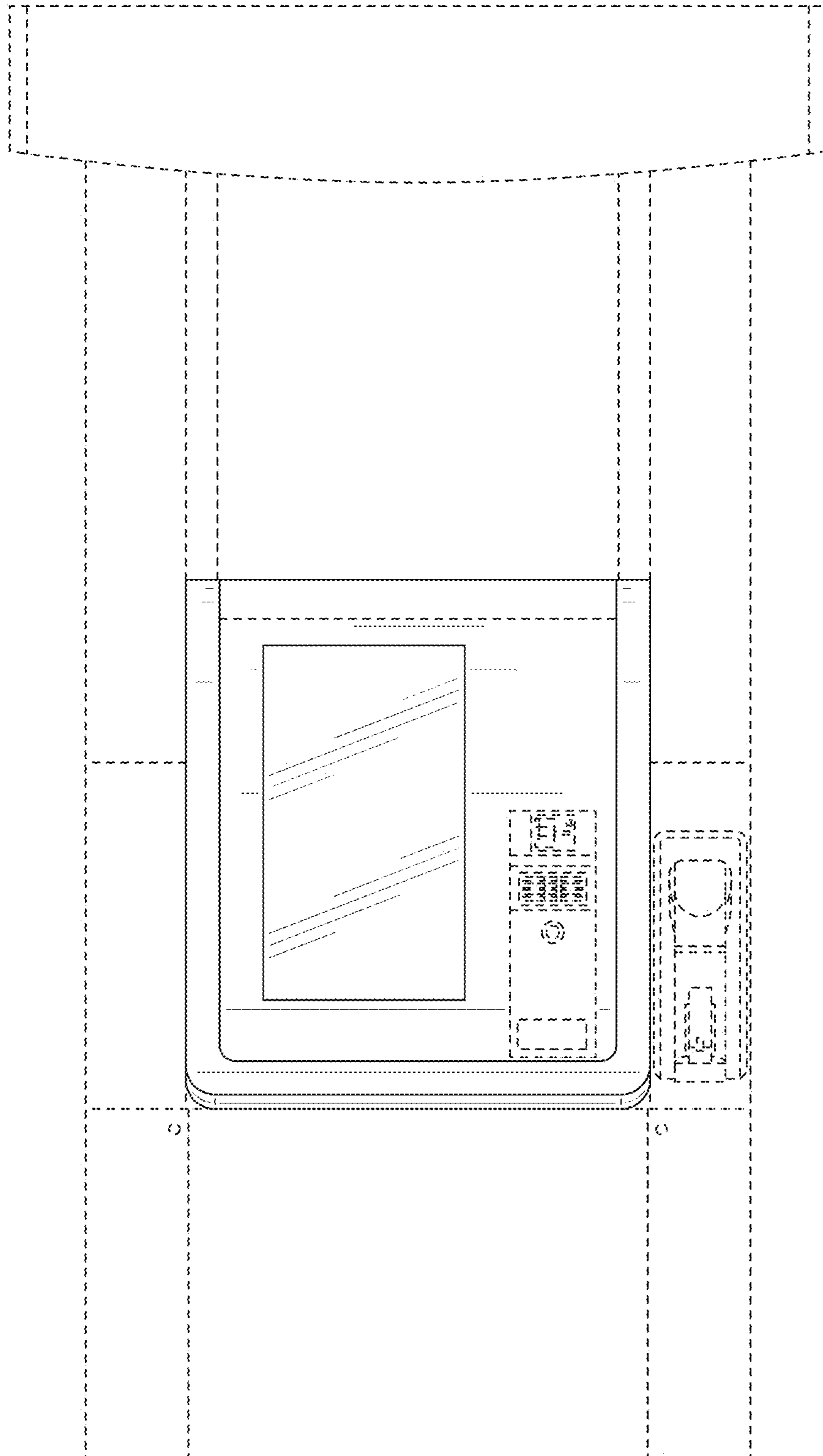


FIG. 2

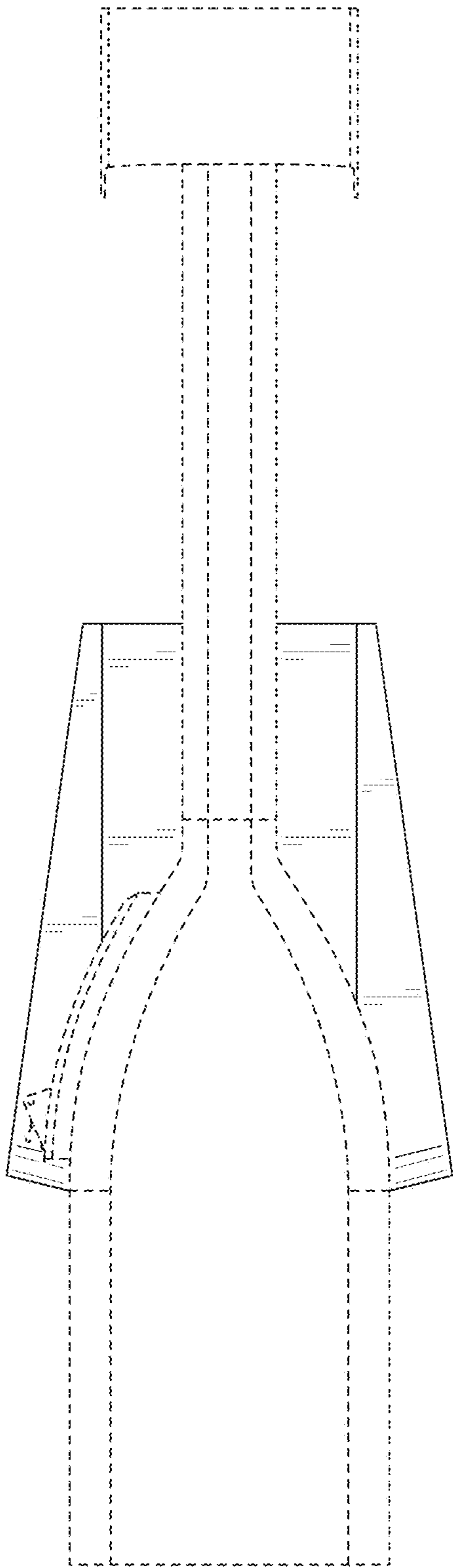


FIG. 3

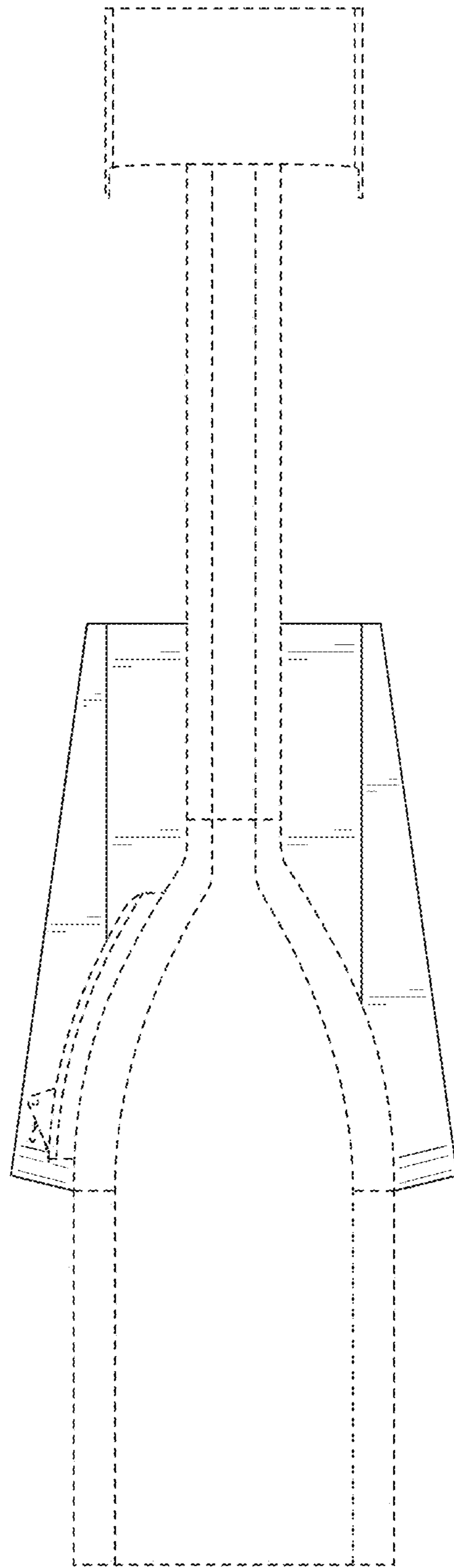


FIG. 4

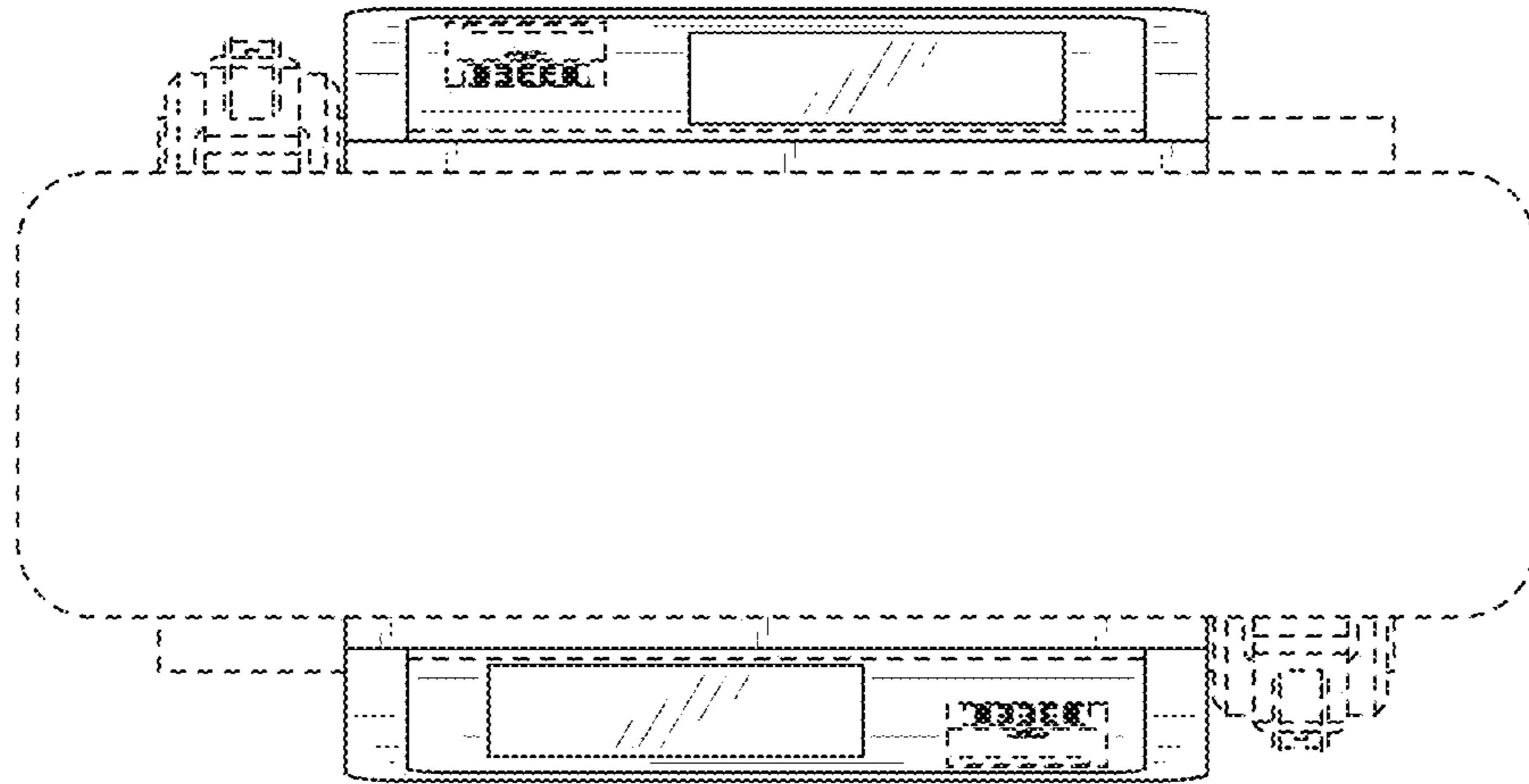


FIG. 5

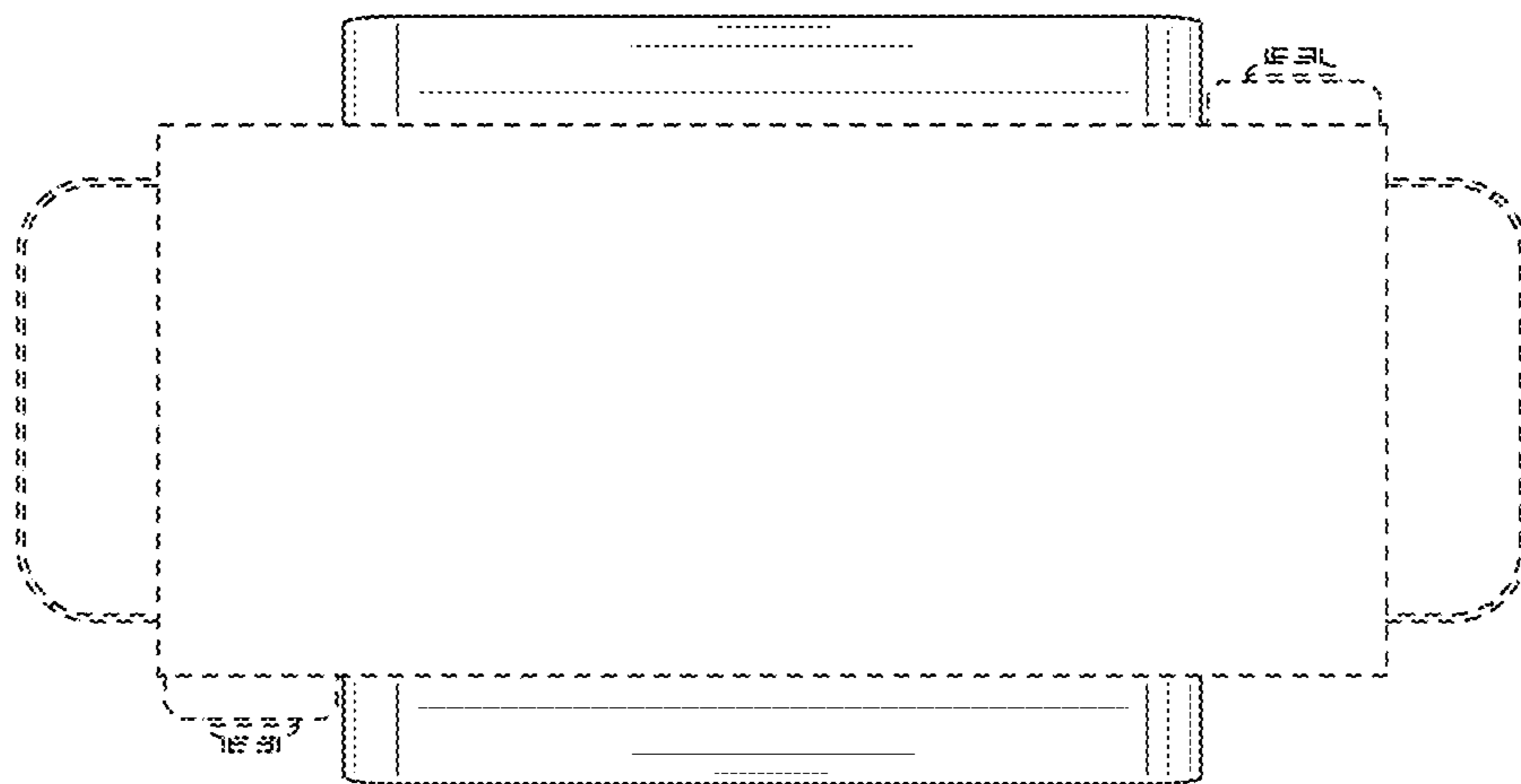


FIG. 6