



US00D897334S

(12) **United States Design Patent**
Peng

(10) **Patent No.:** **US D897,334 S**

(45) **Date of Patent:** **** Sep. 29, 2020**

(54) **PHONE MOUNT**

(71) Applicant: **Shasha Li, Xi'An (CN)**

(72) Inventor: **Zhihua Peng, Shangluo (CN)**

(73) Assignee: **Shasha Li, Xi'An (CN)**

(**) Term: **15 Years**

(21) Appl. No.: **29/735,853**

(22) Filed: **May 26, 2020**

(51) **LOC (12) Cl.** **14-03**

(52) **U.S. Cl.**
USPC **D14/253**

(58) **Field of Classification Search**
USPC D14/251-253, 447, 452, 432-434, 440;
D12/415; D3/218; D8/349, 363
CPC H04M 1/02; H04M 1/04; B60R 11/02;
F16M 11/00; F16M 11/04; F16M 11/06;
F16M 13/02; F16M 13/00; H05K 7/00;
H05K 5/02; A47G 1/17
See application file for complete search history.

(56) **References Cited**

U.S. PATENT DOCUMENTS

D411,543 S *	6/1999	Richter	D14/253
D685,379 S *	7/2013	Richter	D14/447
D716,215 S *	10/2014	Dunn	D12/415
D750,612 S *	3/2016	Chen	D14/253
D773,449 S	12/2016	Pedersen		
D784,923 S *	4/2017	Song	D13/108
D833,369 S *	11/2018	Lan	D12/415

D854,537 S *	7/2019	Ackeret	D14/253
D862,454 S *	10/2019	Chun	D14/253
D864,185 S *	10/2019	Chen	D14/253
D875,090 S *	2/2020	Leeds-Frank	D14/253
D877,688 S *	3/2020	Liu	D12/415
D879,090 S *	3/2020	Chung	D14/253
D879,766 S *	3/2020	Fan	D14/253
D881,182 S	4/2020	Zhang		
D881,200 S *	4/2020	Leeds-Frank	D14/447
D881,869 S *	4/2020	Pan	D14/253
D883,274 S *	5/2020	Liu	D14/253
D887,417 S *	6/2020	Yarbough	D14/447
D889,454 S *	7/2020	Liu	D14/253
D892,787 S *	8/2020	Chen	D14/253

* cited by examiner

Primary Examiner — Janice Hallmark

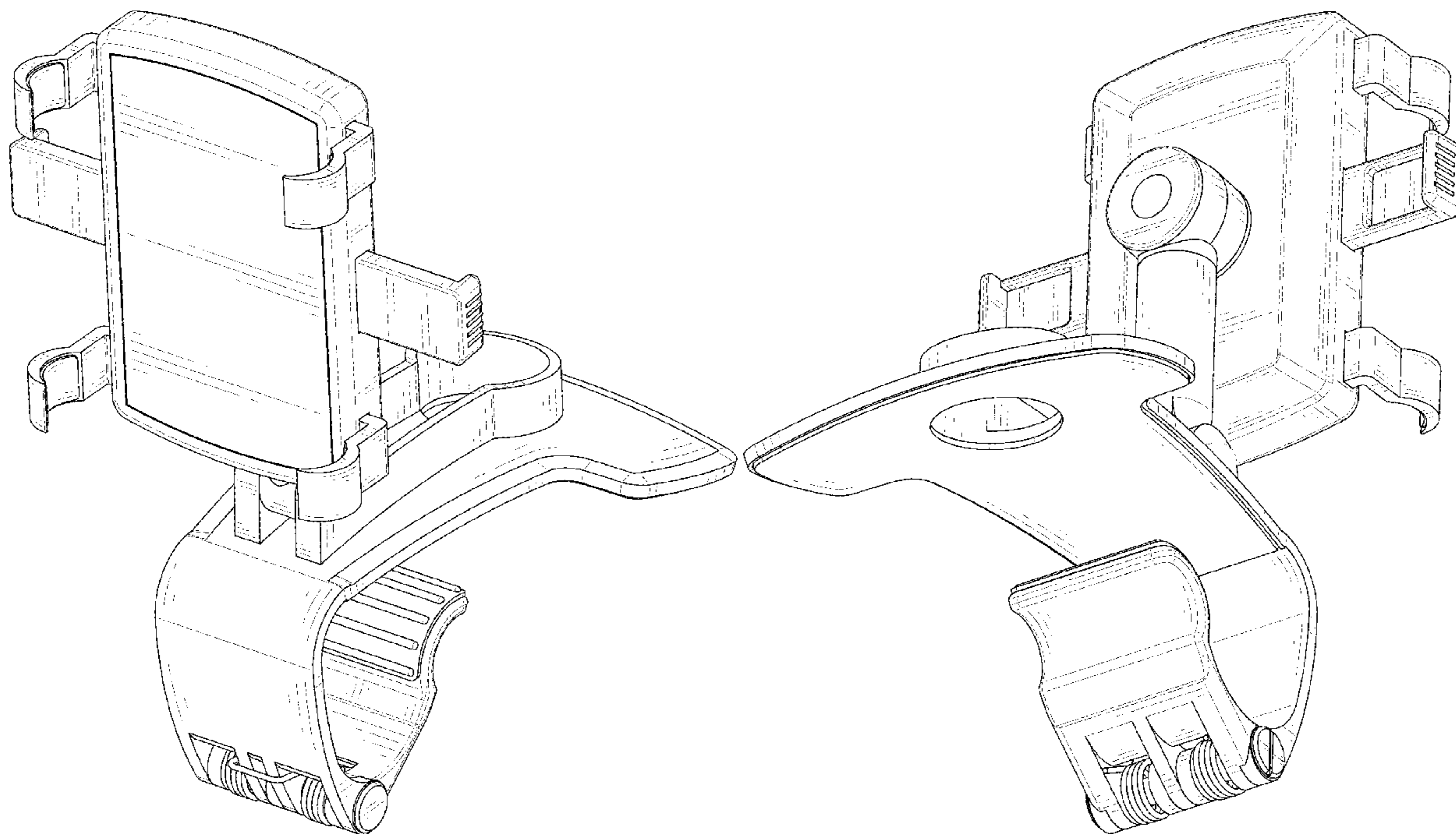
(57) **CLAIM**

The ornamental design for a phone mount, as shown and described.

DESCRIPTION

FIG. 1 is a perspective view of a phone mount showing my new design;
FIG. 2 is another perspective view thereof;
FIG. 3 is a front elevational view thereof;
FIG. 4 is a rear elevational view thereof;
FIG. 5 is a left side elevational view thereof;
FIG. 6 is a right side elevational view thereof;
FIG. 7 is a top plan view thereof; and,
FIG. 8 is a bottom plan view thereof.
The broken lines in the drawings depict portions of the phone mount that form no part of the claimed design.

1 Claim, 8 Drawing Sheets



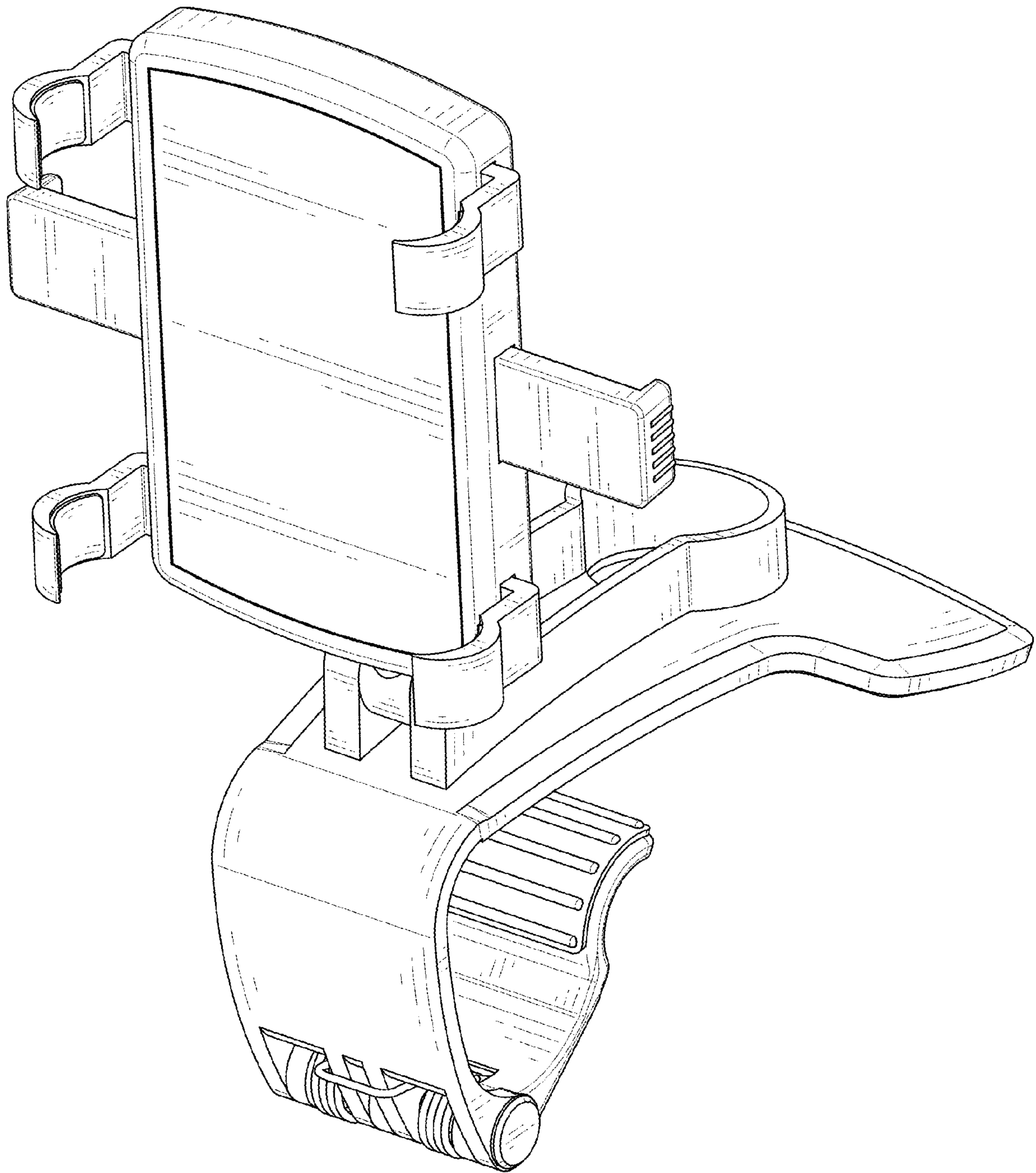


FIG. 1

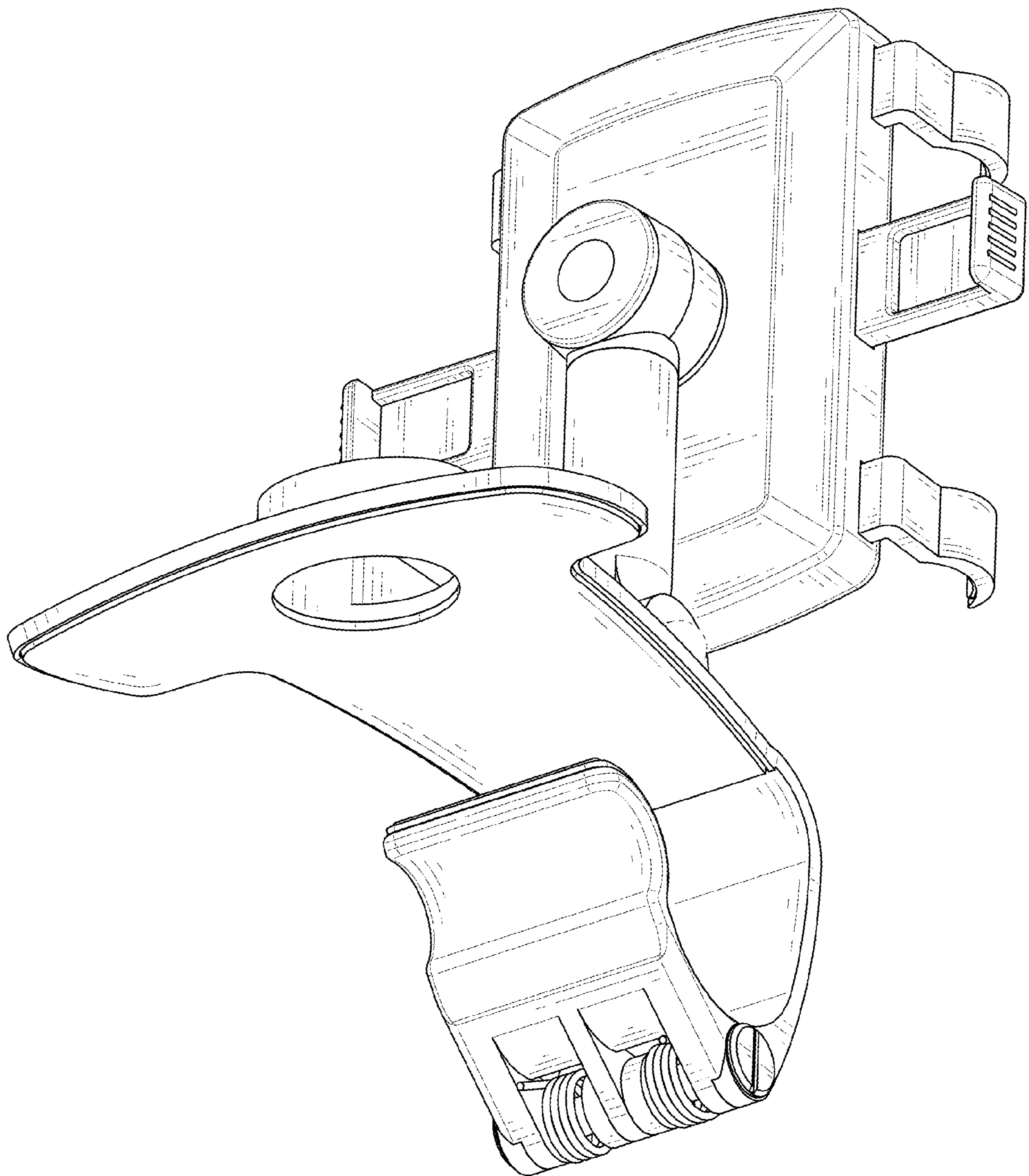


FIG. 2

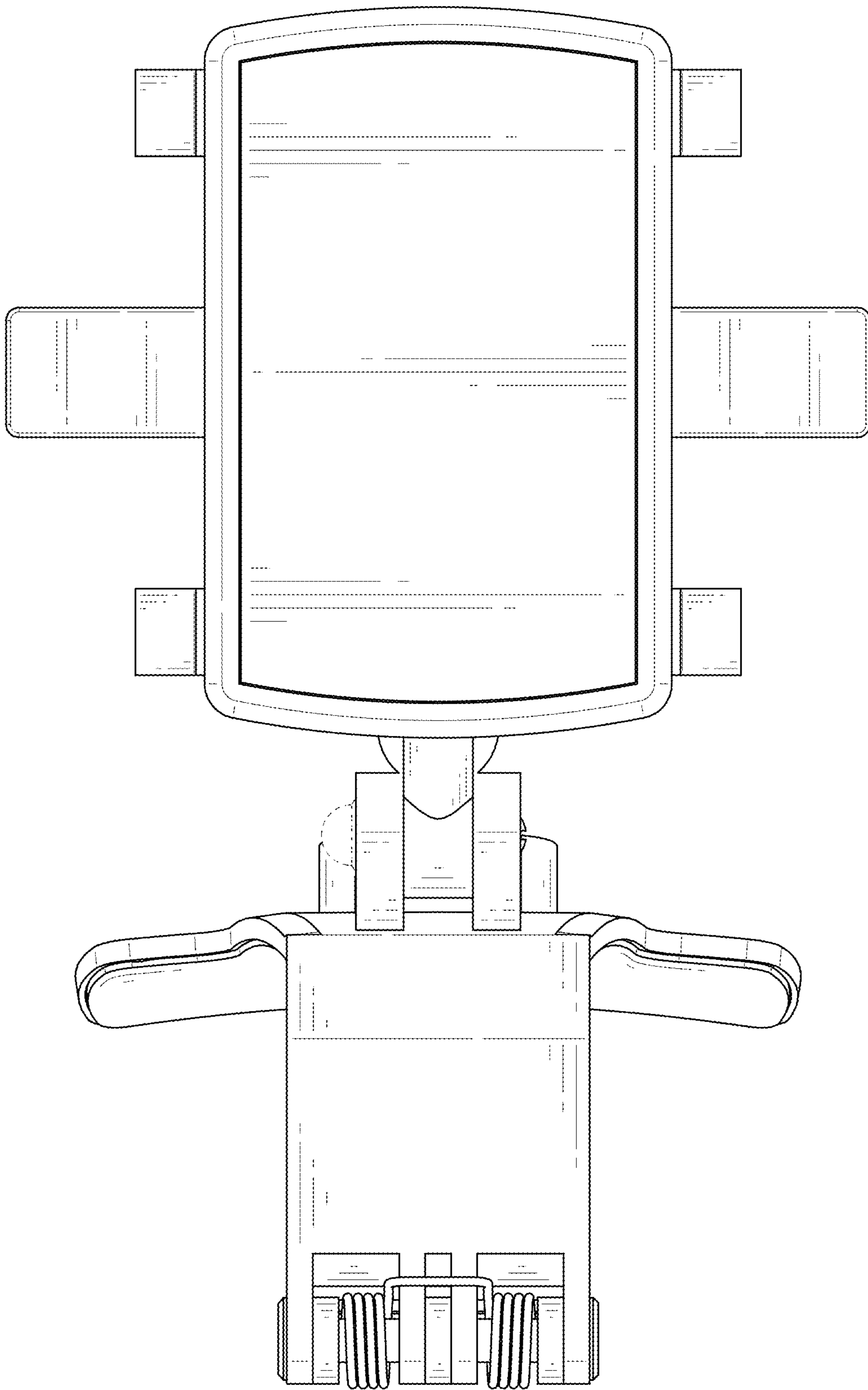


FIG. 3

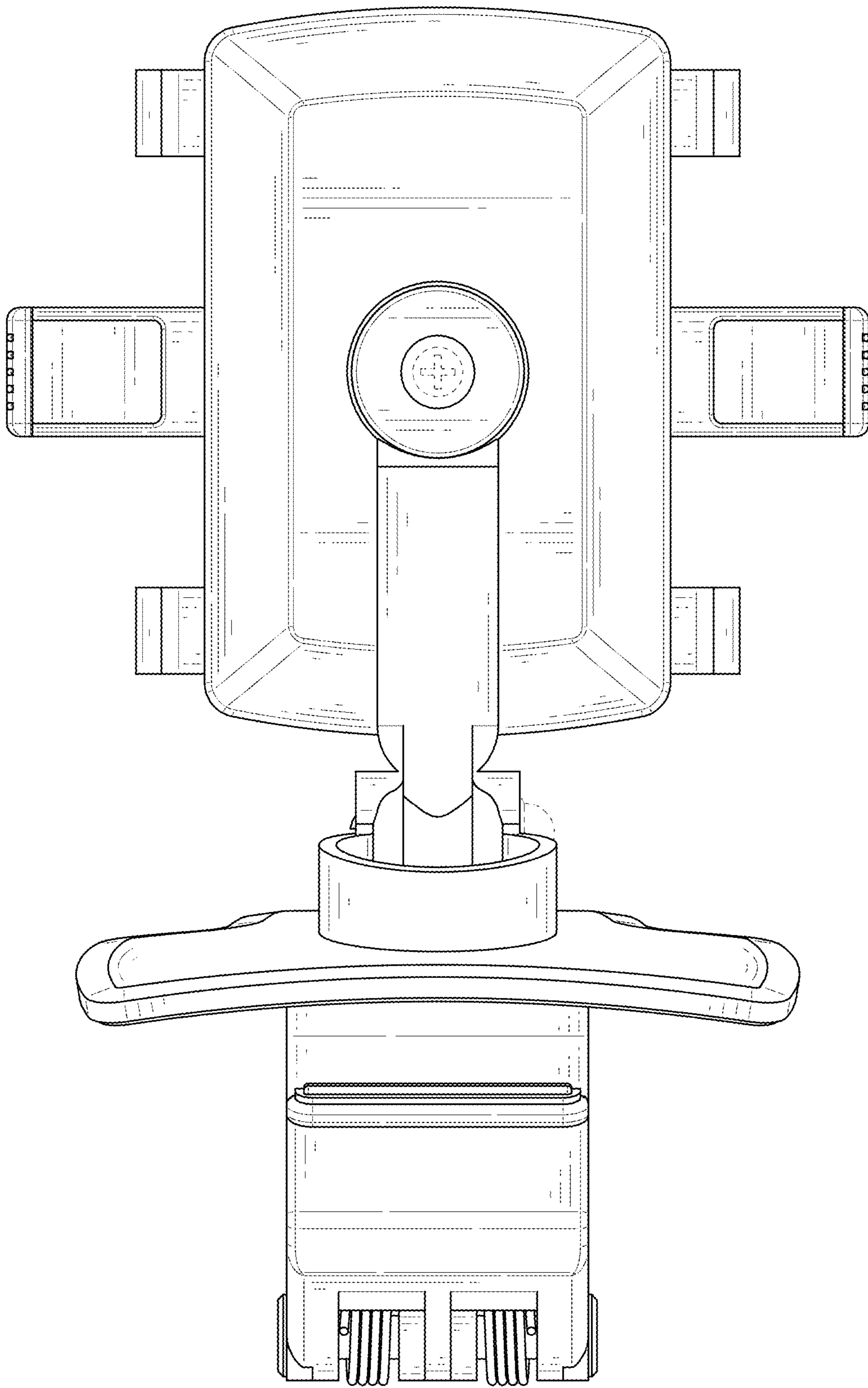


FIG. 4

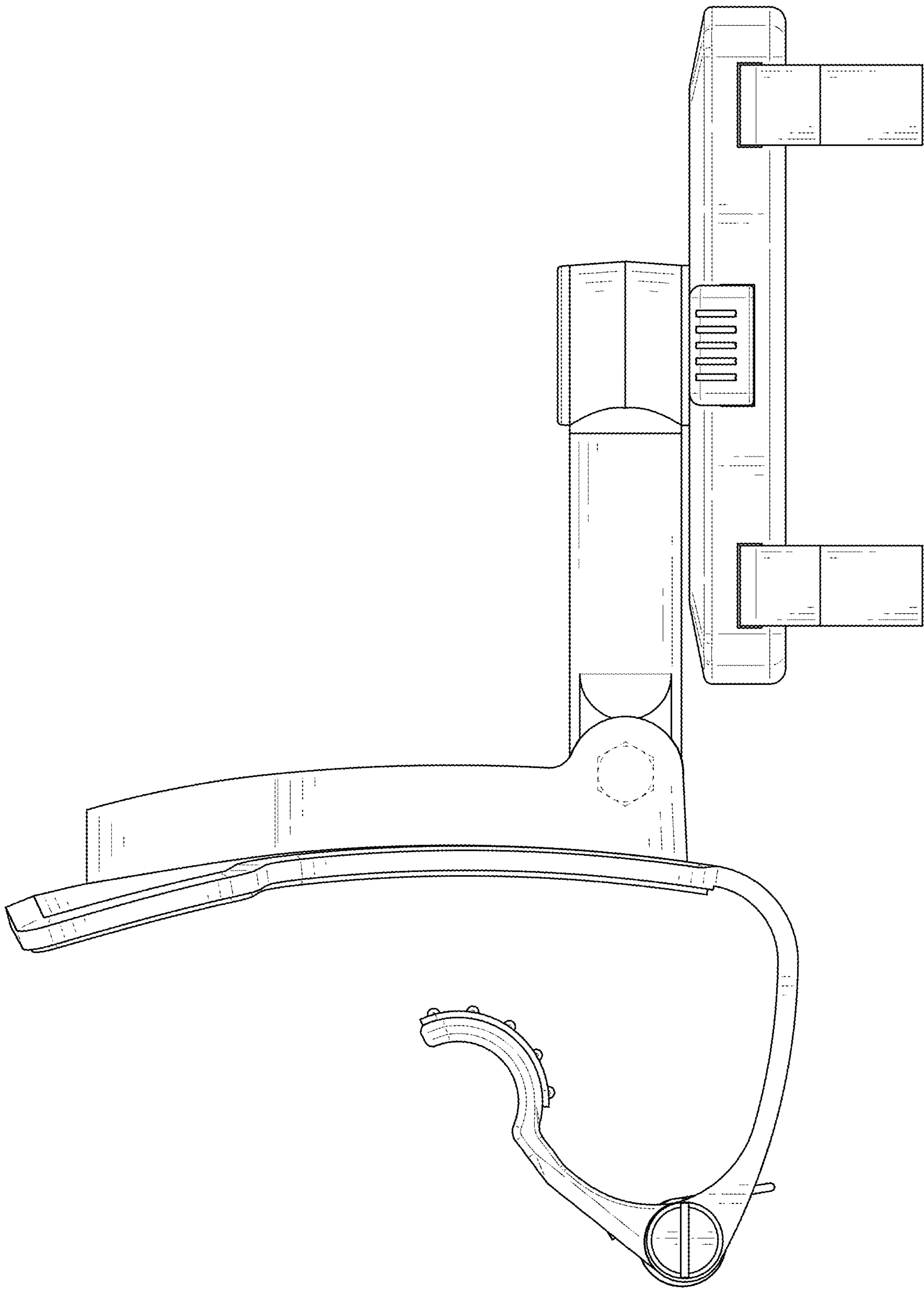


FIG. 5

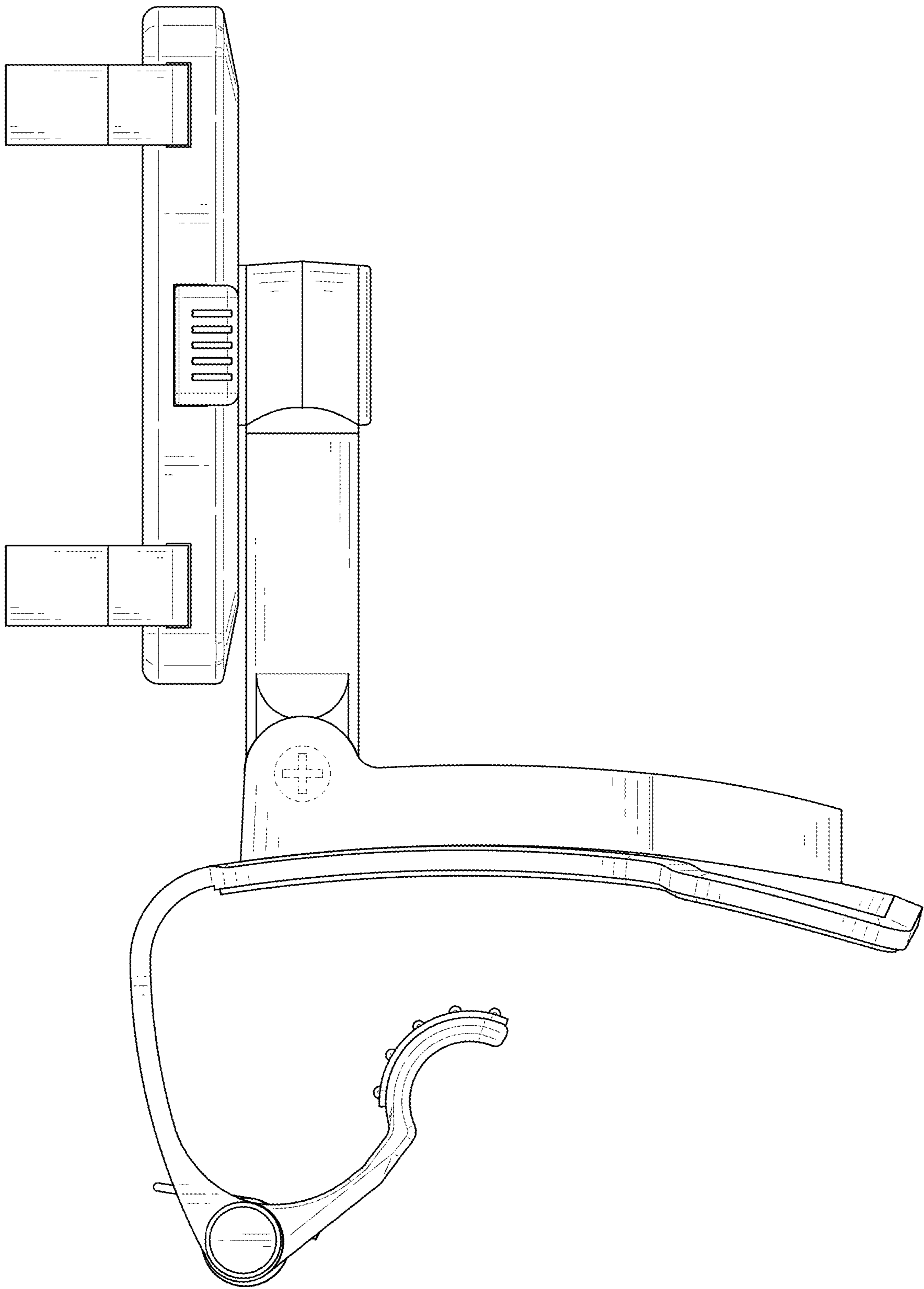


FIG. 6

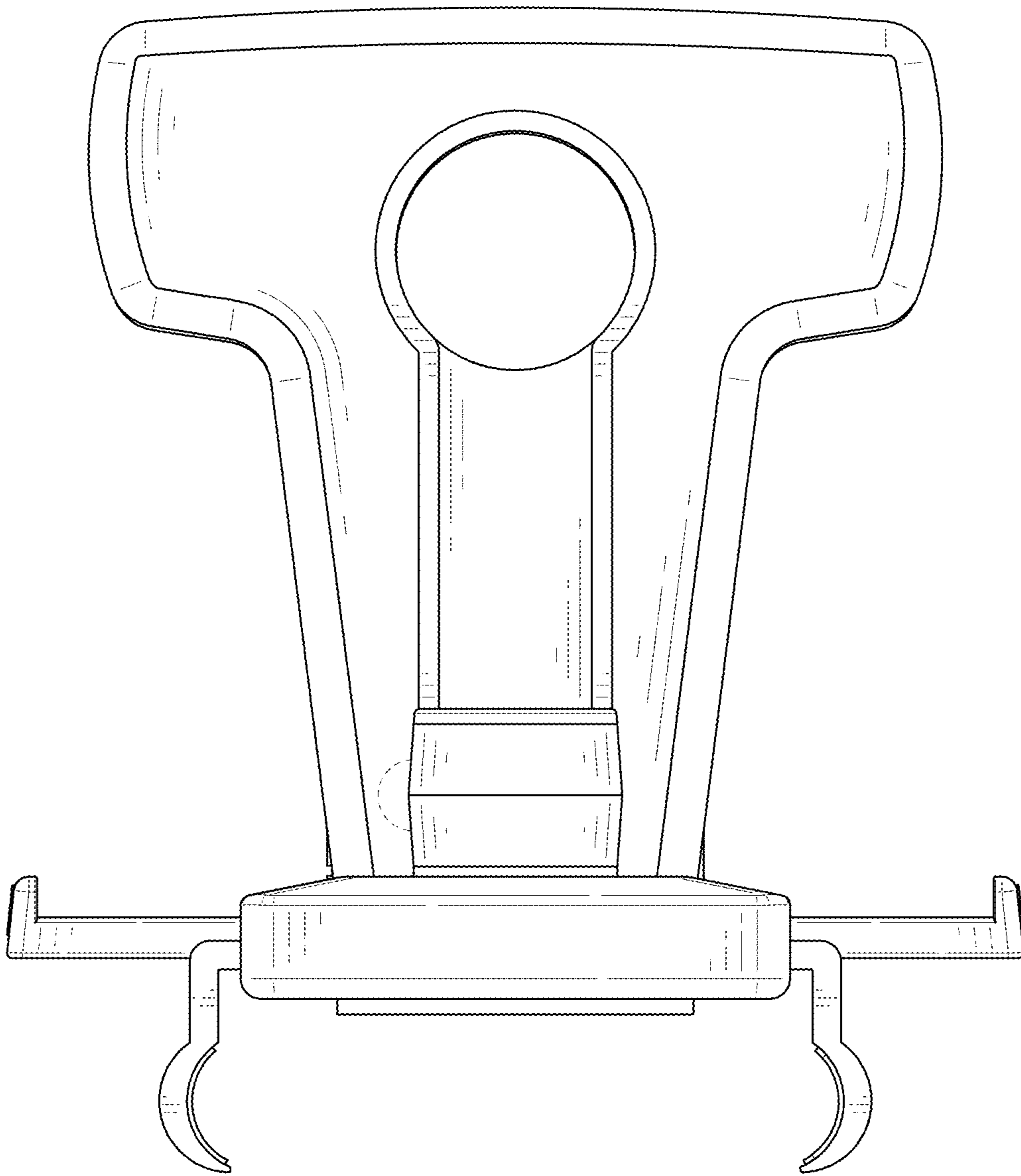


FIG. 7

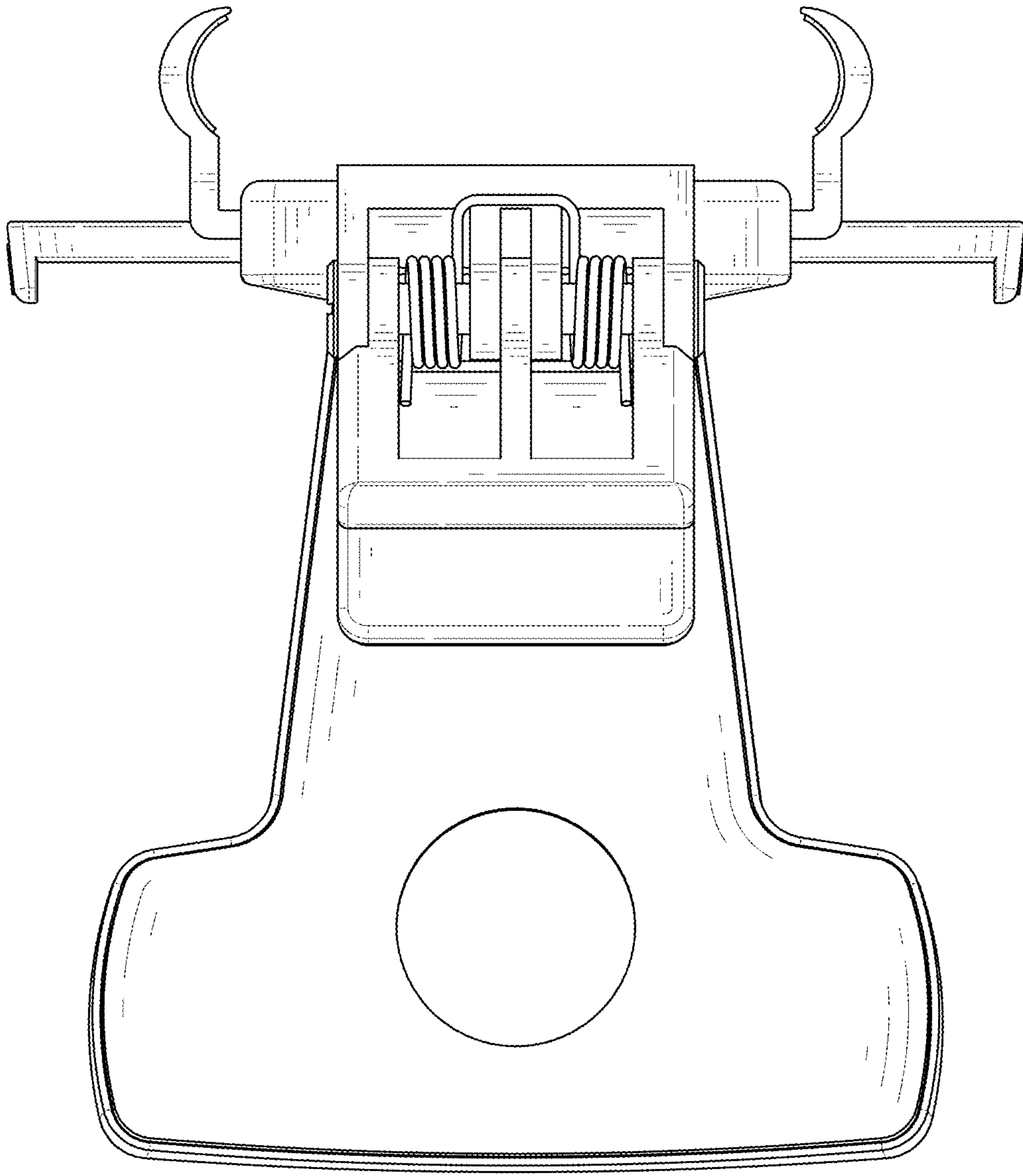


FIG. 8