



US00D897333S

(12) **United States Design Patent**
Liao

(10) **Patent No.:** **US D897,333 S**

(45) **Date of Patent:** **** Sep. 29, 2020**

(54) **MOBILE PHONE STAND**

(71) Applicant: **Dongguan Chuang Long Electronics Limited, Dongguan (CN)**

(72) Inventor: **Anzhang Liao, Dongguan (CN)**

(**) Term: **15 Years**

(21) Appl. No.: **29/697,049**

(22) Filed: **Jul. 3, 2019**

(51) **LOC (12) Cl.** **14-03**

(52) **U.S. Cl.**
USPC **D14/253**

(58) **Field of Classification Search**

USPC D14/251–253, 447, 452, 432–434, 440;
D8/349, 363; D12/415; D3/218
CPC H04M 1/02; H04M 1/04; B60R 11/02;
F16M 11/00; F16M 11/04; F16M 11/06;
F16M 13/02; F16M 13/00; H05K 7/00;
H05K 5/02; A47G 1/17
See application file for complete search history.

(56) **References Cited**

U.S. PATENT DOCUMENTS

D685,379 S * 7/2013 Richter D14/447
D718,297 S * 11/2014 Aspinall D14/253
D732,013 S * 6/2015 Aspinall D14/253
D752,571 S * 3/2016 Richter D14/253
D784,923 S * 4/2017 Song D13/108
D817,317 S * 5/2018 Lee D14/253
D832,248 S * 10/2018 Sukphist D14/253

D833,369 S * 11/2018 Lan D12/415
D839,868 S * 2/2019 Lee D14/253
D864,186 S * 10/2019 Du D14/253
D875,090 S * 2/2020 Leeds-Frank D14/253
D877,688 S * 3/2020 Liu D12/415
D879,766 S * 3/2020 Fan D14/253
D881,200 S * 4/2020 Leeds-Frank D14/447
D887,417 S * 6/2020 Yarbough D14/447
D889,454 S * 7/2020 Liu D14/253
2012/0267406 A1 * 10/2012 Fan B60R 11/02
224/482

* cited by examiner

Primary Examiner — Janice Hallmark
(74) *Attorney, Agent, or Firm* — W&K IP

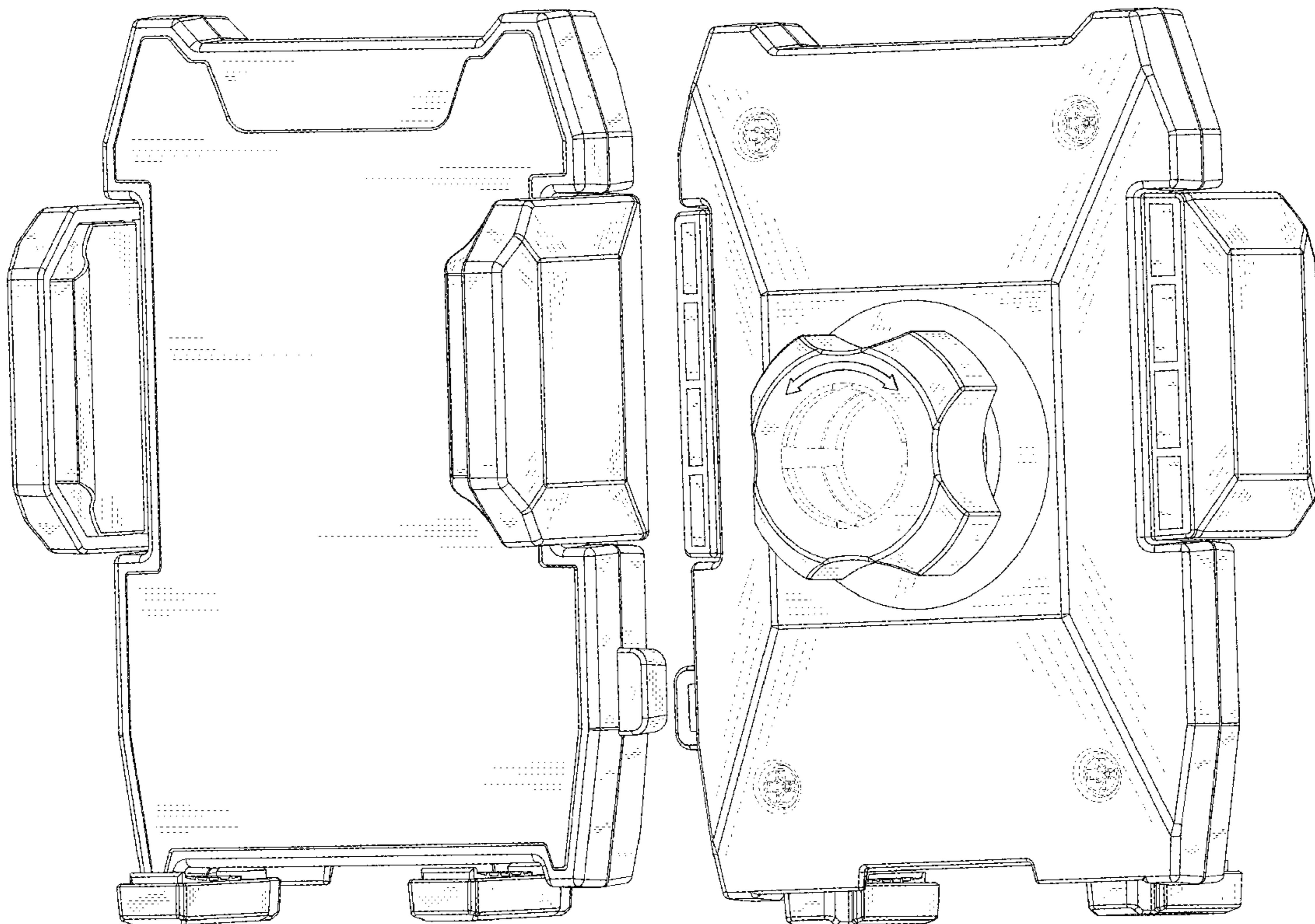
(57) **CLAIM**

The ornamental design for a mobile phone stand, as shown and described.

DESCRIPTION

FIG. 1 is a perspective view of a mobile phone stand showing my new design;
FIG. 2 is second perspective view thereof;
FIG. 3 is a front view thereof;
FIG. 4 is a rear view thereof;
FIG. 5 is a left side view thereof;
FIG. 6 is a right side view thereof;
FIG. 7 is a top plan view thereof; and,
FIG. 8 is a bottom plan view thereof.
The broken lines in the drawings are for the purpose of illustrating portions of the mobile phone stand that form no part of the claimed design.

1 Claim, 8 Drawing Sheets



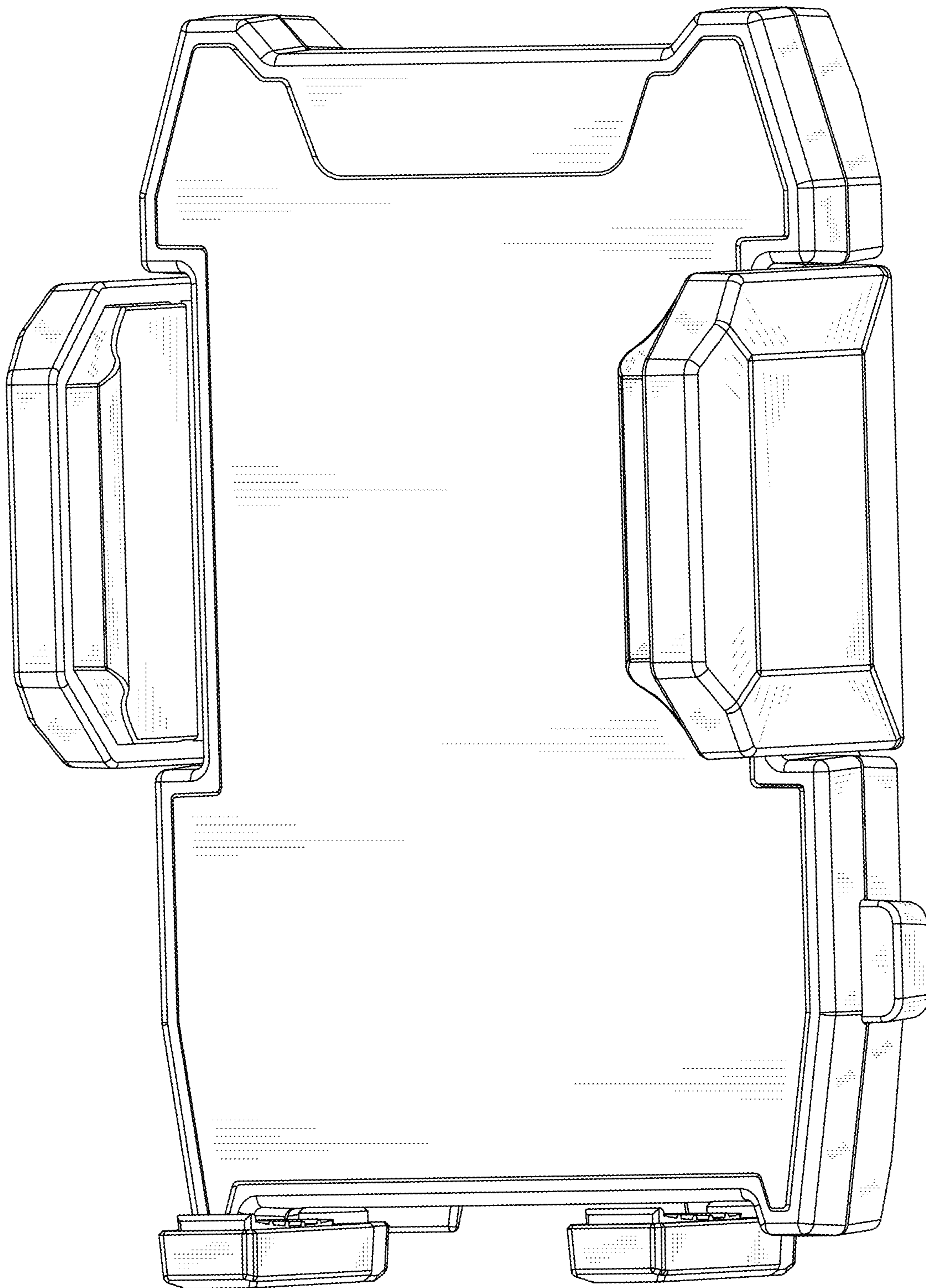


FIG. 1

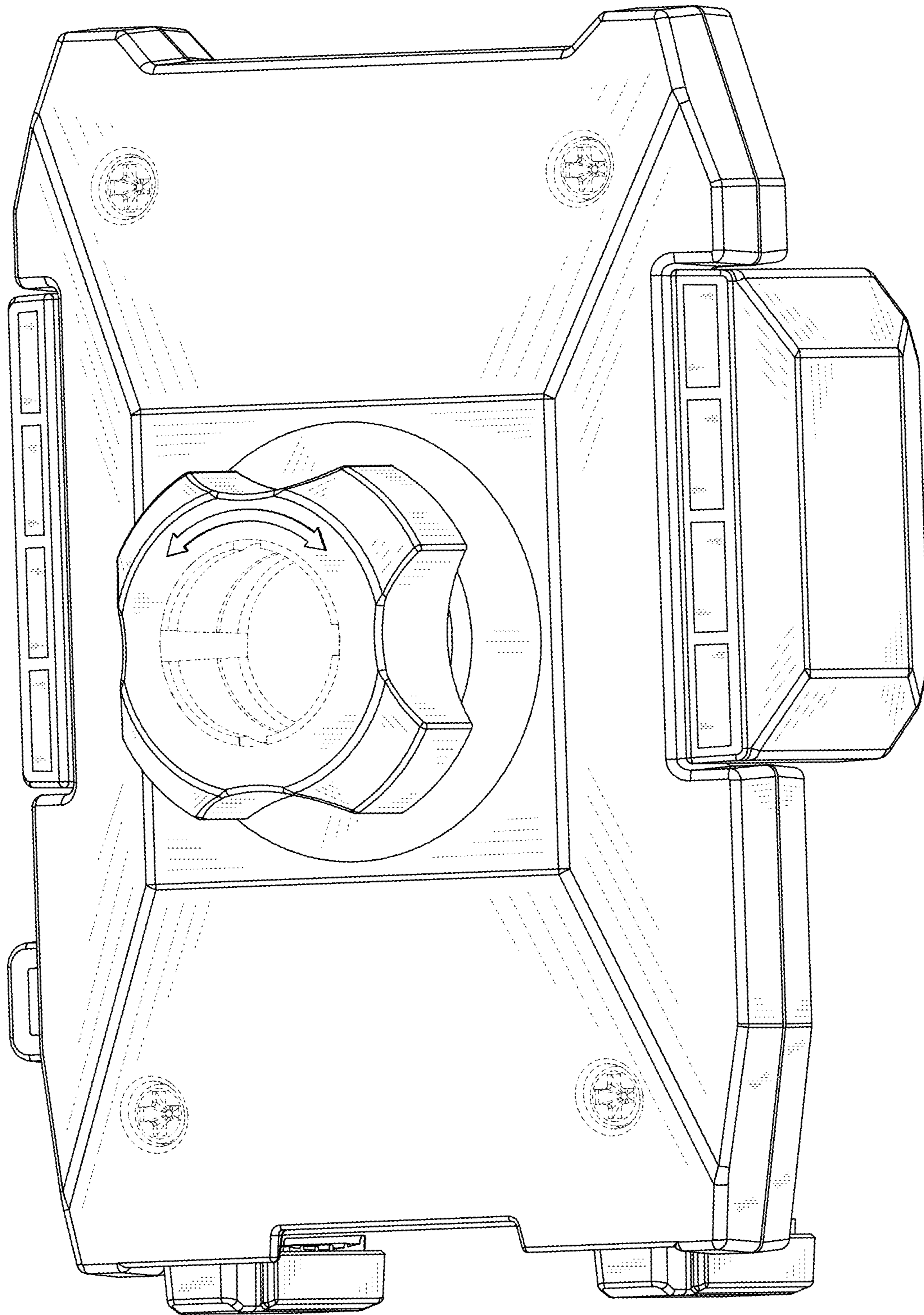


FIG.2

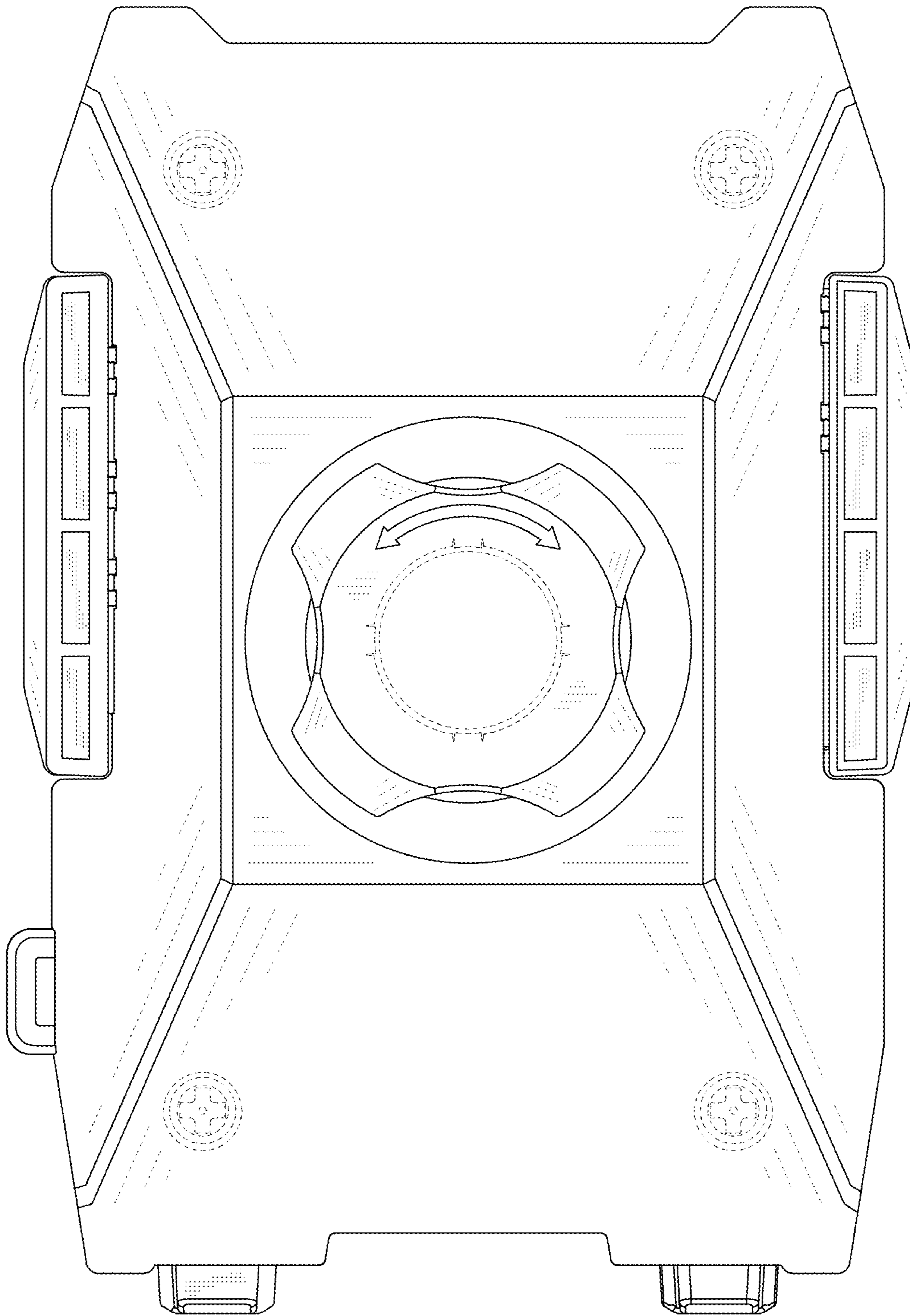


FIG. 3

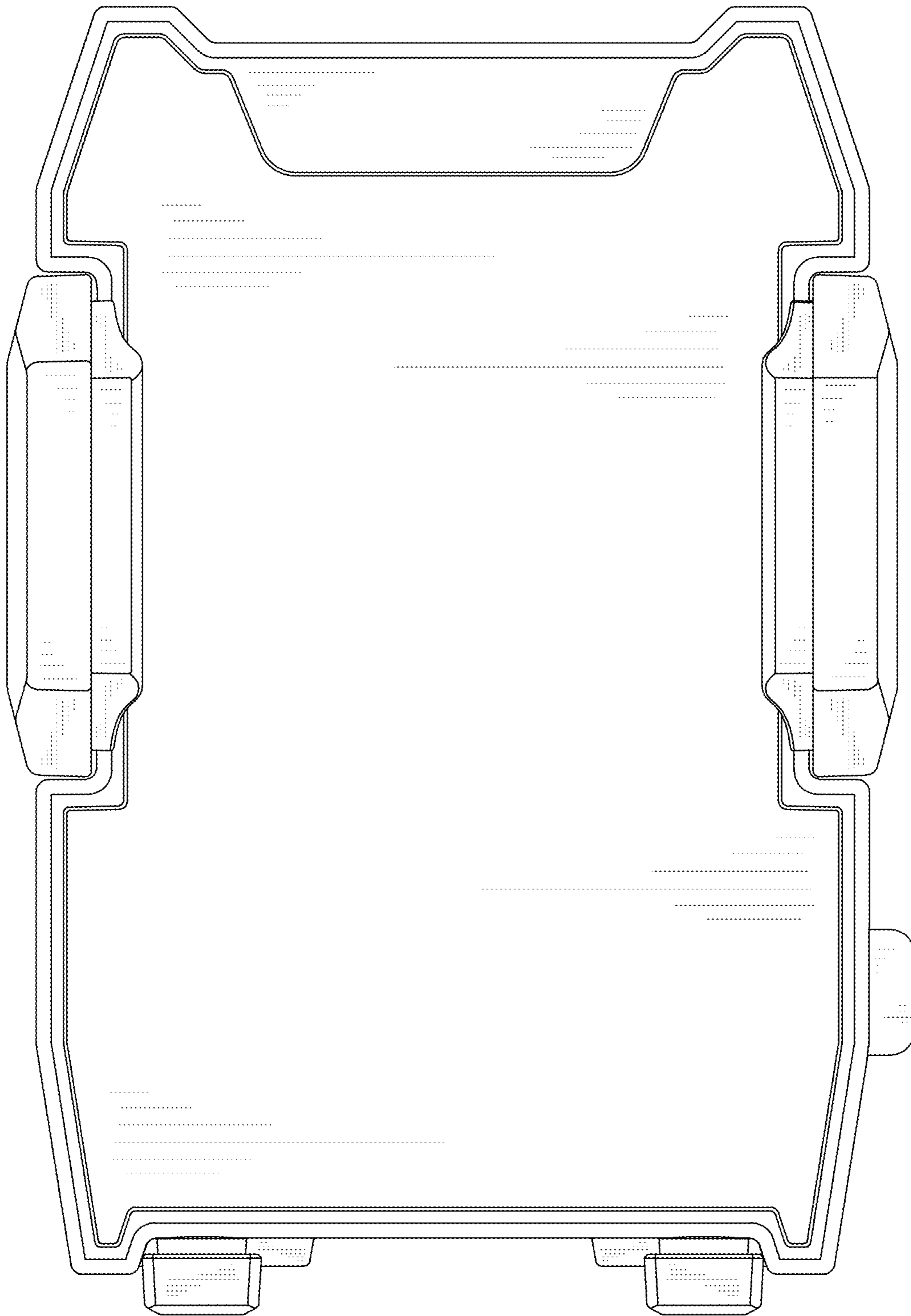


FIG. 4

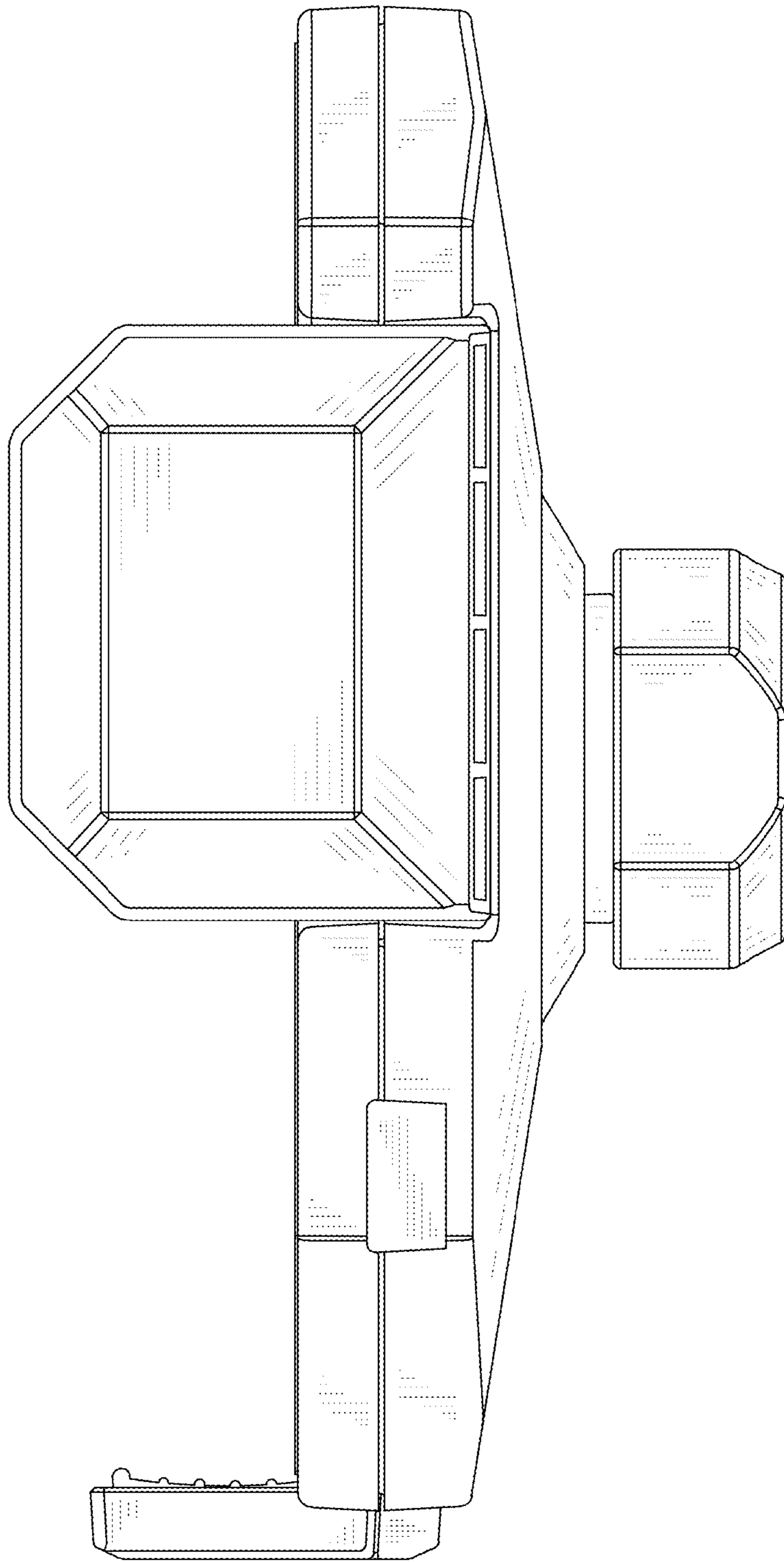


FIG. 5

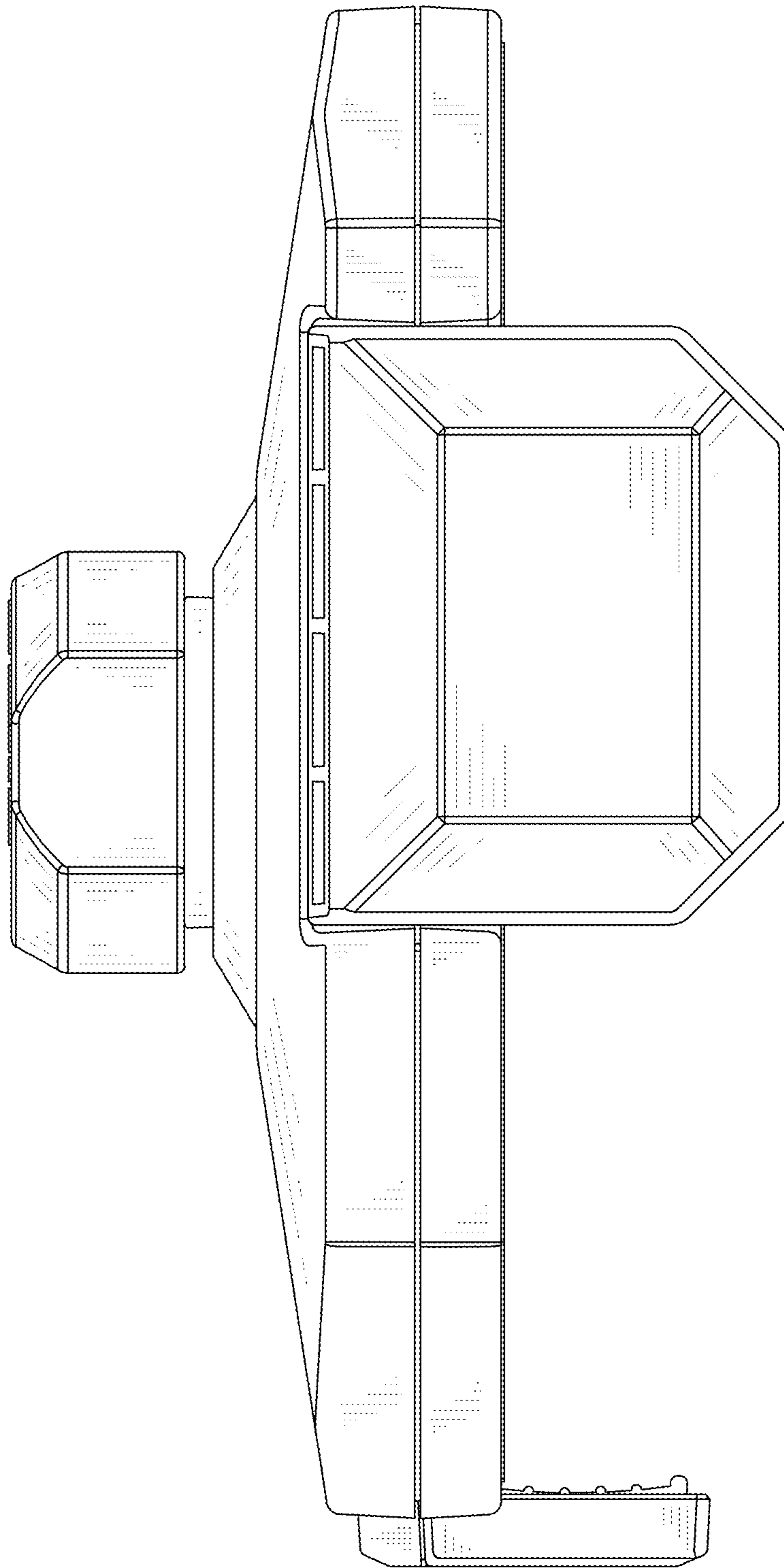


FIG. 6

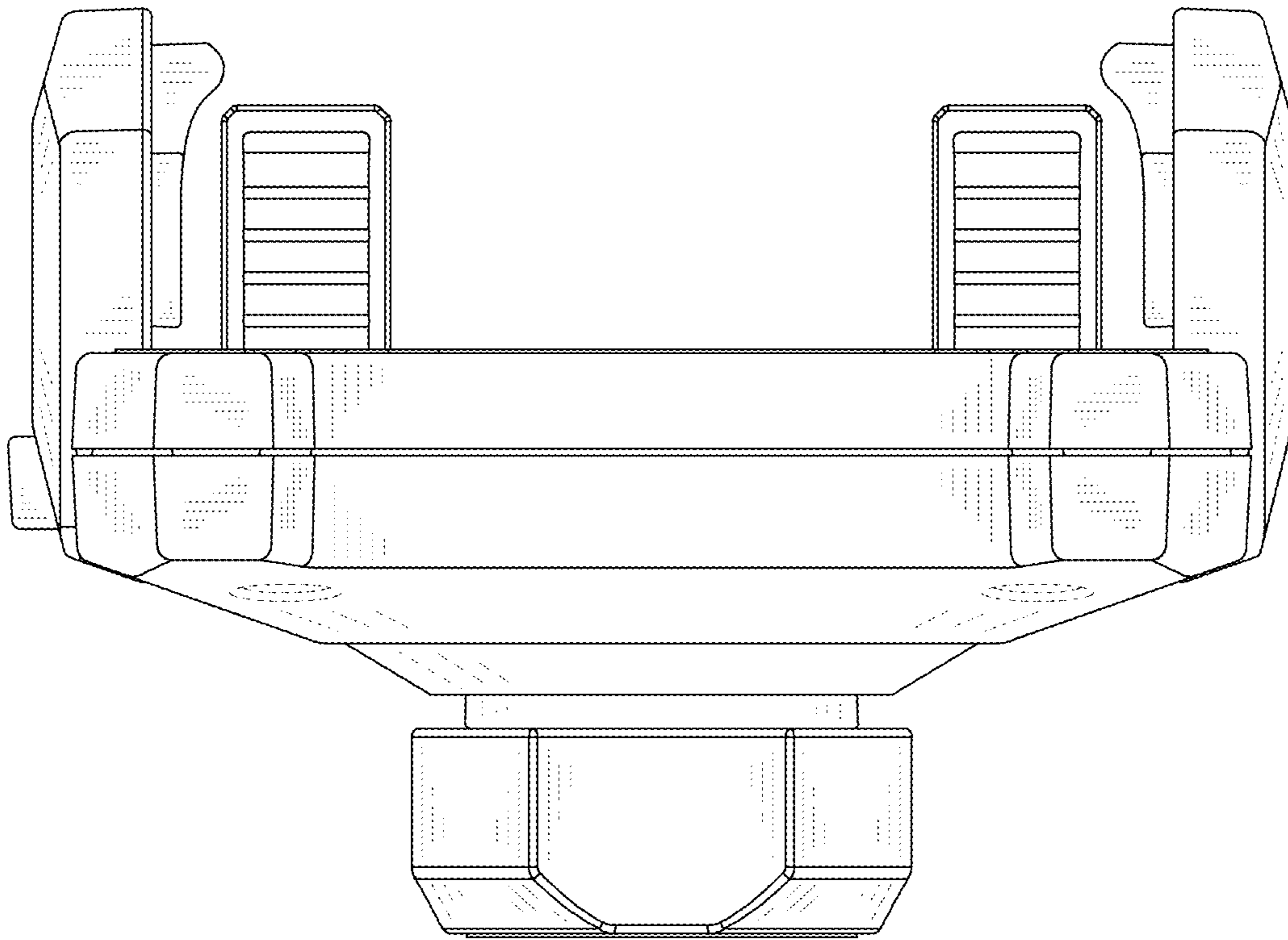


FIG. 7

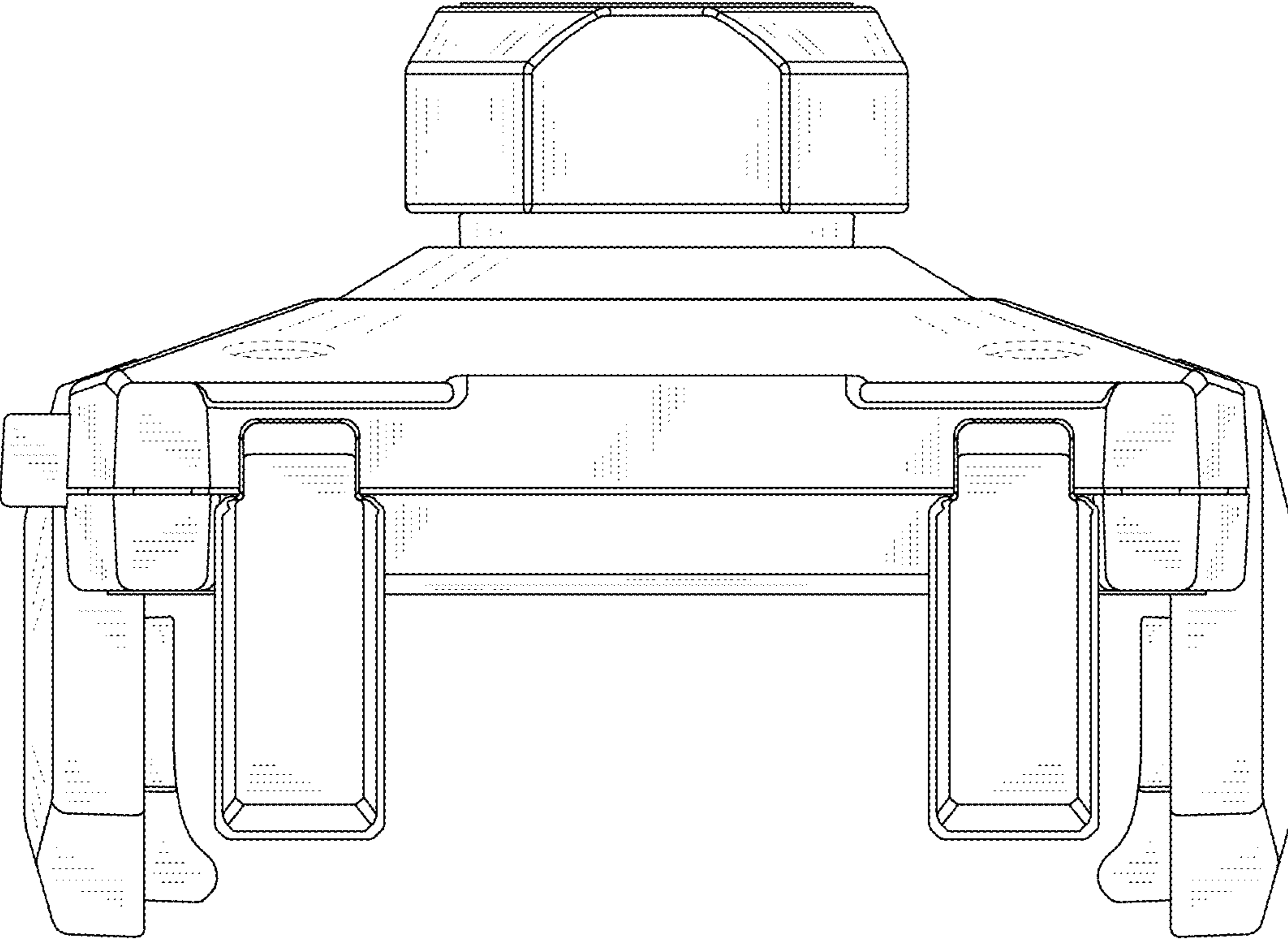


FIG. 8