

US00D897332S

(12) **United States Design Patent**  
**Zhang et al.**

(10) **Patent No.:** **US D897,332 S**

(45) **Date of Patent:** **\*\* Sep. 29, 2020**

(54) **MOBILE PHONE HOLDER**

(71) Applicant: **Ugreen Group Limited**, Shenzhen (CN)

(72) Inventors: **Qingsen Zhang**, Shenzhen (CN);  
**Junling Chen**, Shenzhen (CN);  
**Houling Wang**, Shenzhen (CN)

(\*\*) Term: **15 Years**

(21) Appl. No.: **29/659,807**

(22) Filed: **Aug. 13, 2018**

(30) **Foreign Application Priority Data**

Apr. 17, 2018 (CN) ..... 2018 3 0158334

(51) **LOC (12) Cl.** ..... **14-03**

(52) **U.S. Cl.**  
USPC ..... **D14/253; D3/218**

(58) **Field of Classification Search**

USPC ..... D14/251–253, 447, 452, 432–434, 440;  
D12/415; D3/218; D8/349, 363  
CPC ..... H04M 1/02; H04M 1/04; B60R 11/02;  
F16M 11/00; F16M 11/04; F16M 11/06  
See application file for complete search history.

(56) **References Cited**

**U.S. PATENT DOCUMENTS**

D644,428 S \* 9/2011 Feng ..... D3/218  
D691,991 S \* 10/2013 Mohan ..... D14/250

D770,171 S \* 11/2016 Lai ..... D14/253  
D840,388 S \* 2/2019 Wieth ..... D14/251  
D863,290 S \* 10/2019 Ormsbee ..... D14/253  
D864,092 S \* 10/2019 Zhang ..... D12/415  
D864,187 S \* 10/2019 Vogel ..... D14/253  
D881,868 S \* 4/2020 Zhang ..... D14/253  
D881,869 S \* 4/2020 Pan ..... D14/253  
D883,274 S \* 5/2020 Liu ..... D14/253  
2015/0201723 A1 \* 7/2015 Rayner ..... A45C 13/008  
224/191  
2019/0185094 A1 \* 6/2019 Vogel ..... F16B 1/00

\* cited by examiner

*Primary Examiner* — Janice Hallmark

(74) *Attorney, Agent, or Firm* — ZANIP

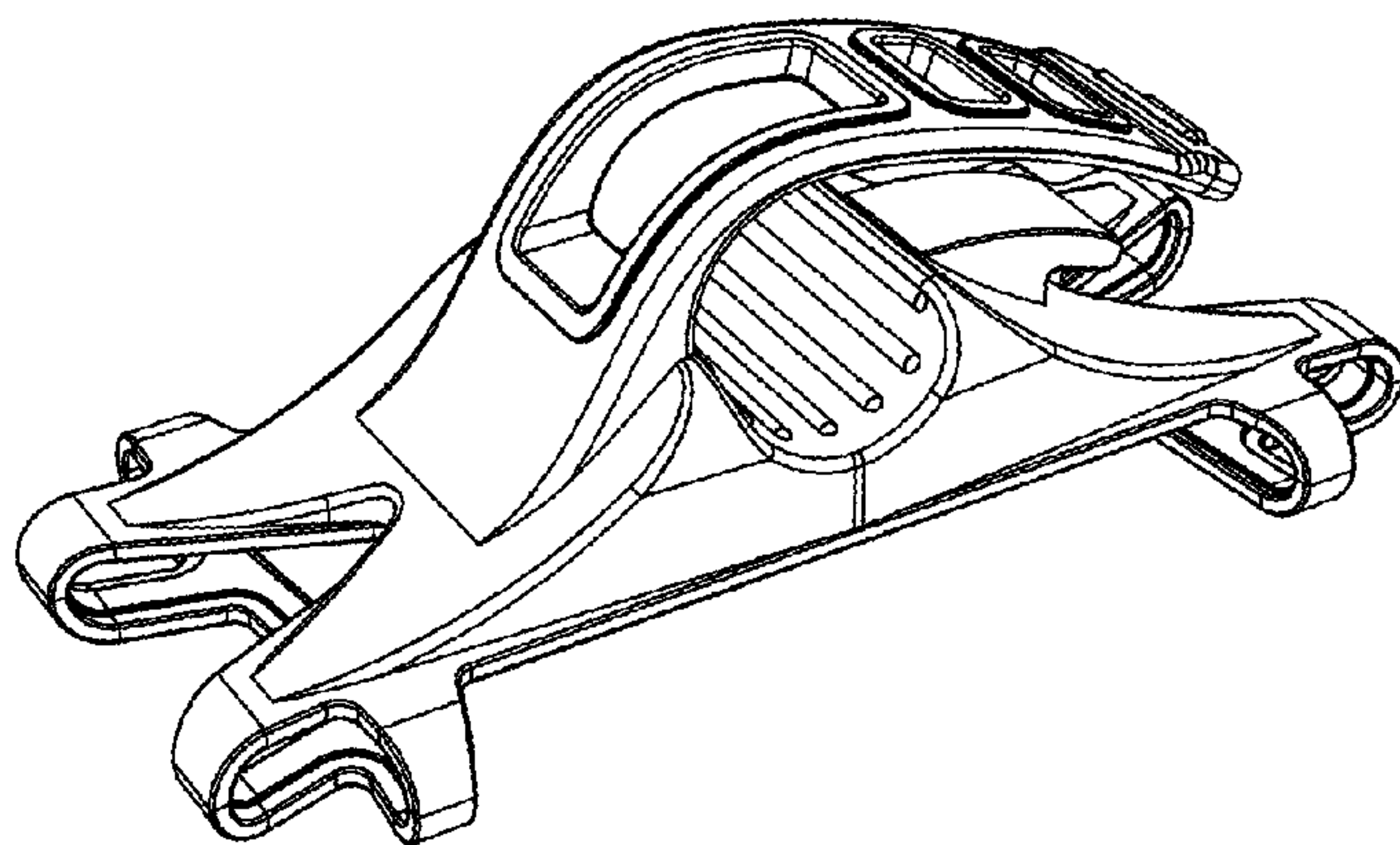
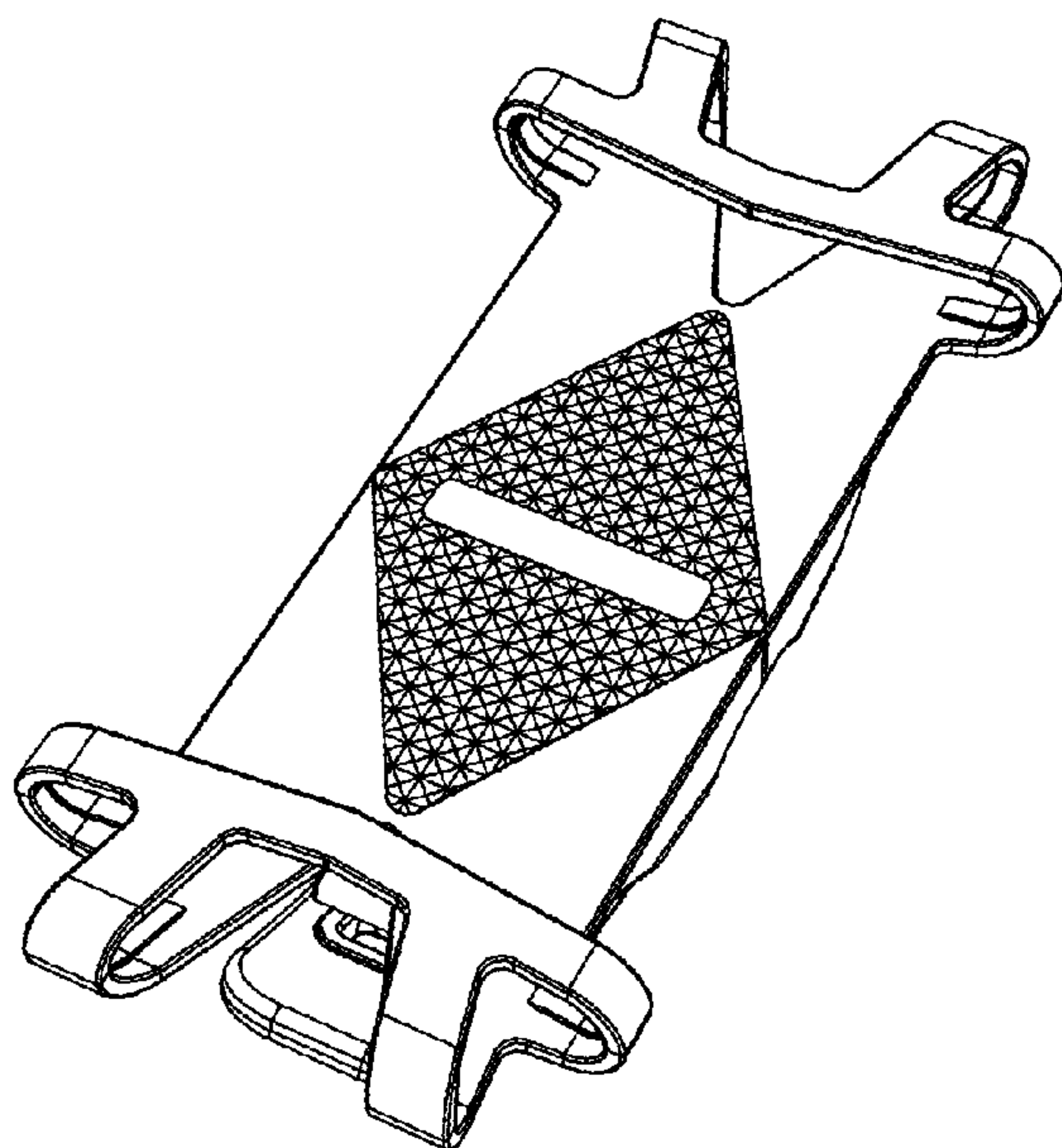
(57) **CLAIM**

The ornamental design for a mobile phone holder, as shown and described.

**DESCRIPTION**

FIG. 1 is a Front Perspective view of a mobile phone holder showing our new design;  
FIG. 2 is a Rear Perspective view thereof;  
FIG. 3 is a Front elevational view thereof;  
FIG. 4 is a Rear elevational view thereof;  
FIG. 5 is a Right side view thereof;  
FIG. 6 is a Left side view thereof;  
FIG. 7 is a Top plan view thereof; and,  
FIG. 8 is a Bottom plan view thereof.

**1 Claim, 8 Drawing Sheets**



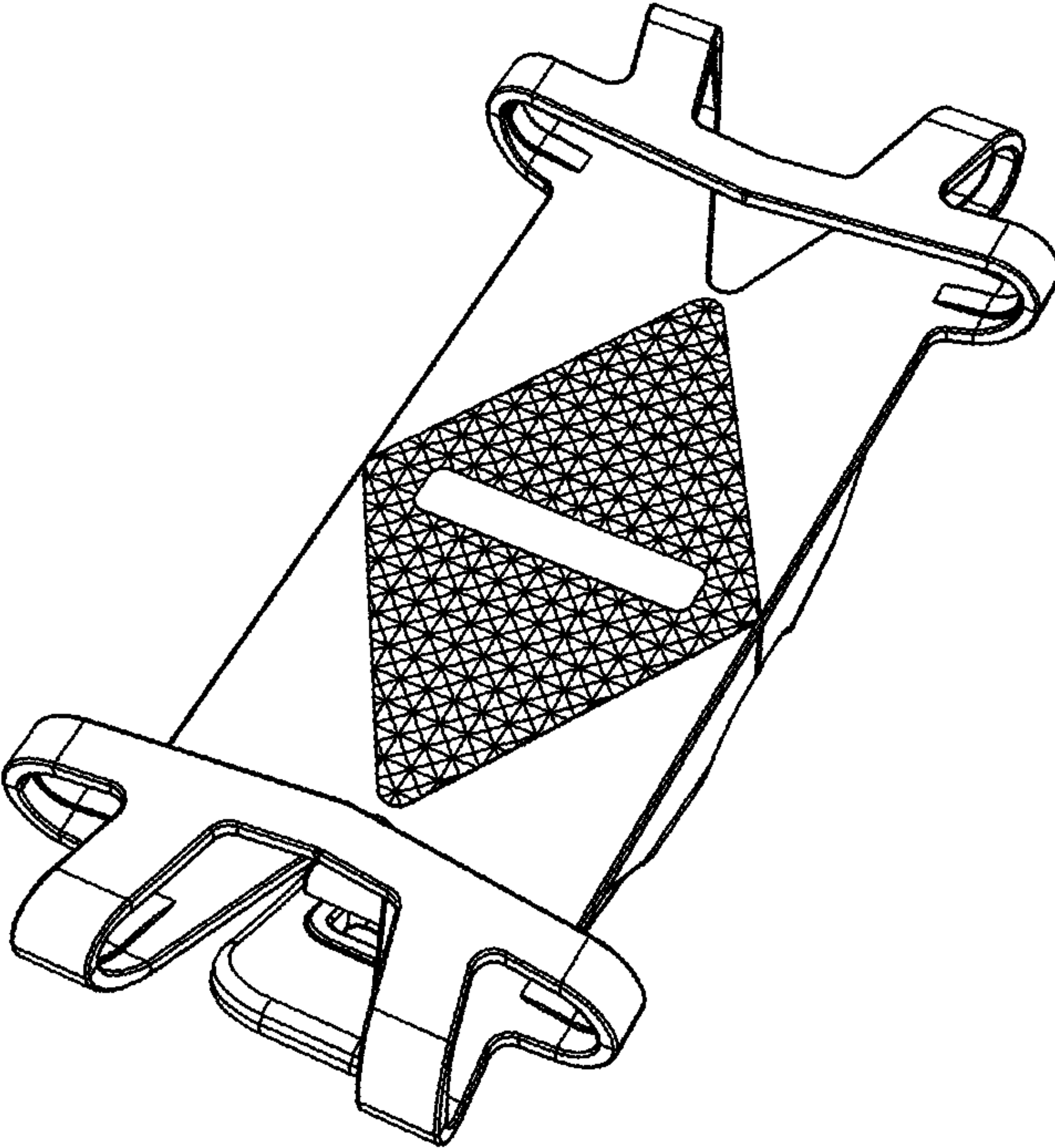


Fig. 1

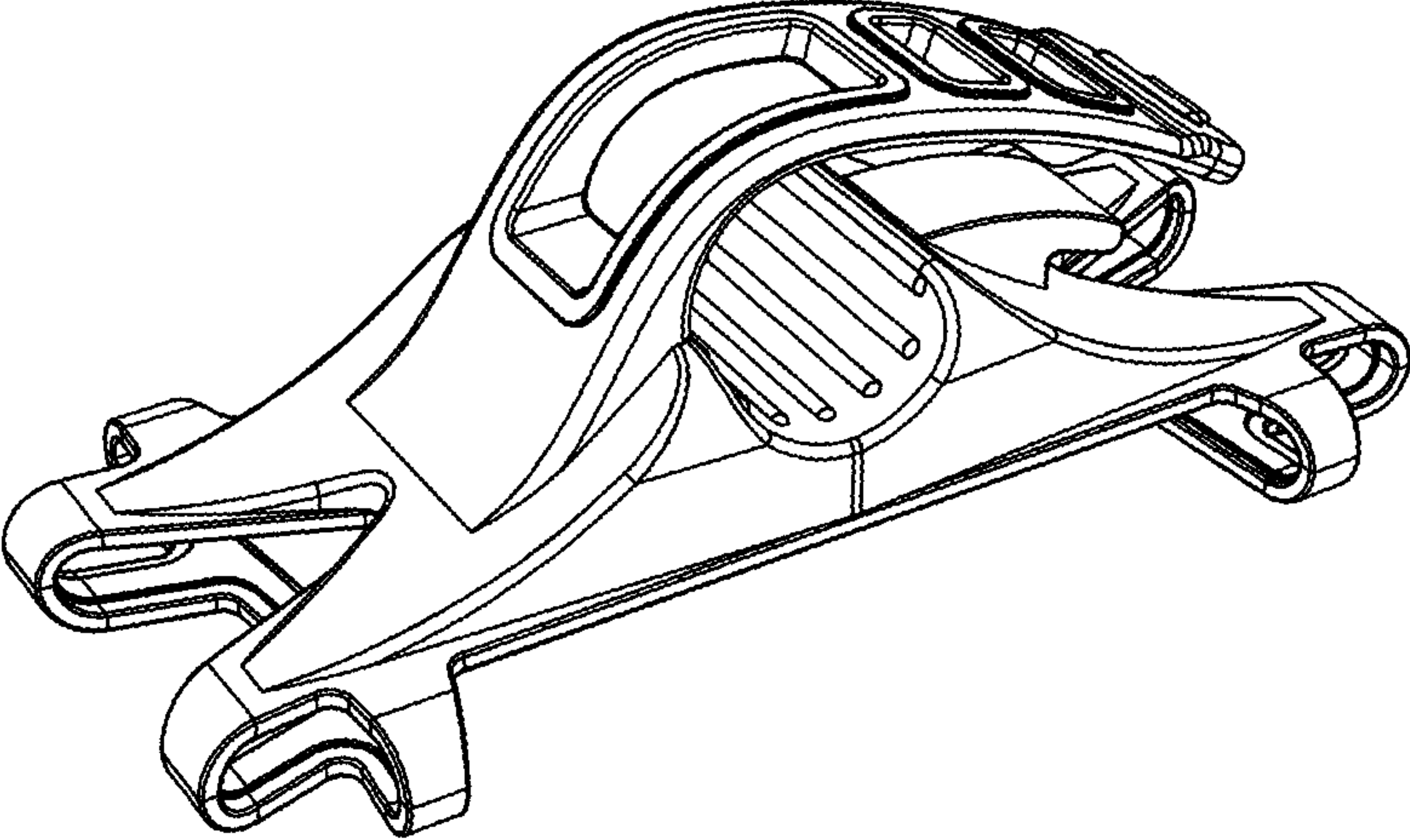


Fig. 2

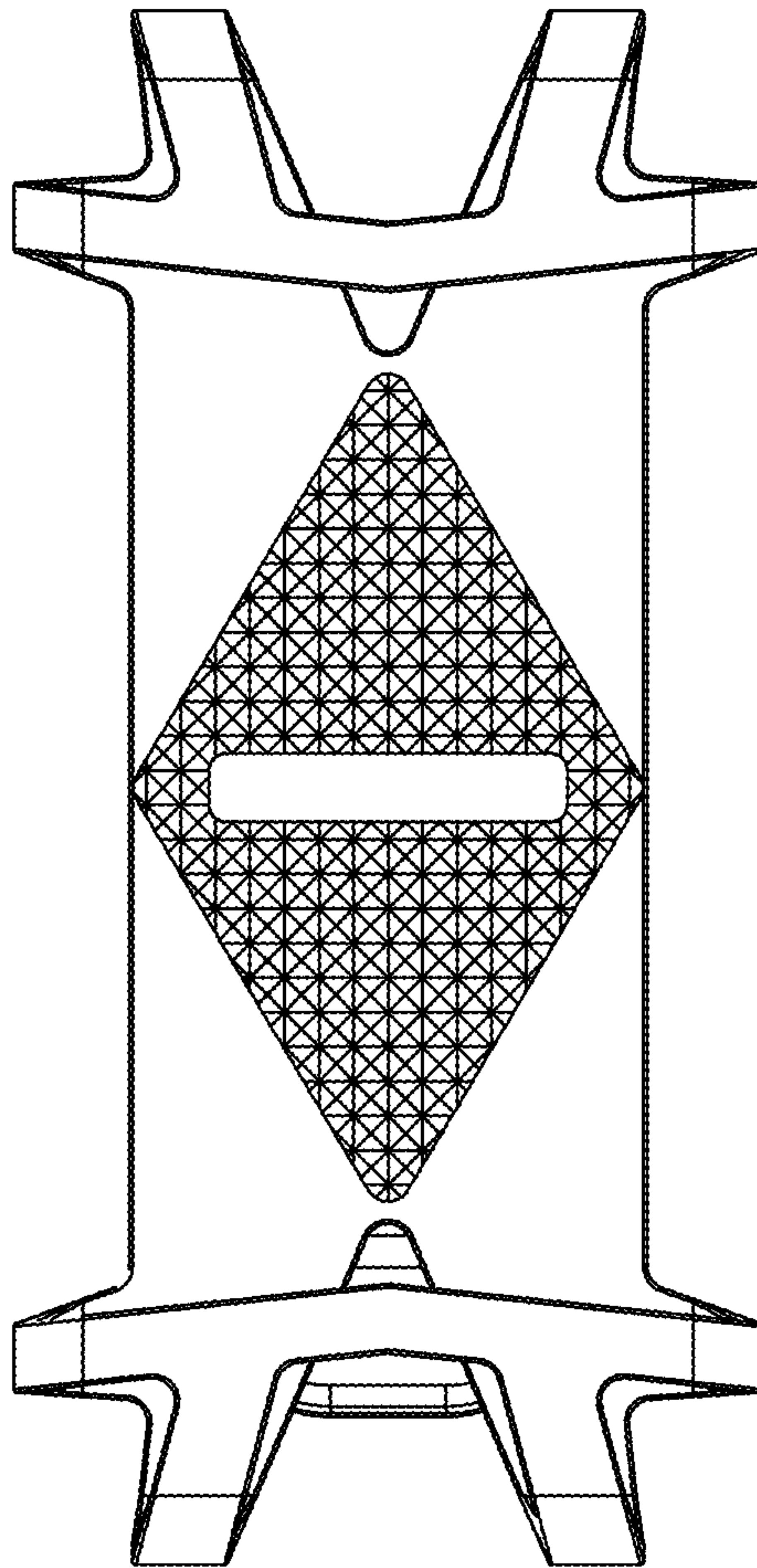


Fig. 3



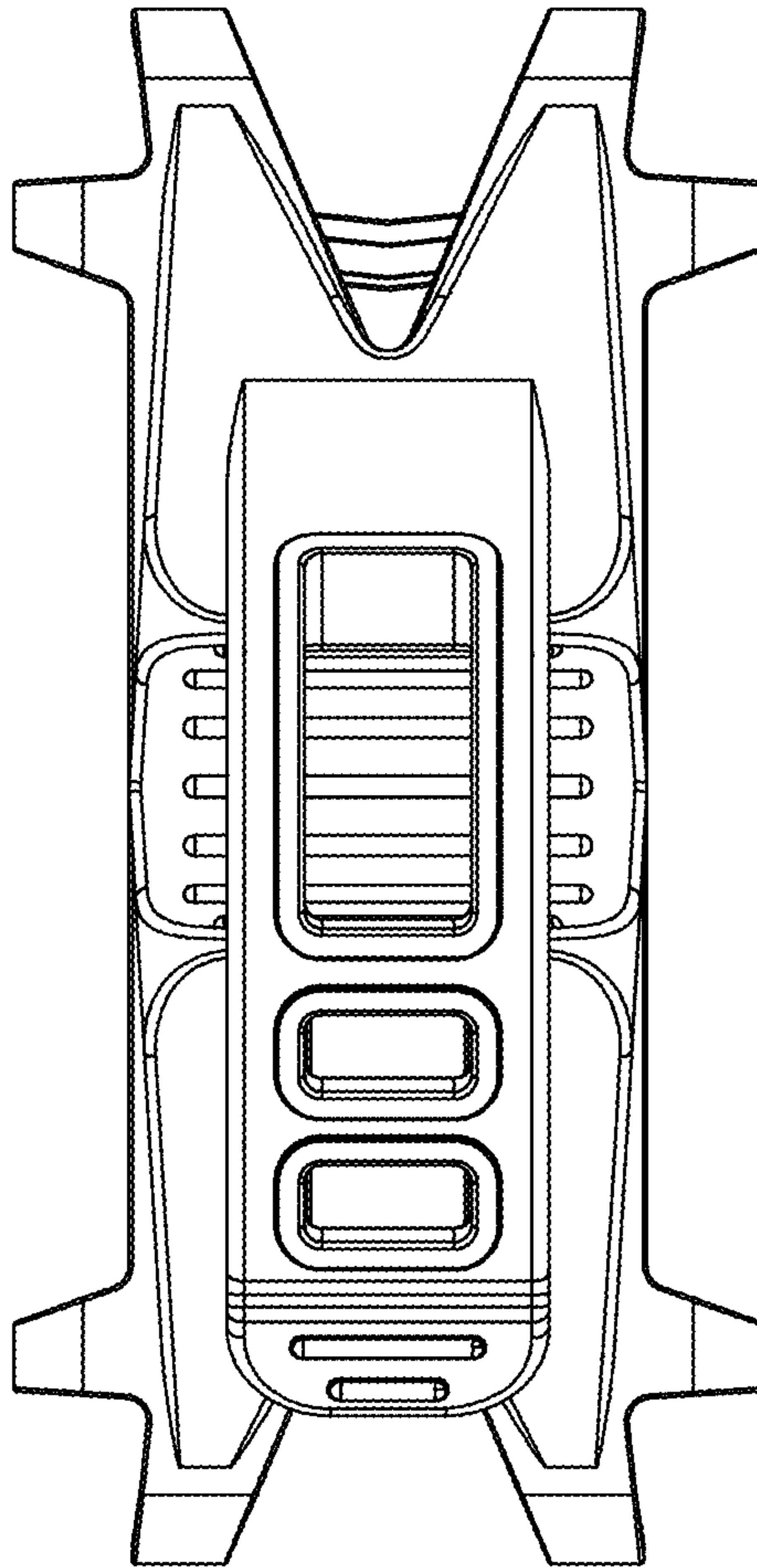


Fig. 4

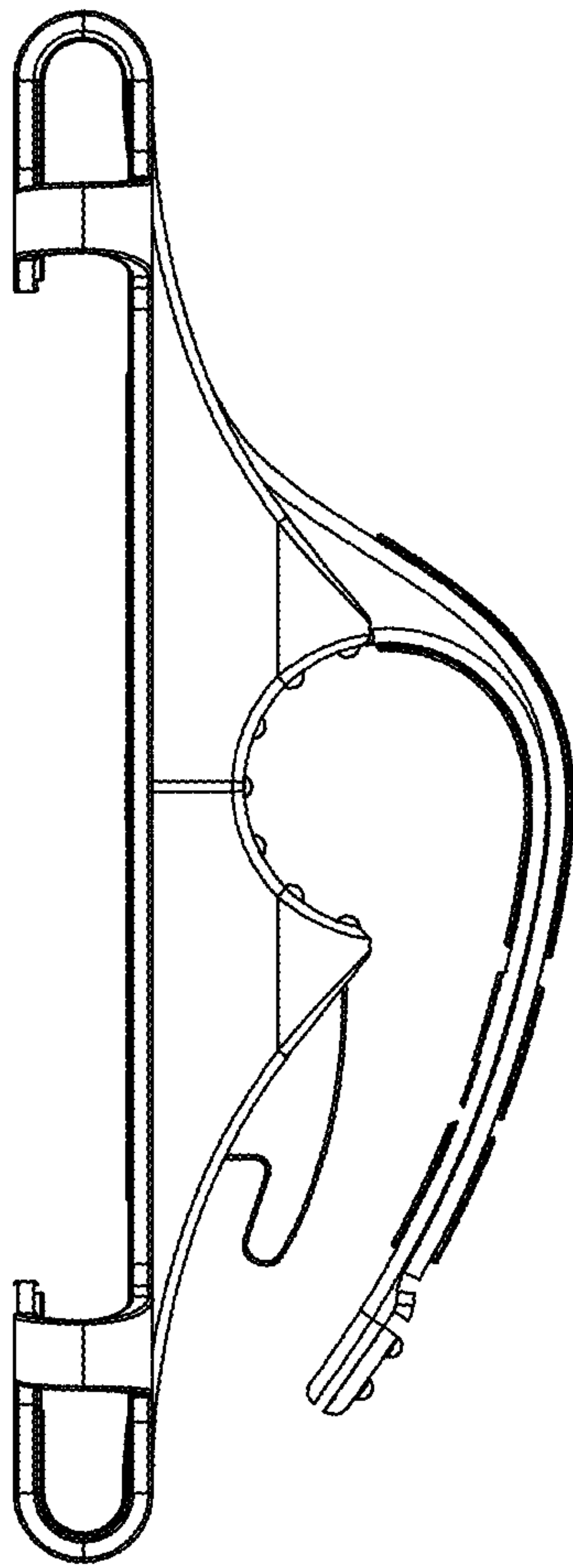


Fig. 5

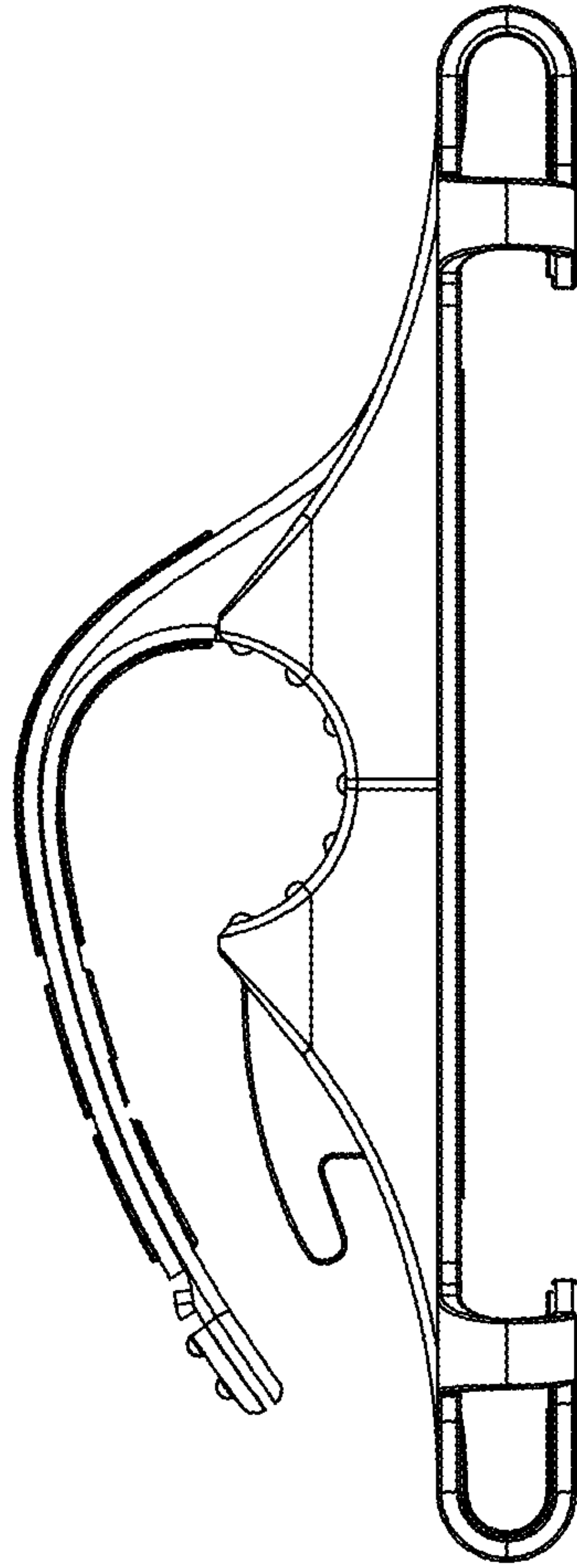


Fig. 6

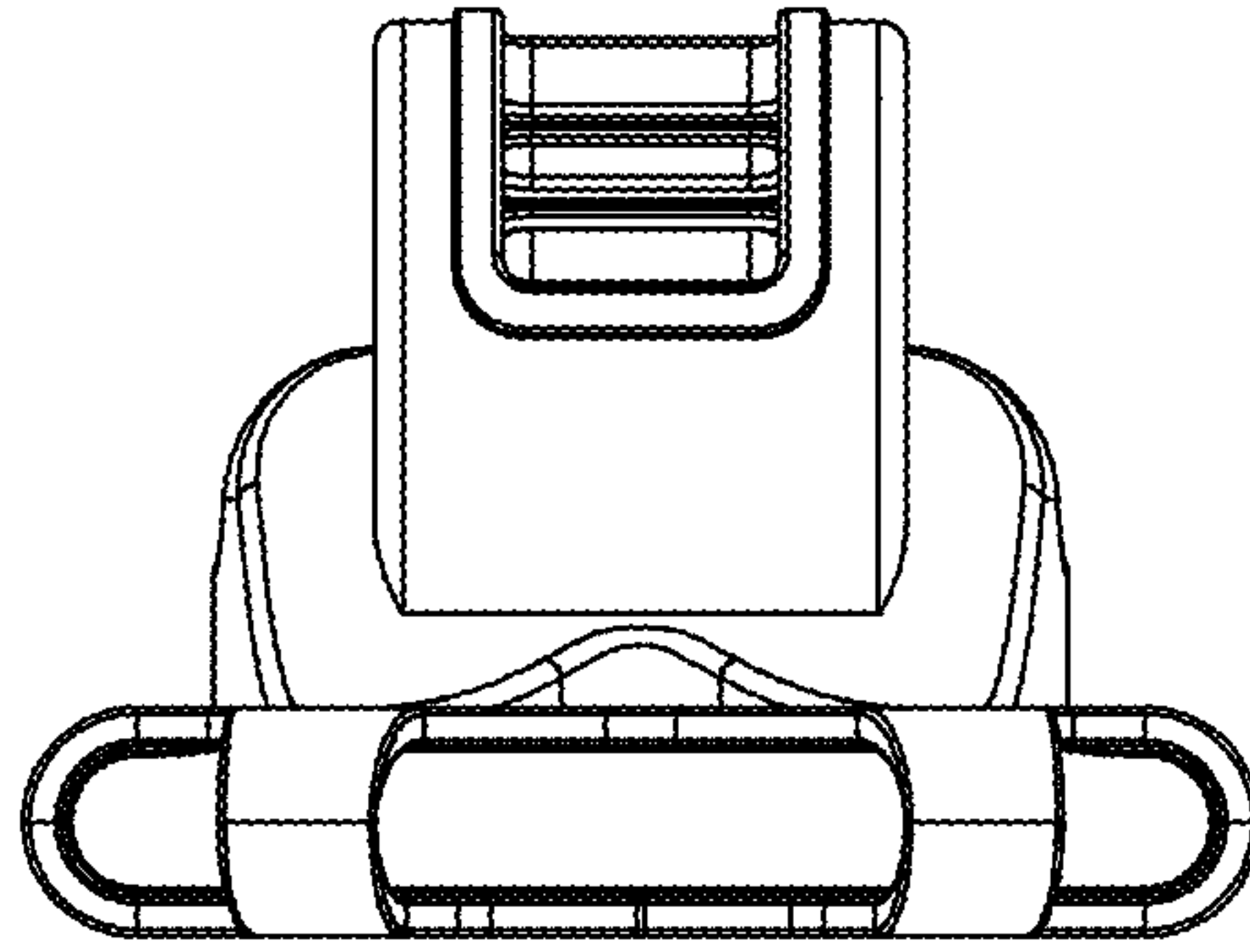


Fig. 7



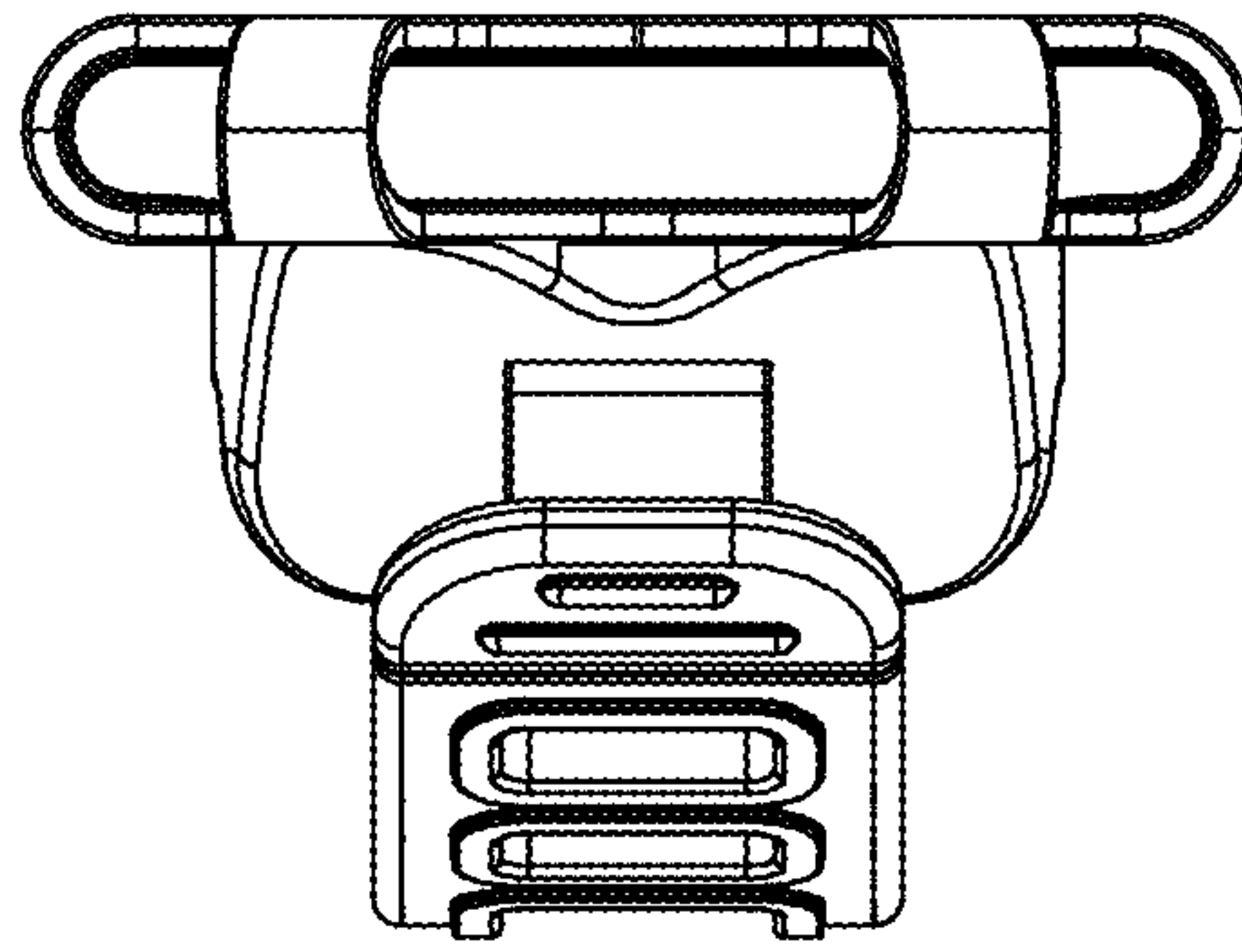


Fig. 8