



US00D897330S

(12) **United States Design Patent**
Jung

(10) **Patent No.:** **US D897,330 S**

(45) **Date of Patent:** **** Sep. 29, 2020**

(54) **CASE FOR ELECTRONIC COMMUNICATIONS DEVICE**

D718,316 S * 11/2014 Veltz D14/440
D736,777 S 8/2015 Rayner
D754,133 S 4/2016 Chen et al.

(Continued)

(71) Applicant: **SPIGEN KOREA CO., LTD.**, Seoul (KR)

Primary Examiner — Carla J Wright

(72) Inventor: **Soo Ha Jung**, Seoul (KR)

(74) *Attorney, Agent, or Firm* — Heedong Chae; Lucem, PC

(73) Assignee: **Spigen Korea CO., LTD.**, Seoul (KR)

(57) **CLAIM**

(**) Term: **15 Years**

The ornamental design for a case for electronic communications device, as shown and described.

(21) Appl. No.: **29/698,544**

DESCRIPTION

(22) Filed: **Jul. 17, 2019**

Related U.S. Application Data

(63) Continuation of application No. 29/626,338, filed on Nov. 16, 2017, now Pat. No. Des. 859,392.

(51) **LOC (12) Cl.** **14-03**

(52) **U.S. Cl.**
USPC **D14/250**

(58) **Field of Classification Search**
USPC D14/440, 203.3–203.7, 439, 238.1, D14/251–253, 447, 217, 240, 248, 250; D3/201, 218, 247, 269, 273, 301, 303; D13/103, 119, 107–108

CPC H04B 1/3888; H04M 1/0283; H04M 1/0202; A45C 1/06; A45C 11/00; A45C 13/02; A45C 2011/002; A45F 2005/026; A45F 2200/0525; A45F 2200/0516

See application file for complete search history.

(56) **References Cited**

U.S. PATENT DOCUMENTS

D637,590 S 5/2011 Michie et al.
D647,895 S * 11/2011 Fathollahi D14/250
D655,288 S 3/2012 de Jong et al.
D678,871 S 3/2013 Mishan et al.
D709,509 S * 7/2014 Kim D14/440

FIG. 1 is a front perspective view of a case for electronic communications device showing my new design in an environment of use;

FIG. 2 is a rear perspective view thereof;

FIG. 3 is a rear elevational view thereof;

FIG. 4 is a left side elevational view thereof;

FIG. 5 is a right side elevational view thereof;

FIG. 6 is a top plan view thereof;

FIG. 7 is a bottom plan view thereof;

FIG. 8 is a front perspective view showing the case for electronic communications device in isolation for clarity of disclosure;

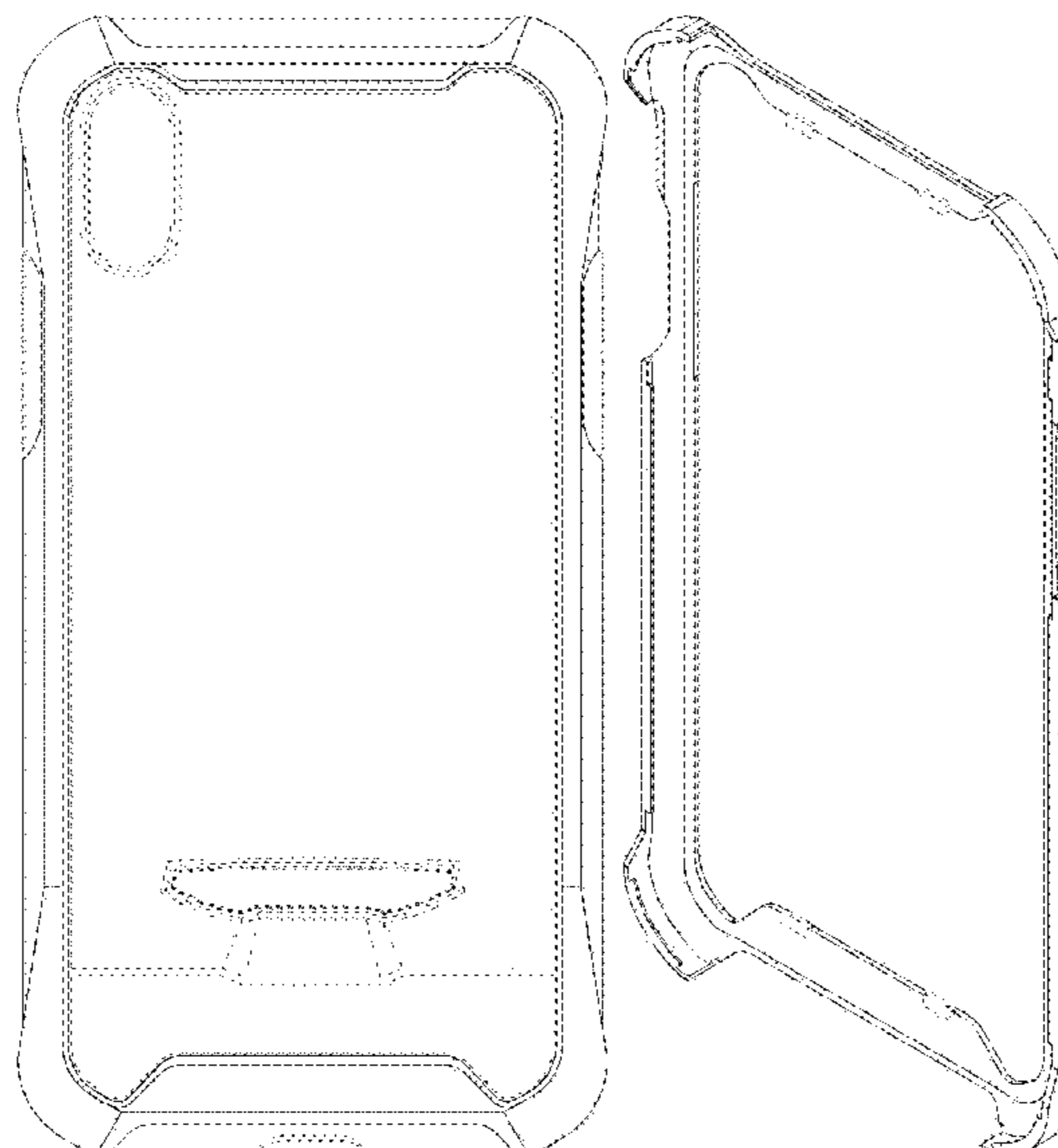
FIG. 9 is a rear perspective view showing the case for electronic communications device in isolation for clarity of disclosure;

FIG. 10 is an exploded front perspective view showing the case for electronic communications device separated from the environmental subject matter for clarity of disclosure; and,

FIG. 11 is an exploded rear perspective view showing the case for electronic communications device separated for clarity of disclosure.

The broken lines throughout the drawing figures depict environmental subject matter and portions of the case for electronic communications device that form no part of the claimed design.

1 Claim, 11 Drawing Sheets



(56)

References Cited

U.S. PATENT DOCUMENTS

D754,651 S	4/2016	Roberts et al.	
D755,772 S *	5/2016	Sasaki	D14/250
D756,343 S *	5/2016	Wall	D14/250
D757,704 S	5/2016	Roberts et al.	
D761,263 S	7/2016	Brinkman et al.	
D762,202 S	7/2016	Tseng et al.	
D762,203 S	7/2016	Chin et al.	
D762,631 S *	8/2016	Kim	D14/250
D763,242 S	8/2016	Kim	
D765,634 S	9/2016	McCray et al.	
D765,638 S	9/2016	Gaylord	
D766,885 S *	9/2016	Armstrong	D14/250
D767,554 S	9/2016	Bertrand et al.	
D772,211 S *	11/2016	Poon	D14/250
D775,614 S	1/2017	Kim	
D775,617 S	1/2017	Samson	
D776,102 S	1/2017	Kim	
D776,104 S *	1/2017	Tien	D14/250
D779,471 S *	2/2017	Tien	D14/250
D780,164 S	2/2017	Lee	
D780,165 S	2/2017	Lee	
D780,167 S *	2/2017	Tien	D14/250
D781,277 S	3/2017	Cameron	
D782,456 S	3/2017	Park et al.	
D782,460 S	3/2017	Bertrand et al.	
D783,585 S	4/2017	Park	
D783,588 S *	4/2017	Chang	D14/250
D784,309 S	4/2017	Lee et al.	
D786,232 S	5/2017	Kim	
D786,851 S	5/2017	Kim	
9,675,150 B2	6/2017	Kim	
D792,886 S *	7/2017	Schwibner	D14/440
D794,626 S *	8/2017	Armstrong	D14/250
D802,572 S	11/2017	Harris	
D802,577 S *	11/2017	Ahn	D14/250
D808,376 S	1/2018	Kim	
D817,315 S	5/2018	Dickie	
D828,359 S	9/2018	Burmester	
D830,367 S	10/2018	Chang	
D831,636 S	10/2018	Zhu	
D832,831 S	11/2018	Zhang	
D834,026 S	11/2018	Moore et al.	
D837,772 S *	1/2019	Jung	D14/250
D837,780 S	1/2019	Eulette	
D837,797 S	1/2019	Wright et al.	
D839,252 S	1/2019	Lim et al.	
D839,254 S	1/2019	Nazar	
D845,939 S	4/2019	Igarashi	
D845,942 S	4/2019	Massey et al.	
D845,944 S	4/2019	Gronewoller et al.	
D848,436 S	5/2019	Siedow	
D852,203 S	6/2019	Rui	
D859,392 S *	9/2019	Jung	D14/250
D861,661 S *	10/2019	Kim	D14/250
D862,447 S *	10/2019	Kim	D14/250
D862,448 S *	10/2019	Jung	D14/250
D862,449 S *	10/2019	Jung	D14/250
D862,451 S *	10/2019	Ahn	D14/250
2012/0018325 A1	1/2012	Kim	
2014/0076753 A1 *	3/2014	Limber	H04B 1/3888 206/320
2014/0216973 A1 *	8/2014	Chang	B65D 81/022 206/521
2015/0001104 A1	1/2015	Kim	
2016/0142522 A1	5/2016	Kim	
2017/0013925 A1	1/2017	Fathollahi	
2017/0027292 A1	2/2017	Hibino	
2017/0230072 A1	8/2017	Kim	
2018/0262227 A1 *	9/2018	Lee	H04M 1/0202

* cited by examiner

FIG. 1

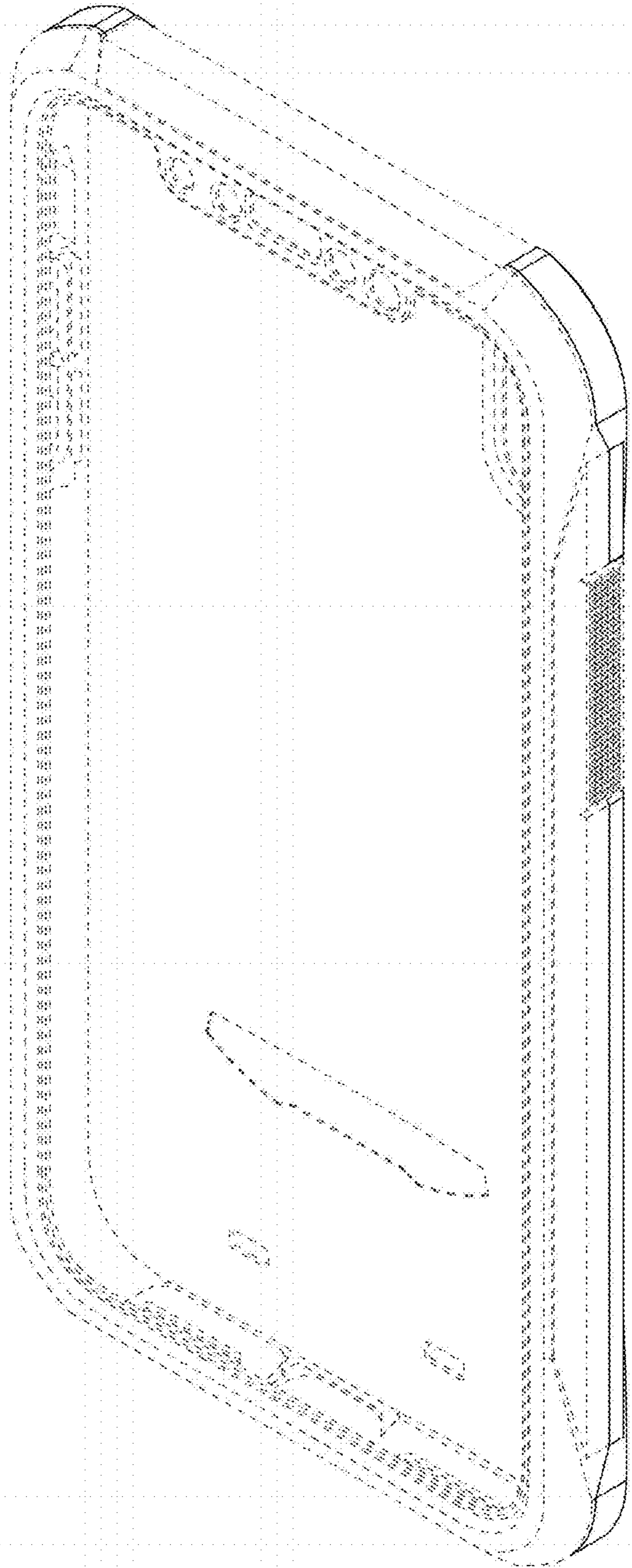


FIG. 2

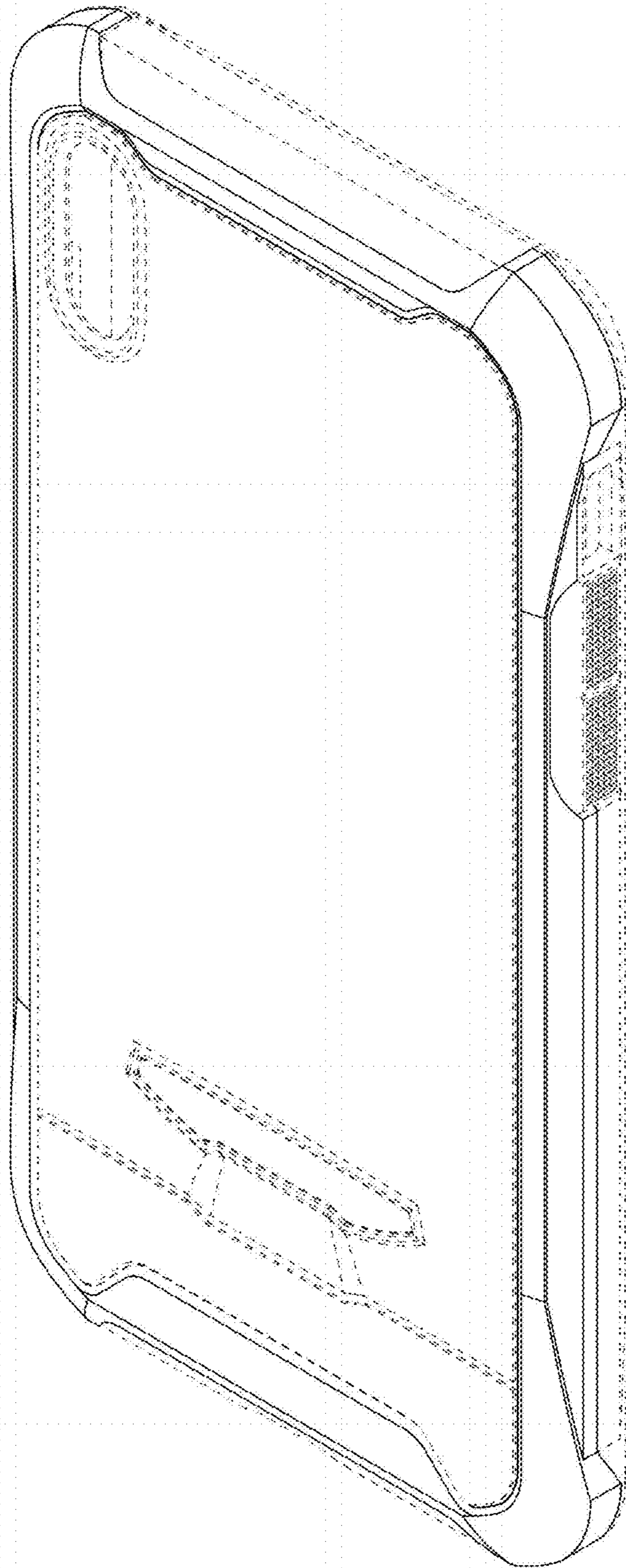


FIG. 3

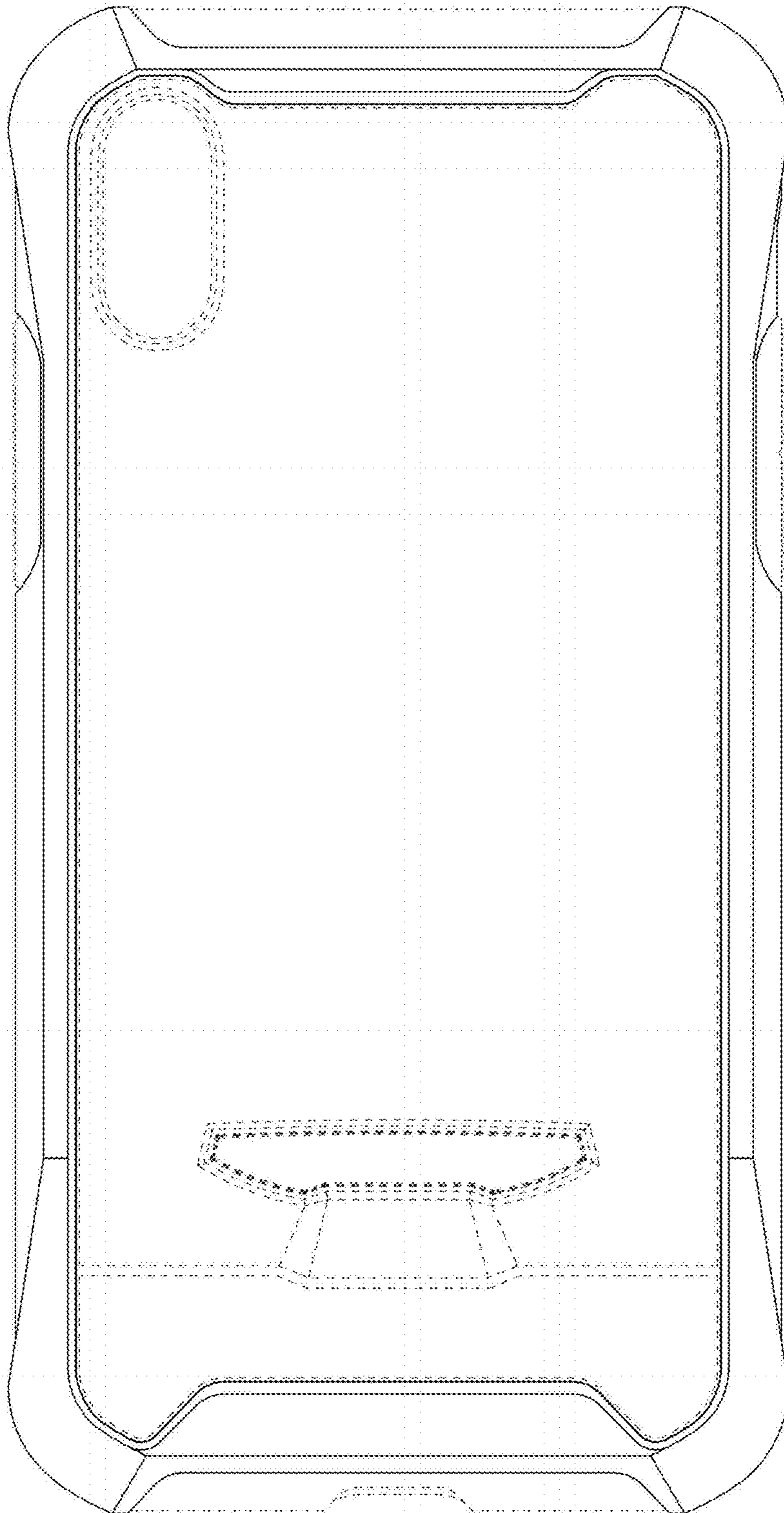


FIG. 4

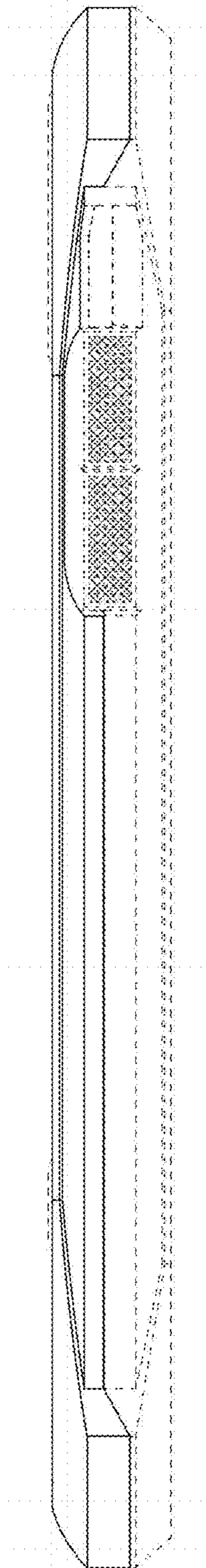


FIG. 5

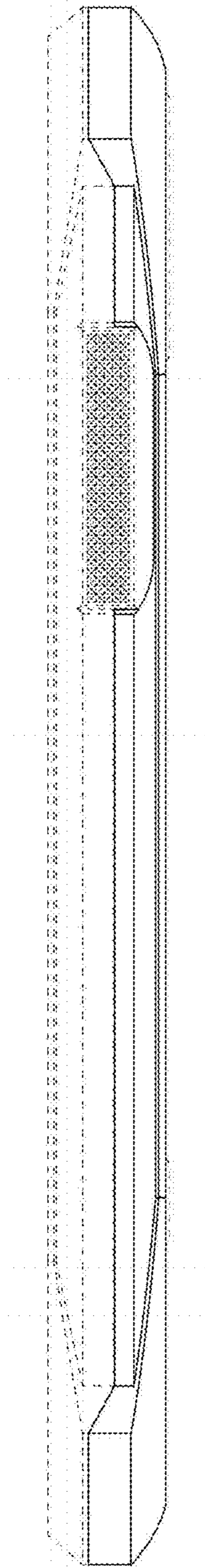


FIG. 6

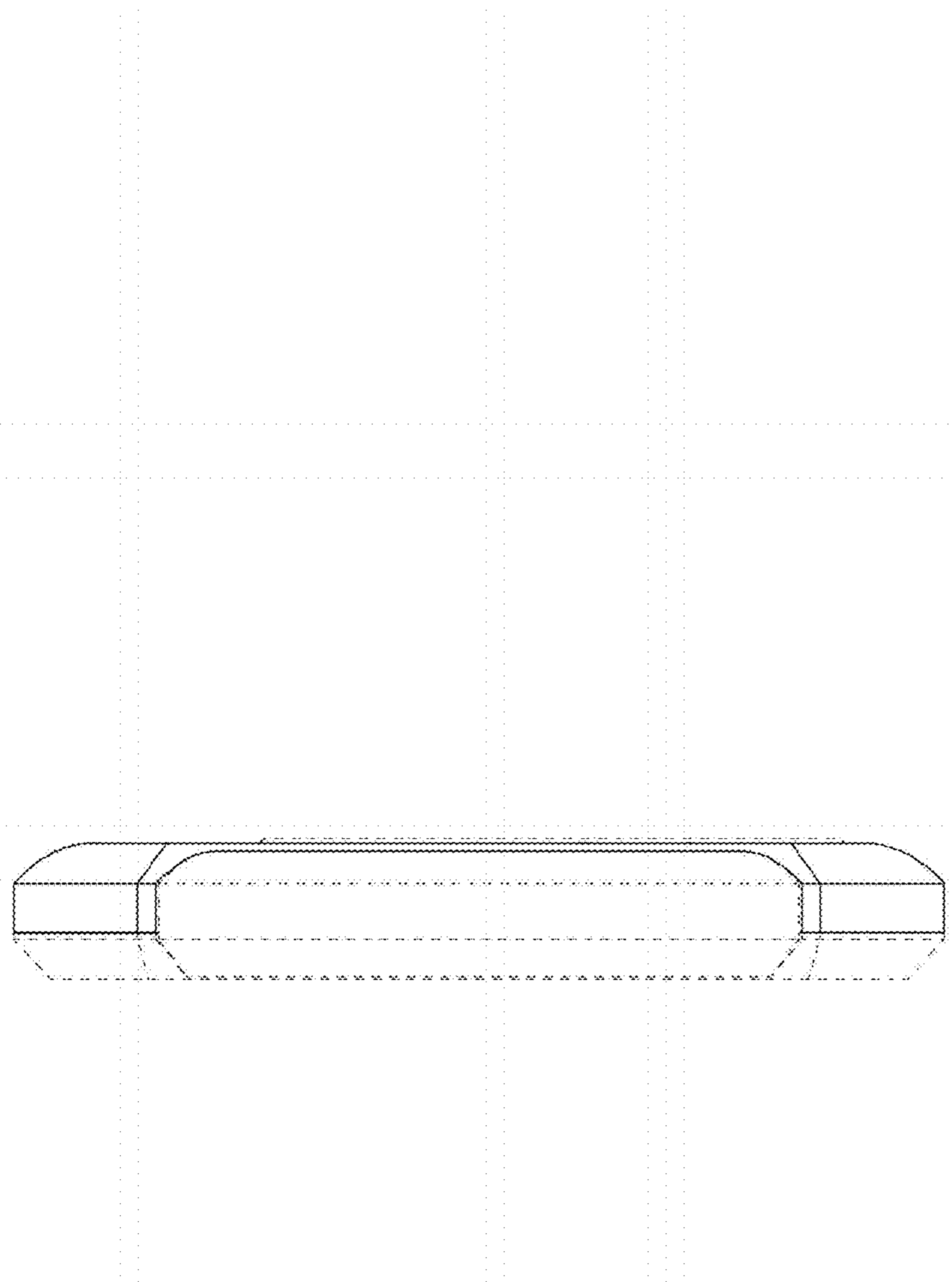


FIG. 7

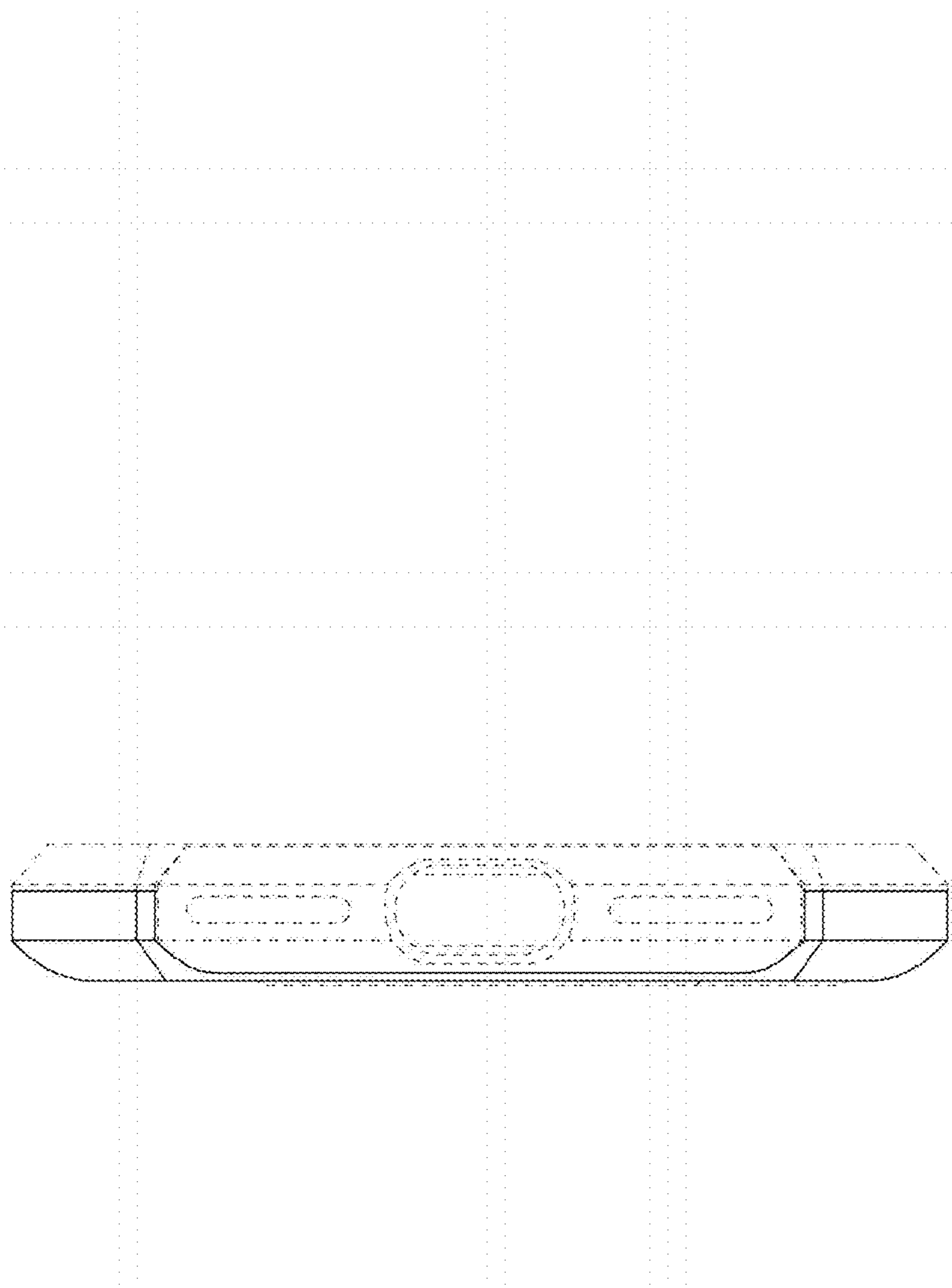


FIG. 8

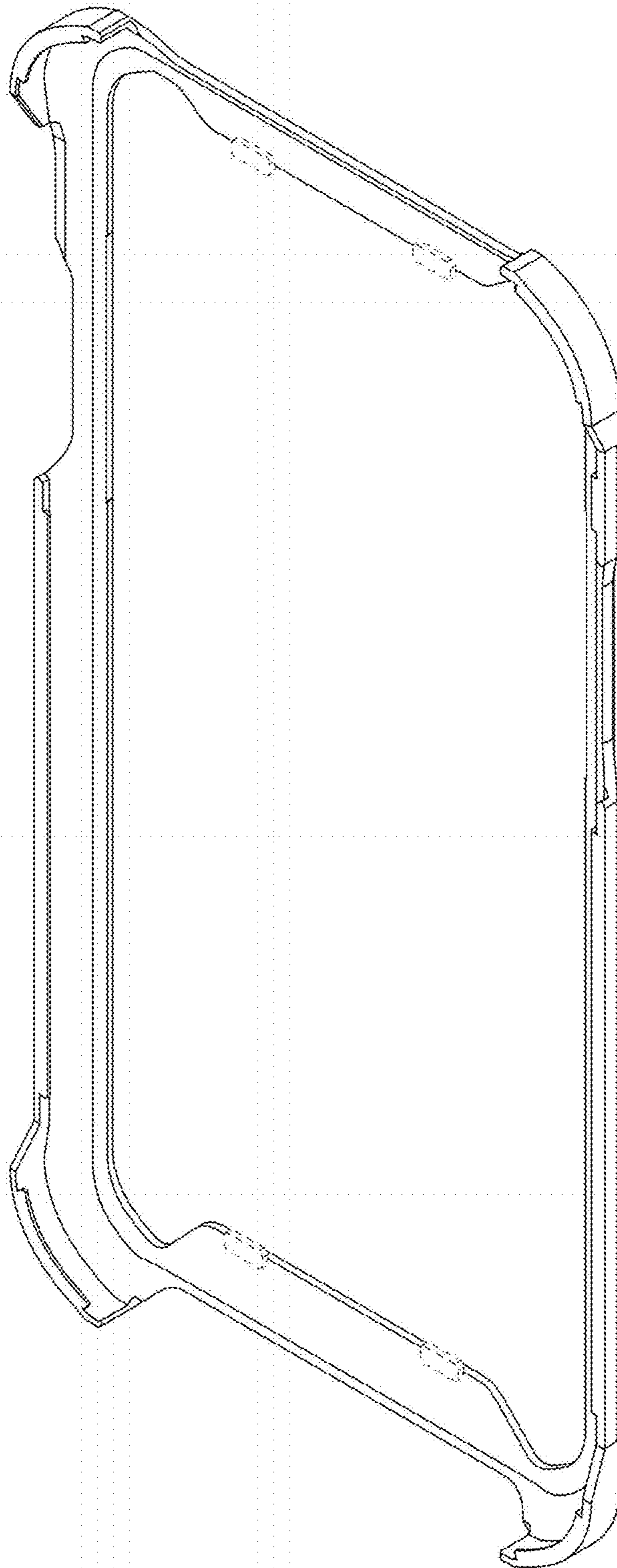


FIG. 9

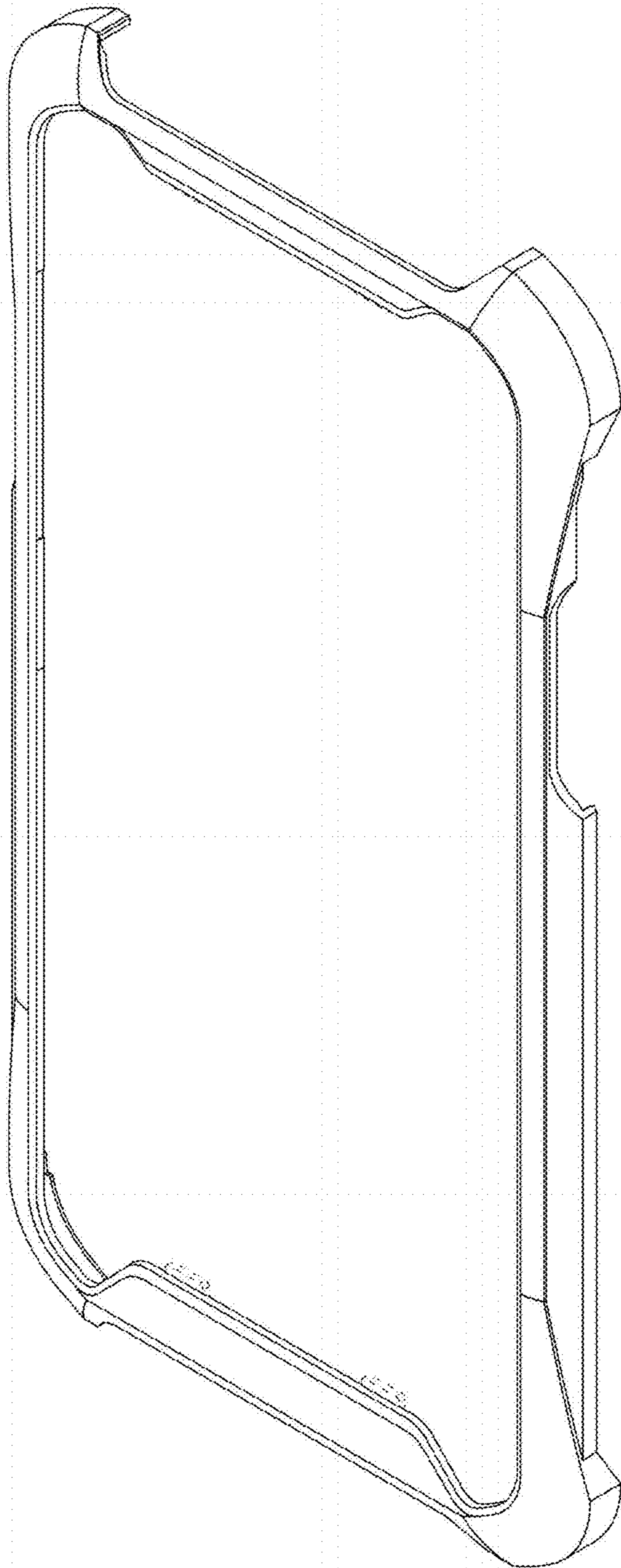


FIG. 10

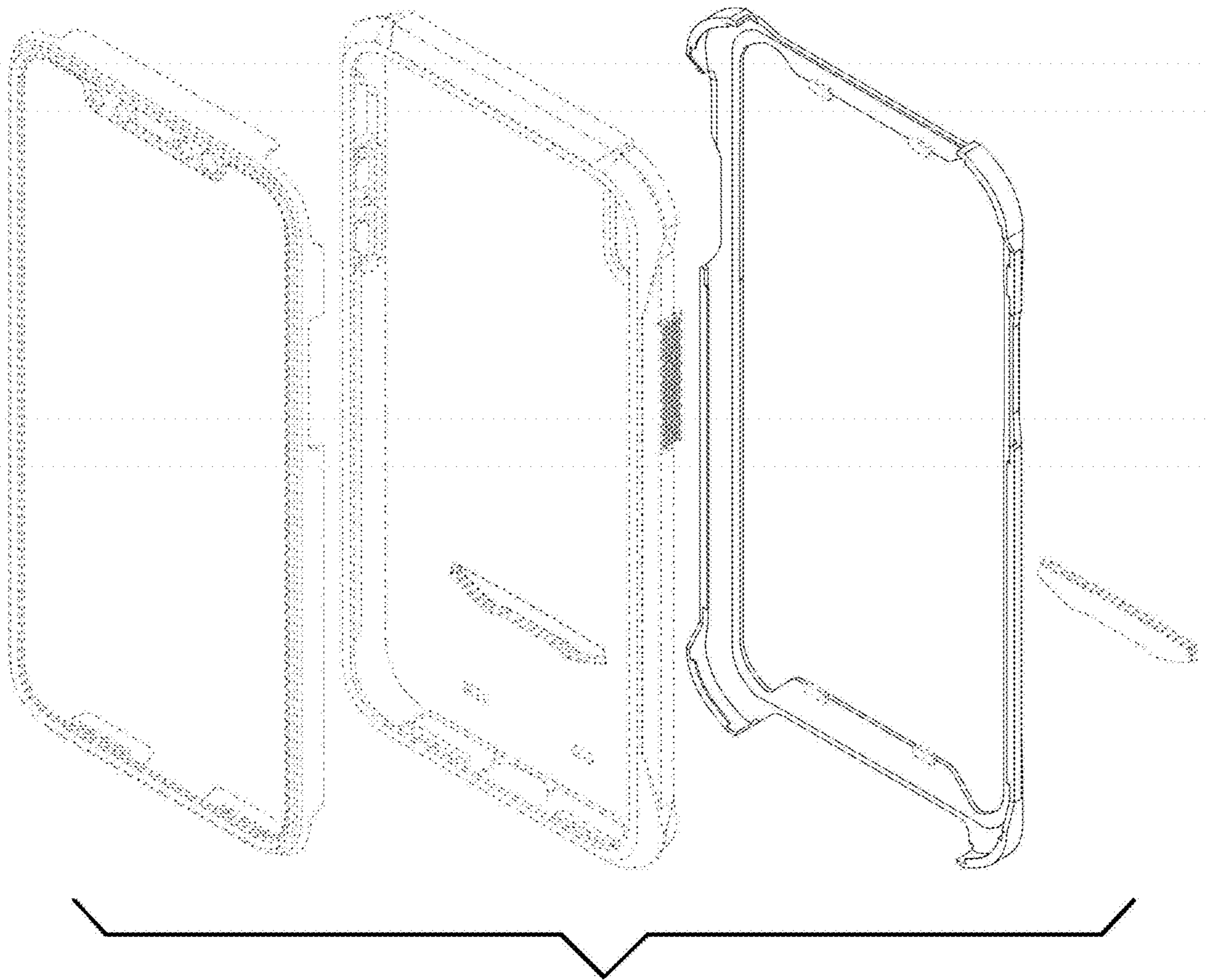


FIG. 11

