



US00D897326S

(12) **United States Design Patent**
Araki

(10) **Patent No.:** **US D897,326 S**

(45) **Date of Patent:** **** Sep. 29, 2020**

(54) **WIRELESS COMMUNICATION DEVICE**

(71) Applicant: **THE YOKOHAMA RUBBER CO., LTD.**, Minato-ku, Tokyo (JP)

(72) Inventor: **Yasuhiko Araki**, Hiratsuka (JP)

(73) Assignee: **THE YOKOHAMA RUBBER CO., LTD.**, Minato-ku, Tokyo (JP)

(**) Term: **15 Years**

(21) Appl. No.: **29/682,708**

(22) Filed: **Mar. 7, 2019**

(30) **Foreign Application Priority Data**

Sep. 7, 2018 (JP) 2018-019537

(51) **LOC (12) Cl.** **14-03**

(52) **U.S. Cl.**
USPC **D14/240**

(58) **Field of Classification Search**
USPC D14/240, 242, 357, 358, 155, 125, 126,
D14/137, 139, 243, 348, 349, 351, 354,
D14/355

CPC . H04L 12/66; H04L 63/0853; H04L 63/0272;
H04L 63/083; H04L 63/105; H05K 7/20;
H05K 7/20154

See application file for complete search history.

(56) **References Cited**

U.S. PATENT DOCUMENTS

D383,687 S * 9/1997 Conrado D14/159
D385,559 S * 10/1997 Conrado D14/137

D393,859 S * 4/1998 Nguyen D14/191
D398,920 S * 9/1998 Yen D14/125
D484,120 S * 12/2003 Yin D14/240
D492,946 S * 7/2004 Loiske D14/240
D497,318 S * 10/2004 Strand D10/104.1
D500,756 S * 1/2005 Liang D14/240
D501,643 S * 2/2005 Strand D10/104.1
D523,854 S * 6/2006 Rinna D14/358
D655,267 S * 3/2012 Daniel D14/137
D809,492 S * 2/2018 Moon D14/240
D858,498 S * 9/2019 Busl D14/240

FOREIGN PATENT DOCUMENTS

CN 305679156 * 4/2020

* cited by examiner

Primary Examiner — Bridget L Eland

(74) *Attorney, Agent, or Firm* — Banner & Witcoff, Ltd.

(57) **CLAIM**

The ornamental design for a wireless communication device, as shown and described.

DESCRIPTION

FIG. 1 is a front perspective view of a wireless communication device showing my design;
FIG. 2 is a rear perspective view thereof;
FIG. 3 is a front view thereof;
FIG. 4 is a rear view thereof;
FIG. 5 is a left view thereof;
FIG. 6 is a right view thereof;
FIG. 7 is a top view thereof; and,
FIG. 8 is a bottom view thereof.

1 Claim, 8 Drawing Sheets

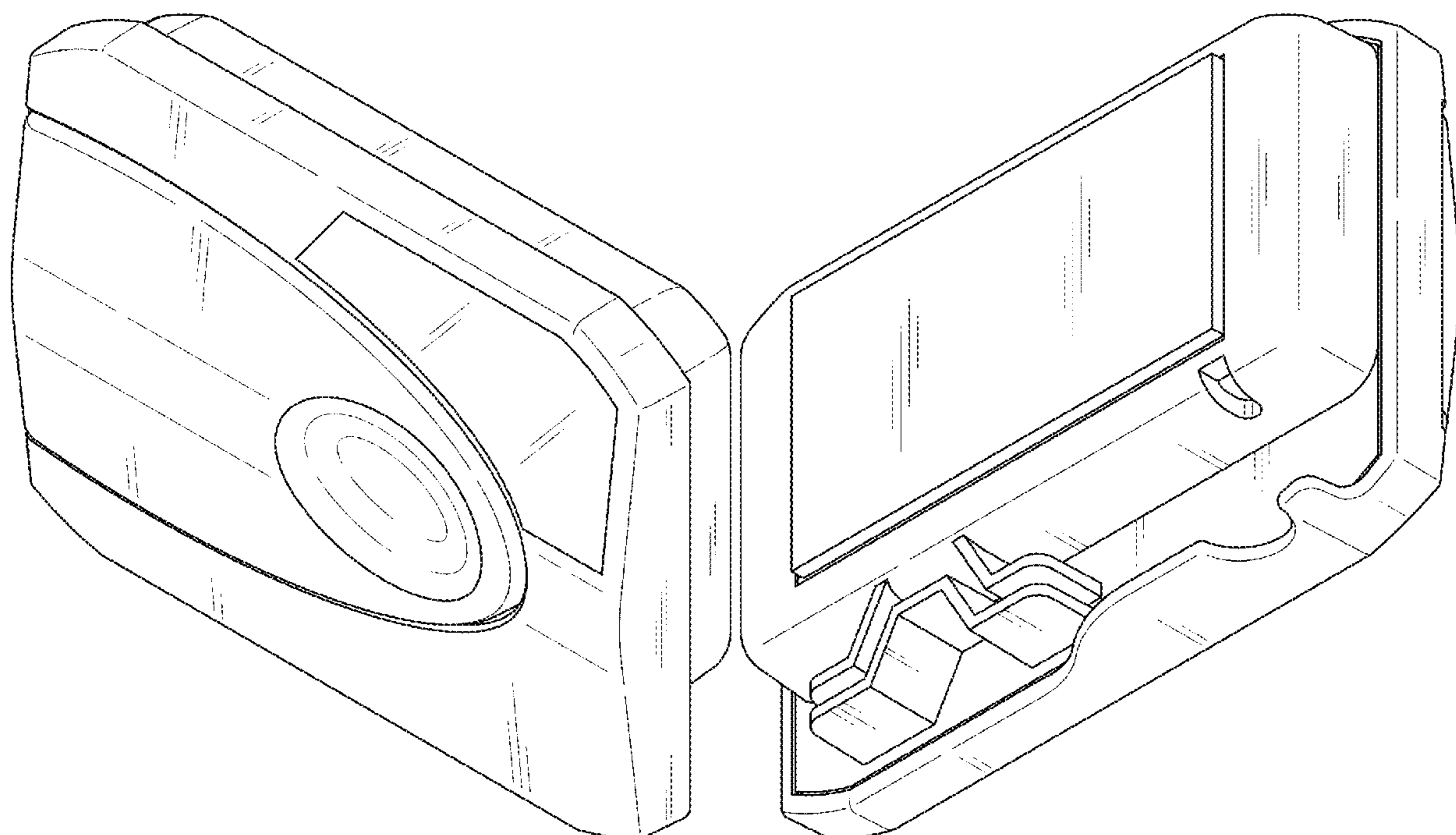


FIG. 1

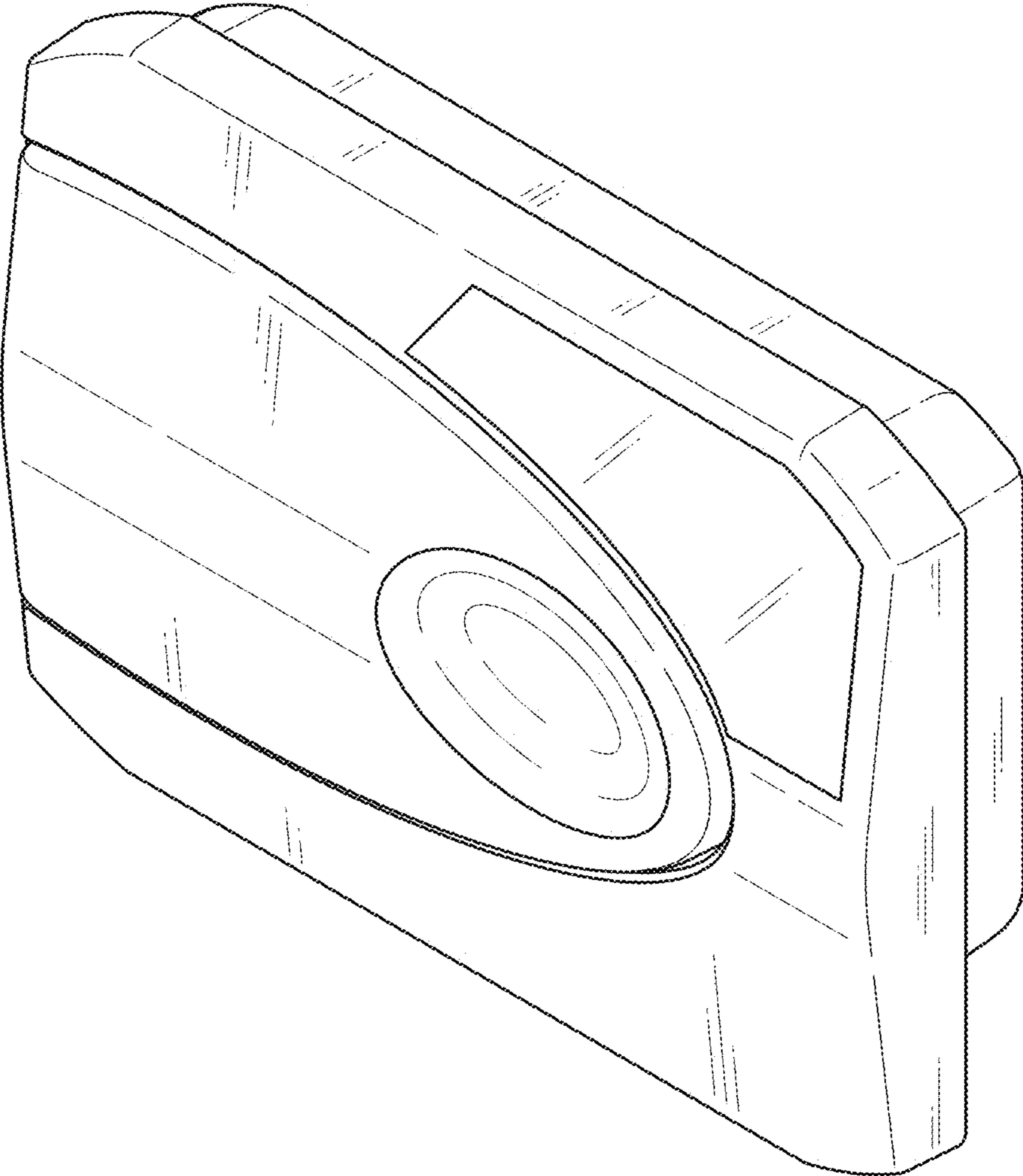


FIG. 2

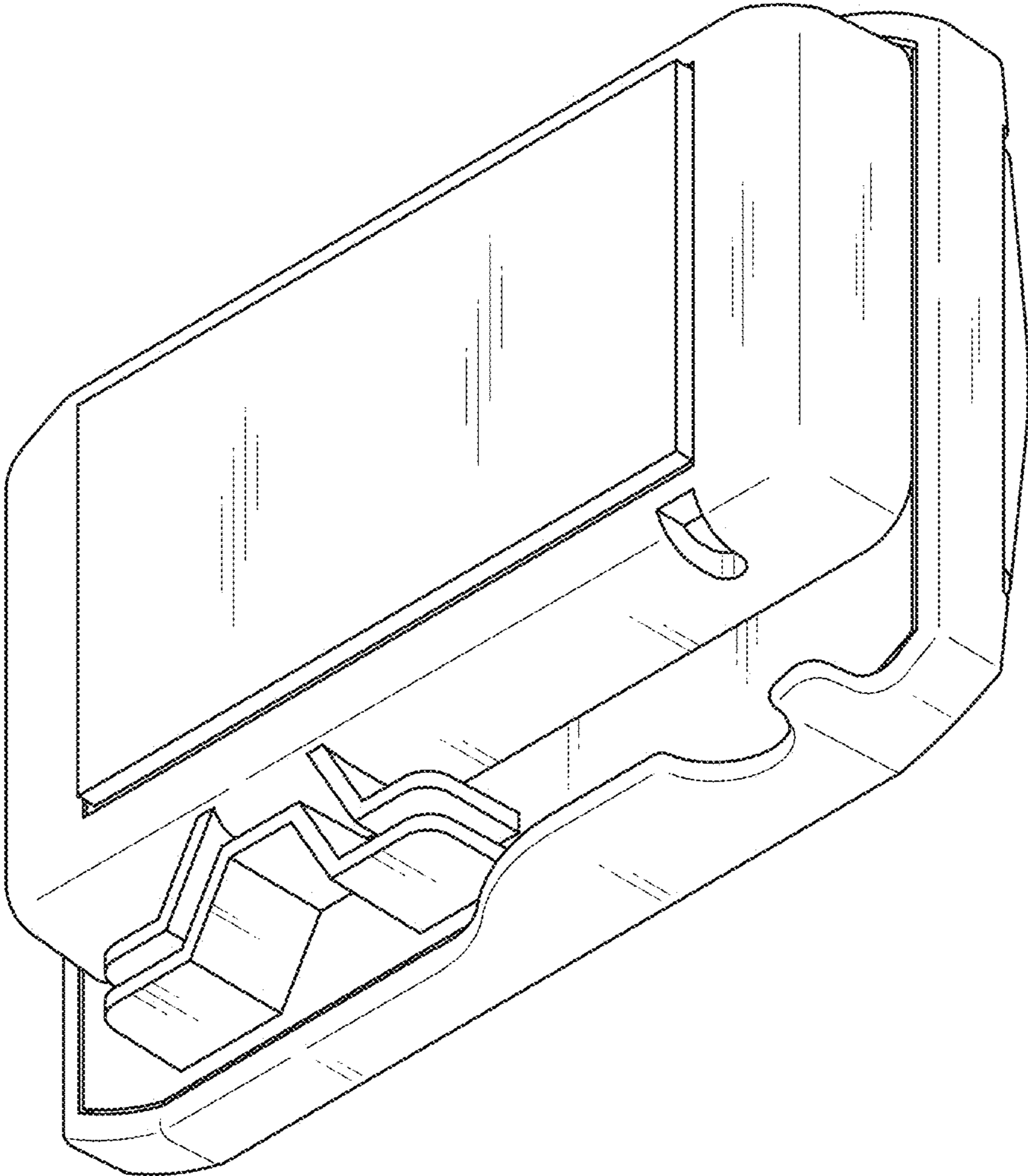


FIG. 3

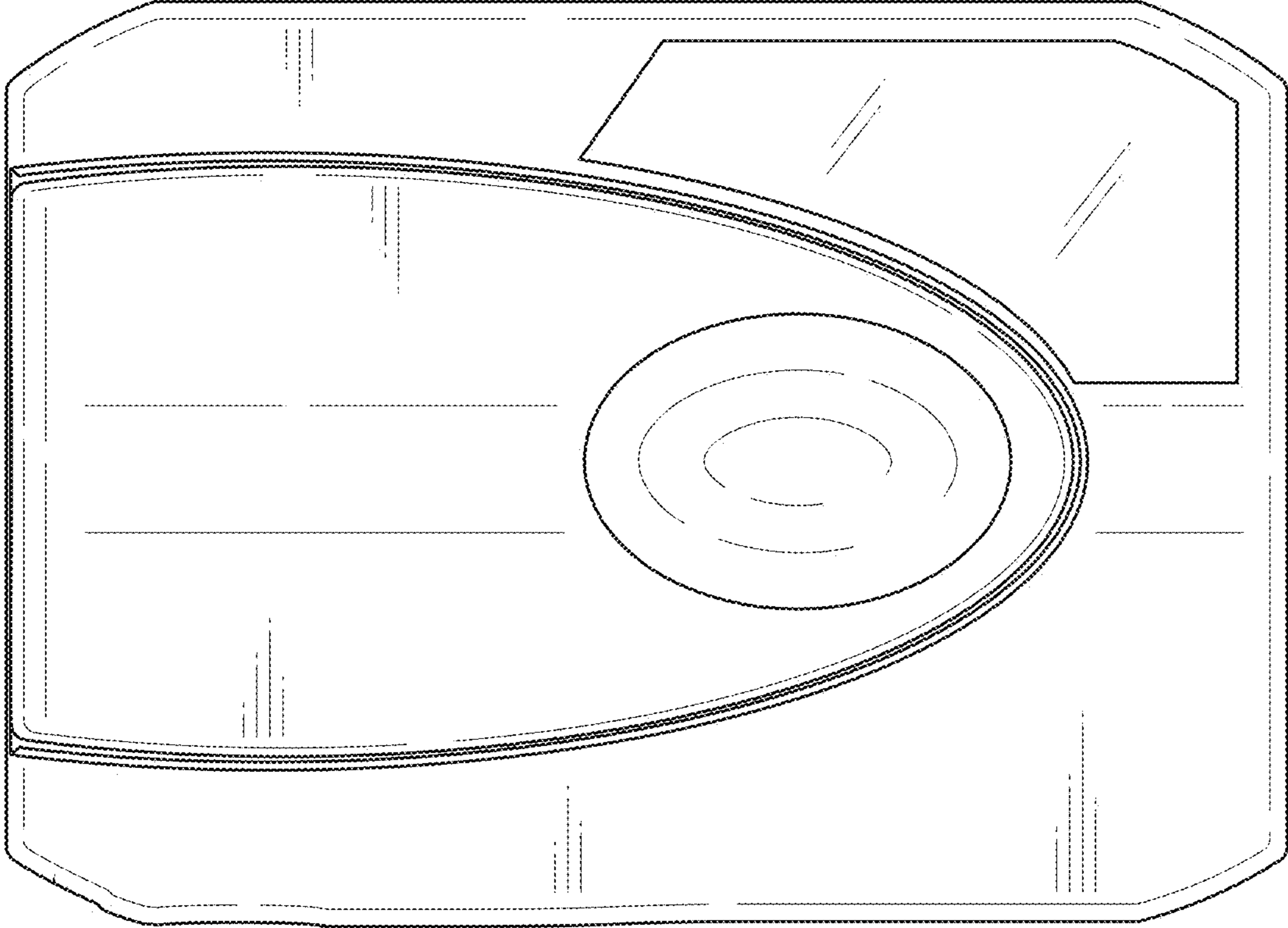


FIG. 4

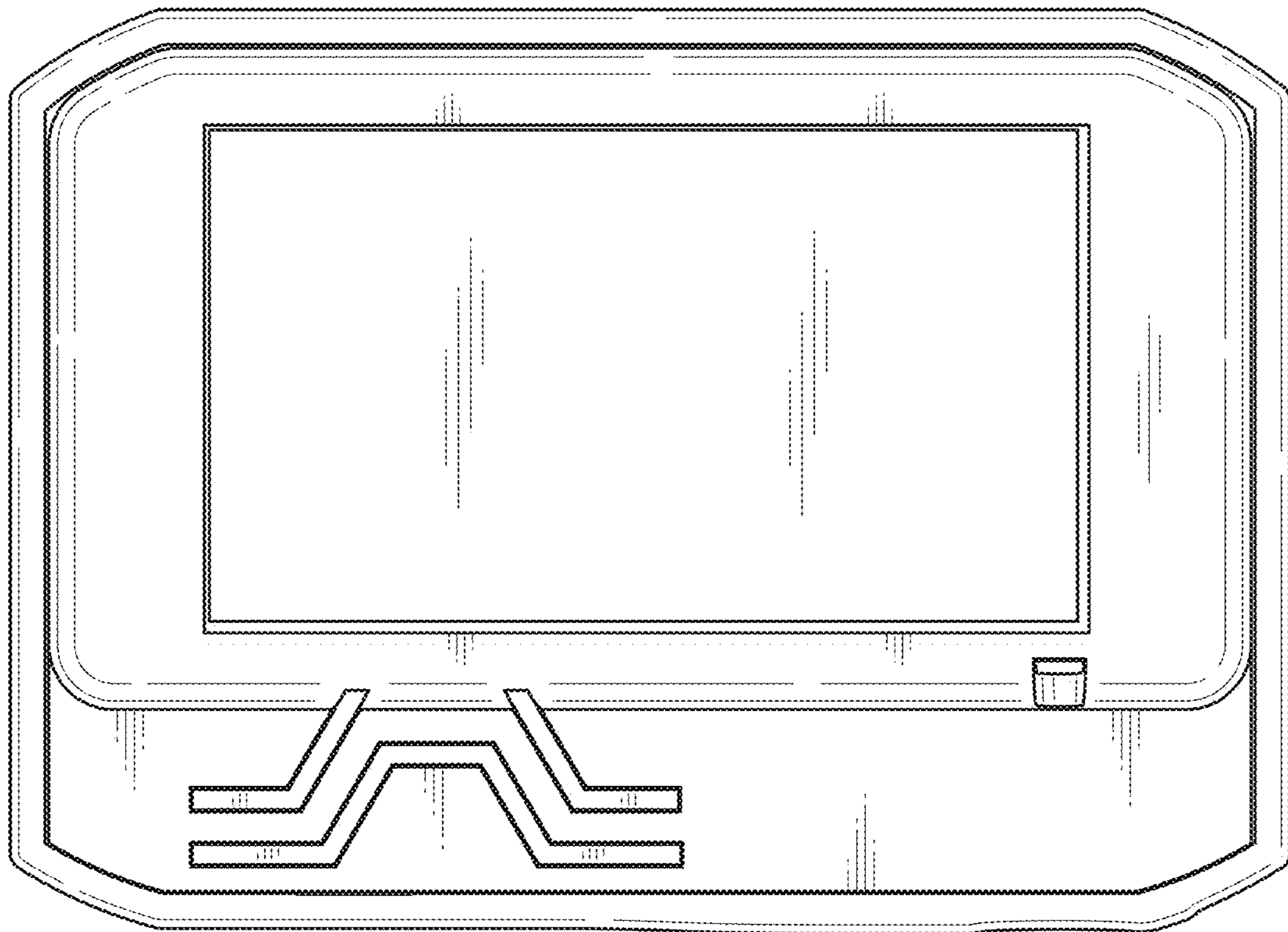


FIG. 5

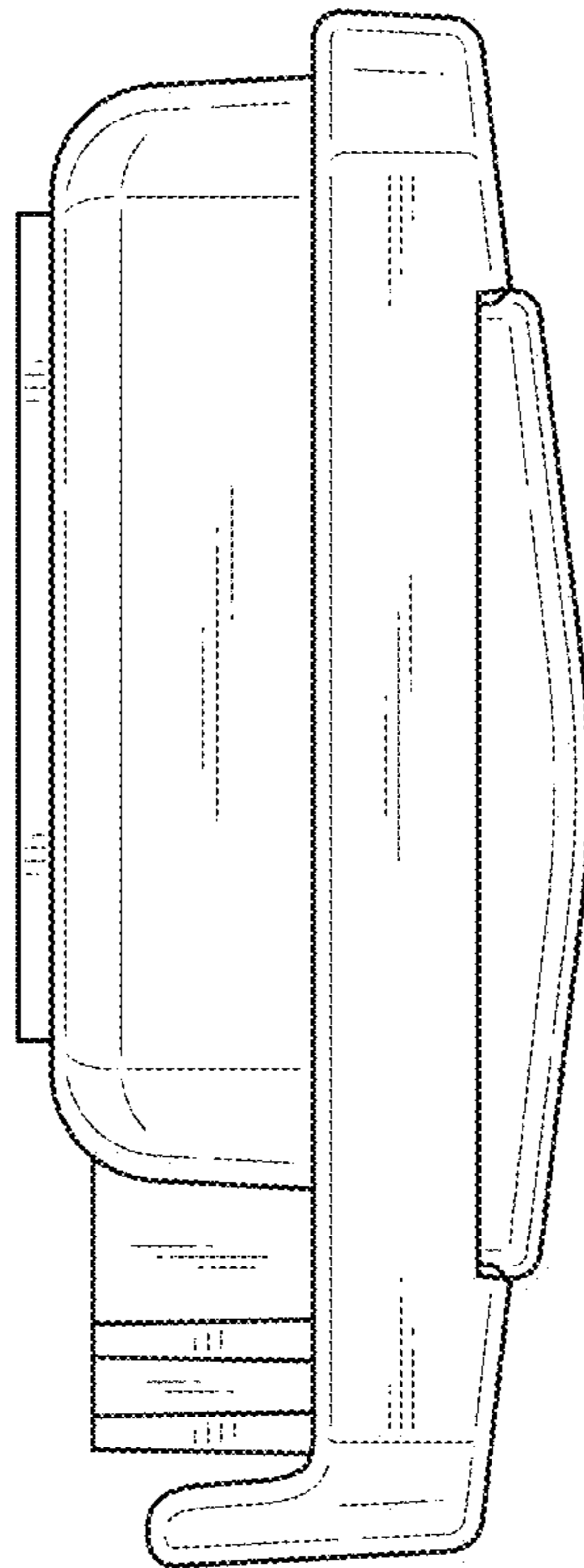


FIG. 6

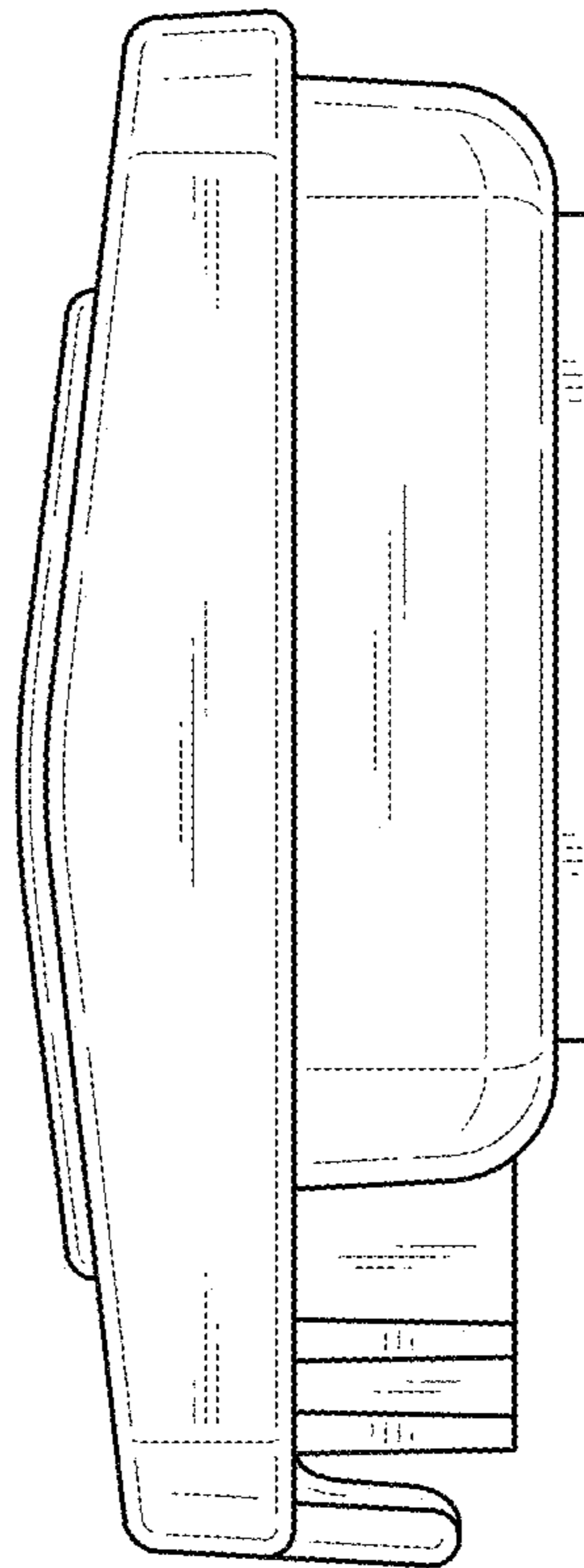


FIG. 7

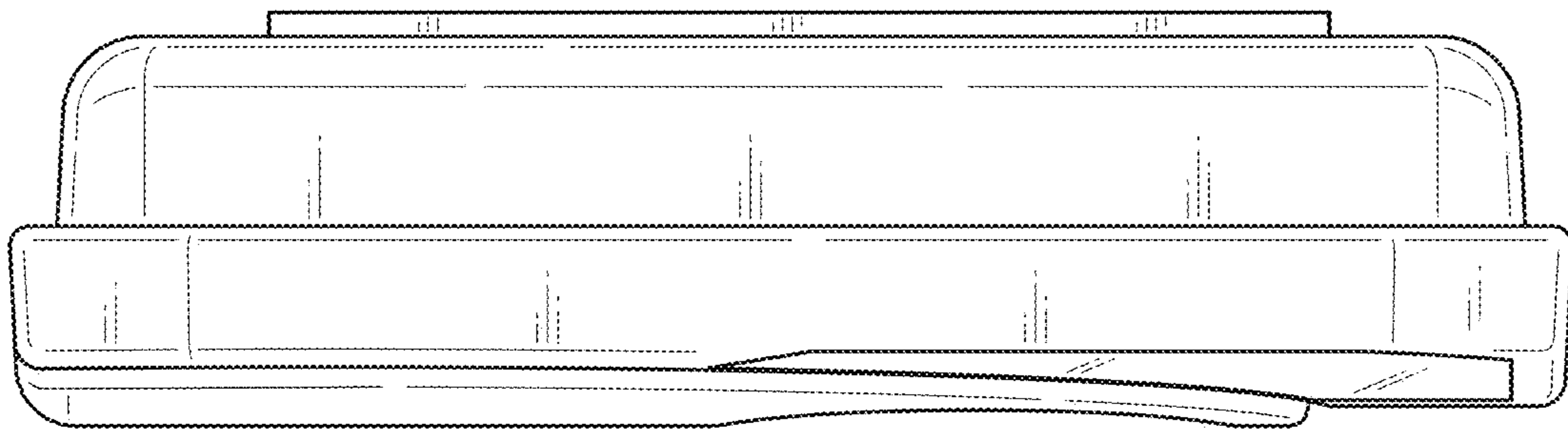


FIG. 8

