



US00D897320S

(12) **United States Design Patent**
Boyd et al.

(10) **Patent No.:** **US D897,320 S**

(45) **Date of Patent:** **** Sep. 29, 2020**

(54) **PAIR OF EARPHONES**

(71) Applicant: **Apple Inc.**, Cupertino, CA (US)

(72) Inventors: **Robert Boyd**, Los Angeles, CA (US);
Sean Stewart Corbin, South Lake Tahoe, CA (US); **Duy P. Le**, Los Angeles, CA (US); **Guillaume Raoult**, San Francisco, CA (US); **Christopher Kuh**, San Francisco, CA (US); **Robert Brunner**, Glen Ellen, CA (US)

(73) Assignee: **Apple Inc.**, Cupertino, CA (US)

(**) Term: **15 Years**

(21) Appl. No.: **29/685,002**

(22) Filed: **Mar. 25, 2019**

(51) **LOC (12) Cl.** **14-01**

(52) **U.S. Cl.**
USPC **D14/223**

(58) **Field of Classification Search**
USPC D14/223, 205; D24/174; 128/867;
381/380, 381; 455/90.3, 575.1, 569.1
CPC H04R 1/10; H04R 1/1033; H04R 25/00;
H04R 1/1066; H04R 1/1016; H04R
5/033; H04R 5/0335; H04R 1/105
See application file for complete search history.

(56) **References Cited**

U.S. PATENT DOCUMENTS

968,008 A	8/1910	Waller
1,558,191 A	10/1925	Lindemann
2,009,390 A	7/1935	Bayardi
2,261,448 A	11/1939	Peterson
2,248,837 A	7/1941	Walters
2,430,229 A	11/1947	Kelsey
2,474,135 A	6/1949	White
2,545,731 A	3/1951	French
2,719,523 A	10/1955	von Gierke

2,739,660 A	3/1956	French
3,319,736 A	5/1967	Reynolds
D233,444 S	10/1974	Christian et al.
D241,881 S	10/1976	Peterson et al.
4,133,984 A	1/1979	Akiyama
4,253,452 A	3/1981	Powers et al.
D259,279 S	5/1981	Takeda
D270,634 S	9/1983	Ungar
D276,143 S	10/1984	Williams
4,646,872 A	3/1987	Kamon et al.
D299,344 S	1/1989	Stevens

(Continued)

FOREIGN PATENT DOCUMENTS

EM	002765230-0001	9/2015
EM	004596161-0001	* 1/2018

(Continued)

Primary Examiner — Paula Allen Greene

(74) *Attorney, Agent, or Firm* — Sterne, Kessler, Goldstein & Fox P.L.L.C.

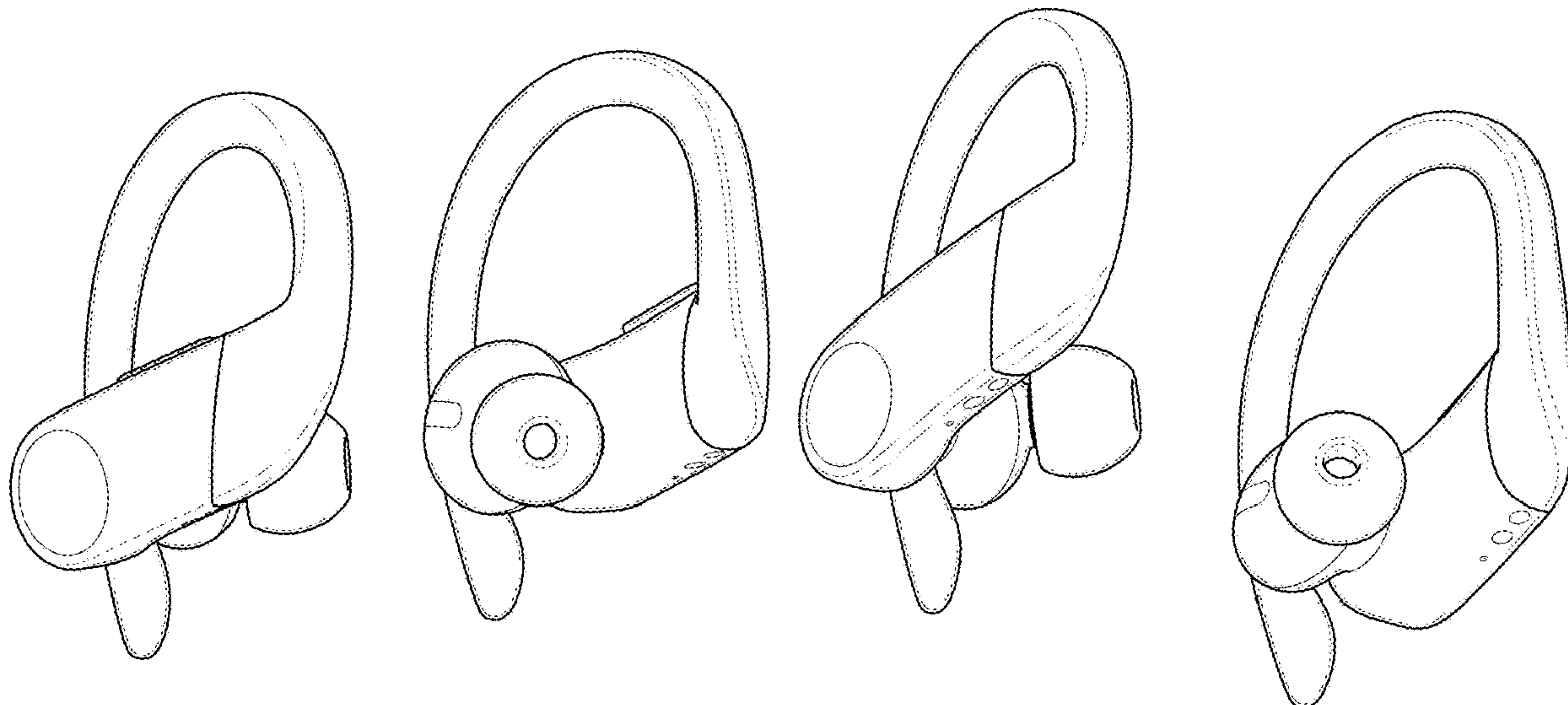
(57) **CLAIM**

The ornamental design for a pair of earphones, as shown and described.

DESCRIPTION

FIG. 1 is a front perspective view of a pair of earphones showing the claimed design;
FIG. 2 is a bottom front perspective view thereof;
FIG. 3 is a front view thereof;
FIG. 4 is a rear view thereof;
FIG. 5 is a left side view thereof;
FIG. 6 is a right side view thereof;
FIG. 7 is a top view thereof;
FIG. 8 is a bottom view thereof;
FIG. 9 is a left side view of one of the earphones shown separately; and,
FIG. 10 is a right side view of the opposite earphone shown separately.

1 Claim, 8 Drawing Sheets



(56)

References Cited

U.S. PATENT DOCUMENTS

D299,454 S	1/1989	Kwong		D575,772 S	8/2008	Schultz et al.	
D304,191 S	10/1989	Sekine		D576,154 S	9/2008	Ledbetter et al.	
D309,306 S	7/1990	Weiser et al.		D578,507 S	10/2008	Ando	
4,997,055 A	3/1991	Grady		D579,005 S	10/2008	Wilhelmsen	
D316,550 S	4/1991	Sogabe		D579,444 S	10/2008	Ewert et al.	
D318,670 S	7/1991	Taniguchi		D579,923 S	11/2008	Andre et al.	
D326,655 S *	6/1992	Iribe	D14/192	D582,398 S	12/2008	Nam et al.	
D326,855 S	6/1992	Bose et al.		D584,293 S	1/2009	Kim et al.	
D331,966 S	12/1992	Gardner, Jr.		D584,294 S	1/2009	Nam et al.	
5,179,501 A	1/1993	Ocken et al.		D585,881 S	2/2009	Nam et al.	
D334,043 S	3/1993	Taniguchi et al.		D587,681 S	3/2009	Yanai	
5,210,792 A	5/1993	Kajihara		D587,685 S	3/2009	Densho	
5,410,608 A	4/1995	Lucey et al.		D589,493 S	3/2009	Densho	
D375,959 S	11/1996	Davis et al.		D591,264 S	4/2009	Hong et al.	
5,625,171 A	4/1997	Marshall		D591,721 S	5/2009	Densho	
5,659,156 A	8/1997	Mauney et al.		D593,075 S	5/2009	Williams et al.	
D383,757 S	9/1997	Dobmsskin et al.		D594,441 S	6/2009	Lee et al.	
D385,254 S	10/1997	Owusu		7,551,748 B2	6/2009	Kamo et al.	
D403,300 S	12/1998	Renk		D597,084 S	7/2009	Gondo	
D421,755 S	3/2000	Pitel		D598,894 S	8/2009	Masuda et al.	
6,056,082 A	5/2000	Lindgren et al.		D598,901 S	8/2009	Lee et al.	
D430,060 S	8/2000	Kavalek		D599,778 S	9/2009	Ando	
6,101,260 A	8/2000	Jensen et al.		D599,781 S	9/2009	Lee et al.	
D436,623 S	1/2001	Schmidt et al.		D600,675 S	9/2009	Lee et al.	
6,233,344 B1	5/2001	Clegg et al.		D601,126 S	9/2009	Christopher et al.	
D443,261 S	6/2001	Yuyama		D601,548 S	10/2009	Morisawa	
D443,859 S	6/2001	Hogan		D602,475 S	10/2009	Martin	
D457,514 S	5/2002	Marion et al.		D602,905 S	10/2009	Morisawa	
D459,342 S	6/2002	Marion et al.		D603,378 S	11/2009	Paradise	
D460,749 S	7/2002	Liu		D603,837 S	11/2009	Martin	
6,427,018 B1	7/2002	Keliiliki		D603,847 S	11/2009	Chung	
D463,791 S	10/2002	Nagai et al.		D604,272 S	11/2009	Kitayama	
D470,129 S	2/2003	Hlas et al.		D605,628 S	12/2009	Ando	
D471,889 S	3/2003	Rath et al.		D606,048 S	12/2009	Soetejo et al.	
D475,996 S	6/2003	Skulley		D606,971 S	12/2009	Christopher et al.	
D477,593 S	6/2003	Komiyama		D607,875 S	1/2010	Pedersen, II	
D481,377 S	10/2003	Eguchi		7,648,005 B2	1/2010	Leong et al.	
D482,348 S	11/2003	Villaverde et al.		D609,698 S	2/2010	Ng	
D484,166 S	12/2003	Senda		7,664,287 B2	2/2010	Neu et al.	
6,728,388 B1	4/2004	Nageno et al.		7,681,577 B2	3/2010	Blanchard	
6,738,487 B1	5/2004	Nageno et al.		D613,274 S	4/2010	Lee et al.	
6,771,790 B2	8/2004	Liu		D614,168 S	4/2010	Rogers et al.	
D501,196 S	1/2005	Dyer et al.		7,708,110 B2	5/2010	Leong et al.	
6,868,284 B2	3/2005	Bae		D617,780 S	6/2010	Jaakkola et al.	
D508,479 S	8/2005	Okada		D618,211 S	6/2010	Oguro et al.	
D508,911 S	8/2005	Sanders		D618,669 S	6/2010	Johnson et al.	
D510,085 S	9/2005	Suzuki		D619,561 S *	7/2010	Yang	D14/205
D510,575 S	10/2005	Leong		D622,707 S	8/2010	Chen et al.	
D526,642 S	8/2006	Choe		D623,171 S	9/2010	Chen et al.	
D528,531 S	9/2006	Rose et al.		D624,529 S	9/2010	Huang	
D529,901 S	10/2006	Ohta		D624,901 S	10/2010	Blanchard	
D535,642 S	1/2007	Garcia et al.		D626,117 S	10/2010	Lowry	
D538,269 S	3/2007	Tragatschnig		D627,764 S	11/2010	Tsai et al.	
D538,270 S	3/2007	Kim et al.		7,841,446 B2	11/2010	Leong et al.	
D538,271 S	3/2007	Kim et al.		D628,555 S	12/2010	Ponzio et al.	
D538,792 S	3/2007	Kim et al.		D630,179 S	1/2011	Park et al.	
D539,268 S	3/2007	Suzuki		D631,037 S	1/2011	Park et al.	
D539,787 S	4/2007	Kim et al.		D631,470 S	1/2011	Yoneyama et al.	
D542,267 S *	5/2007	Cha	D14/206	D634,305 S	3/2011	Hoggarth	
D542,282 S	5/2007	Yoshiyama		D635,960 S *	4/2011	Gondo	D14/223
D543,968 S	6/2007	Wong		D636,763 S	4/2011	Walter	
D543,972 S	6/2007	Taylor		D637,182 S	5/2011	Lee et al.	
7,231,056 B2	6/2007	Chen		D637,998 S	5/2011	Brunner et al.	
D550,202 S	9/2007	Meier et al.		D637,999 S	5/2011	Brunner et al.	
D550,657 S	9/2007	Gan et al.		D638,409 S	5/2011	Walter	
D554,109 S	10/2007	Ledbetter et al.		D641,008 S	7/2011	Lee et al.	
D554,627 S	11/2007	Gondo		D641,010 S	7/2011	Kwon	
D556,735 S	12/2007	Yeo		D641,736 S	7/2011	Brunner et al.	
D558,735 S	1/2008	Carr et al.		D642,163 S	7/2011	Lee et al.	
D559,837 S	1/2008	Nakano		D643,414 S	8/2011	Lee et al.	
D564,495 S	3/2008	Sasaki		D643,416 S	8/2011	Chong et al.	
D566,104 S	4/2008	Suzuki		D643,417 S	8/2011	Lee et al.	
D569,841 S	5/2008	Chung et al.		D643,418 S	8/2011	Lee et al.	
D574,361 S	8/2008	Sasaki		8,068,633 B2	11/2011	Lee et al.	
D574,367 S	8/2008	Jaakkola et al.		D652,817 S	1/2012	Lee et al.	
				D652,822 S	1/2012	Lee et al.	
				8,090,135 B2	1/2012	Lin	
				D656,490 S *	3/2012	Birger	D14/223

(56)

References Cited

U.S. PATENT DOCUMENTS

D658,157 S 4/2012 McManigal
 8,265,328 B2 9/2012 Milde et al.
 D668,631 S 10/2012 Katsumata et al.
 D671,523 S 11/2012 Daniel
 D678,251 S 3/2013 Cantoni et al.
 D685,768 S * 7/2013 Mogili D14/223
 D686,196 S 7/2013 Lee et al.
 D691,580 S * 10/2013 Cho D14/205
 D695,275 S * 12/2013 Chee D14/223
 D699,213 S 2/2014 Burgett et al.
 8,655,005 B2 * 2/2014 Birger H04M 1/05
 379/430
 D700,905 S 3/2014 Pavitsich
 D707,652 S 6/2014 Brunner et al.
 D710,333 S * 8/2014 Davies H04R 1/10
 D14/223
 D712,382 S * 9/2014 Brunner D14/223
 D713,385 S 9/2014 Burgett et al.
 D713,822 S 9/2014 Paradise et al.
 D716,770 S 11/2014 Bonahoom et al.
 8,908,899 B1 * 12/2014 Yang H04R 1/1033
 381/370
 D725,637 S * 3/2015 Nakajima D14/223
 D730,876 S 6/2015 Dahlberg
 D732,509 S 6/2015 Brunner et al.
 D734,744 S 7/2015 Brunner et al.
 D739,377 S * 9/2015 Yeom D14/205
 D740,260 S 10/2015 Brunner et al.
 D741,299 S 10/2015 Brunner et al.
 D743,945 S 11/2015 Brunner et al.
 D743,946 S * 11/2015 Brunner D14/223
 9,197,956 B2 11/2015 Iseberg et al.
 D745,862 S * 12/2015 Otani D14/223
 D759,634 S 6/2016 Brunner et al.
 D767,532 S 9/2016 Jen
 D775,610 S * 1/2017 Nakajima D14/223
 D778,257 S * 2/2017 Hu D14/205
 D780,721 S 3/2017 Brunner et al.
 D782,996 S * 4/2017 Zhu D14/205
 D787,477 S 5/2017 Lee
 D792,378 S 6/2017 Brunner et al.
 D796,487 S 9/2017 Brunner et al.
 D799,316 S 10/2017 Thain et al.

D806,684 S * 1/2018 Tsai D14/223
 D807,331 S * 1/2018 Morimoto D14/223
 D809,487 S 2/2018 Lee et al.
 D810,053 S * 2/2018 Otani D14/223
 D816,060 S * 4/2018 Wei D14/205
 D817,301 S 5/2018 Aoyagi et al.
 D817,305 S * 5/2018 Hsieh D14/206
 D821,364 S 6/2018 Brunner et al.
 D831,610 S 10/2018 Aoyagi et al.
 D834,003 S 11/2018 Maeda
 D838,256 S * 1/2019 Wang D14/205
 D838,692 S 1/2019 Fu
 D843,344 S * 3/2019 Zhu D14/205
 D844,588 S * 4/2019 Brunner D14/223
 D845,926 S 4/2019 Aoyagi et al.
 D847,780 S 5/2019 Brunner et al.
 D860,164 S * 9/2019 Lin D14/205
 D869,435 S * 12/2019 Sanhua D14/205
 D873,789 S * 1/2020 Hu D14/205
 D878,338 S * 3/2020 Yang D14/223
 D881,850 S * 4/2020 Zhang D14/223
 D883,259 S * 5/2020 Ma D14/223
 D885,370 S * 5/2020 Hu D14/223
 2007/0104345 A1 * 5/2007 Yang H04R 1/1066
 381/381
 2009/0285434 A1 11/2009 Williams et al.
 2011/0051979 A1 3/2011 Lee et al.
 2011/0176700 A1 7/2011 Hashimoto
 2013/0216087 A1 8/2013 MacDonald
 2014/0072137 A1 * 3/2014 Nelson H04R 1/1041
 381/74
 2014/0119555 A1 * 5/2014 Lu H04R 25/554
 381/74
 2014/0138150 A1 5/2014 Huang
 2014/0166389 A1 6/2014 Young-Mun
 2015/0330478 A1 * 11/2015 Grewal H04R 1/1033
 381/384
 2017/0105679 A1 4/2017 Gil

FOREIGN PATENT DOCUMENTS

EM 006377511-0001 * 4/2019
 EM 006910618-0001 * 9/2019
 EM 006950184-0001 * 9/2019
 JP D1616785 10/2018

* cited by examiner

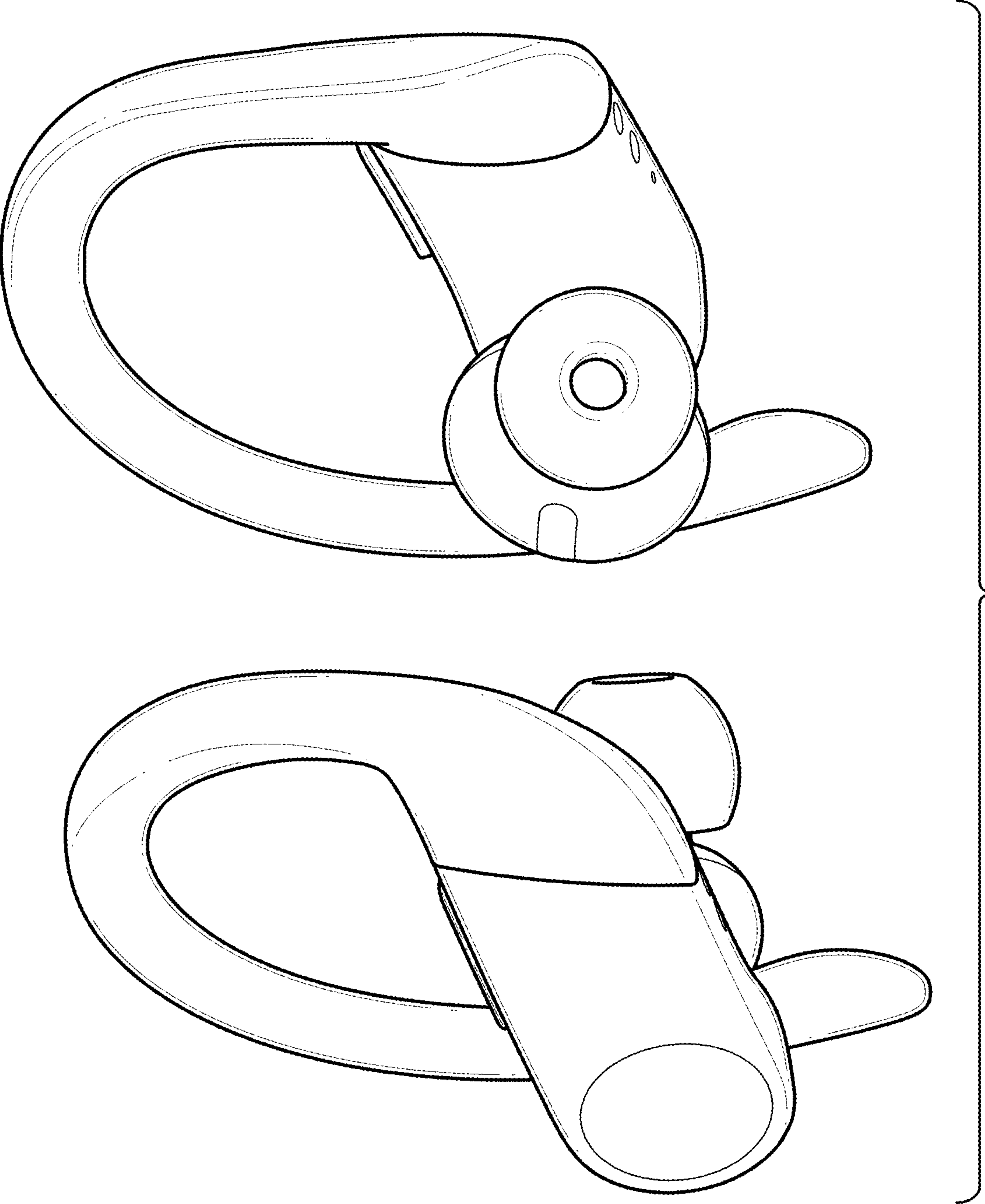


FIG. 1

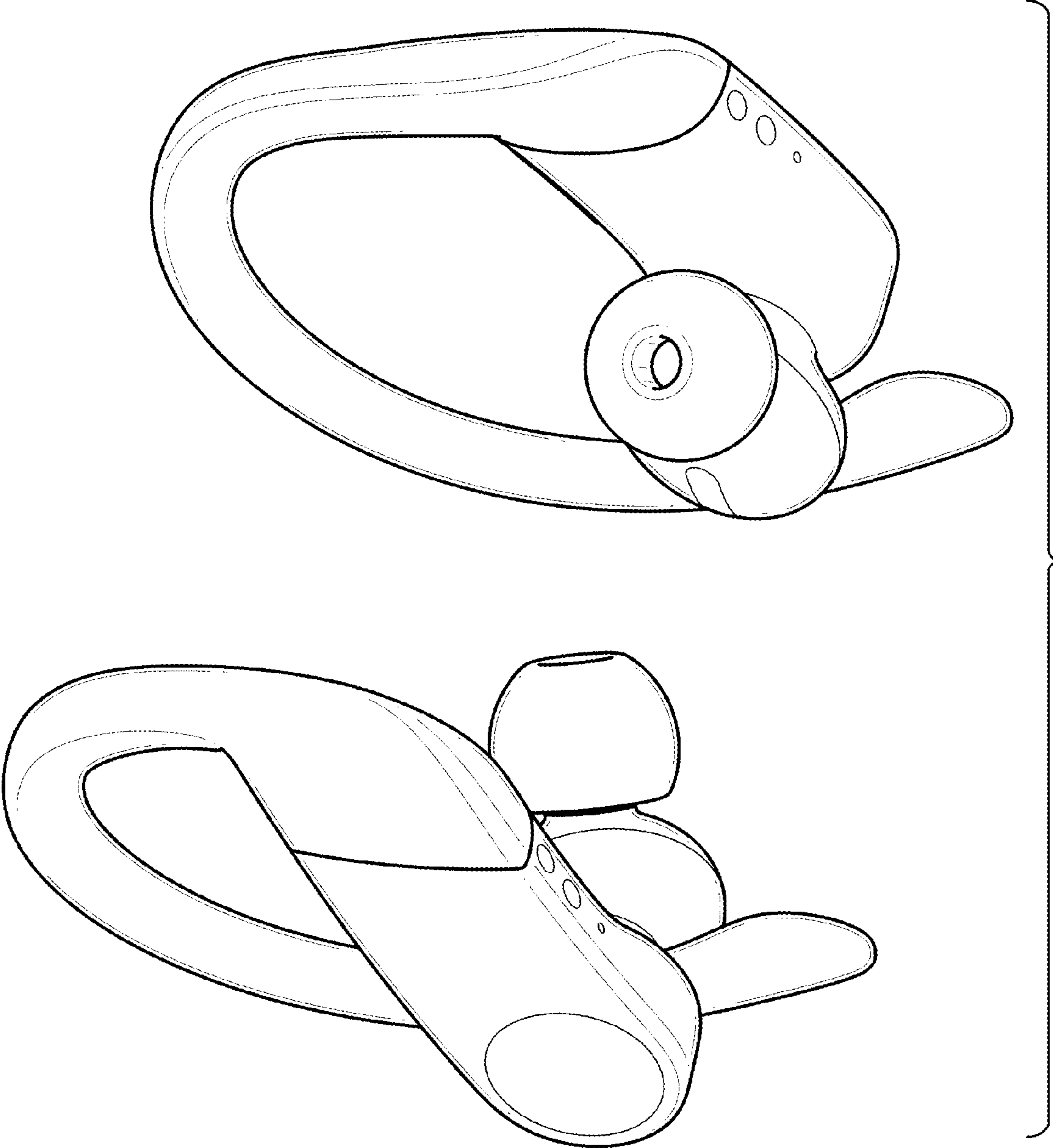


FIG. 2

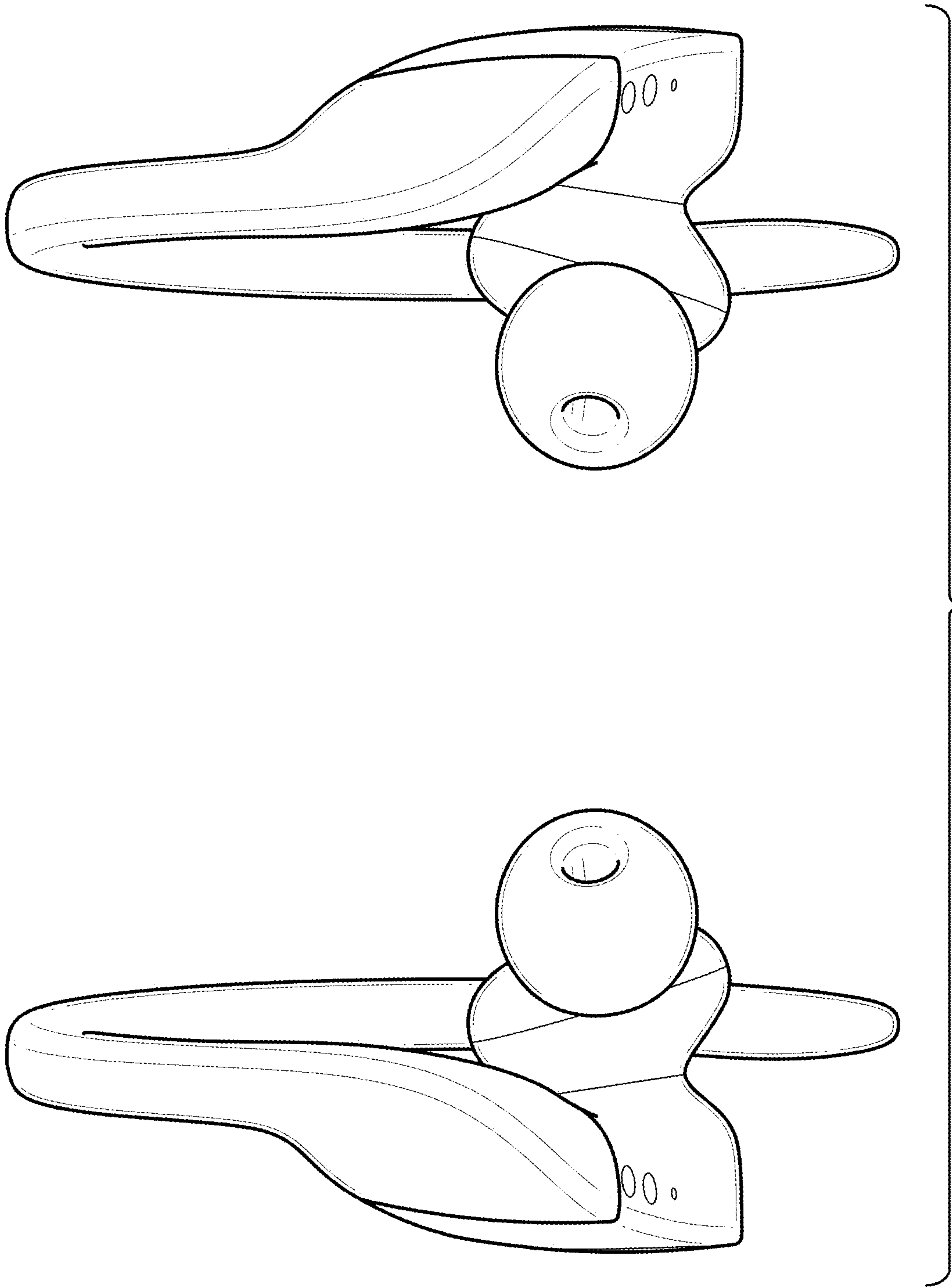


FIG. 3

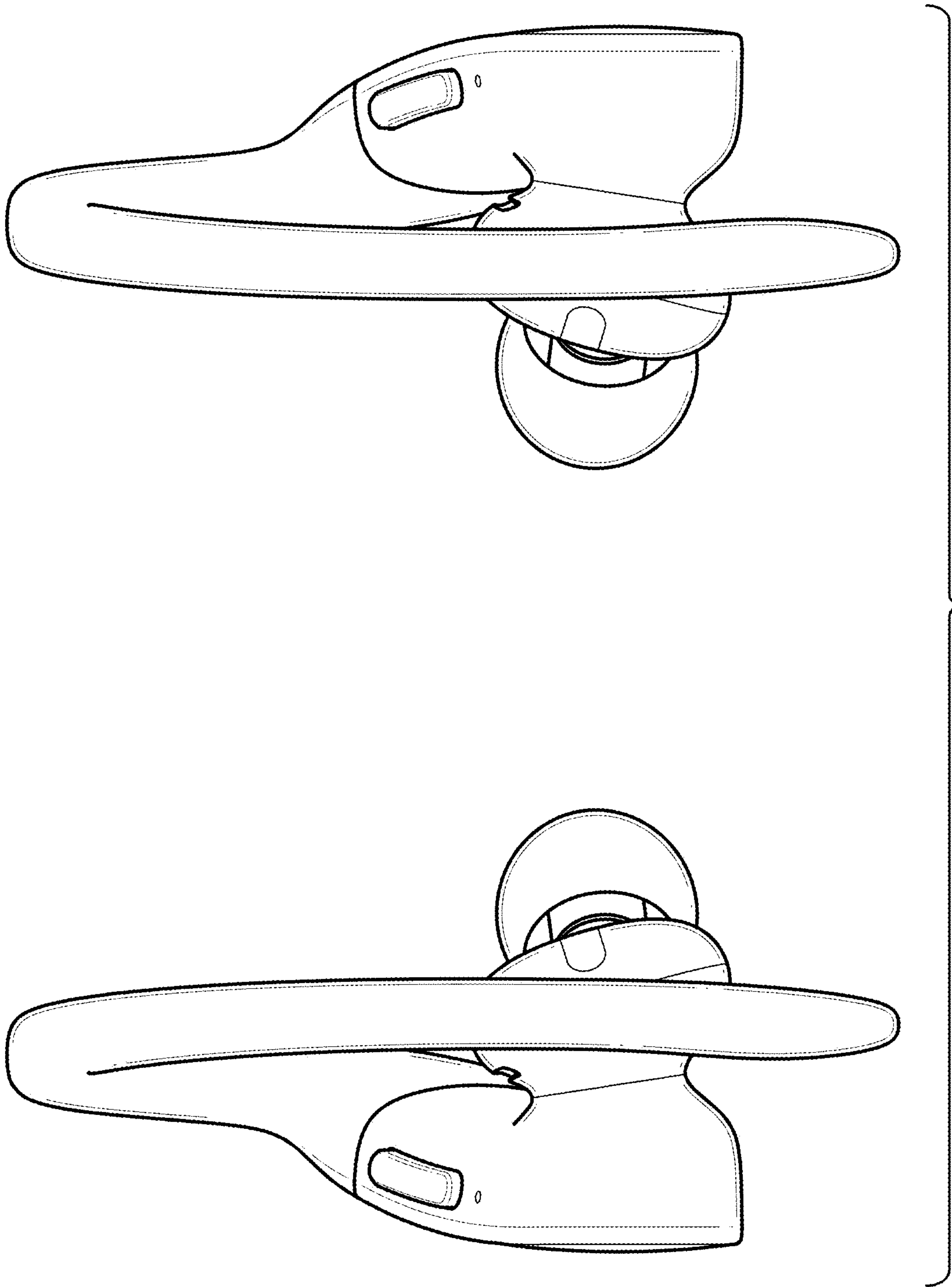


FIG. 4

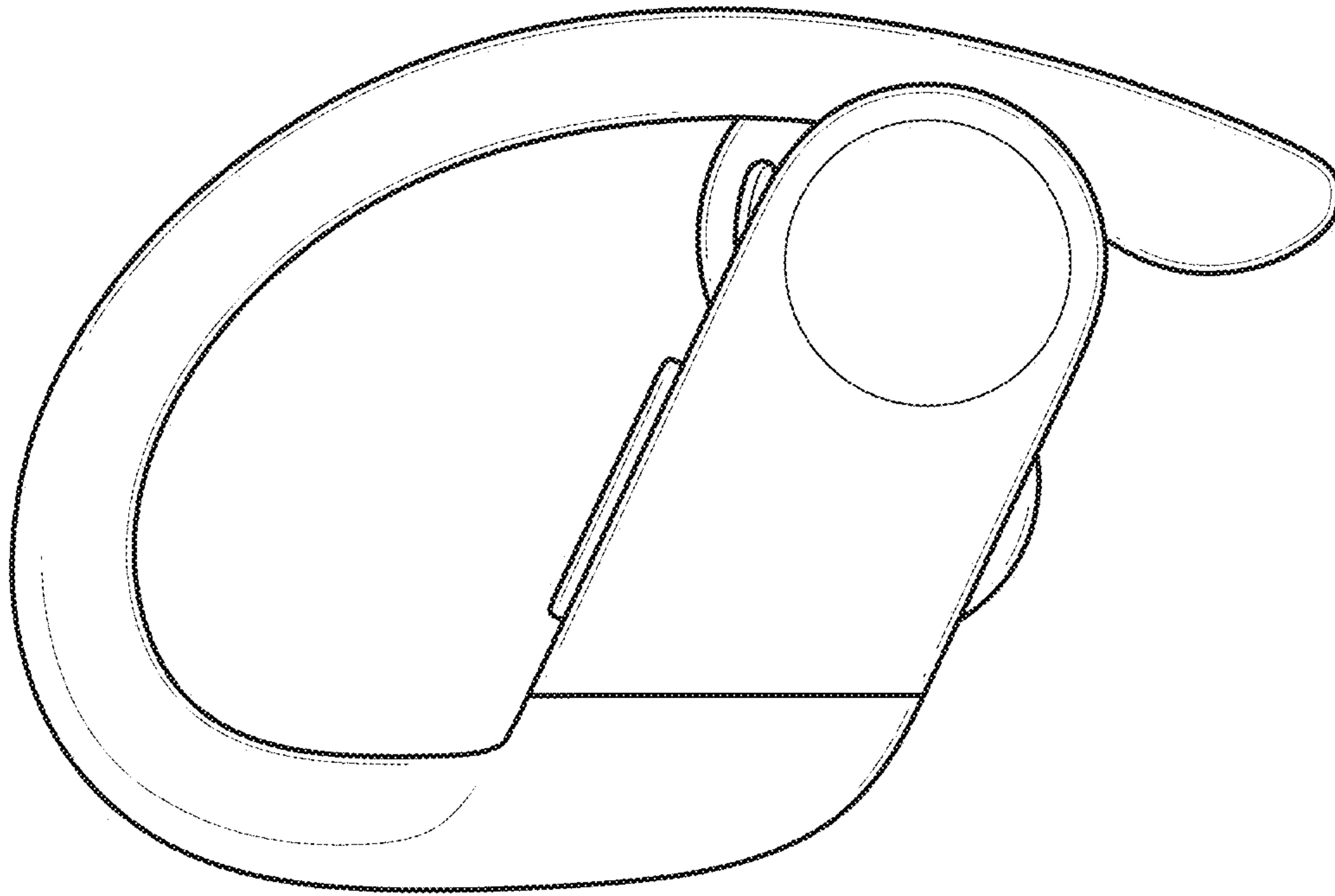


FIG. 6

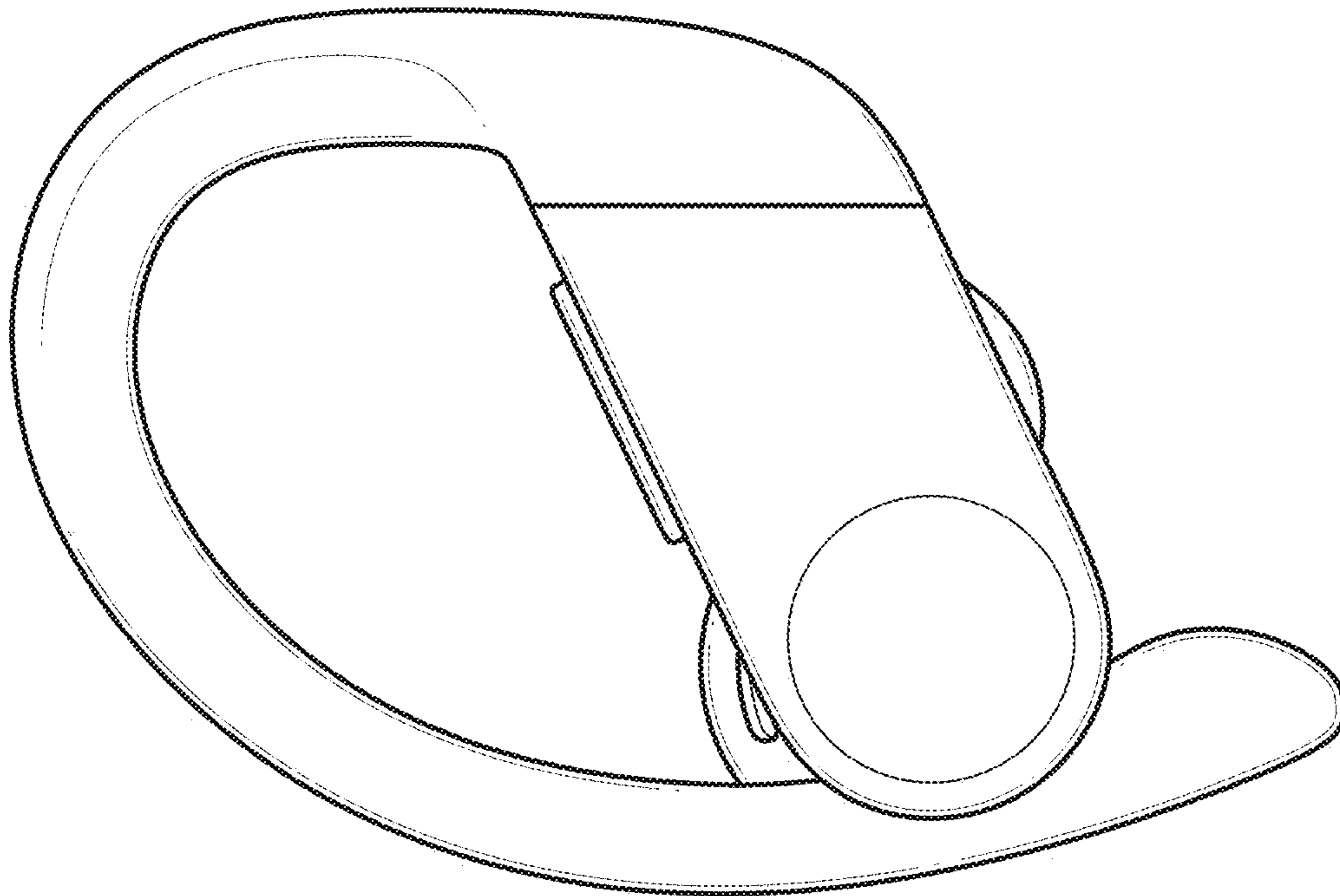


FIG. 5

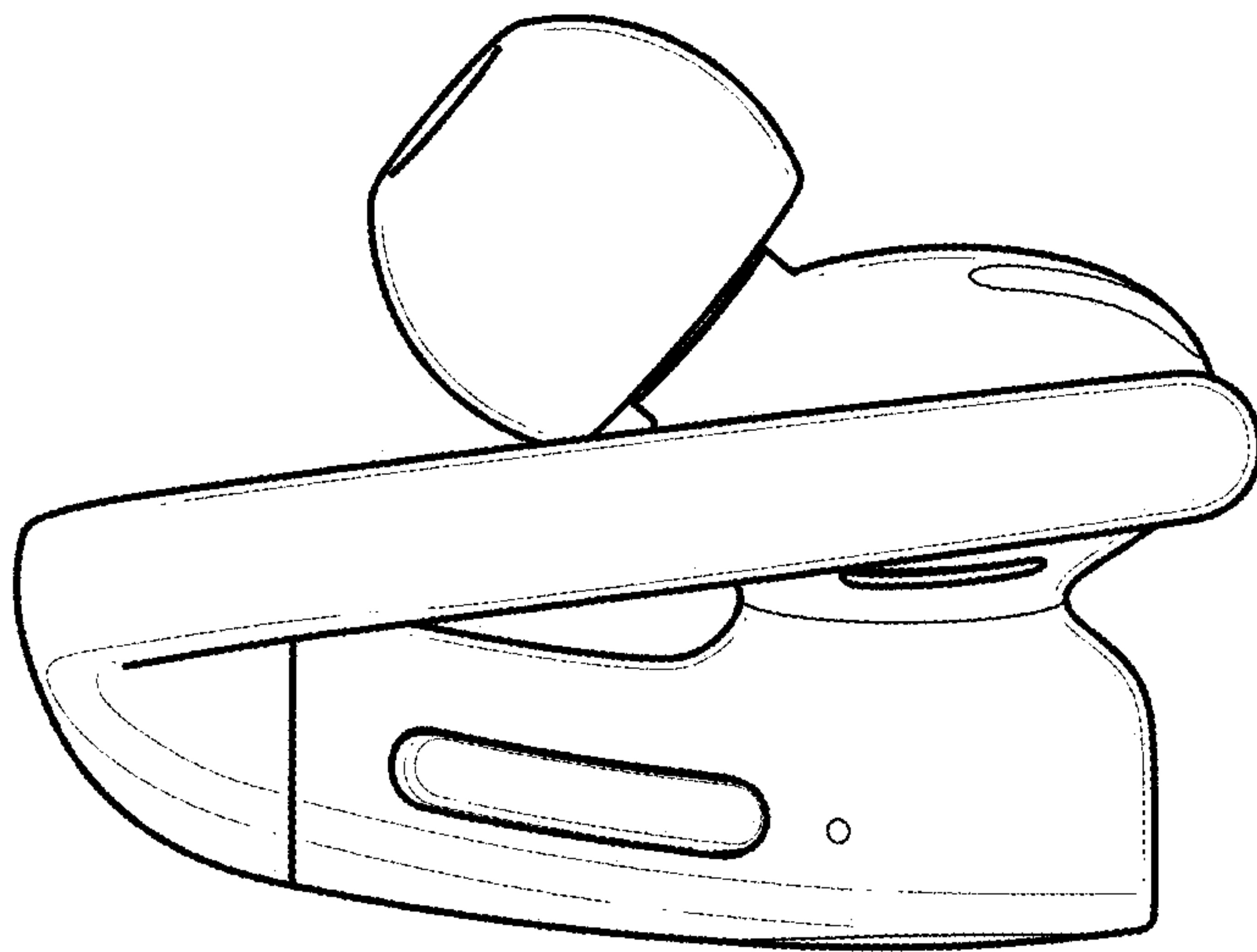
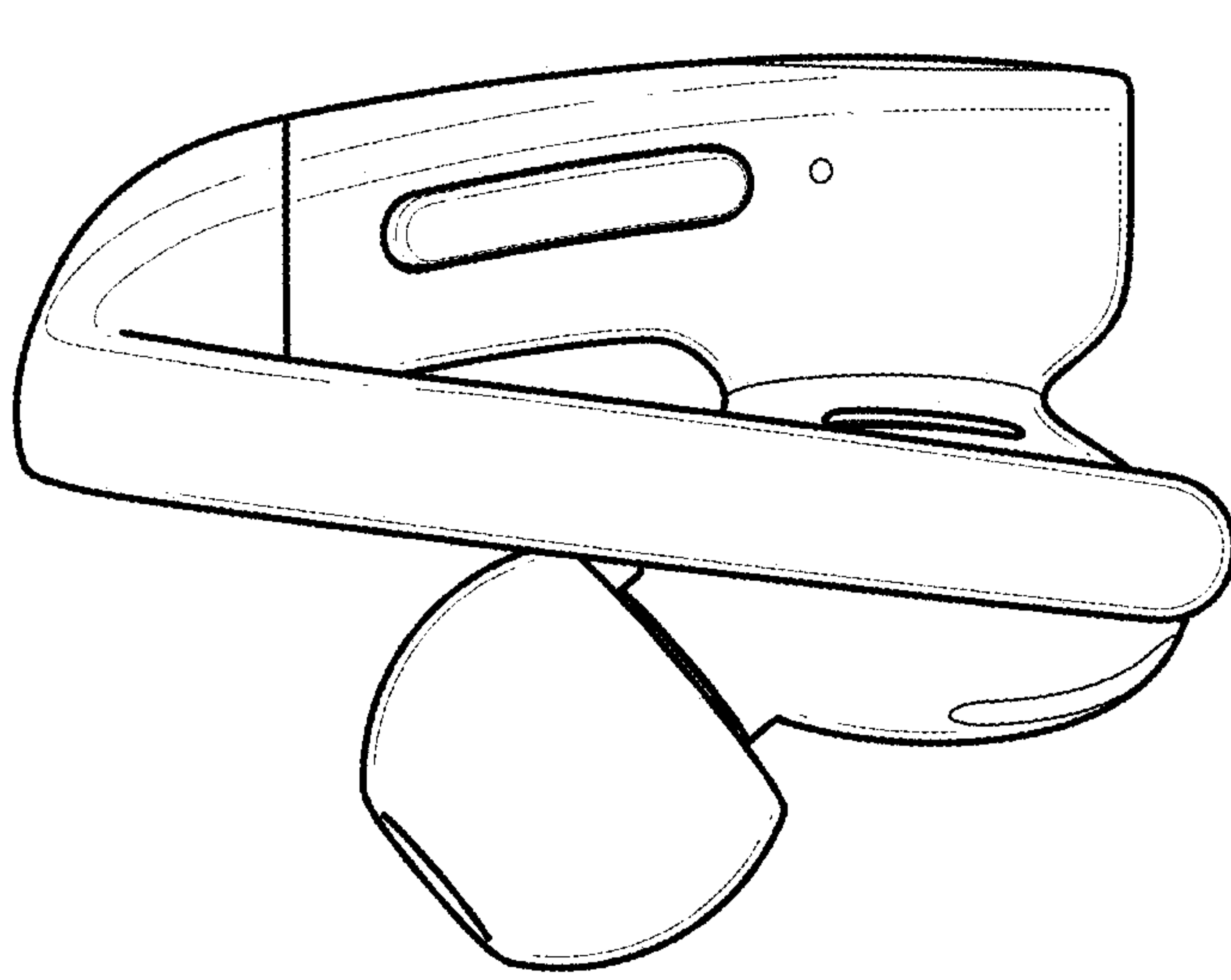


FIG. 7

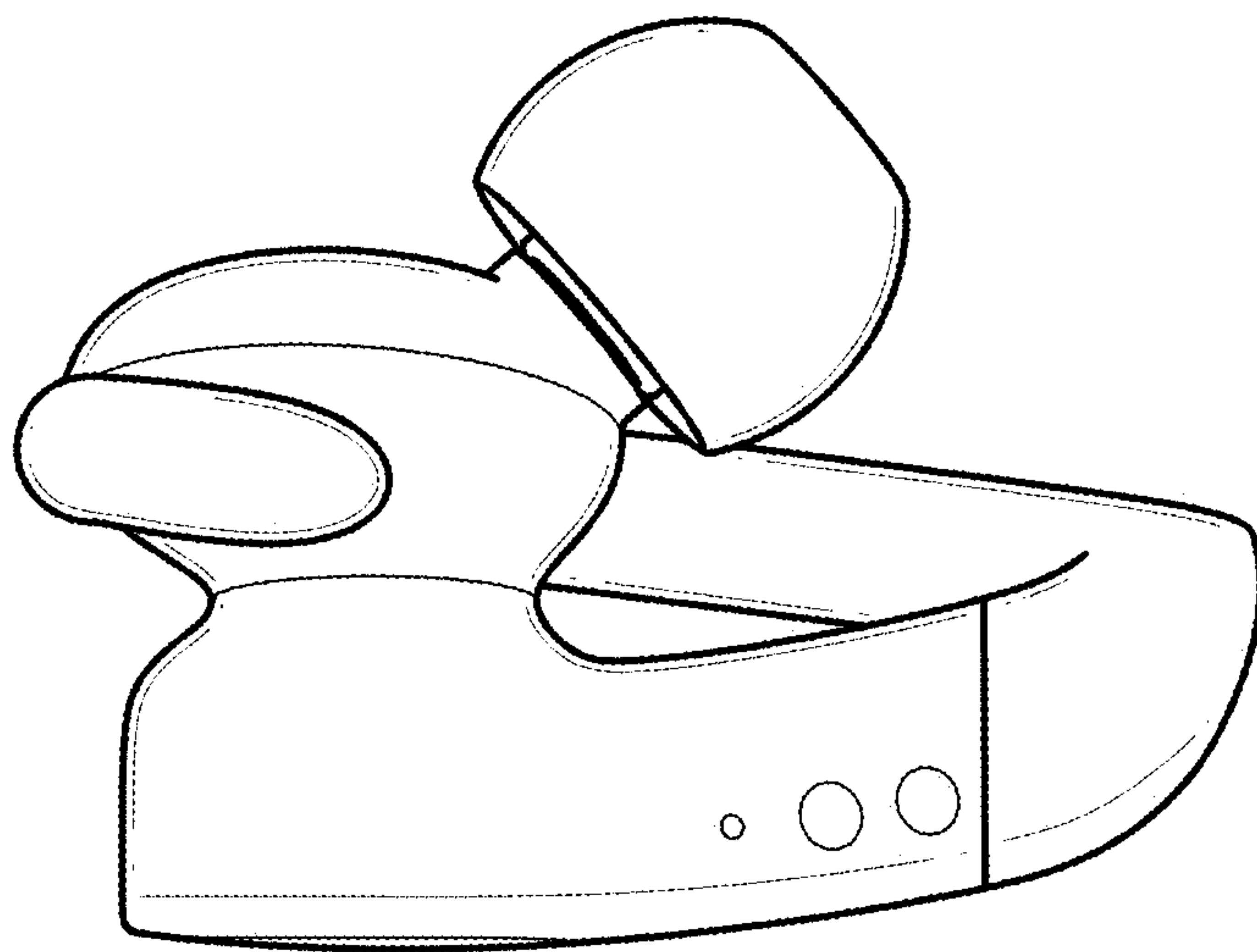
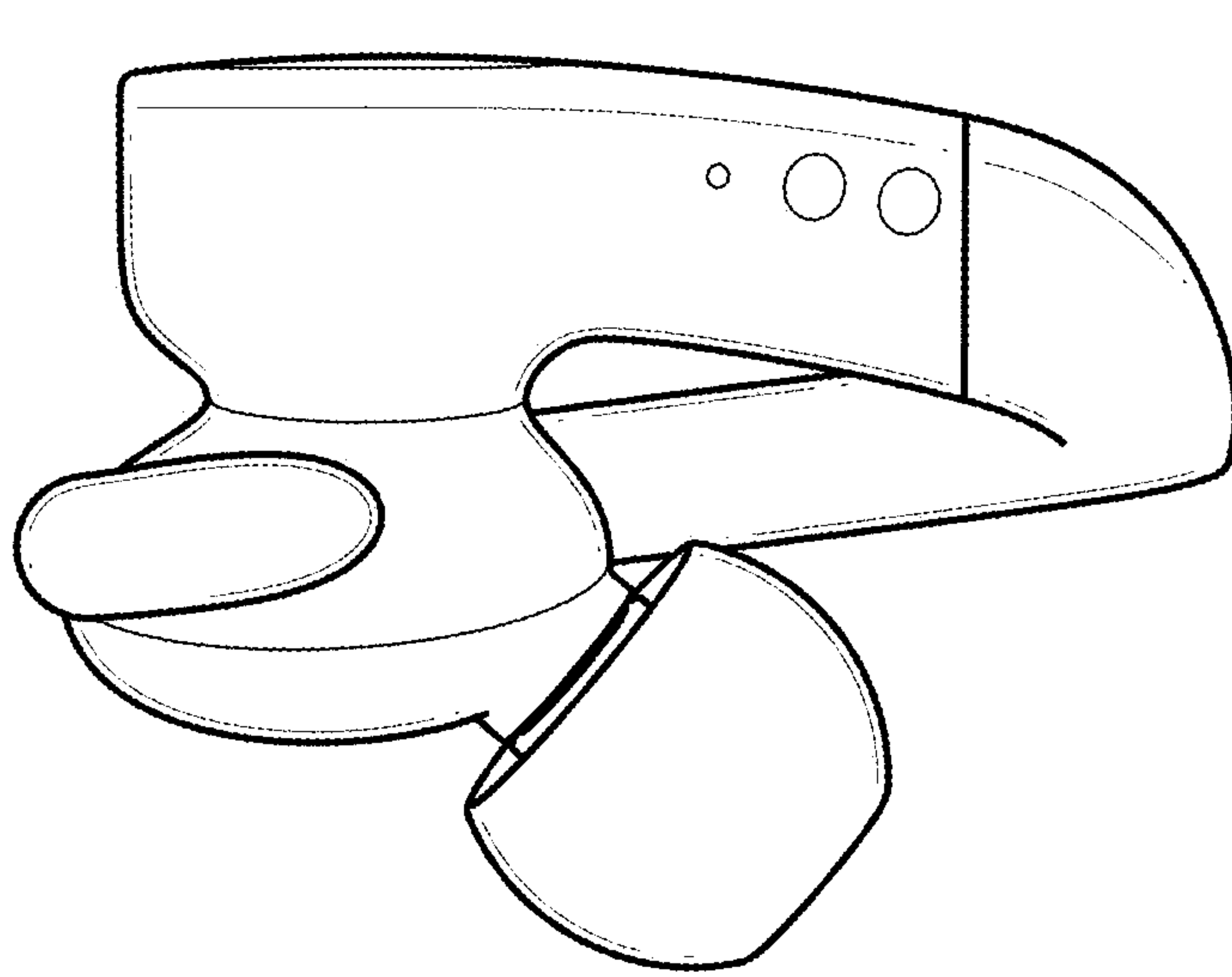


FIG. 8

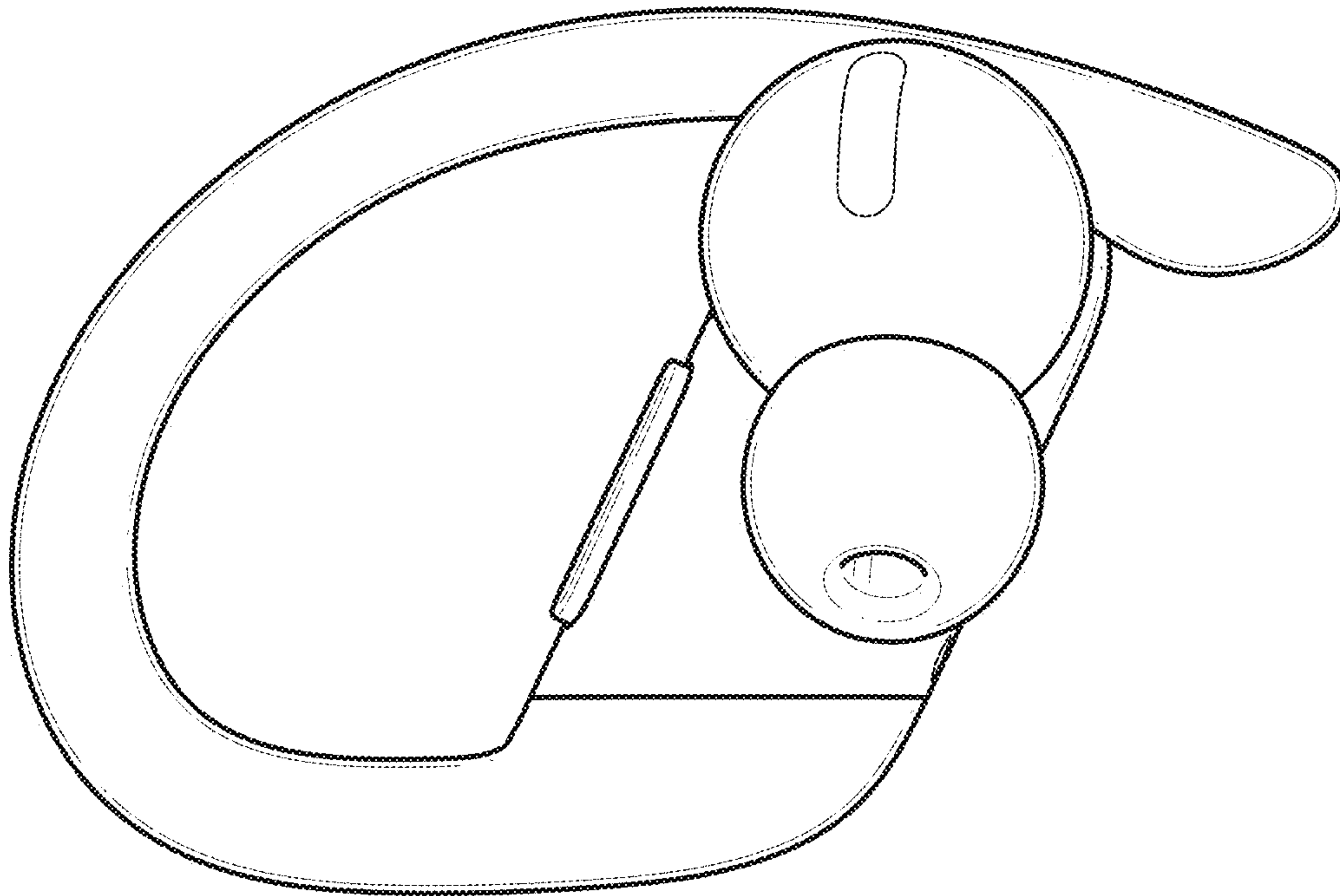


FIG. 10

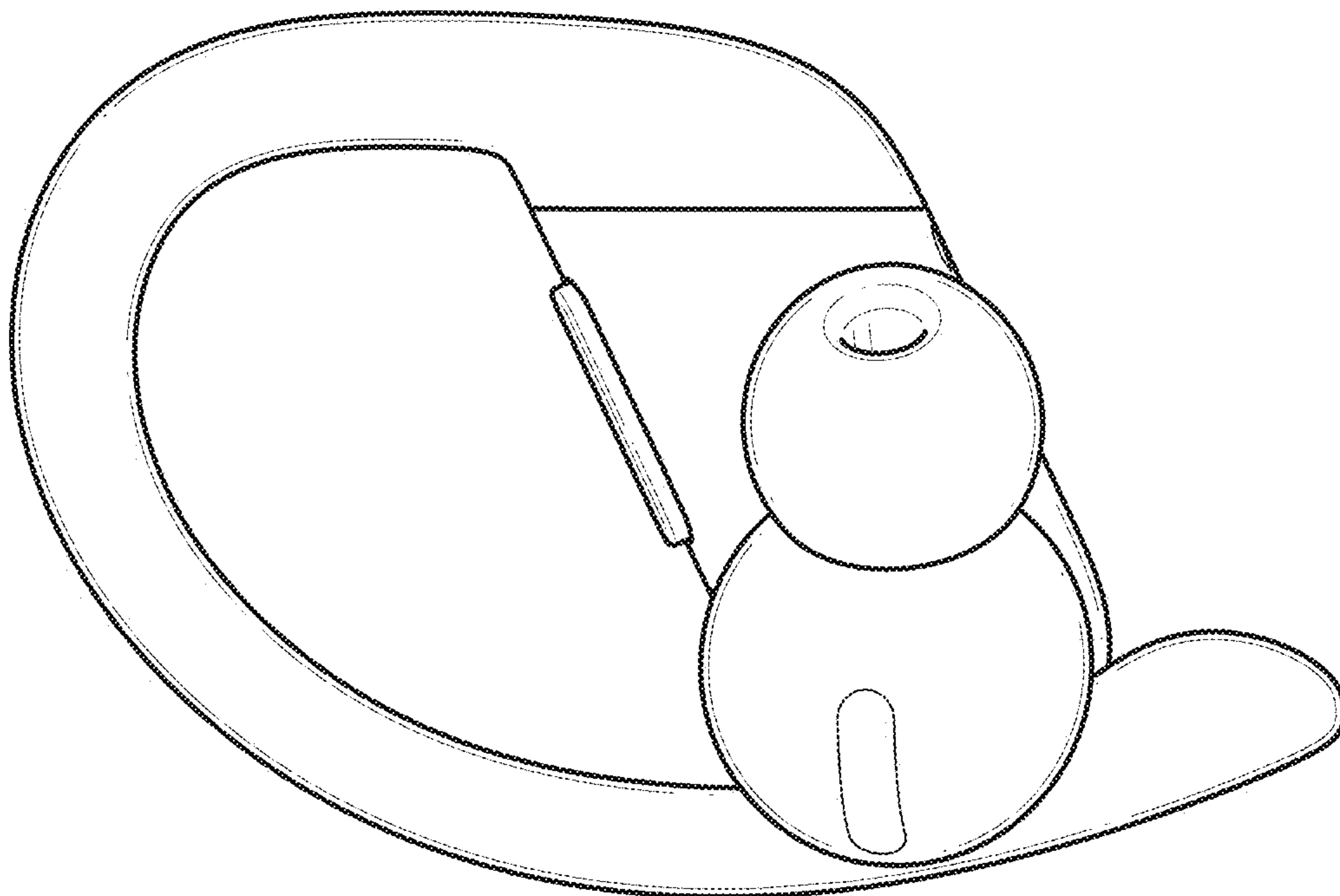


FIG. 9