



US00D897318S

(12) **United States Design Patent** (10) **Patent No.:** **US D897,318 S**
Blundell et al. (45) **Date of Patent:** **** Sep. 29, 2020**

(54) **WIRELESS EARBUD**
(71) Applicant: **Gentex Corporation**, Simpson, PA (US)
(72) Inventors: **Michael Pearson Blundell**, Windham, NH (US); **Christopher A. Hudson**, Bedford, NH (US); **Zoltan S. Brutler**, Groton, MA (US)
(73) Assignee: **GENTEX CORPORATION**, Simpson, PA (US)
(**) Term: **15 Years**
(21) Appl. No.: **29/662,165**
(22) Filed: **Sep. 4, 2018**
(51) **LOC (12) Cl.** **14-01**
(52) **U.S. Cl.**
USPC **D14/223**
(58) **Field of Classification Search**
USPC ... D14/205, 207, 209.1, 217, 218, 221, 223, D14/224, 224.1, 225; D24/173, 174, 106, D24/105
CPC H04R 1/00; H04R 1/10; H04R 1/1016; H04R 1/1066; H04R 1/105; H04R 1/1033; H04R 1/1083; H04R 1/1091; H04R 5/033; H04R 5/0335; H04R 25/00
See application file for complete search history.

D868,752 S * 12/2019 Zhu D14/223
D869,431 S * 12/2019 Czaniecki D14/205
D869,434 S * 12/2019 Biao D14/205
D871,366 S * 12/2019 Petersen D14/205
(Continued)

FOREIGN PATENT DOCUMENTS

JP 2015111750 A * 6/2015
JP 2019186870 A * 10/2019

OTHER PUBLICATIONS

Gentex Wire-Free Communication Earplugs, announced © 2020 [online], retrieved Feb. 26, 2020, retrieved from internet, <https://shop.gentexcorp.com/gentex-wire-free-communication-earplugs-wcep-kit/>.*

Primary Examiner — Barbara Fox
Assistant Examiner — Messina L Smith
(74) *Attorney, Agent, or Firm* — Morgan, Lewis & Bockius LLP

(57) **CLAIM**

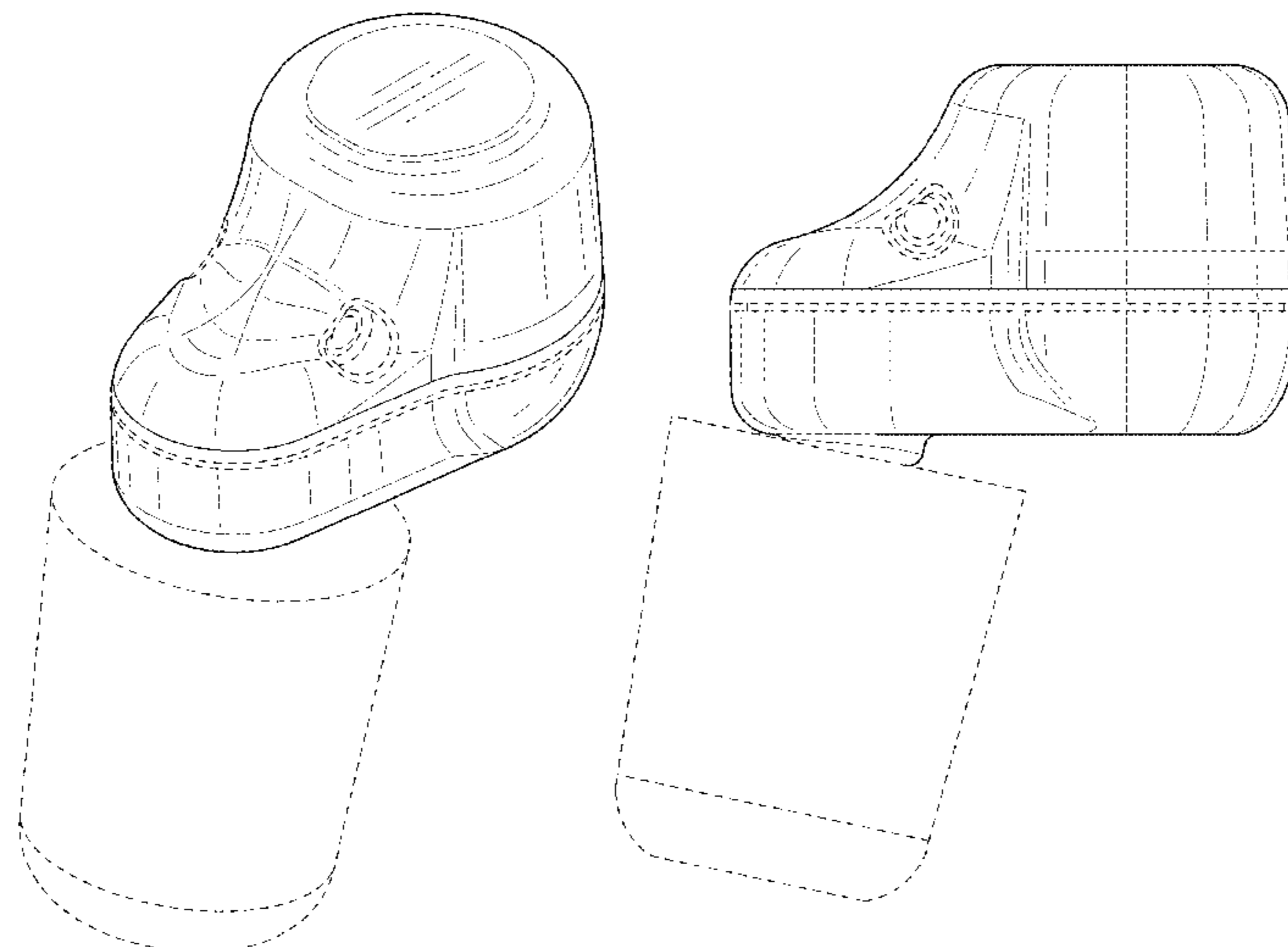
The ornamental design for a wireless earbud, as shown and described.

DESCRIPTION

FIG. 1 is a front perspective view of a wireless earbud showing our new design;
FIG. 2 is a rear perspective view thereof;
FIG. 3 is a front elevational view thereof;
FIG. 4 is a rear elevational view thereof;
FIG. 5 is a right-side elevational view thereof;
FIG. 6 is a left-side elevational view thereof;
FIG. 7 is a top plan view thereof; and,
FIG. 8 is a bottom plan view thereof.
The broken lines immediately adjacent to the shaded areas depict the bounds of the claimed design while all other broken lines depict portions of the wireless earbud; the broken lines form no part of the claimed design.

1 Claim, 8 Drawing Sheets

(56) **References Cited**
U.S. PATENT DOCUMENTS
D554,756 S * 11/2007 Sjursen D24/174
D657,499 S * 4/2012 Parkins et al.
D806,879 S * 1/2018 Horbinski D24/174
D812,042 S * 3/2018 Xiao D14/223
D813,205 S * 3/2018 Palmborg D14/223
D813,848 S * 3/2018 Palmborg D14/223
D818,990 S * 5/2018 Tzeng D14/205
D841,627 S * 2/2019 Wen D14/223
D858,489 S * 9/2019 Hu D14/223
D863,263 S * 10/2019 Yu D14/223
D865,722 S * 11/2019 Cai D14/223



(56)

References Cited

U.S. PATENT DOCUMENTS

D871,376 S *	12/2019	Zhou	D14/223
D872,063 S *	1/2020	Arimoto	D14/223
D872,064 S *	1/2020	Cai	D14/223
D873,238 S *	1/2020	Wen	D14/205
D873,805 S *	1/2020	Yang	D14/223
D875,714 S *	2/2020	Kim	D14/205
2017/0111725 A1 *	4/2017	Boesen	H04R 1/1041
2018/0131798 A1 *	5/2018	Hviid	H04R 1/1016
2020/0037084 A1 *	1/2020	Cheung	H04R 1/1083

* cited by examiner

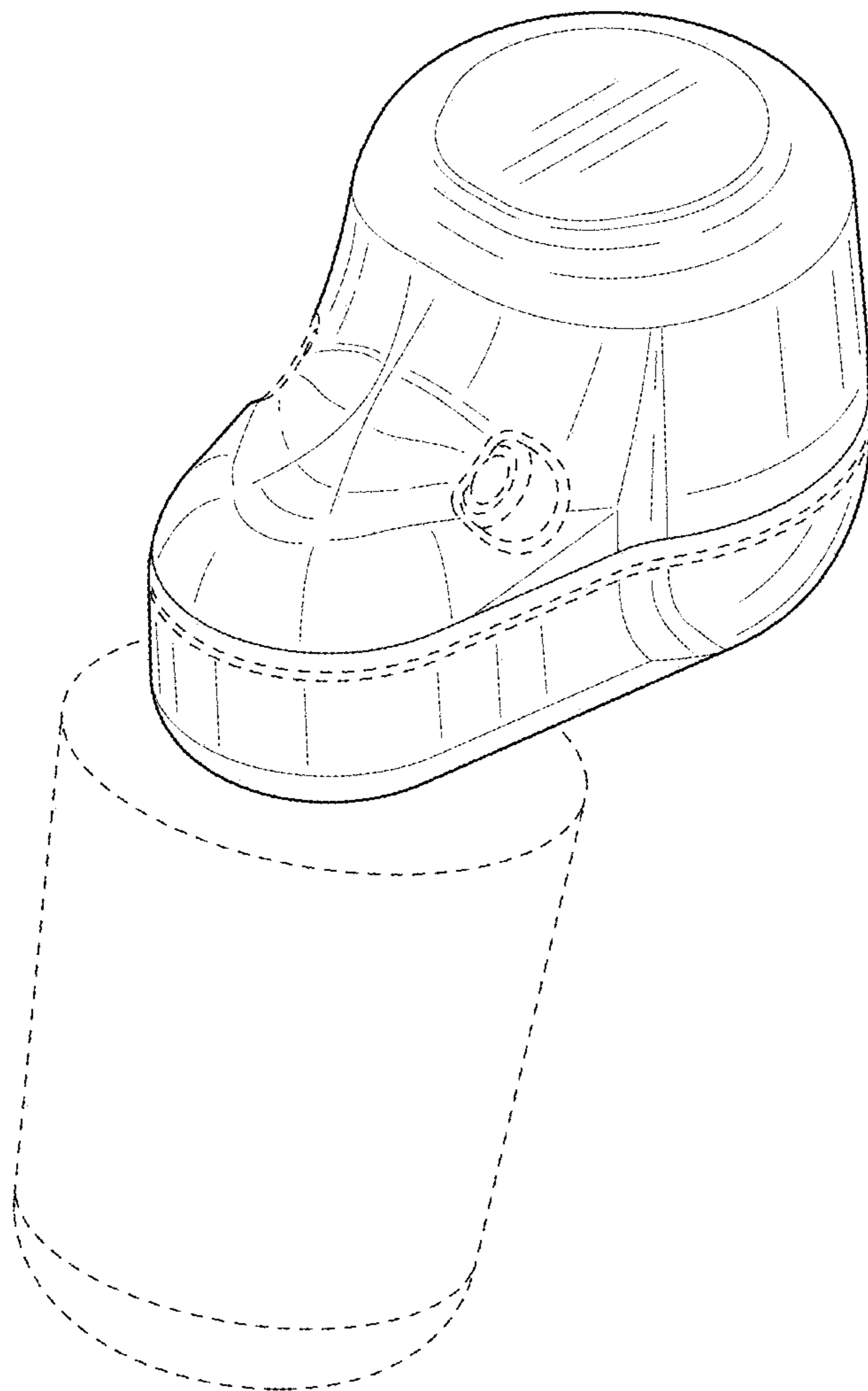


FIG. 1

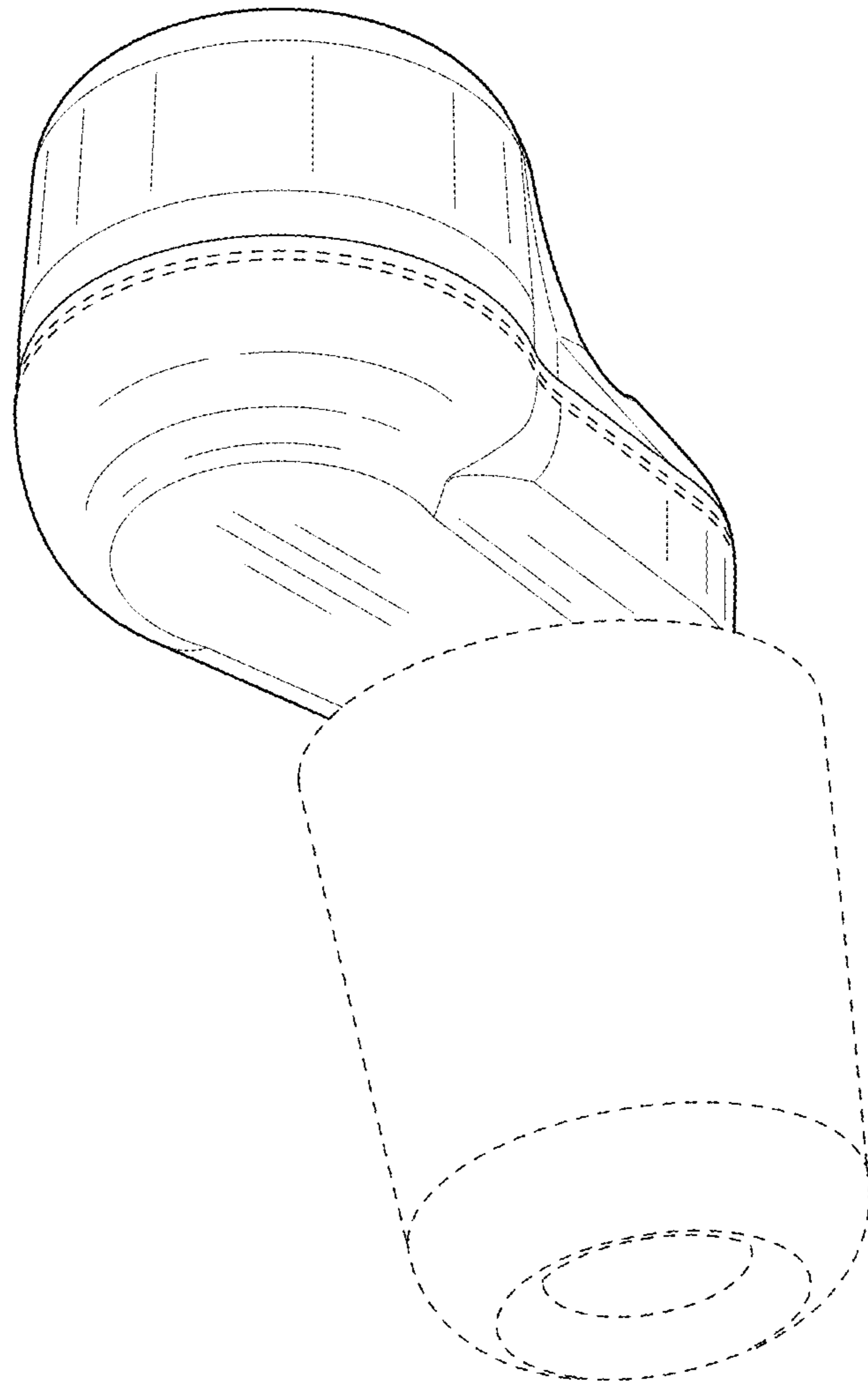


FIG. 2

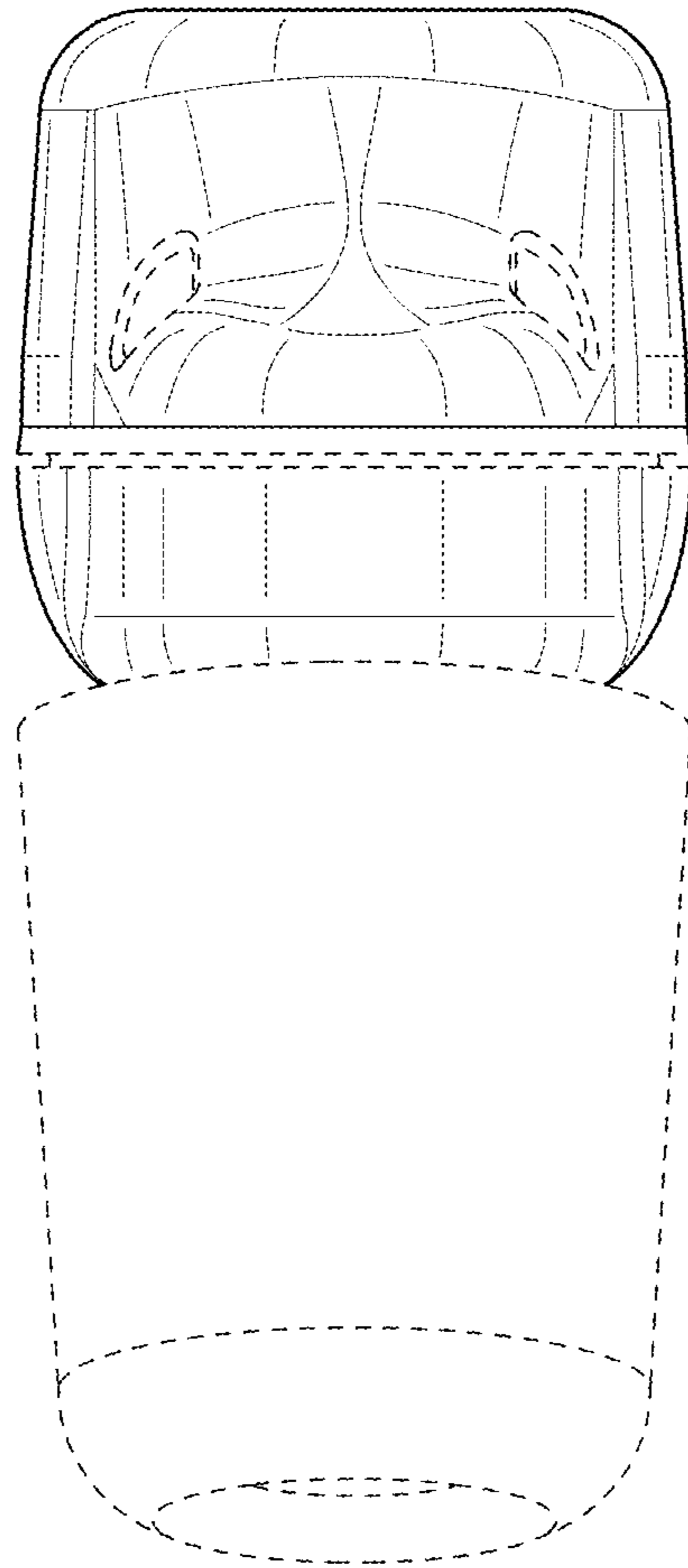


FIG. 3

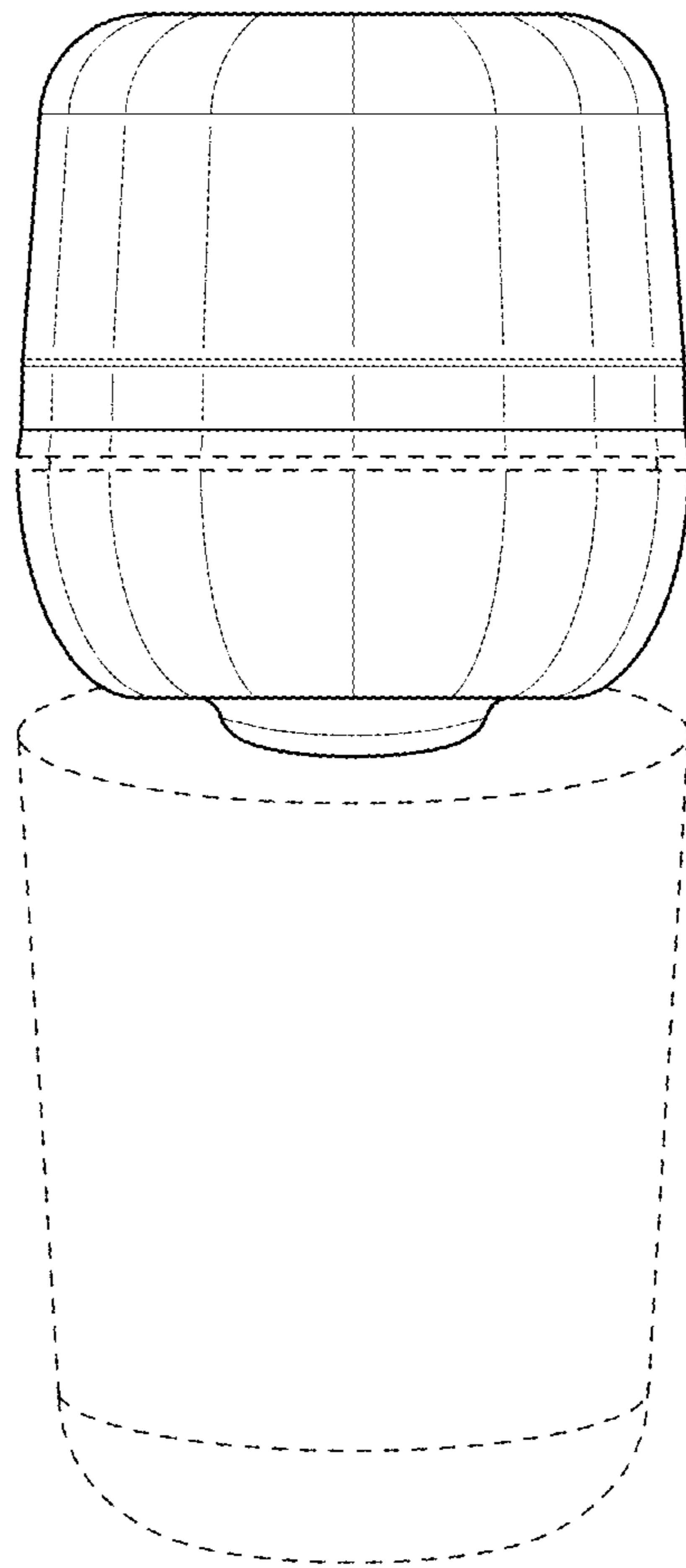


FIG. 4

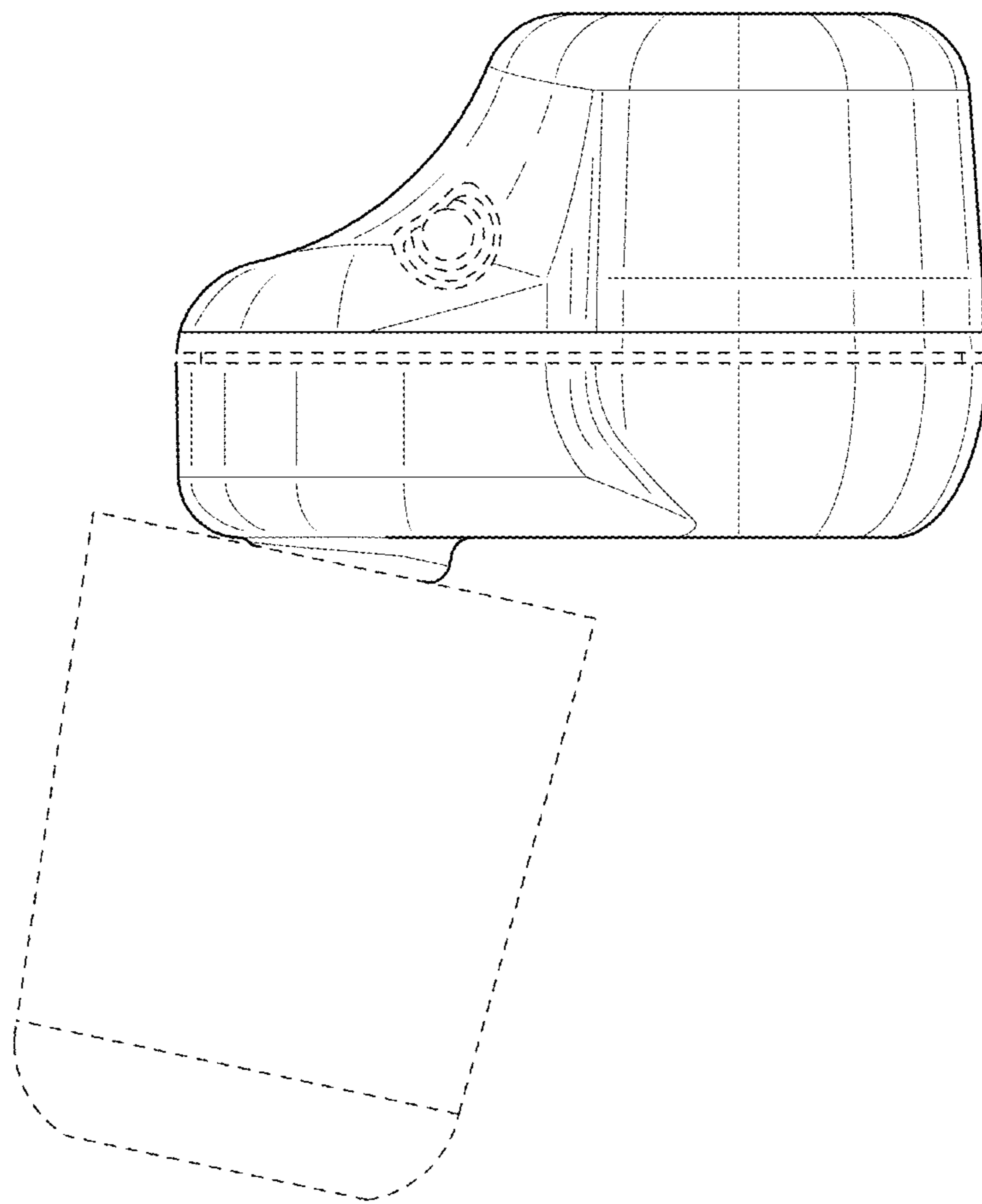


FIG. 5

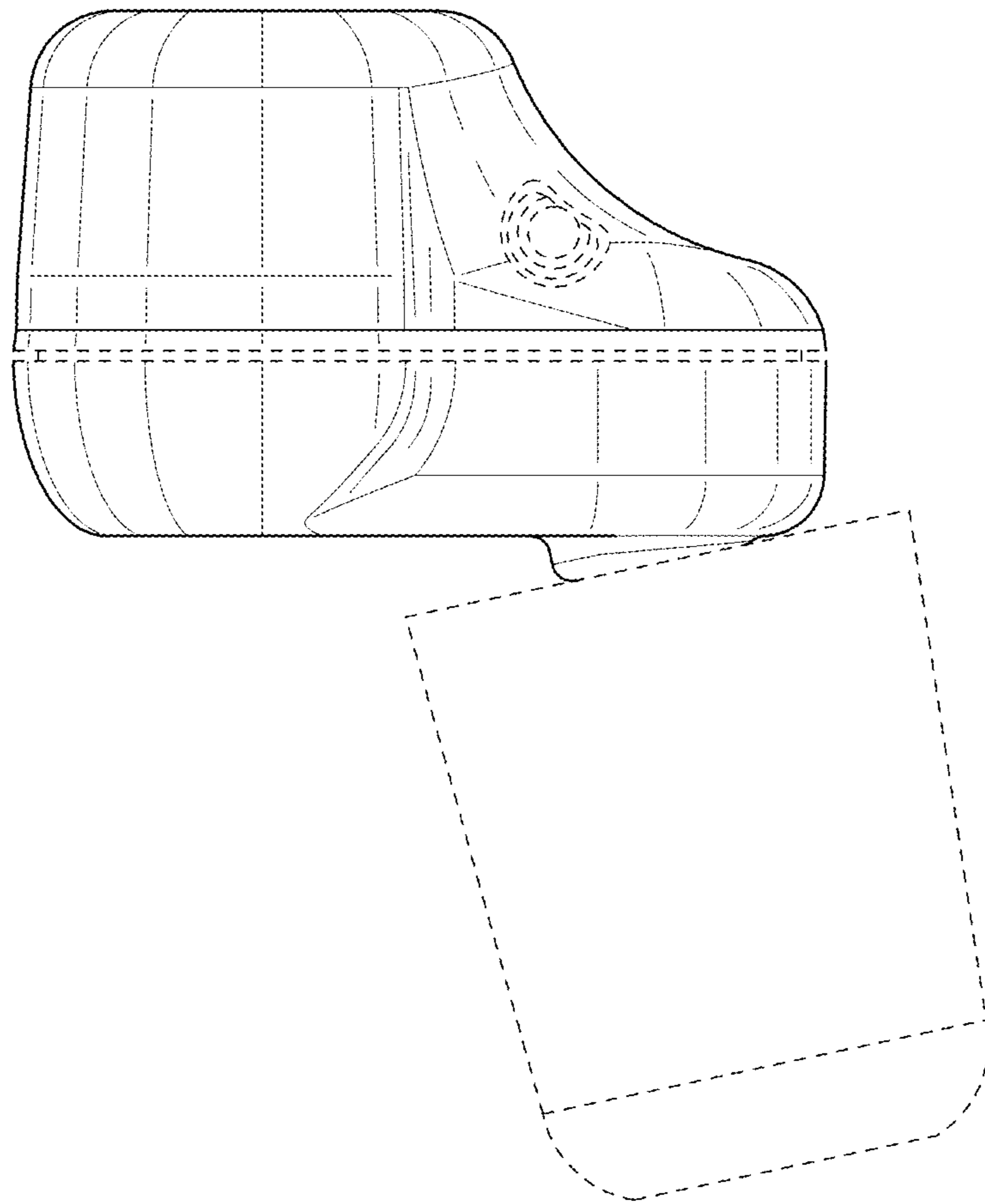


FIG. 6

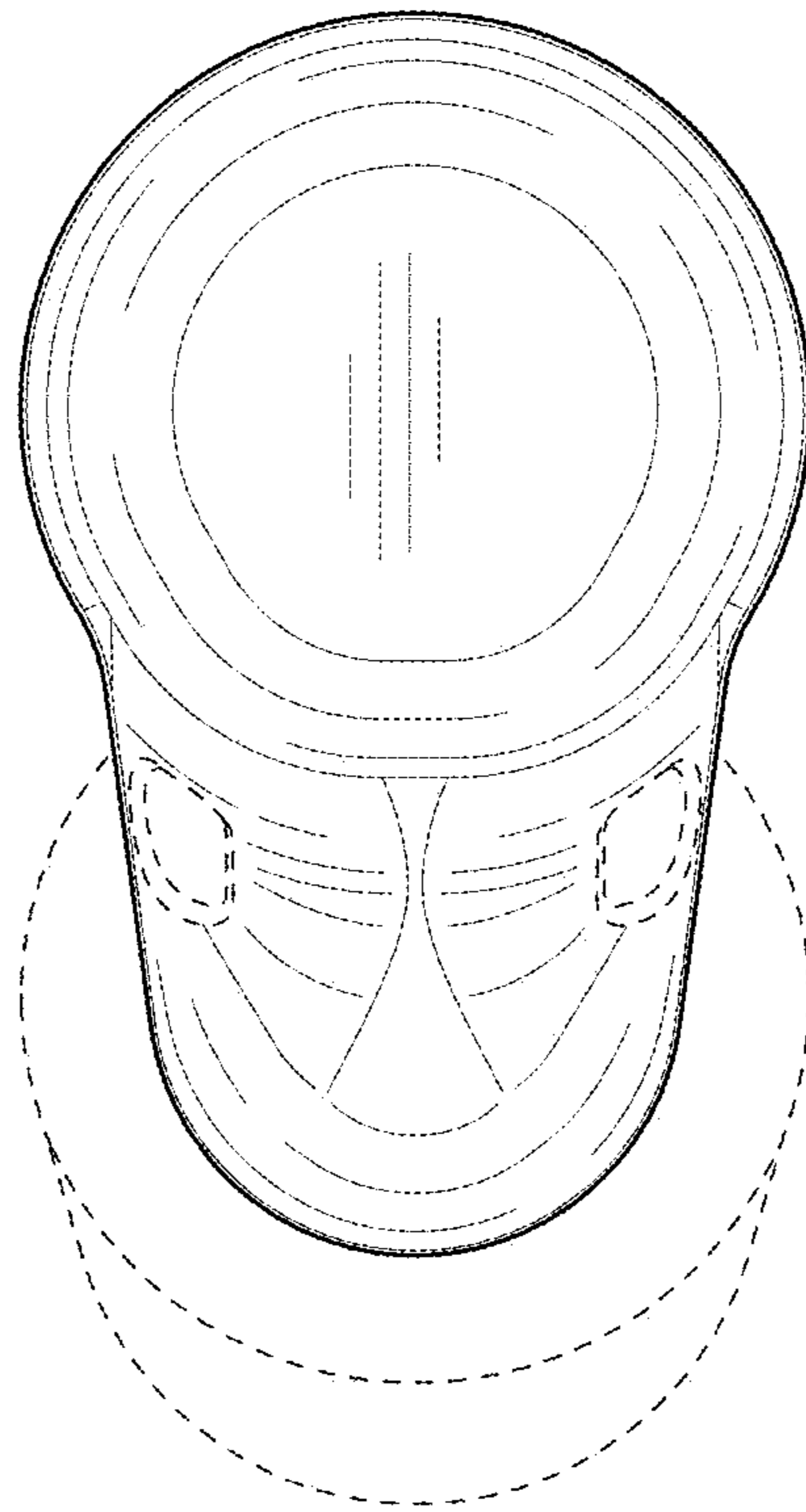


FIG. 7

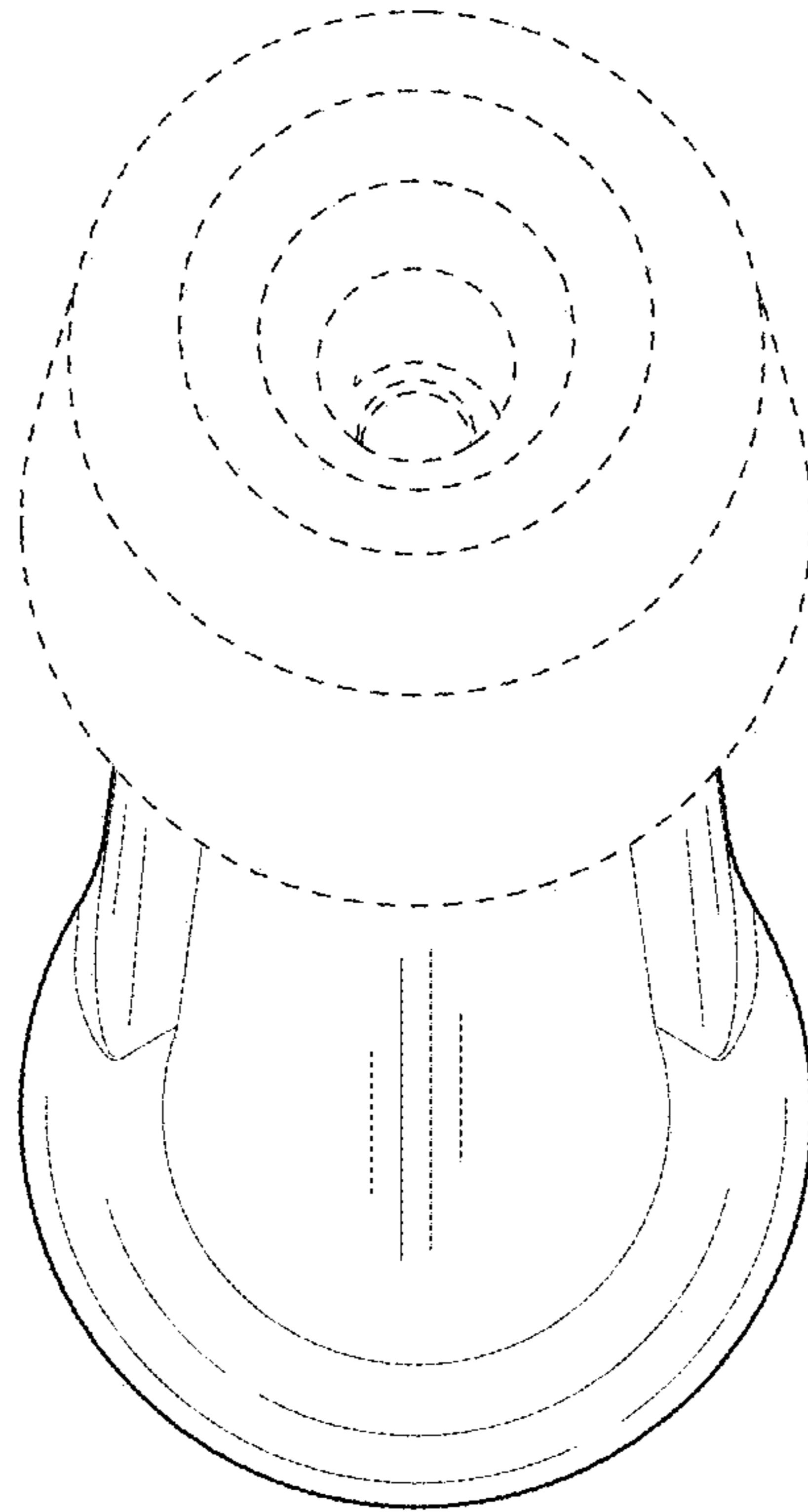


FIG. 8