



US00D897314S

(12) **United States Design Patent** (10) **Patent No.:** **US D897,314 S**
Ding (45) **Date of Patent:** **** Sep. 29, 2020**

(54) **GYROSCOPE STABILIZER**

G03B 17/04; G03B 17/561; H05K 5/0013; H05K 5/0086; H05K 5/0247; H05K 5/06

(71) Applicant: **Gudsen Technology Co., Ltd**,
Shenzhen, Guangdong (CN)

See application file for complete search history.

(72) Inventor: **Junwen Ding**, Guangdong (CN)

(56) **References Cited**

(73) Assignee: **Gudsen Technology Co., Ltd**,
Shenzhen (CN)

U.S. PATENT DOCUMENTS

(**) Term: **15 Years**

D779,580 S * 2/2017 Jia D16/243
D784,997 S * 4/2017 Cheng D14/447
D794,606 S * 8/2017 Zheng D14/217

(Continued)

(21) Appl. No.: **29/684,554**

Primary Examiner — Khawaja Anwar

(22) Filed: **Mar. 21, 2019**

(57) **CLAIM**

(30) **Foreign Application Priority Data**

The ornamental design for a gyroscope stabilizer, as shown and described.

Dec. 25, 2018 (CN) 2018 3 0754232

(51) **LOC (12) Cl.** **14-03**

DESCRIPTION

(52) **U.S. Cl.**

USPC **D14/217**

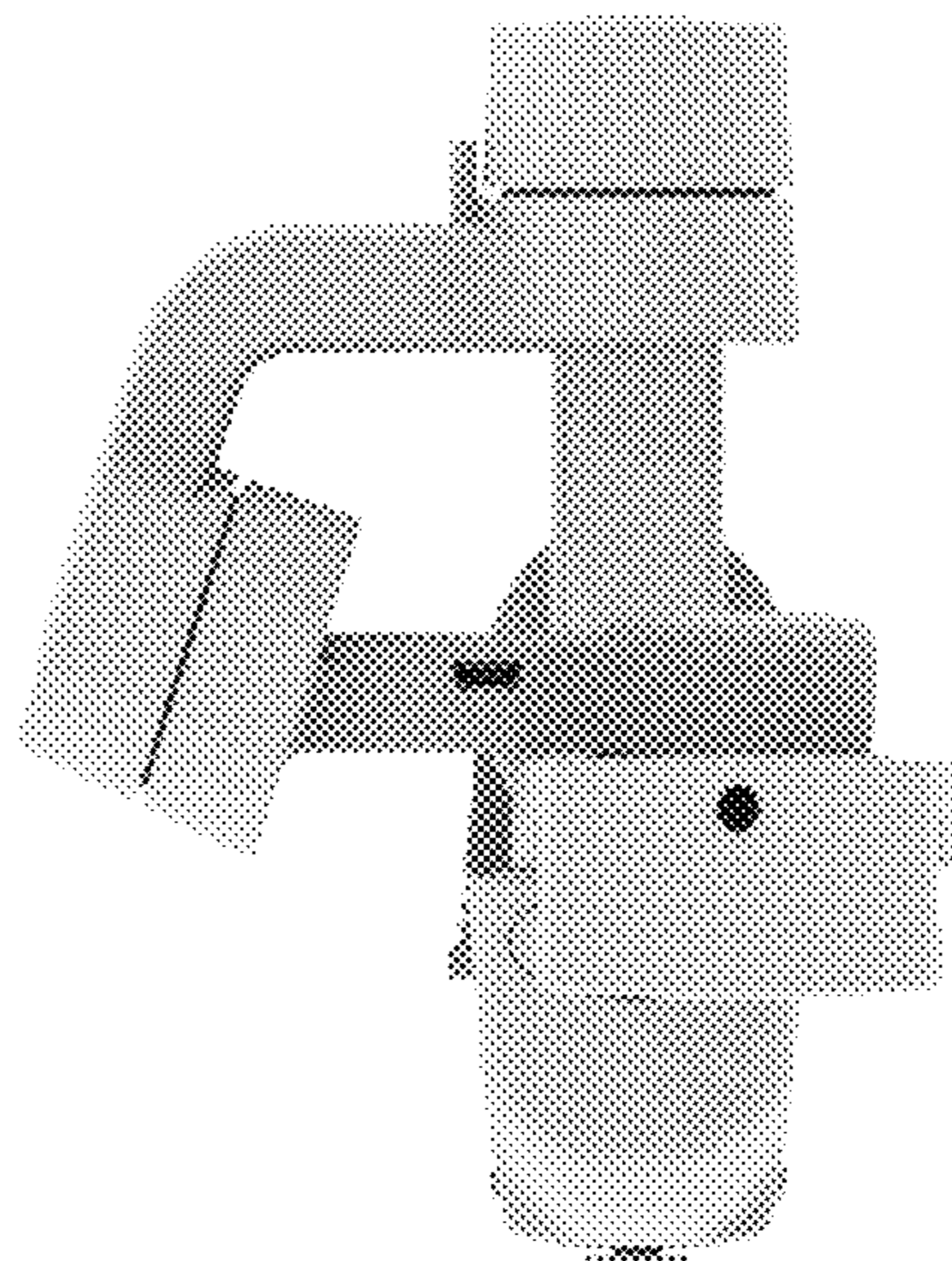
(58) **Field of Classification Search**

USPC D14/217, 253, 251, 252, 447, 451, 452,
D14/440, 434, 458, 432, 439, 453, 460,
D14/238.1, 140, 142, 149, 148; D13/107,
D13/108, 218; D12/415, 223; D34/28,
D34/32, 33; D16/200–208

CPC .. H04M 1/72527; H04M 1/04; H04M 1/0252;
H04M 1/72558; H04M 1/72561; H04M
3/42051; H04M 1/0216; H04M 1/0245;
H04M 1/0254; H04M 1/6075; H04M
1/6091; H04M 1/66; H04M 2250/22;
H04M 11/04; H04M 19/08; H04M 1/02;
H04M 1/0214; H04M 1/0274; H04M
1/03; H04M 1/05; H04M 1/11; H04M
1/2155; H04M 1/6033; H04M 1/6041;
H04M 1/6058; H04M 1/6066; H04M
1/72519; H04M 1/7253; H04M
2203/2038; H04M 2250/12; H04M
2250/52; H04M 3/42042; H04M 3/4365;

FIG. 1 is a front elevational view of a gyroscope stabilizer showing my new design;
FIG. 2 is a rear elevational view thereof;
FIG. 3 is a left side view thereof;
FIG. 4 is a right side view thereof;
FIG. 5 is a top plan view thereof;
FIG. 6 is a bottom plan view thereof;
FIG. 7 is a top, front and right side perspective view thereof;
FIG. 8 is a top, rear and right side perspective view thereof;
FIG. 9 is a top, front and left side perspective view thereof;
FIG. 10 is a top, rear and left side perspective view thereof;
FIG. 11 is a bottom, front and right side perspective view thereof;
FIG. 12 is a bottom, rear and right side perspective view thereof;
FIG. 13 is a bottom, front and left side perspective view thereof; and,
FIG. 14 is a bottom, rear and left side perspective view thereof.

1 Claim, 14 Drawing Sheets



(56)

References Cited

U.S. PATENT DOCUMENTS

D799,447 S *	10/2017	Zheng	D14/217
D799,448 S *	10/2017	Zheng	D14/217
D824,882 S *	8/2018	Zheng	D14/217
D857,786 S *	8/2019	Kim	D16/243
D860,170 S *	9/2019	Ding	D14/217
D866,647 S *	11/2019	Kim	D16/243
D868,877 S *	12/2019	Lin	D16/243
D879,186 S *	3/2020	Fang	D16/243
D892,911 S *	8/2020	Kim	D16/243
2016/0309080 A1 *	10/2016	Chu	G03B 17/561
2017/0146892 A1 *	5/2017	Wei	F16M 11/10

* cited by examiner

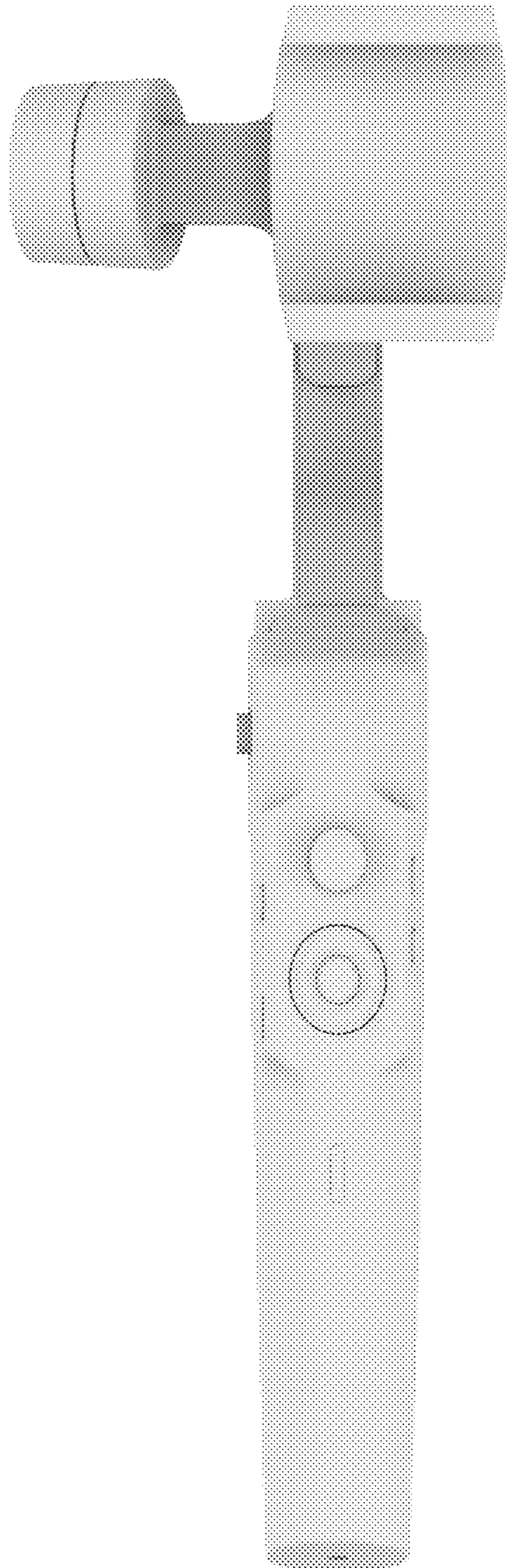


Fig. 1

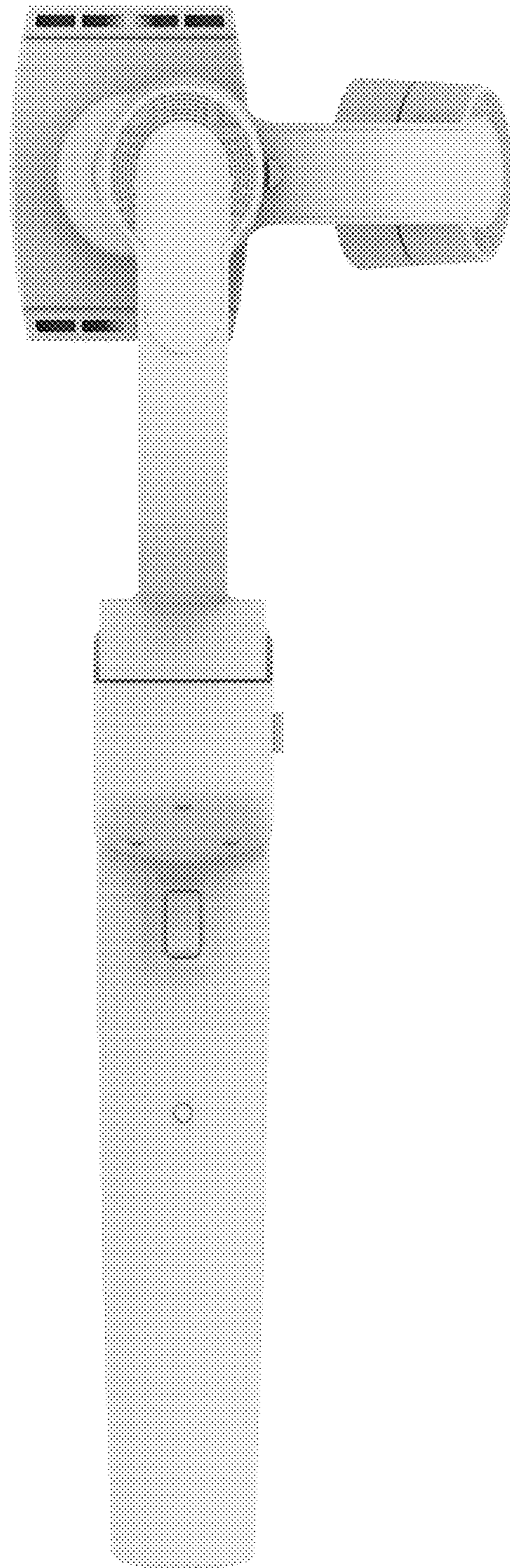


Fig. 2

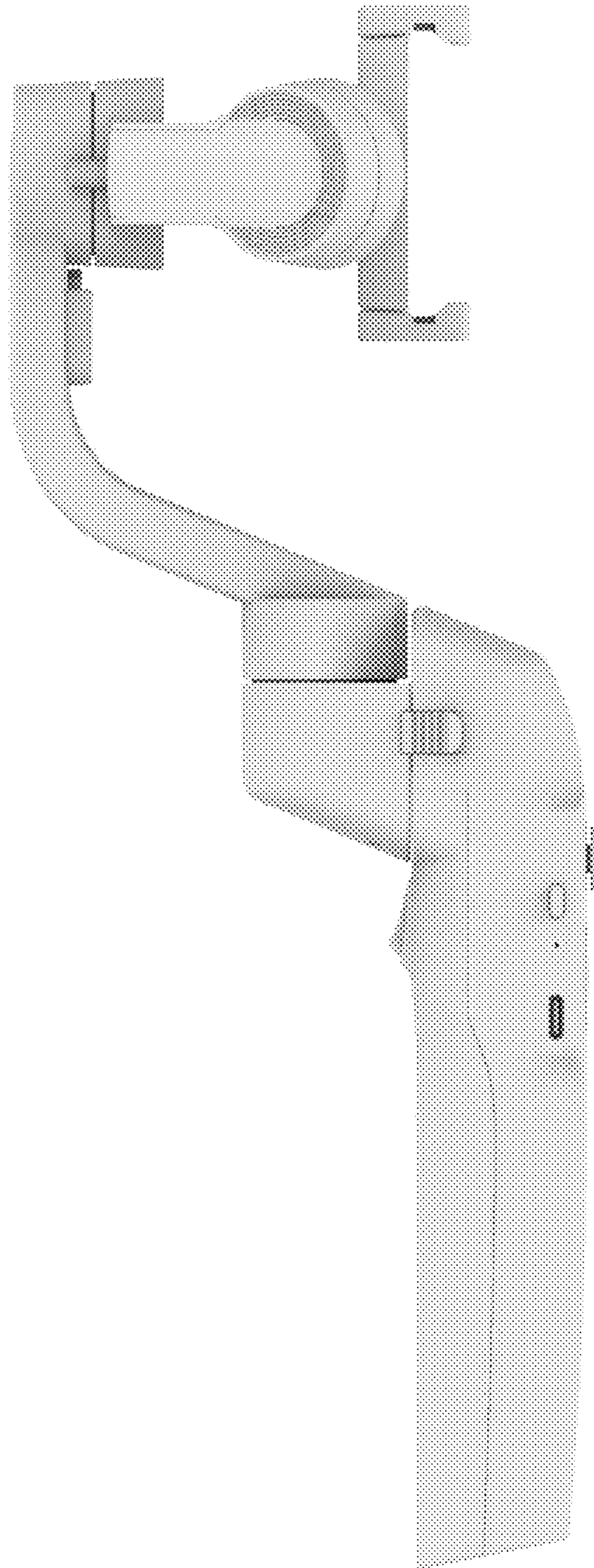


Fig. 3

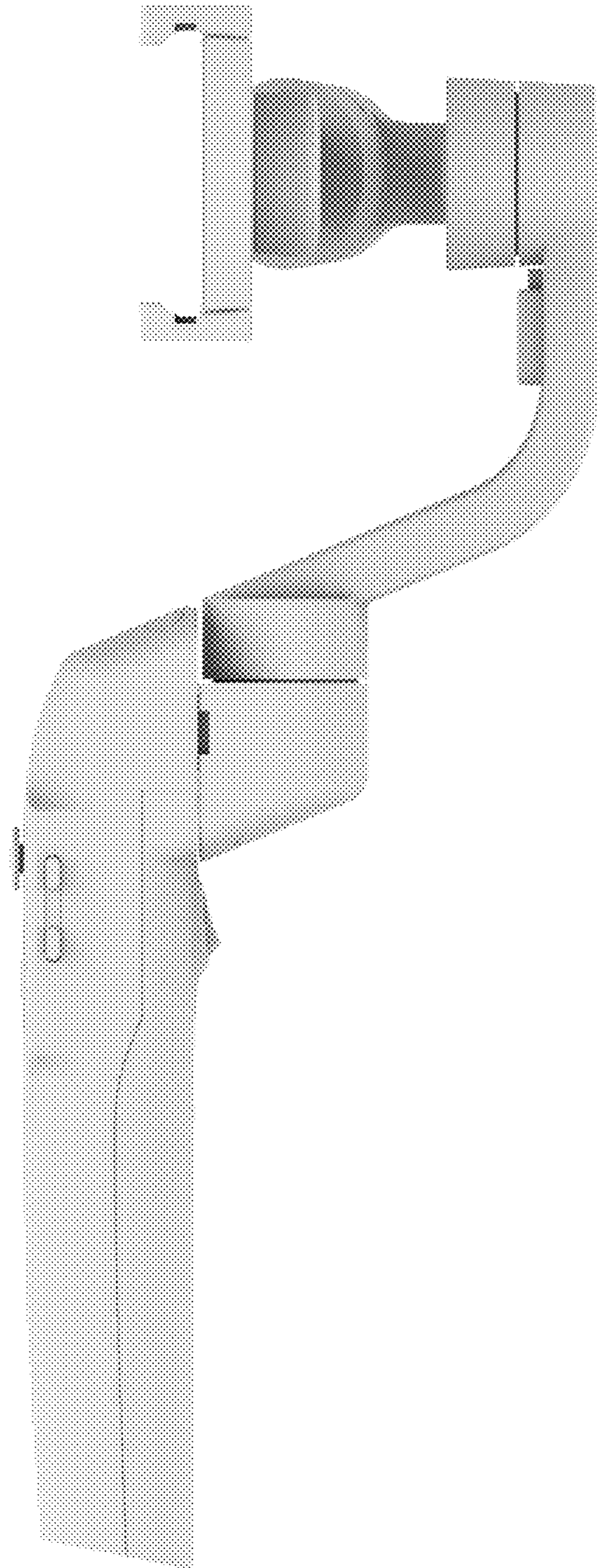


Fig. 4

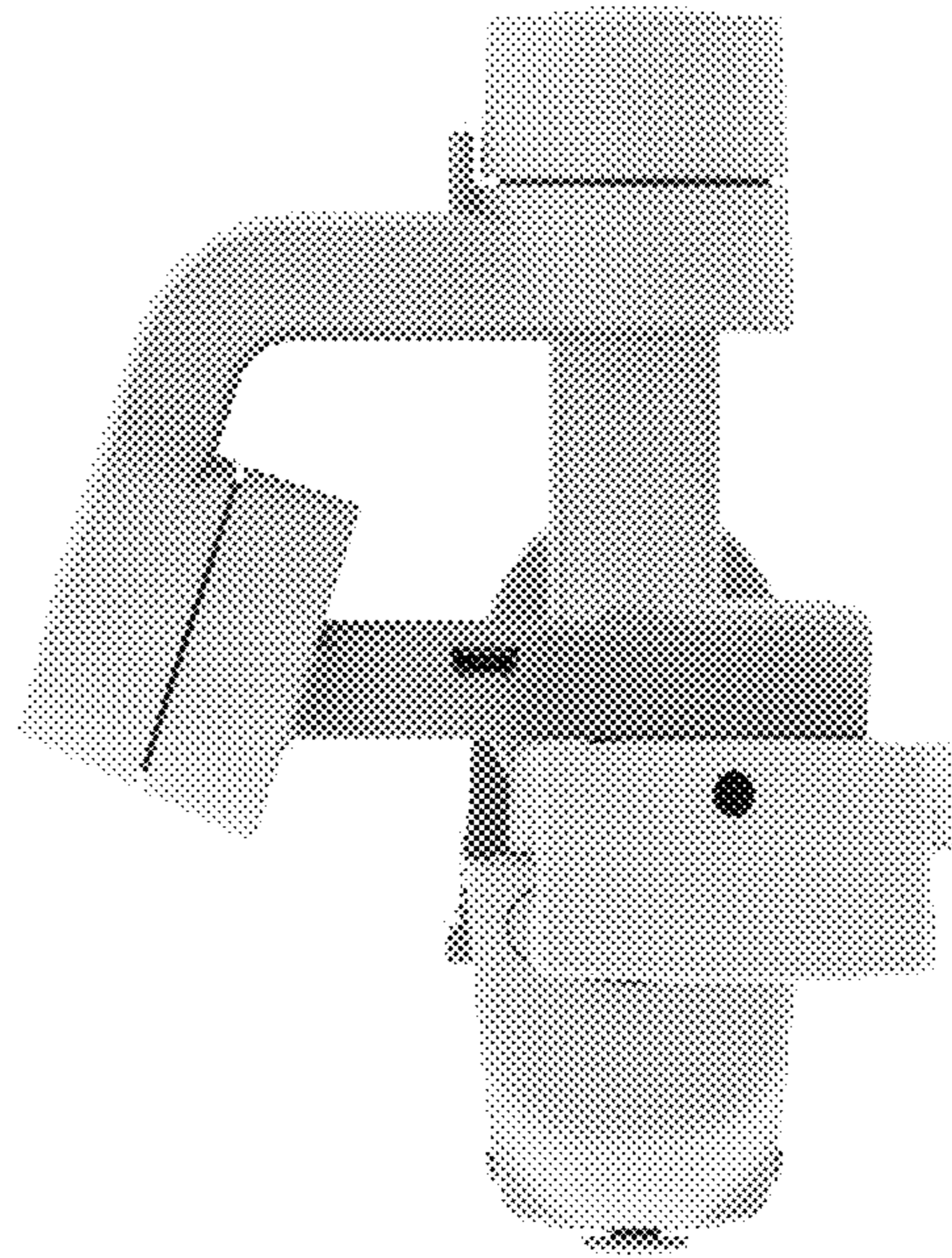


Fig. 5

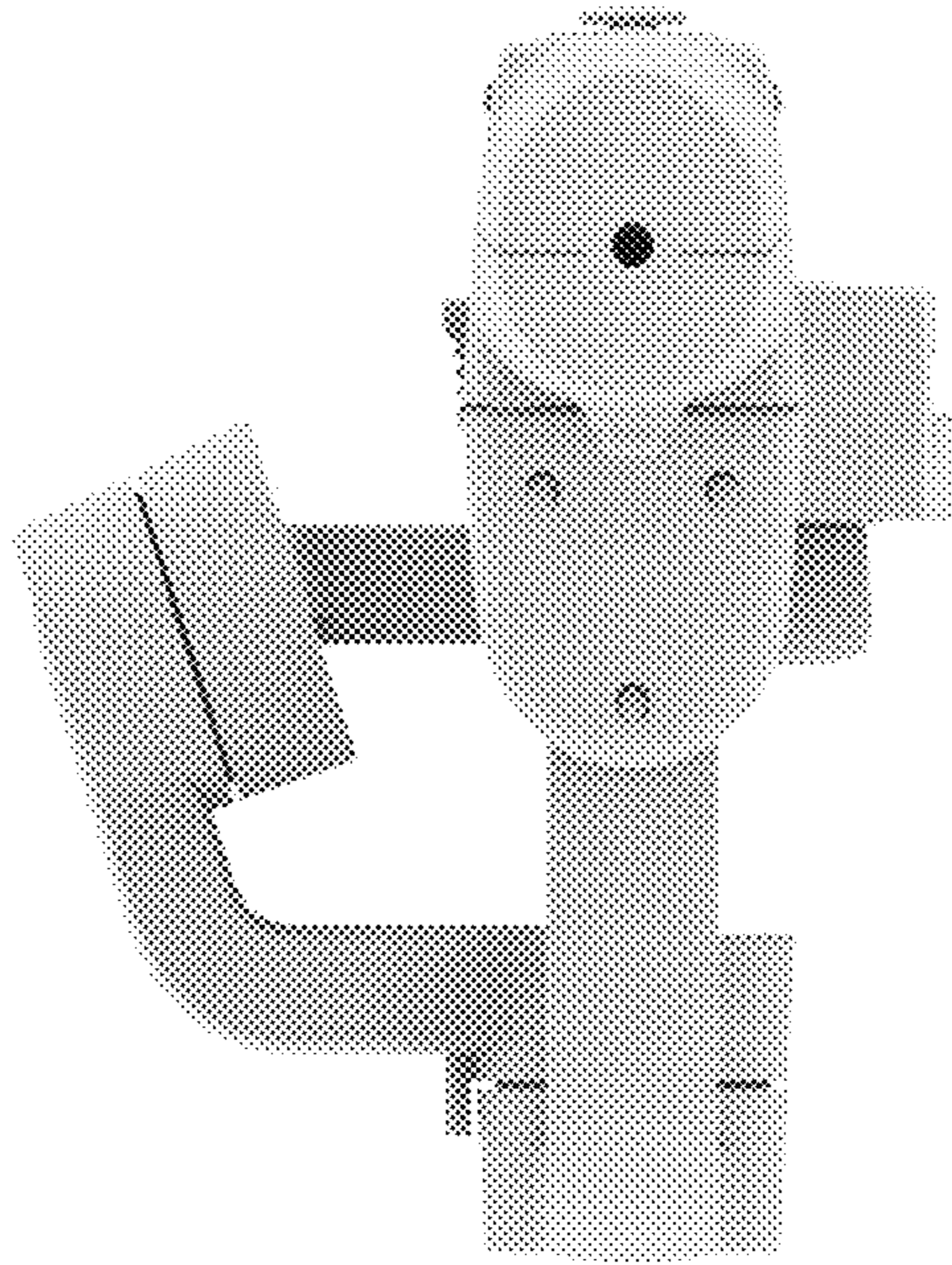


Fig. 6

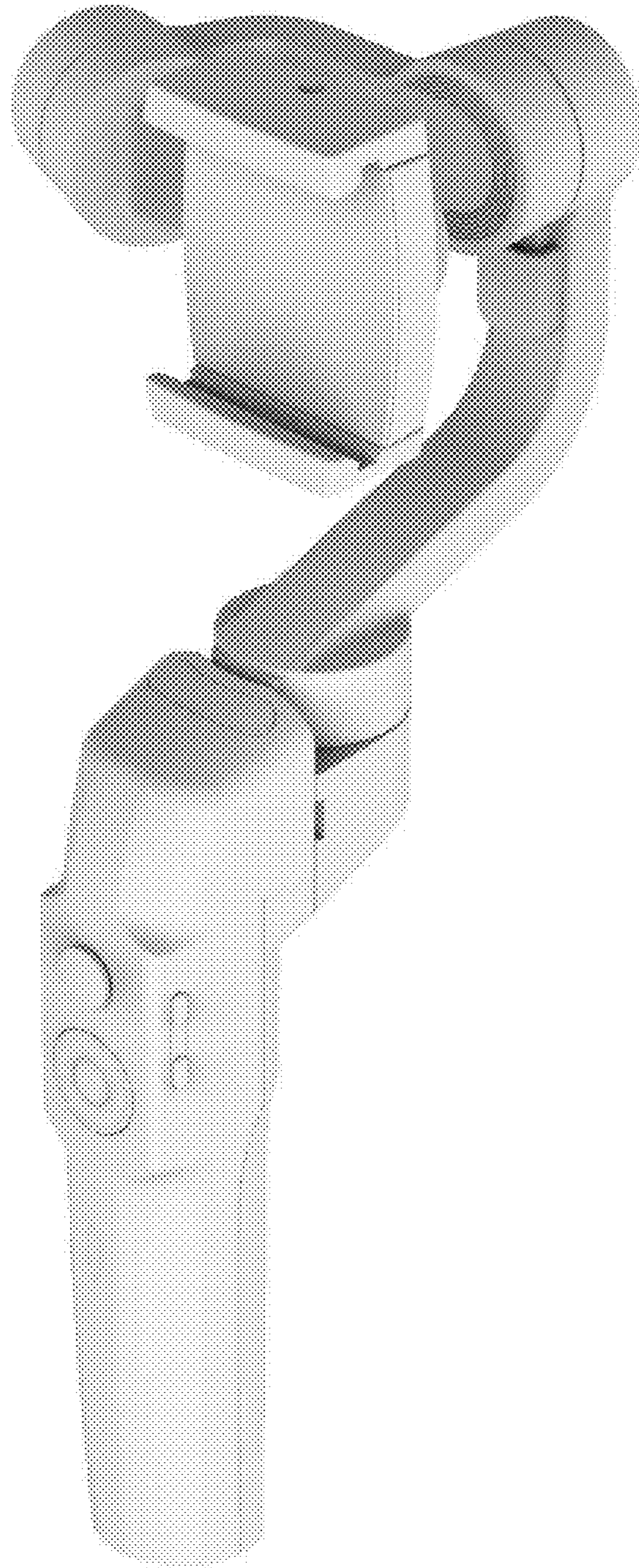


Fig. 7

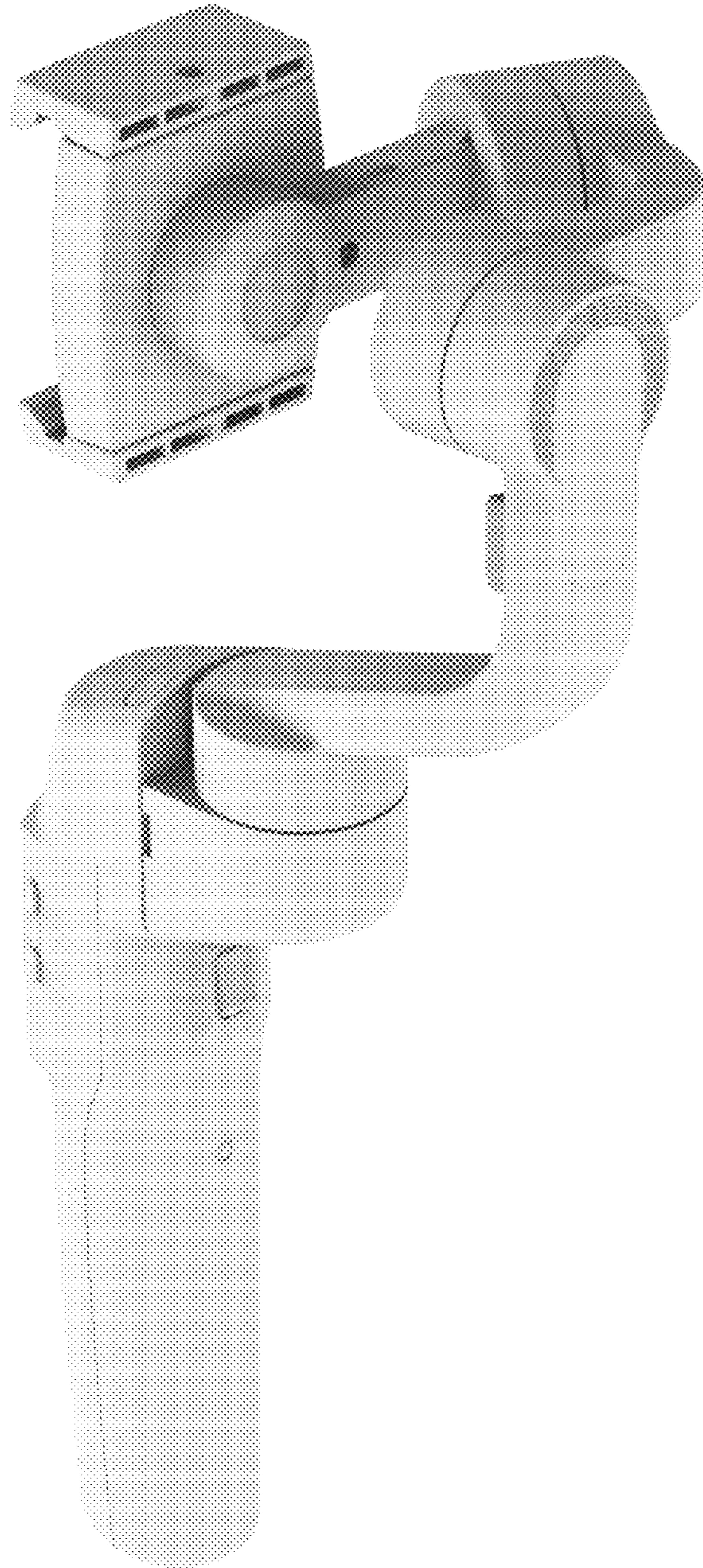


Fig. 8

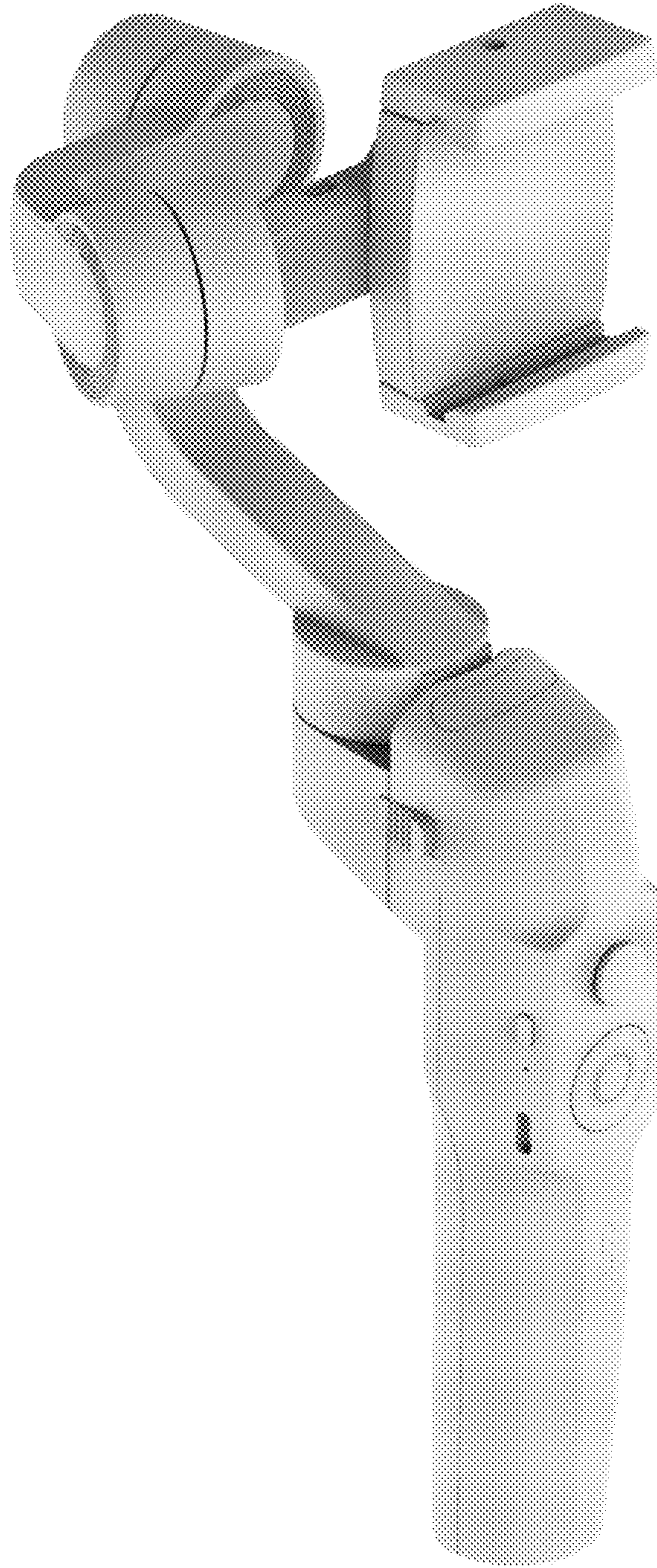


Fig. 9

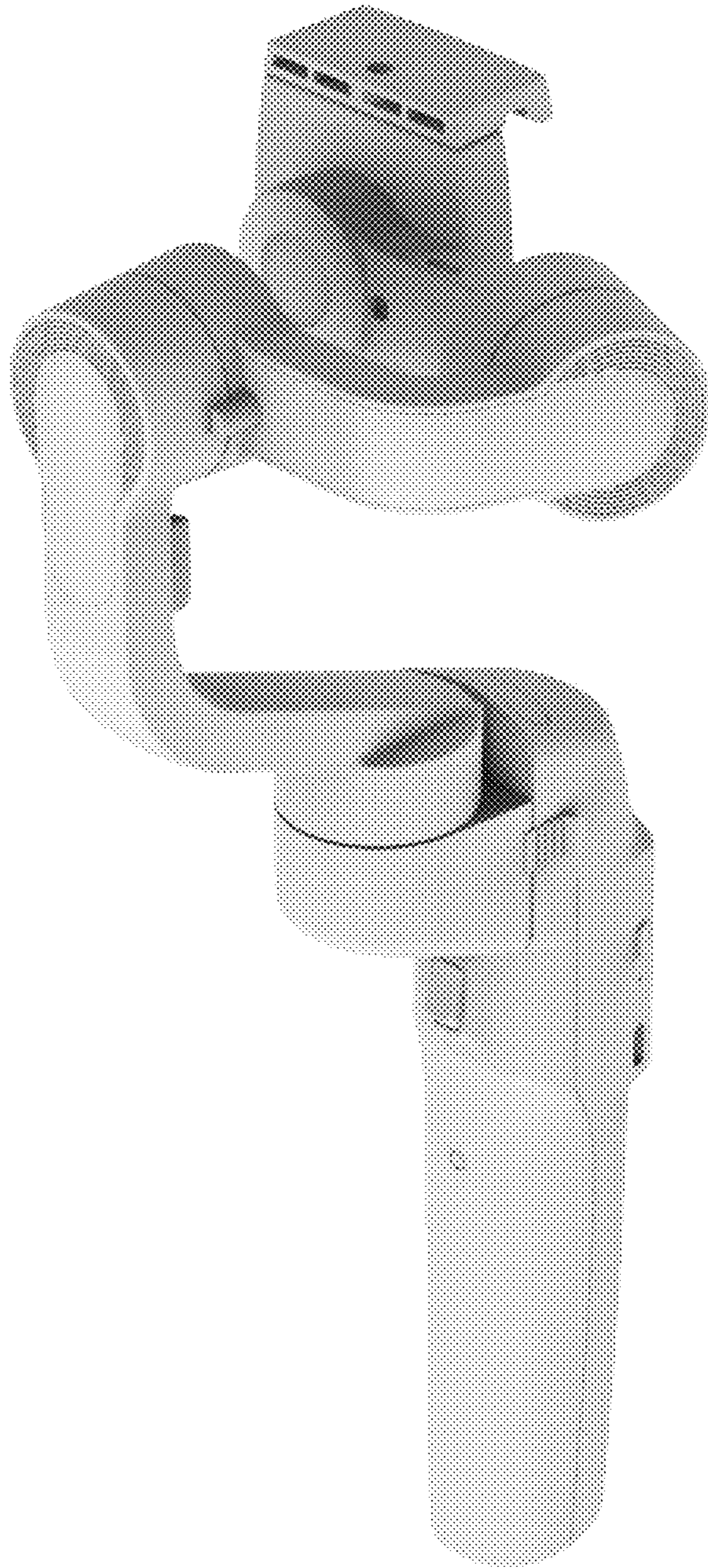


Fig. 10

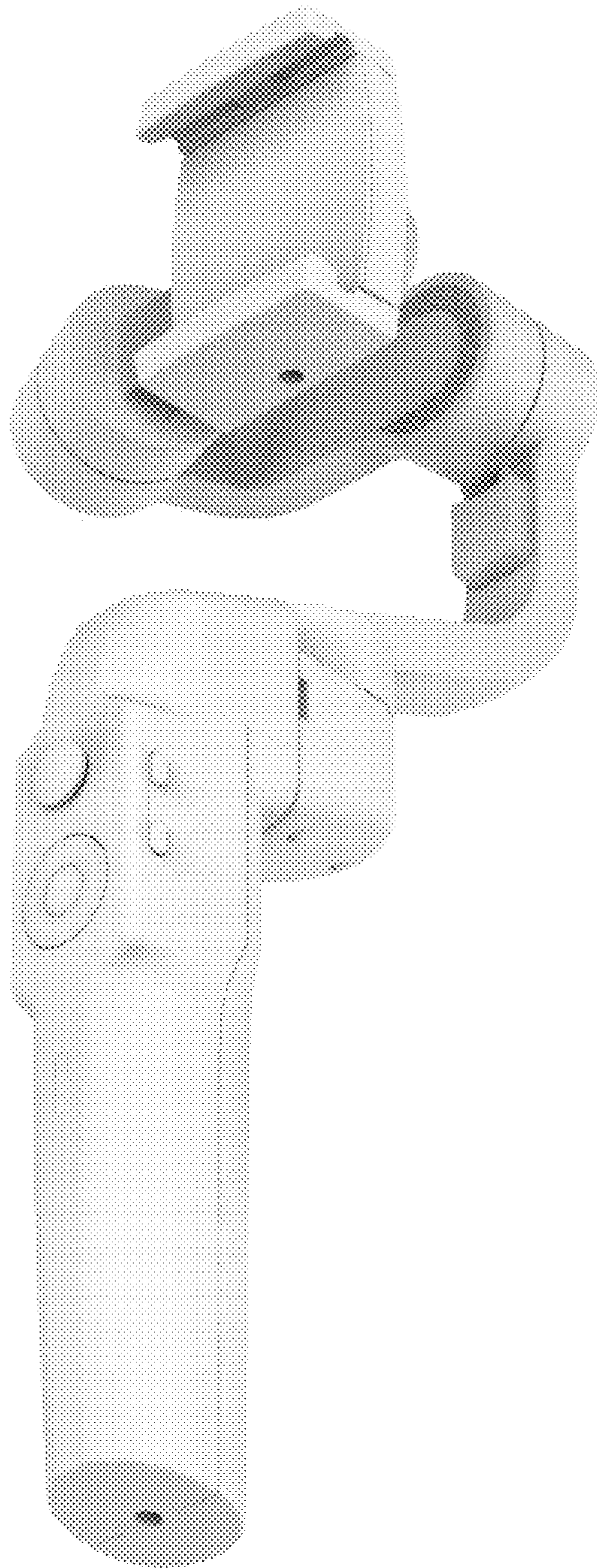


Fig. 11

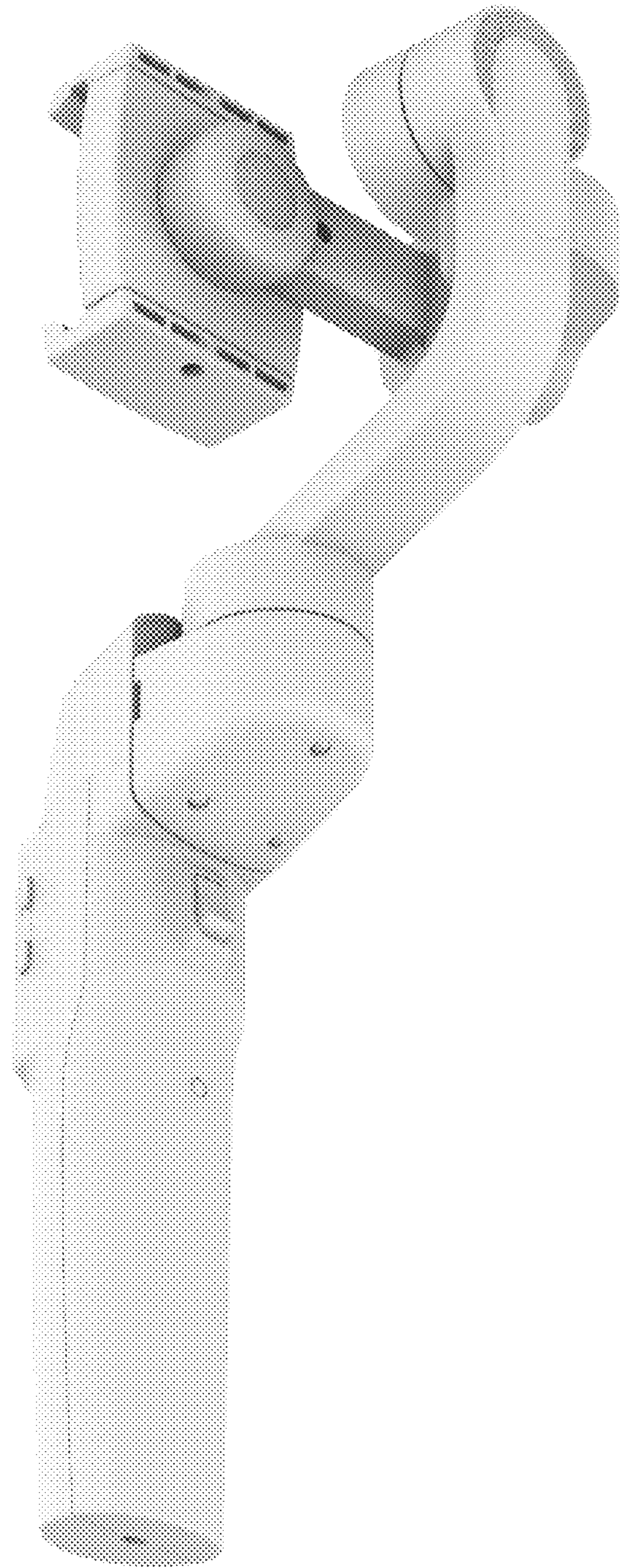


Fig. 12

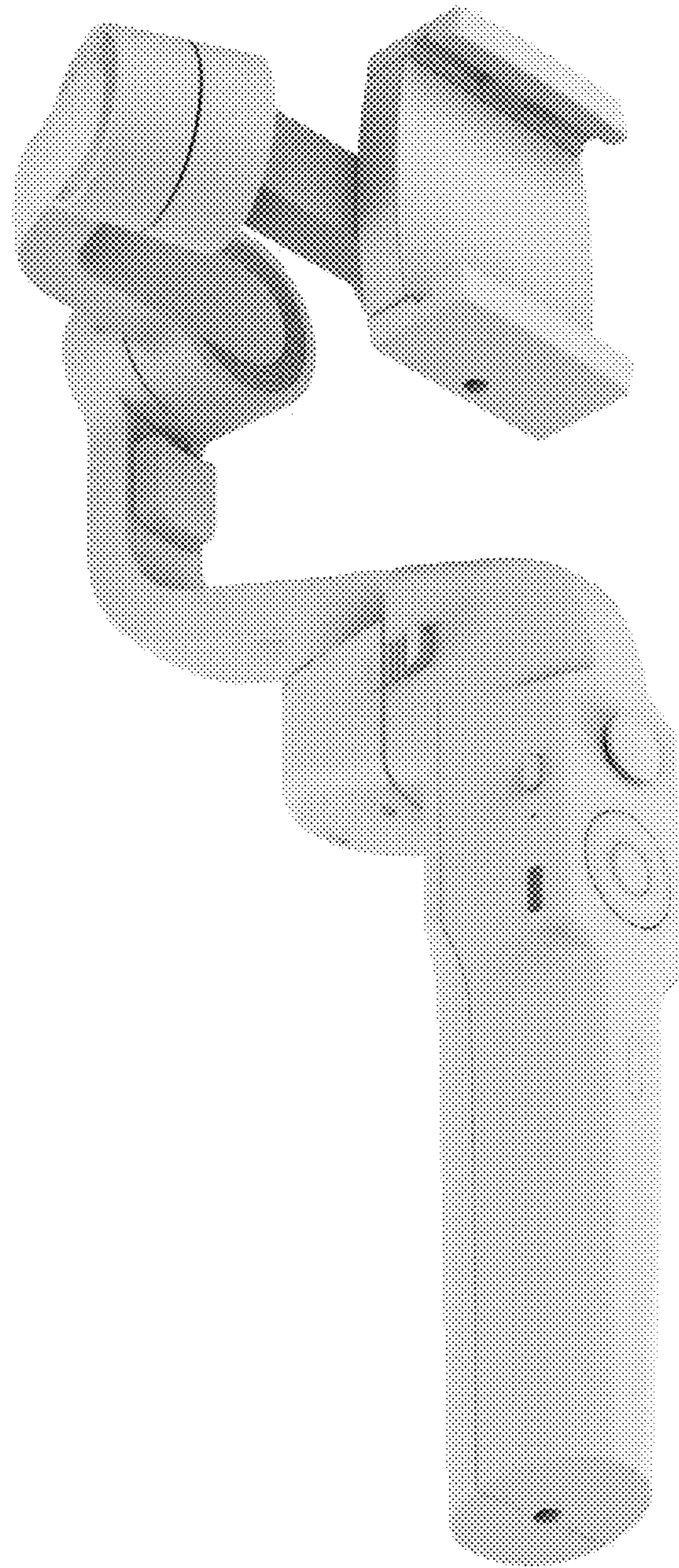


Fig. 13

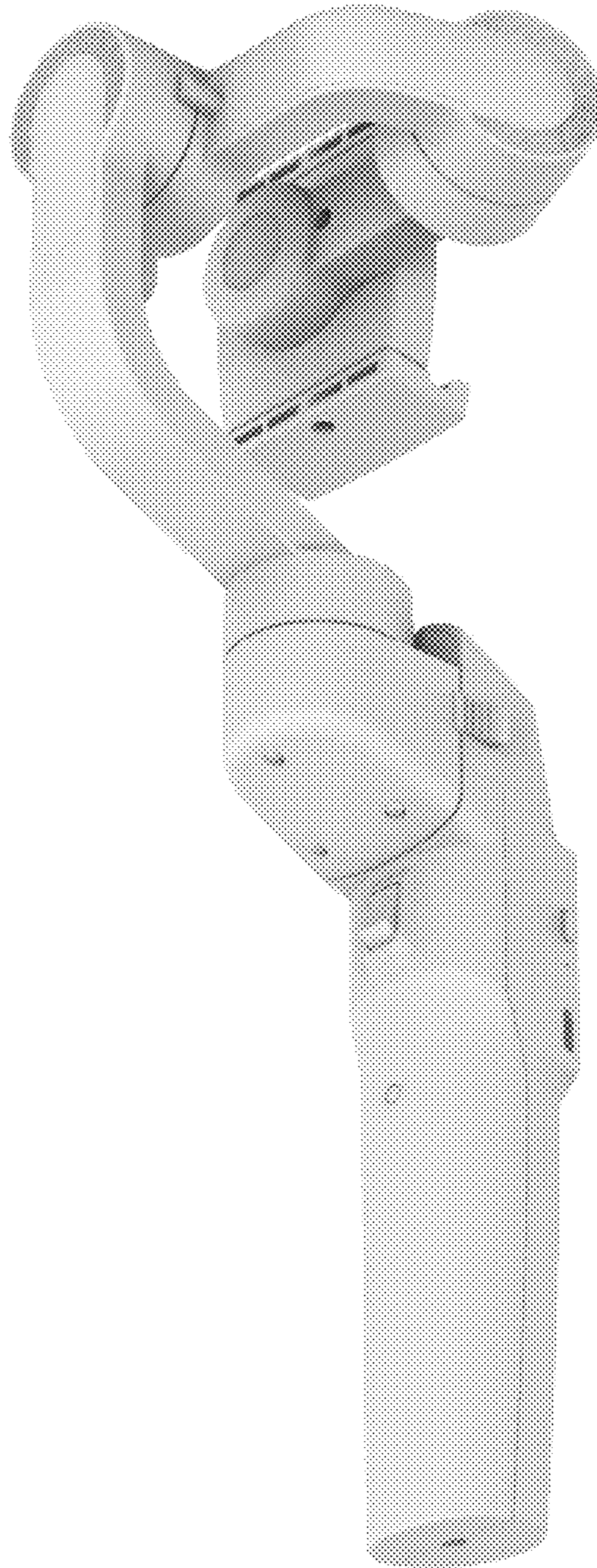


Fig. 14