



US00D897312S

(12) **United States Design Patent**
Matsubayashi

(10) **Patent No.:** **US D897,312 S**

(45) **Date of Patent:** **** Sep. 29, 2020**

(54) **SPEAKER FOR AUTOMOBILE**
(71) Applicant: **PIONEER CORPORATION**, Tokyo
(JP)
(72) Inventor: **Yusuke Matsubayashi**, Tokyo (JP)
(73) Assignee: **PIONEER CORPORATION**, Tokyo
(JP)
(**) Term: **15 Years**

D191,403 S * 9/1961 Perry D14/224
3,952,834 A * 4/1976 Soma H04R 1/023
181/150
D254,130 S * 2/1980 Iijima 181/157
D254,252 S * 2/1980 Matsubara 181/157
(Continued)

(21) Appl. No.: **29/675,027**
(22) Filed: **Dec. 28, 2018**
(30) **Foreign Application Priority Data**

FOREIGN PATENT DOCUMENTS

CN 304232239 * 8/2017
JP 1191947 12/2003
(Continued)

Jul. 5, 2018 (JP) 2018-014902
(51) **LOC (12) Cl.** **14-01**
(52) **U.S. Cl.**
USPC **D14/216**; D14/219
(58) **Field of Classification Search**
USPC D14/216, 215, 224, 204, 219; 181/143,
181/144, 147, 148, 150, 151, 198, 199,
181/153; 381/302, 303, 306, 333, 345,
381/361-364, 386-388, 332, 336;
455/90.3, 575.1, 569.1
CPC . H04R 25/00; H04R 1/20; H04R 9/06; H04R
9/04; H04R 1/00; H04R 1/24; H04R
7/16; H04R 7/18; H04R 1/02
See application file for complete search history.

OTHER PUBLICATIONS

Catalogue "Audio & AV 2017 Car Entertainment Dealer Reference
Guide vol. 1" (pp. 82-85) issued on 2016.

Primary Examiner — Paula Allen Greene
(74) *Attorney, Agent, or Firm* — Faegre Drinker Biddle &
Reath LLP

(56) **References Cited**

U.S. PATENT DOCUMENTS

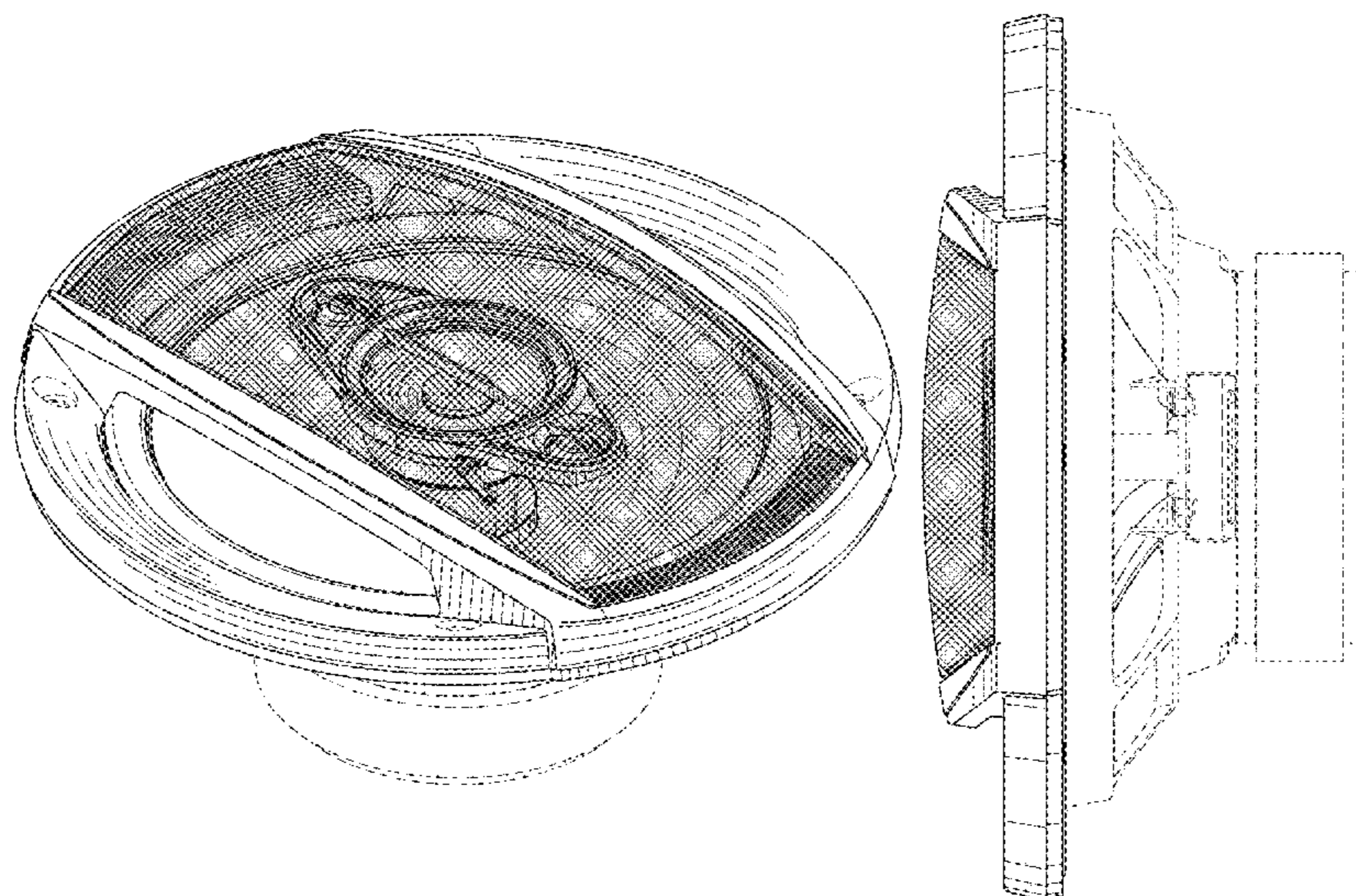
1,666,303 A * 4/1928 Platt F41H 5/26
109/21.5
2,496,589 A * 2/1950 Marquis H04R 1/24
381/186
2,857,478 A * 10/1958 Harris H04R 1/24
381/182
D188,541 S * 8/1960 Matsuoka D14/216

(57) **CLAIM**
The ornamental design for the speaker for automobile, as
shown and described.

DESCRIPTION

FIG. 1 is a perspective view of a speaker for automobile
showing my new design;
FIG. 2 is a front view thereof;
FIG. 3 is a rear view thereof;
FIG. 4 is a right side view thereof;
FIG. 5 is a left side view thereof;
FIG. 6 is a top view thereof;
FIG. 7 is a bottom view thereof; and,
FIG. 8 is a front view showing the grille in a detached
condition for ease of illustration.
In the drawing the claimed design is defined by the shaded
surfaces, the broken lines are directed to environment that
are for illustrative purposes only; the broken lines for no part
of the claimed design.

1 Claim, 8 Drawing Sheets



(56)

References Cited

U.S. PATENT DOCUMENTS

D254,434 S * 3/1980 Iijima 181/157
 D254,490 S * 3/1980 Matsubara 181/157
 D265,556 S * 7/1982 Iijima D14/216
 D273,008 S * 3/1984 Ishizaki D14/215
 D276,912 S * 12/1984 Yoshikawa D14/215
 4,492,826 A * 1/1985 Chiu H04R 1/24
 181/144
 D279,183 S * 6/1985 Yoshikawa D14/215
 D281,157 S * 10/1985 Takagi D14/215
 D284,281 S * 6/1986 Takagi D14/215
 D284,370 S * 6/1986 O'Connor, Jr. D14/215
 4,672,675 A * 6/1987 Powell H04R 9/063
 381/182
 D291,988 S * 9/1987 Ishizaki D14/215
 D295,741 S * 5/1988 Keitoku D14/215
 4,837,839 A * 6/1989 Andrews H04R 1/24
 181/146
 D328,462 S * 8/1992 Christie D14/215
 D359,494 S * 6/1995 Hedaya D14/224
 D402,988 S * 12/1998 Shin D14/214
 6,095,278 A * 8/2000 Lin H04R 9/06
 181/148
 6,516,076 B1 * 2/2003 Marlin G10K 11/004
 181/159
 D488,802 S * 4/2004 Uehara D14/216
 D489,359 S * 5/2004 Hakoda D14/215
 6,792,125 B1 * 9/2004 David H04R 1/025
 381/152
 D525,236 S * 7/2006 Hibi D14/221
 D532,771 S * 11/2006 Motoishi D14/211
 D551,209 S * 9/2007 Mizokawa D14/216
 D551,210 S * 9/2007 Mizokawa D14/216
 D554,620 S * 11/2007 Shiono D14/216
 D560,658 S * 1/2008 Akaishi D14/221
 D579,916 S * 11/2008 Ichikawa D14/216
 D585,425 S * 1/2009 Natori D14/216
 D588,661 S * 3/2009 Lee D21/759
 D591,729 S * 5/2009 Natori D14/216
 D593,073 S * 5/2009 Kurihara D14/216
 D593,542 S * 6/2009 Kurihara D14/216
 D596,620 S * 7/2009 Ichikawa D14/216
 D597,076 S * 7/2009 Komiyama D14/215
 D608,345 S * 1/2010 Oishi D14/216
 D608,764 S * 1/2010 Oishi D14/216

D629,389 S * 12/2010 Kitayama D14/215
 D674,378 S * 1/2013 Ishinabe D14/224
 D678,247 S 3/2013 Matsumura
 D678,867 S 3/2013 Matsumura
 D680,100 S 4/2013 Matsumura
 D681,016 S * 4/2013 Ishinabe D14/224
 D837,181 S * 1/2019 Kitamura D14/204
 D839,235 S * 1/2019 Kitamura D14/204
 D840,375 S * 2/2019 Sakata D14/216
 D859,365 S * 9/2019 Kitamura D14/216
 D859,366 S * 9/2019 Wakasa D14/216
 D864,916 S * 10/2019 Wakasa D14/221
 D872,052 S * 1/2020 Kitamura D14/210
 D875,078 S * 2/2020 Horiuchi D14/216
 D875,080 S * 2/2020 Horiuchi D14/216
 D875,081 S * 2/2020 Horiuchi D14/216
 D875,717 S * 2/2020 Horiuchi D14/216

FOREIGN PATENT DOCUMENTS

JP 1191984 12/2003
 JP 1192160 12/2003
 JP 1302641 6/2007
 JP 1302642 6/2007
 JP 1329063 5/2008
 JP 1408188 2/2011
 JP 1408543 2/2011
 JP 1427955 11/2011
 JP 1428035 11/2011
 JP 1428036 11/2011
 JP 1450115 9/2012
 JP 1470927 6/2013
 JP 1471187 6/2013
 JP 1471188 6/2013
 JP 1471189 6/2013
 JP 1540569 12/2015
 JP 1540683 12/2015
 JP 1540684 12/2015
 JP 1540685 12/2015
 JP 1574225 4/2017
 JP 1574444 4/2017
 JP 1588866 10/2017
 JP 1588867 10/2017
 JP D1592236 * 11/2017
 JP D1634949 * 5/2019

* cited by examiner

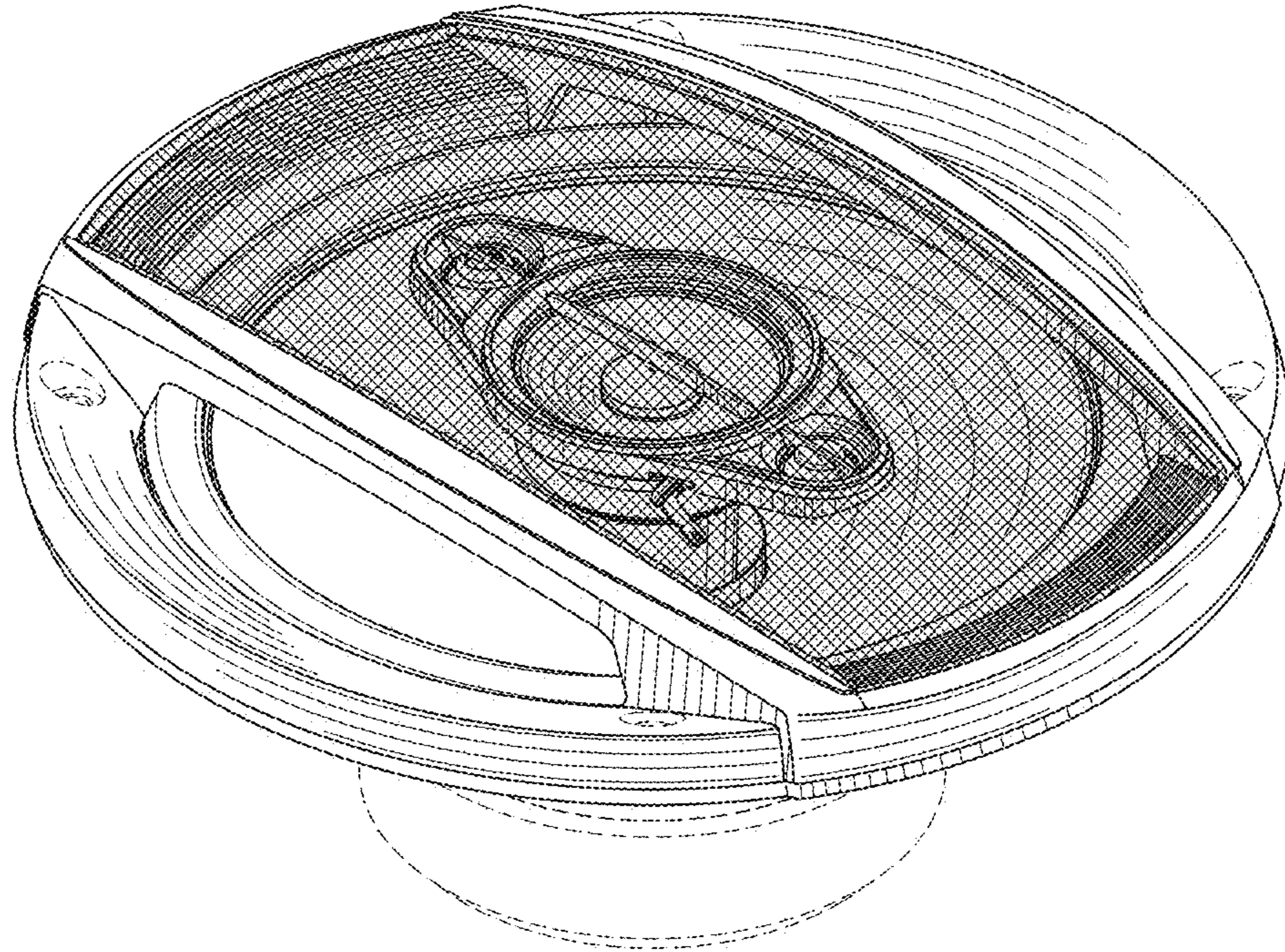


FIG. 1

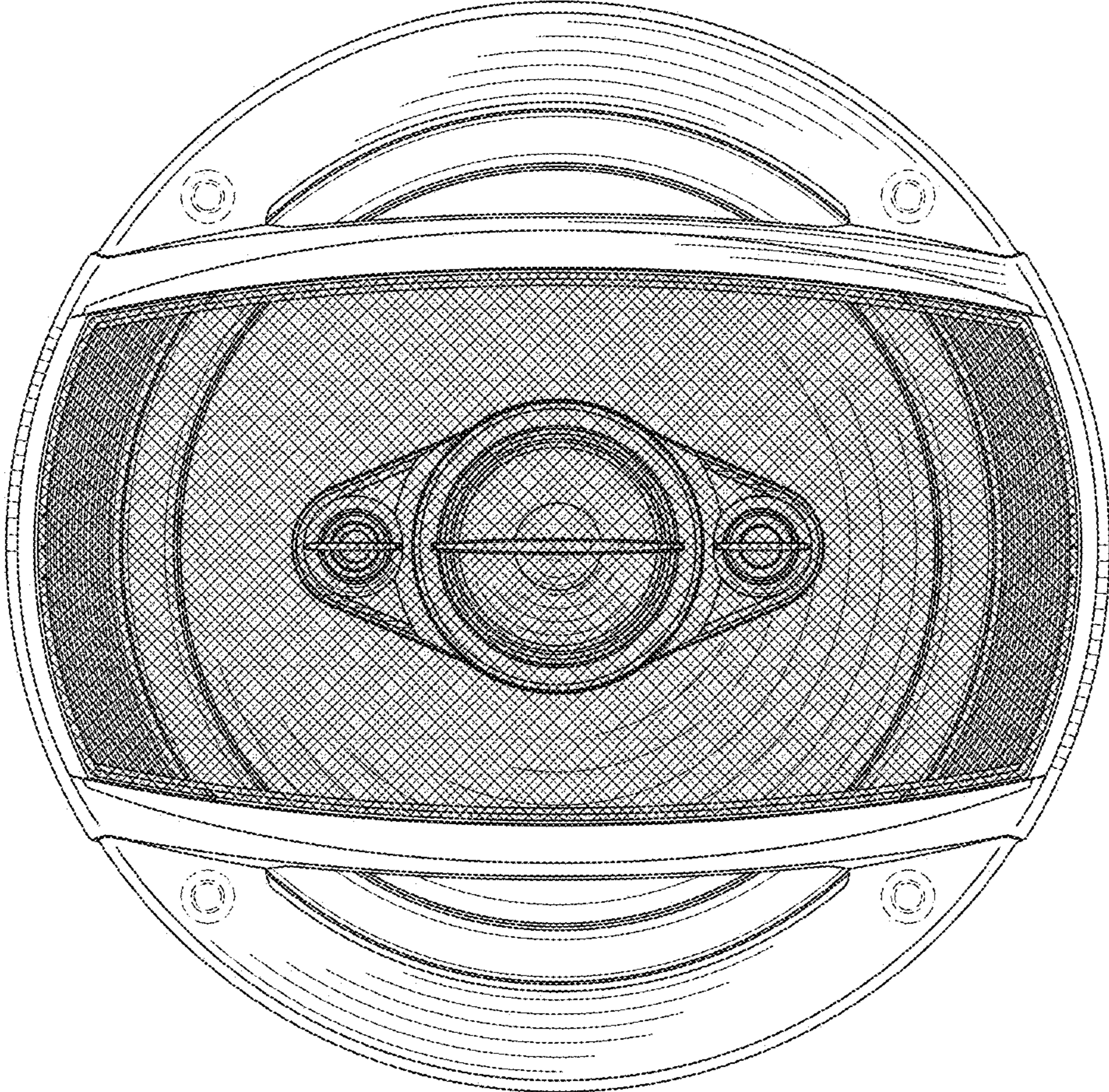


FIG. 2

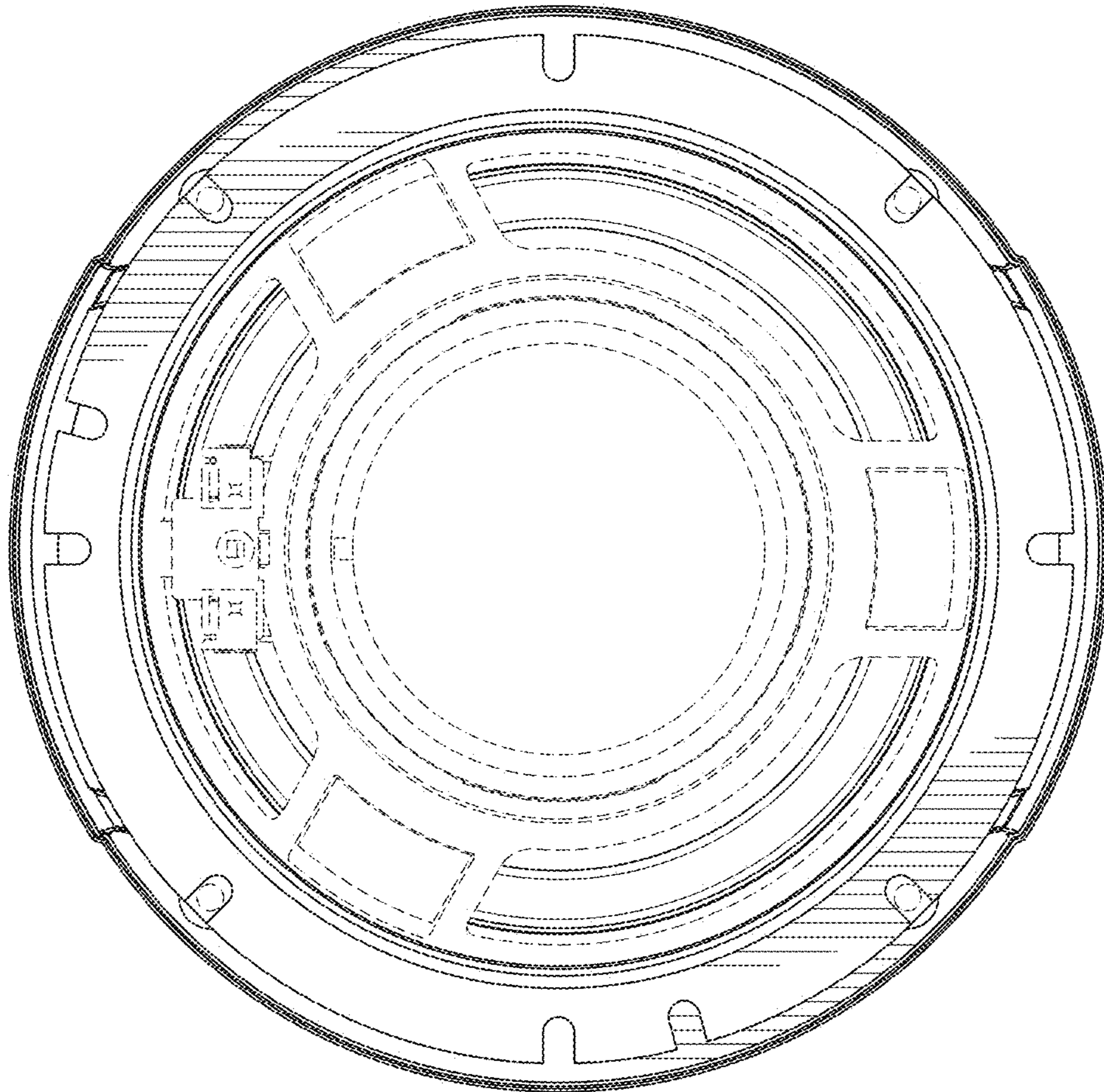


FIG. 3

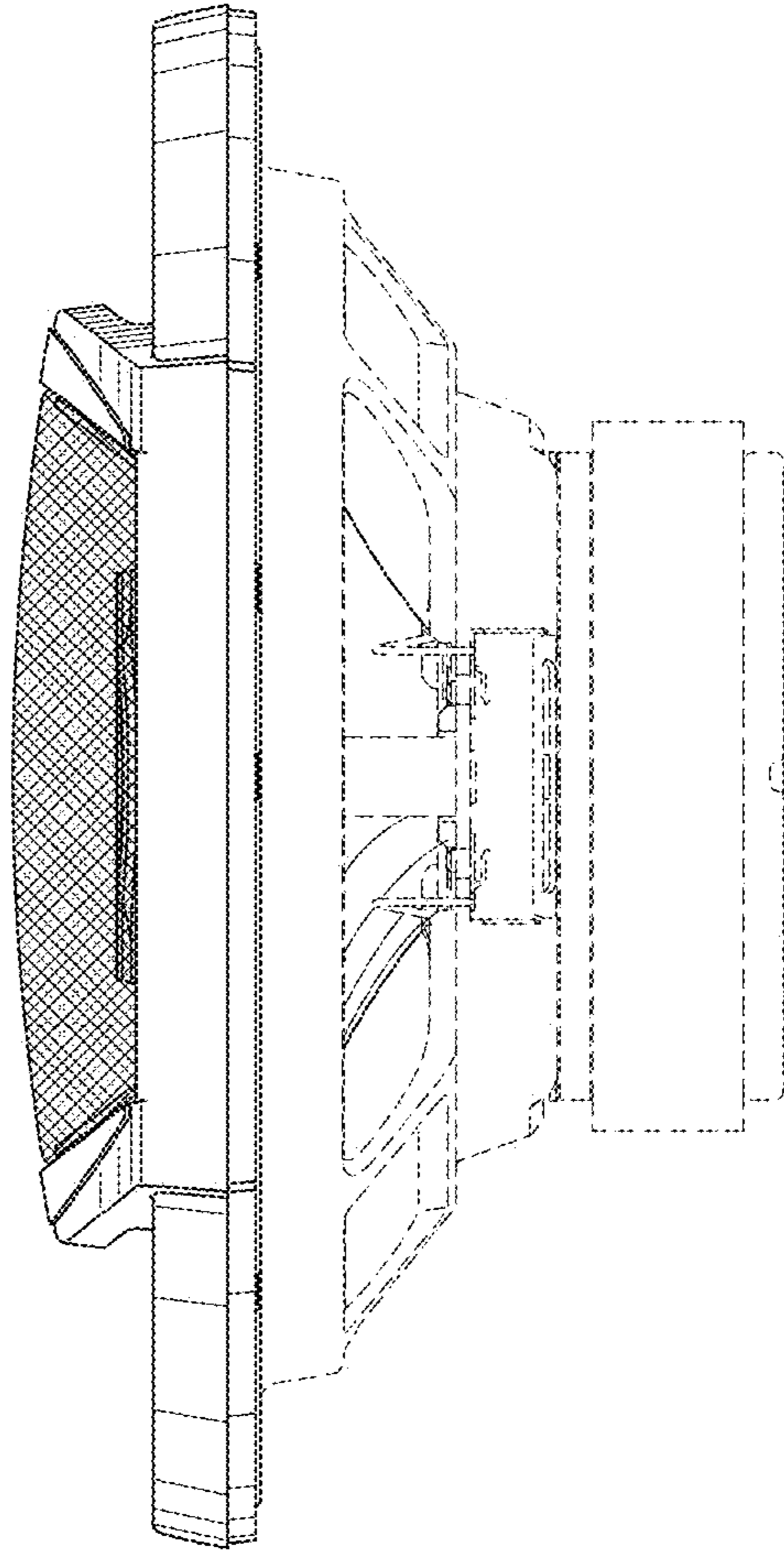


FIG. 4

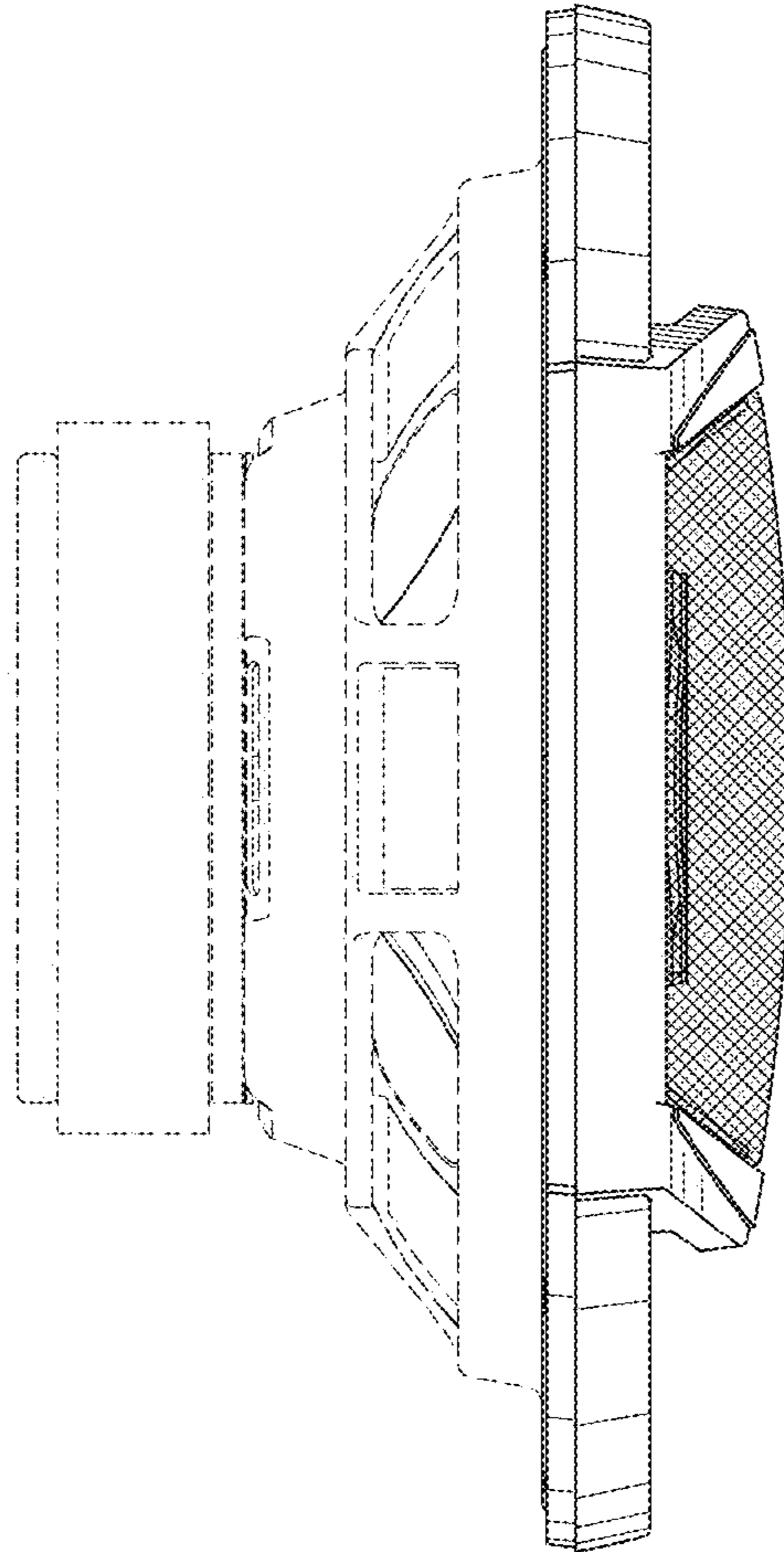


FIG. 5

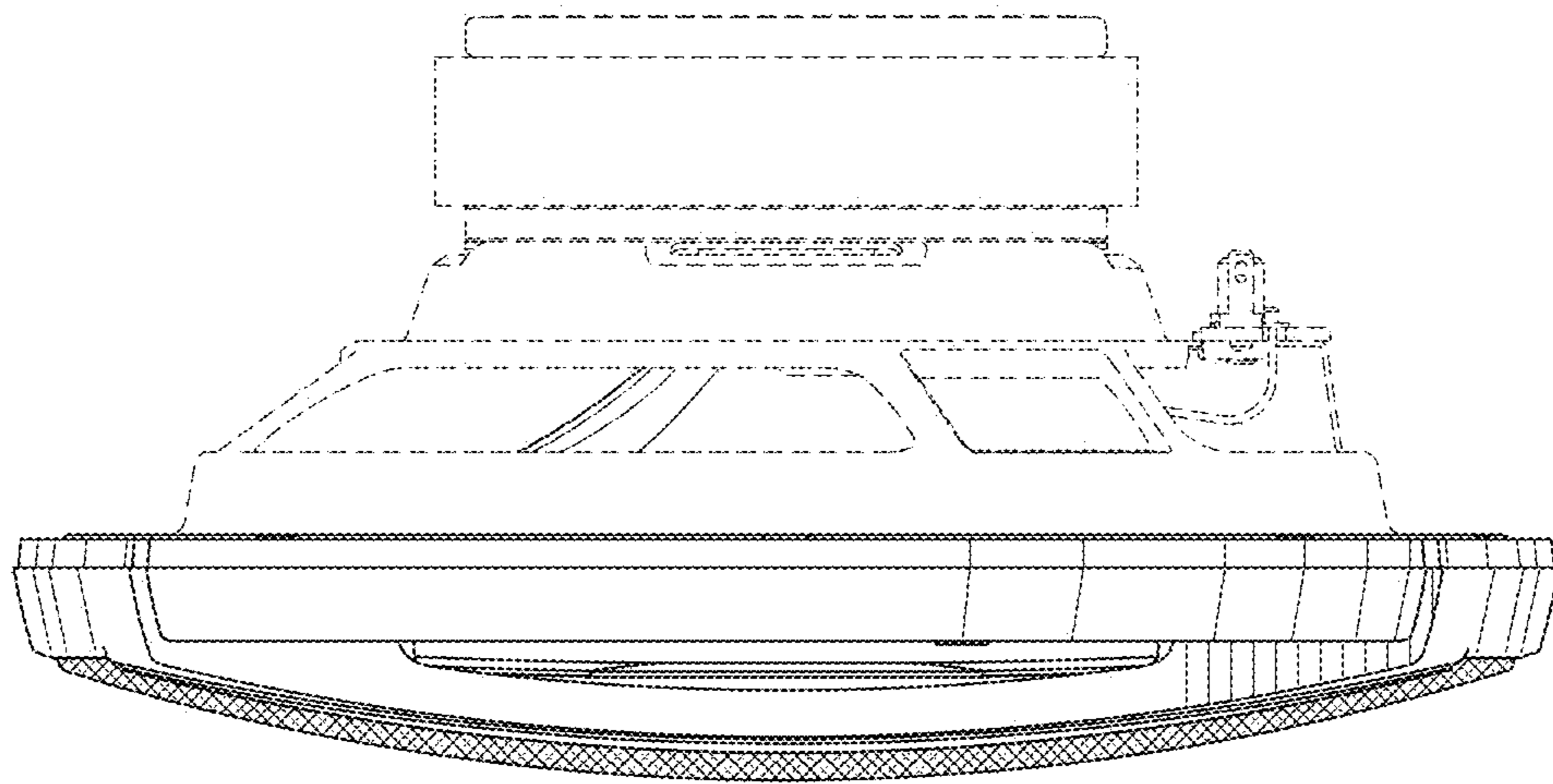


FIG. 6

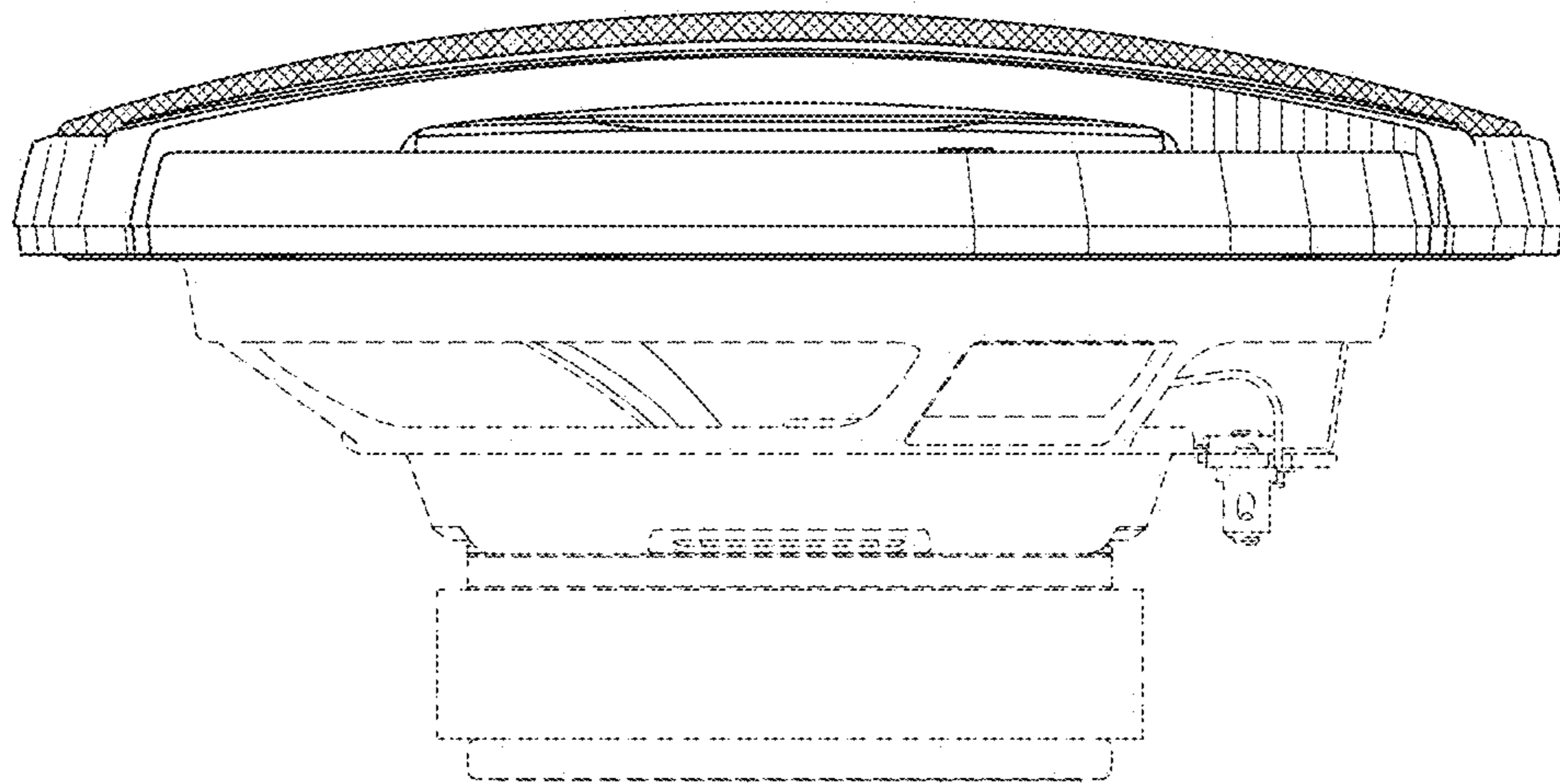


FIG. 7

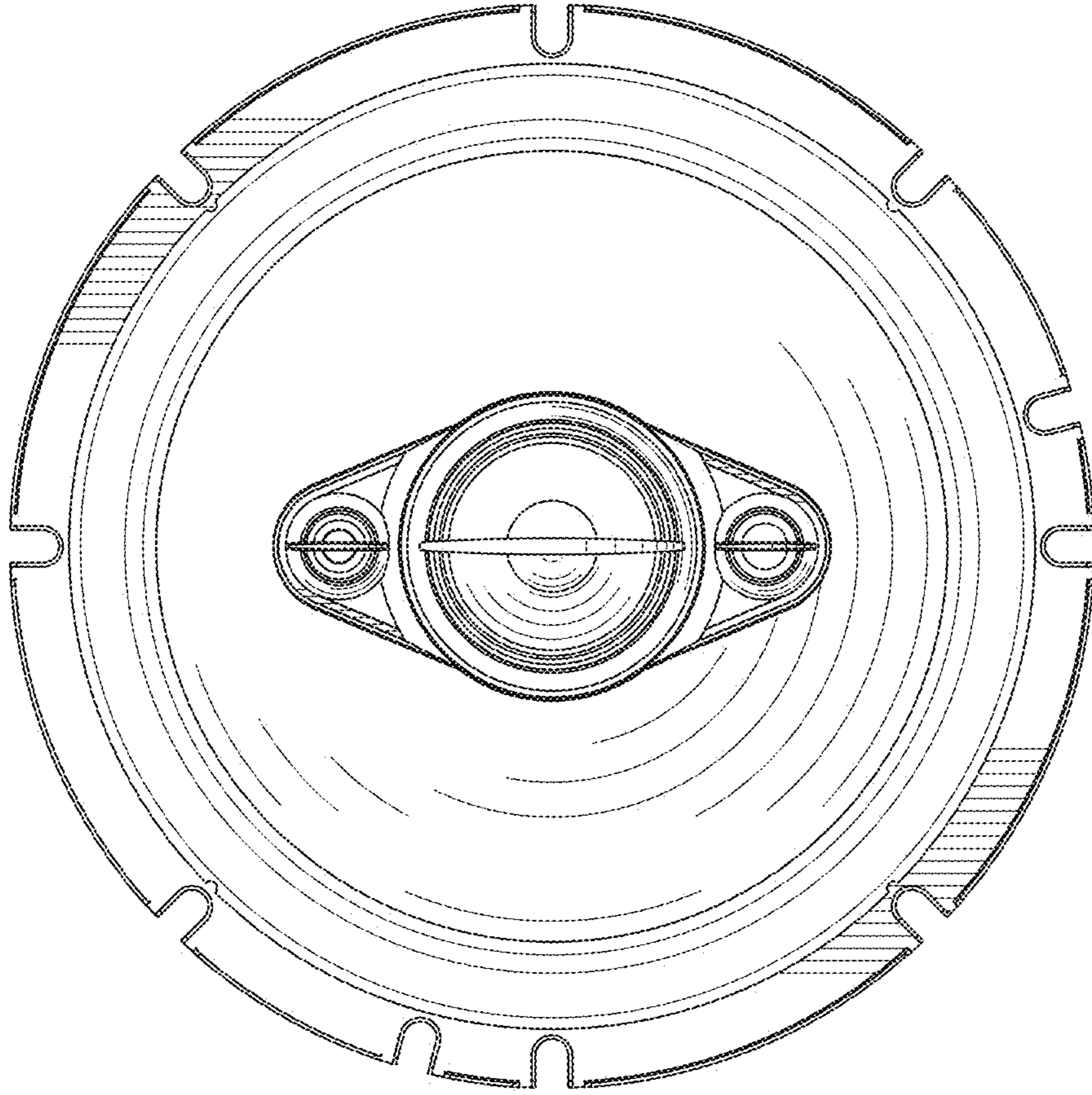


FIG. 8