

US00D897300S

(12) **United States Design Patent** (10) **Patent No.:** **US D897,300 S**
Nalbandian et al. (45) **Date of Patent:** **** Sep. 29, 2020**

- (54) **MOBILE DEVICE**
- (71) Applicant: **RAZER (ASIA-PACIFIC) PTE. LTD.**,
Singapore (SG)
- (72) Inventors: **Saro Nalbandian**, San Francisco, CA
(US); **Scott Croyle**, San Francisco, CA
(US)
- (73) Assignee: **RAZER (ASIA-PACIFIC) PTE. LTD.**,
Singapore (SG)
- (**) Term: **15 Years**
- (21) Appl. No.: **29/680,297**
- (22) Filed: **Feb. 14, 2019**

Related U.S. Application Data

- (62) Division of application No. 29/623,587, filed on Oct.
25, 2017.
- (51) **LOC (12) Cl.** **14-03**
- (52) **U.S. Cl.**
USPC **D14/138 G**
- (58) **Field of Classification Search**
USPC D14/138 G, 248, 341, 371, 374, 138 R,
D14/138 AA, 138 AB, 138 AC, 138 AD,
D14/138 C, 247
CPC H04M 1/0202; H04M 1/0235; H04M
1/0237; H04M 1/0239; H04M 1/0266;
H04M 1/0268; H04M 1/027; H04M
1/0295; H04M 1/02; H04M 1/0279;
H04M 1/0283
See application file for complete search history.

(56) **References Cited**

U.S. PATENT DOCUMENTS

- D502,162 S 2/2005 Kim et al.
- D541,785 S * 5/2007 Hwang D14/138 G
- D546,810 S 7/2007 Kwak

- D578,987 S * 10/2008 Lee D14/138 AD
- D583,344 S 12/2008 Sohn et al.
- D583,346 S * 12/2008 Jung D14/138 AD
- D592,168 S * 5/2009 Bai D14/138 AD
- D592,629 S * 5/2009 Bai D14/138 AD
- D609,680 S 2/2010 Kim et al.
- D616,852 S 6/2010 Kim et al.
- D622,718 S 8/2010 Andre et al.

(Continued)

OTHER PUBLICATIONS

Razer Phone, announced Nov. 2017, [online], [retrieved on Apr. 25, 2020]. Retrieved from Internet ,<URL: http://www.gsmarena.com>.*

(Continued)

Primary Examiner — Bridget L Eland

(74) *Attorney, Agent, or Firm* — Polsinelli PC

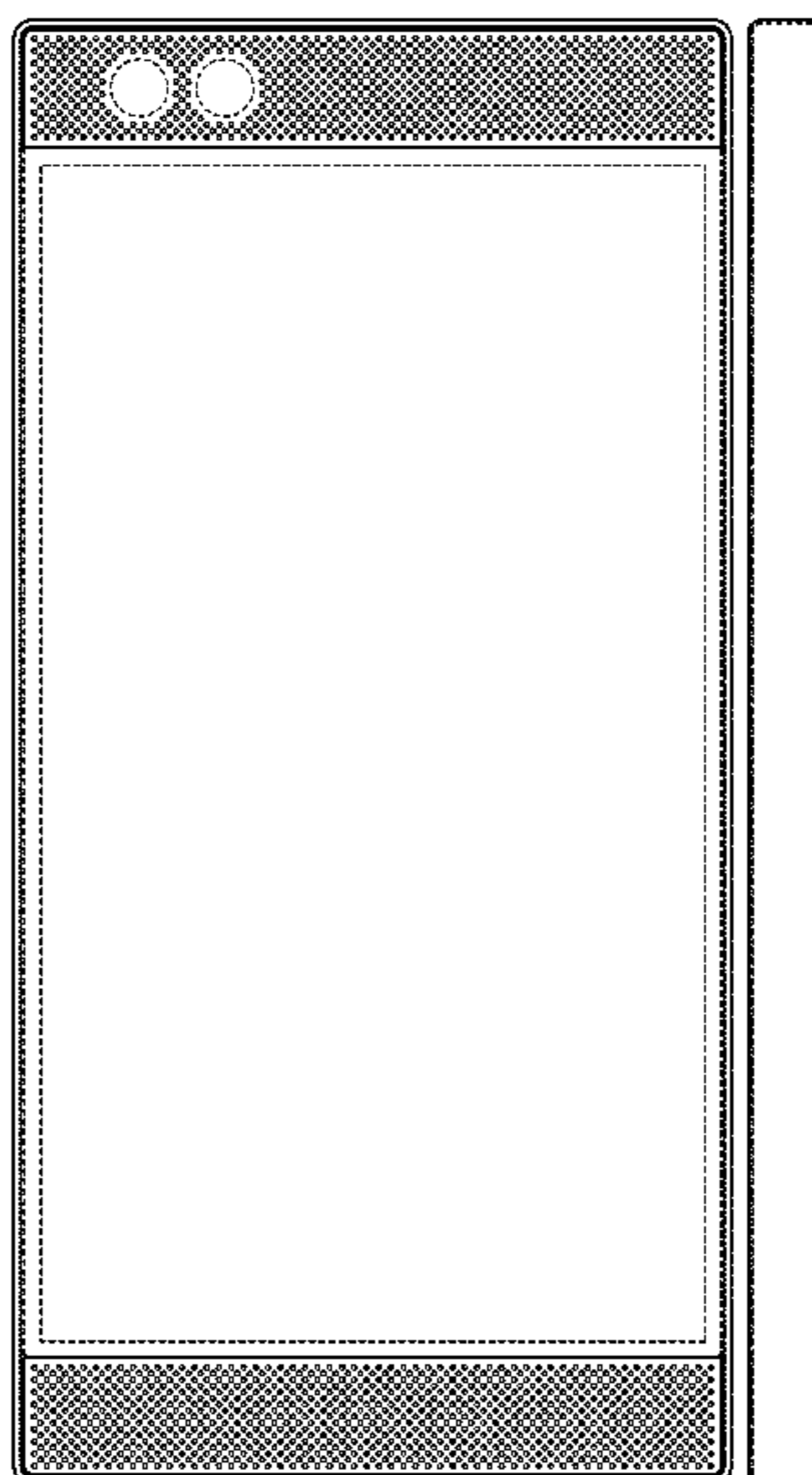
(57) **CLAIM**

We claim the ornamental design for a mobile device, as shown and described.

DESCRIPTION

FIG. 1 is a perspective view of a mobile device, showing our new design;
 FIG. 2 is a front elevational view thereof;
 FIG. 3 is a rear elevational view thereof;
 FIG. 4 is a right side elevational view thereof;
 FIG. 5 is a left side elevational view thereof;
 FIG. 6 is a top plan view thereof; and,
 FIG. 7 is a bottom plan view thereof.
 The broken lines immediately adjacent the claim represent the bounds of the claimed design while all other broken lines are directed to environment and are for illustrative purposes only; the broken lines form no part of the claimed design. In addition, the surface between the top and bottom solid lines and the broken lines in the FIG. 1 and FIG. 2 views forms no part of the claimed design.

1 Claim, 7 Drawing Sheets



(56)

References Cited

U.S. PATENT DOCUMENTS

D622,719 S 8/2010 Andre et al.
 D654,464 S 2/2012 Han
 D662,907 S 7/2012 Sim
 D670,262 S 11/2012 Mitchell et al.
 D673,924 S 1/2013 Mitchell et al.
 D683,711 S 6/2013 Hofer et al.
 D695,704 S 12/2013 Kim et al.
 D712,368 S * 9/2014 Hibi D14/138 G
 D730,859 S * 6/2015 Kaneta D14/138 G
 D736,766 S * 8/2015 Paschke D14/138 G
 D745,004 S 12/2015 Kim
 D745,483 S 12/2015 Dhondt
 D749,534 S * 2/2016 Liu D14/138 G
 D755,148 S * 5/2016 Wu D14/138 G
 D760,707 S 7/2016 Walliser et al.
 D762,607 S 8/2016 Yoon et al.
 D768,594 S 10/2016 Szeto
 D770,409 S * 11/2016 Jing D14/138 G
 D770,433 S 11/2016 Kangasmaa et al.
 D774,486 S * 12/2016 Defazio D14/138 G
 D777,700 S 1/2017 Kwon et al.
 D780,179 S 2/2017 Bae et al.
 D783,564 S * 4/2017 Park D14/138 C
 D787,467 S * 5/2017 Xu D14/138 C
 D788,729 S * 6/2017 Park D14/138 AA
 D788,733 S * 6/2017 Park D14/138 G
 D789,902 S * 6/2017 Park D14/138 G
 D790,496 S * 6/2017 Park D14/138 AA
 D790,534 S 6/2017 Paschke et al.
 D791,732 S 7/2017 Xu et al.
 D801,295 S * 10/2017 Park D14/138 G
 D801,947 S 11/2017 Gordon et al.
 D802,550 S * 11/2017 Enquist D14/138 G

D808,952 S 1/2018 Defazio et al.
 D812,049 S 3/2018 Akana et al.
 D817,297 S * 5/2018 Lee D14/138 G
 D820,801 S 6/2018 Yeom
 D822,633 S 7/2018 Yeom
 D823,272 S * 7/2018 Croyle D14/138 G
 D827,605 S 9/2018 Yao
 D827,625 S 9/2018 Berneth
 D829,187 S * 9/2018 Zhang D14/138 G
 D838,270 S * 1/2019 Cho D14/341
 D840,367 S 2/2019 Jiang et al.
 D841,611 S 2/2019 Kim et al.
 D851,054 S * 6/2019 Nalbandian D14/138 G
 D861,630 S 10/2019 Chiang et al.
 2008/0045279 A1 * 2/2008 Ohki H04M 1/0212
 455/575.1

OTHER PUBLICATIONS

Razer Phone 2, announced Oct. 2018, [online], [retrieved on Apr. 25, 2020]. Retrieved from Internet ,<URL: <http://www.gsmarena.com>>.*
 Applie iPhone 7 Plus, announced Sep. 2016, [online], [retrieved on Jan. 26, 2019]. Retrieved from Internet, <URL: <http://www.gsmarena.com>>.
 Plum Might, announced May 2012, [online], [retrieved on Nov. 28, 2012]. Retrieved from Internet ,<URL: <http://www.gsmarena.com>>.
 HTC One, announced Feb. 2013, [online], [retrieved on Mar. 4, 2013]. Retrieved from Internet,<URL: <http://www.gsmarena.com>>.
 BlackBerry Z10, announced Jan. 2013, [online], [retrieved on Mar. 4, 2013]. Retrieved from Internet,<URL: <http://www.gsmarena.com>>.

* cited by examiner

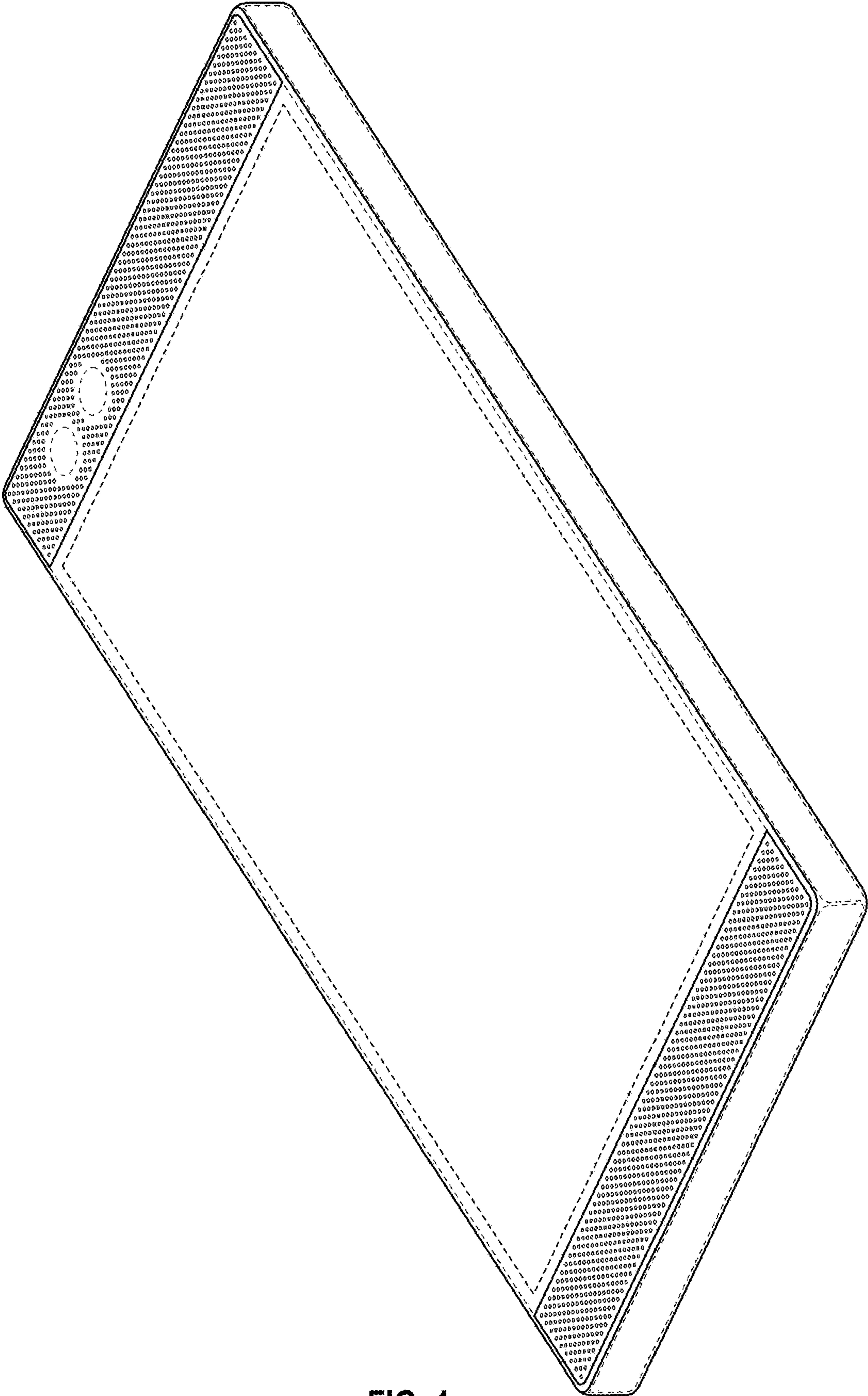


FIG. 1

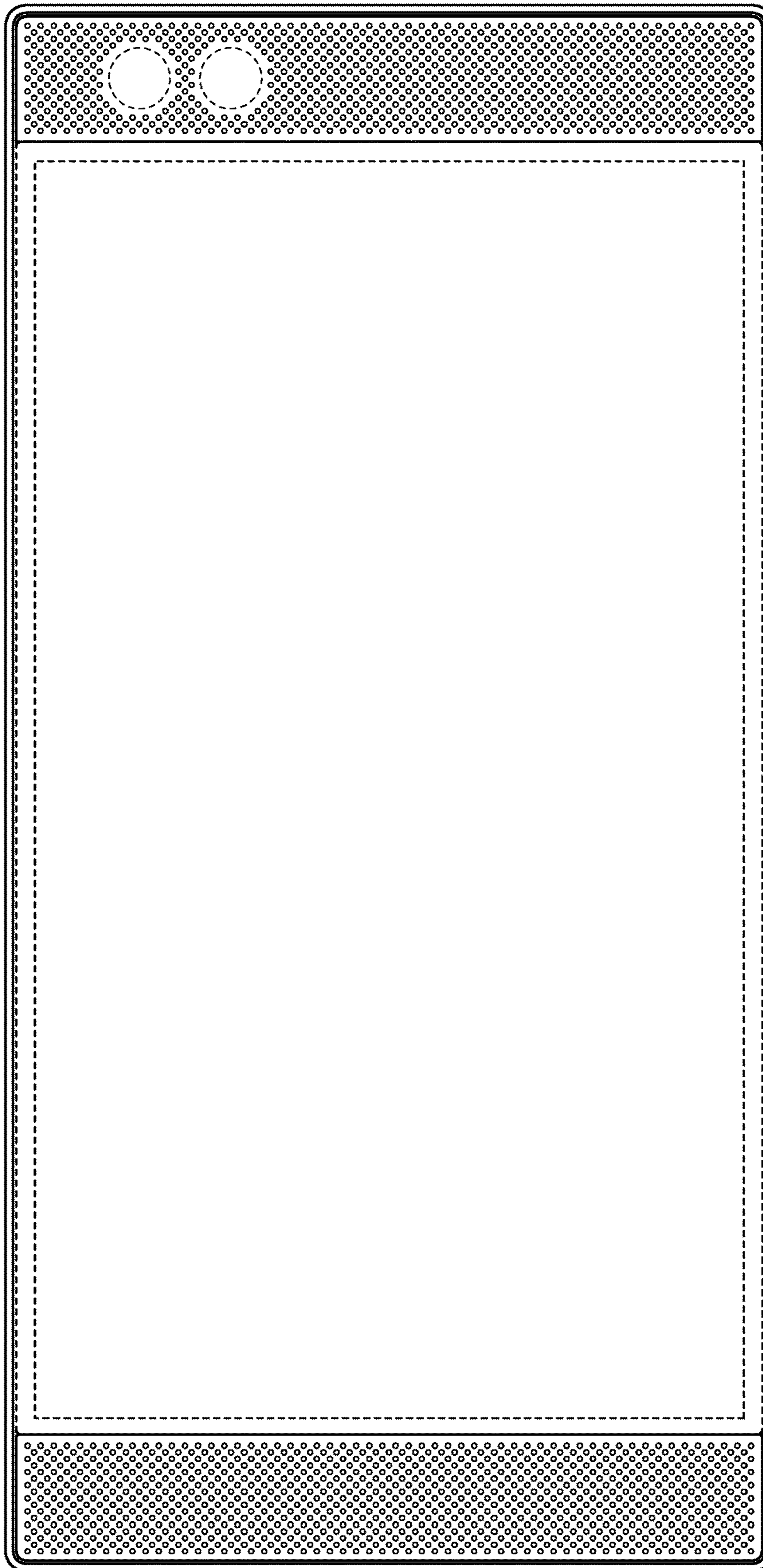


FIG. 2

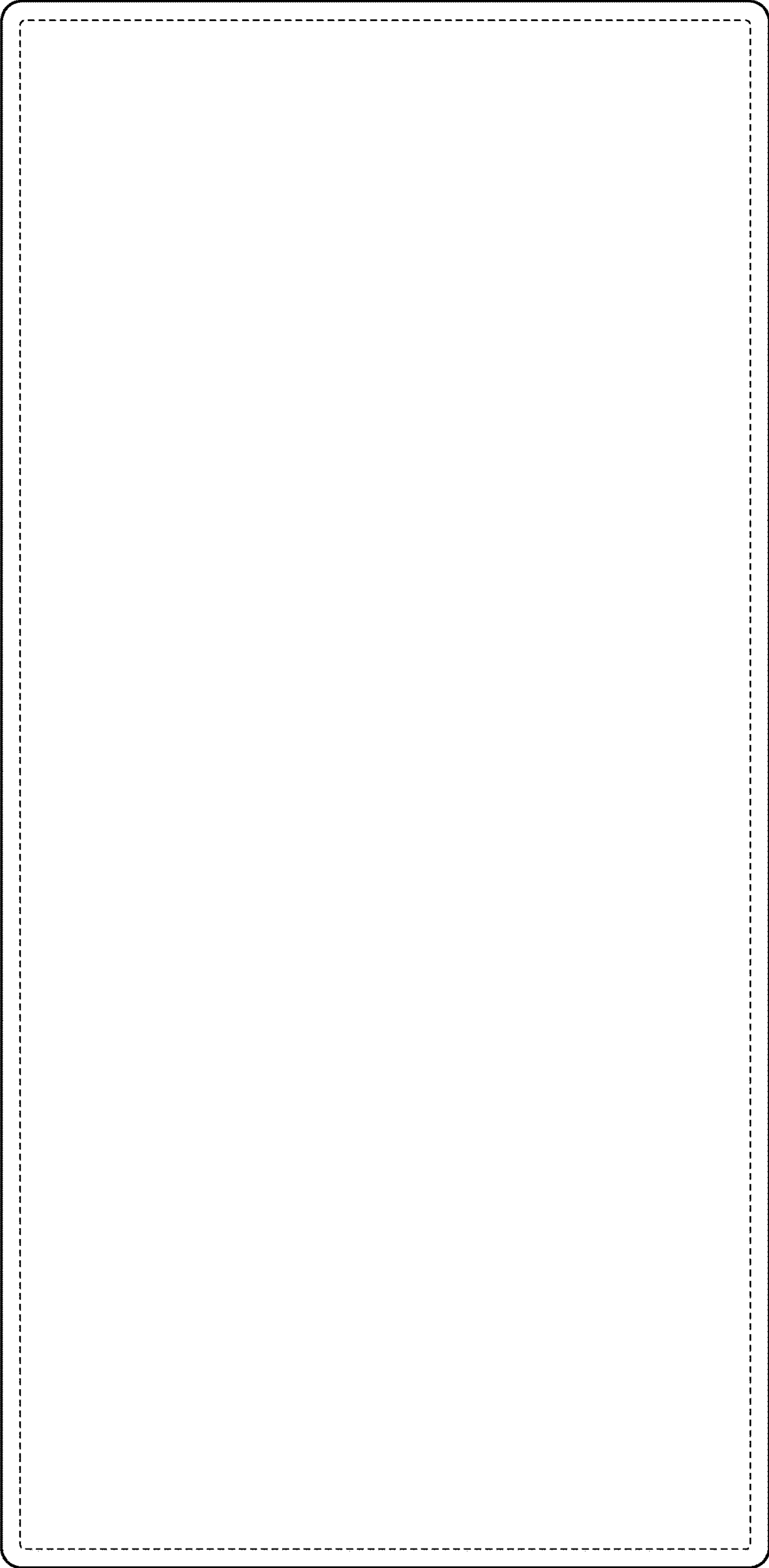


FIG. 3

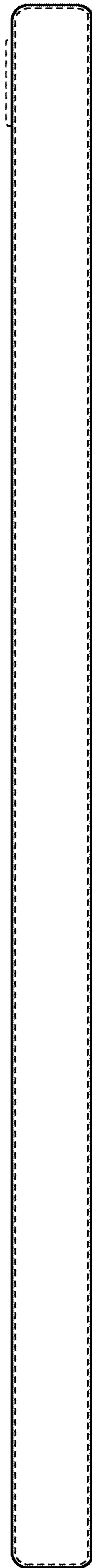


FIG. 4

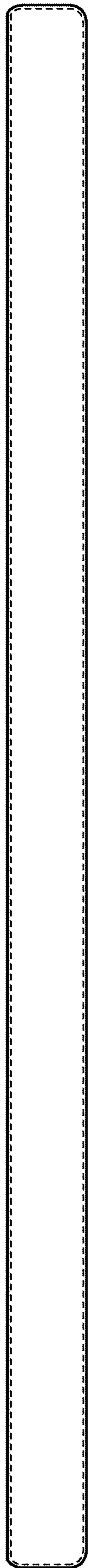


FIG. 5



FIG. 6



FIG. 7