



US00D897296S

(12) **United States Design Patent**
Hu et al.

(10) **Patent No.:** **US D897,296 S**
(45) **Date of Patent:** **** Sep. 29, 2020**

(54) **LIGHT-EMITTING DEVICE**

(71) Applicant: **EPISTAR CORPORATION**, Hsinchu (TW)

(72) Inventors: **Wei-Shan Hu**, Hsinchu (TW);
Ching-Tai Cheng, Hsinchu (TW);
Pei-Hsuan Lan, Hsinchu (TW)

(73) Assignee: **Epistar Corporation**, Hsinchu (TW)

(**) Term: **15 Years**

(21) Appl. No.: **29/674,976**

(22) Filed: **Dec. 27, 2018**

(30) **Foreign Application Priority Data**

Jun. 28, 2018 (TW) 107303633

(51) **LOC (12) Cl.** **13-03**

(52) **U.S. Cl.**
USPC **D13/180**

(58) **Field of Classification Search**
USPC D13/180; D24/1
CPC ... H01L 25/167; H01L 25/0753; H01L 27/15;
H01L 27/156; H01L 31/02; H01L 33/00;
H01L 33/04; H01L 33/08; H01L 33/10;
H01L 33/20; H01L 33/38; H01L 33/42;
H01L 33/48; H01L 33/483; H01L 33/486;
F21K 9/00
See application file for complete search history.

(56) **References Cited**

U.S. PATENT DOCUMENTS

D728,491 S * 5/2015 Nakabayashi D13/180
D731,987 S * 6/2015 Ishida D13/180
9,761,774 B2 * 9/2017 Chen H01L 33/40

10,177,290 B2 * 1/2019 Hsieh H01L 24/13
10,205,070 B2 * 2/2019 Liu H01L 33/38
2013/0049031 A1 * 2/2013 Matsuda H01L 33/486
257/88
2013/0221383 A1 * 8/2013 Lee H01L 33/486
257/88
2016/0365497 A1 * 12/2016 Kim H01L 24/06
2016/0372630 A1 * 12/2016 Jang H01L 33/24
2016/0372646 A1 * 12/2016 Yoon H05B 45/20
2017/0179344 A1 * 6/2017 Matsuda H01L 33/0095
2017/0222107 A1 * 8/2017 Chen H01L 33/46
2017/0268734 A1 * 9/2017 Kawaguchi H05B 45/20
2018/0033934 A1 * 2/2018 Matsuda H01L 33/62
2018/0182917 A1 * 6/2018 Kuramoto H01L 33/502
2018/0259137 A1 * 9/2018 Lee H01L 33/504
2019/0067536 A1 * 2/2019 Oka H01L 33/52
2019/0181074 A1 * 6/2019 Huang H01L 33/62
2019/0280176 A1 * 9/2019 Lee H01L 33/52
2019/0386180 A1 * 12/2019 Hwang H01L 33/46

* cited by examiner

Primary Examiner — Selina Sikder

(74) *Attorney, Agent, or Firm* — Muncy, Geissler, Olds & Lowe, P.C.

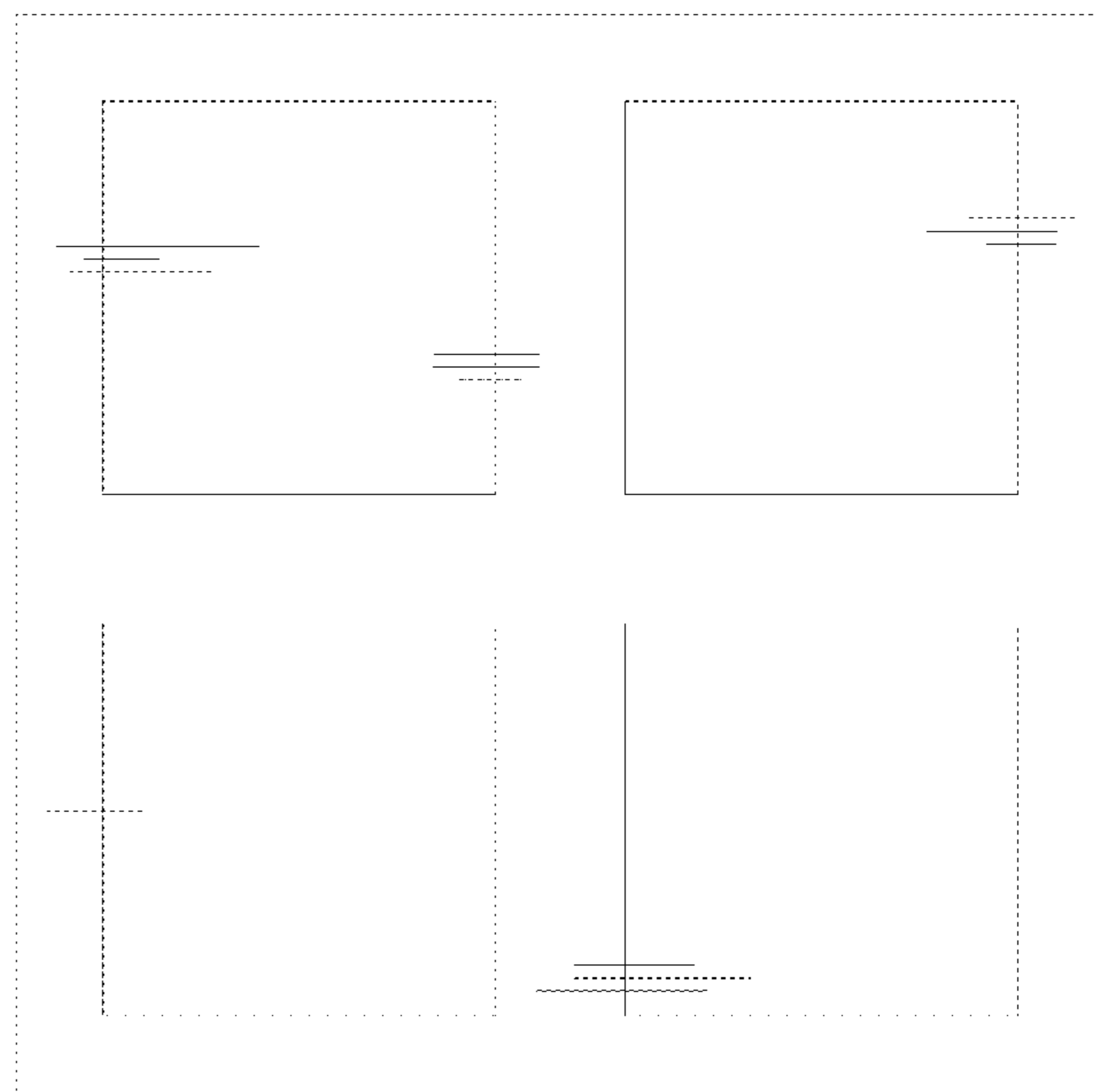
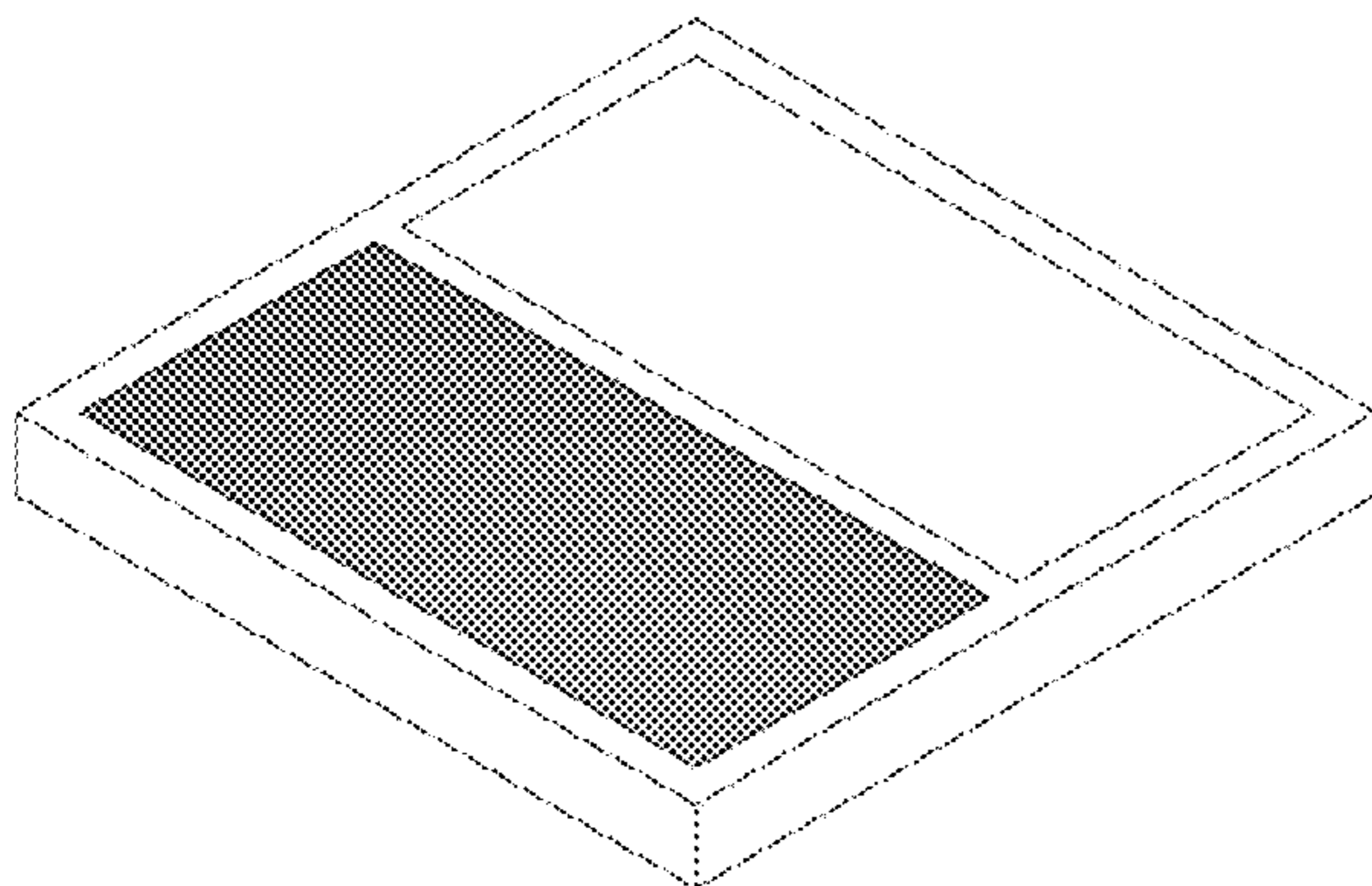
(57) **CLAIM**

The ornamental design for a light-emitting device, as shown and described.

DESCRIPTION

FIG. 1 is a first perspective view of a light-emitting device showing our new design;
FIG. 2 is a second perspective view thereof;
FIG. 3 is a front elevational view thereof;
FIG. 4 is a rear elevational view thereof;
FIG. 5 is a left side view thereof;
FIG. 6 is a right side view thereof;
FIG. 7 is a top plan view thereof; and,
FIG. 8 is a bottom plan view thereof.

1 Claim, 6 Drawing Sheets



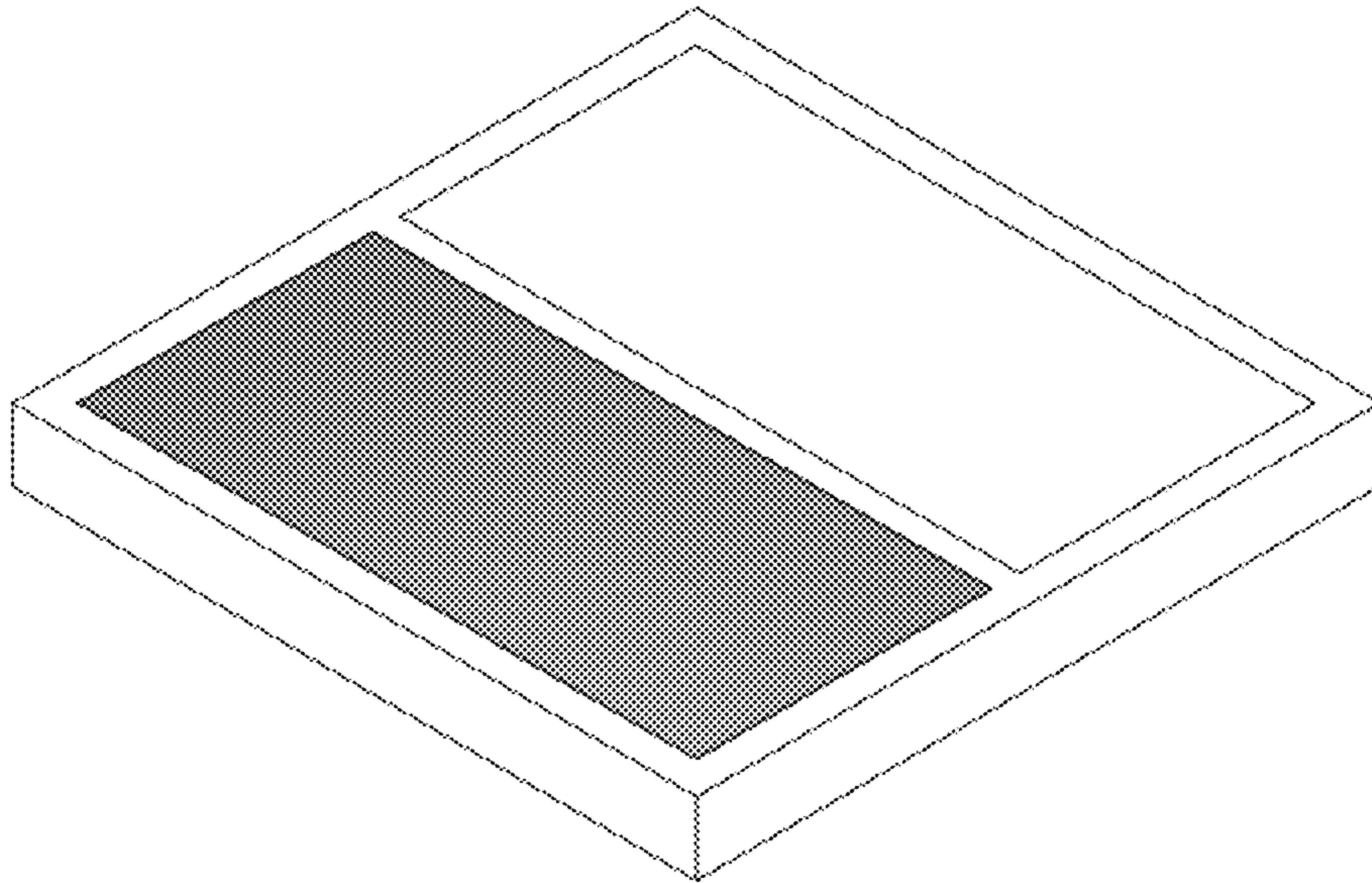


FIG. 1

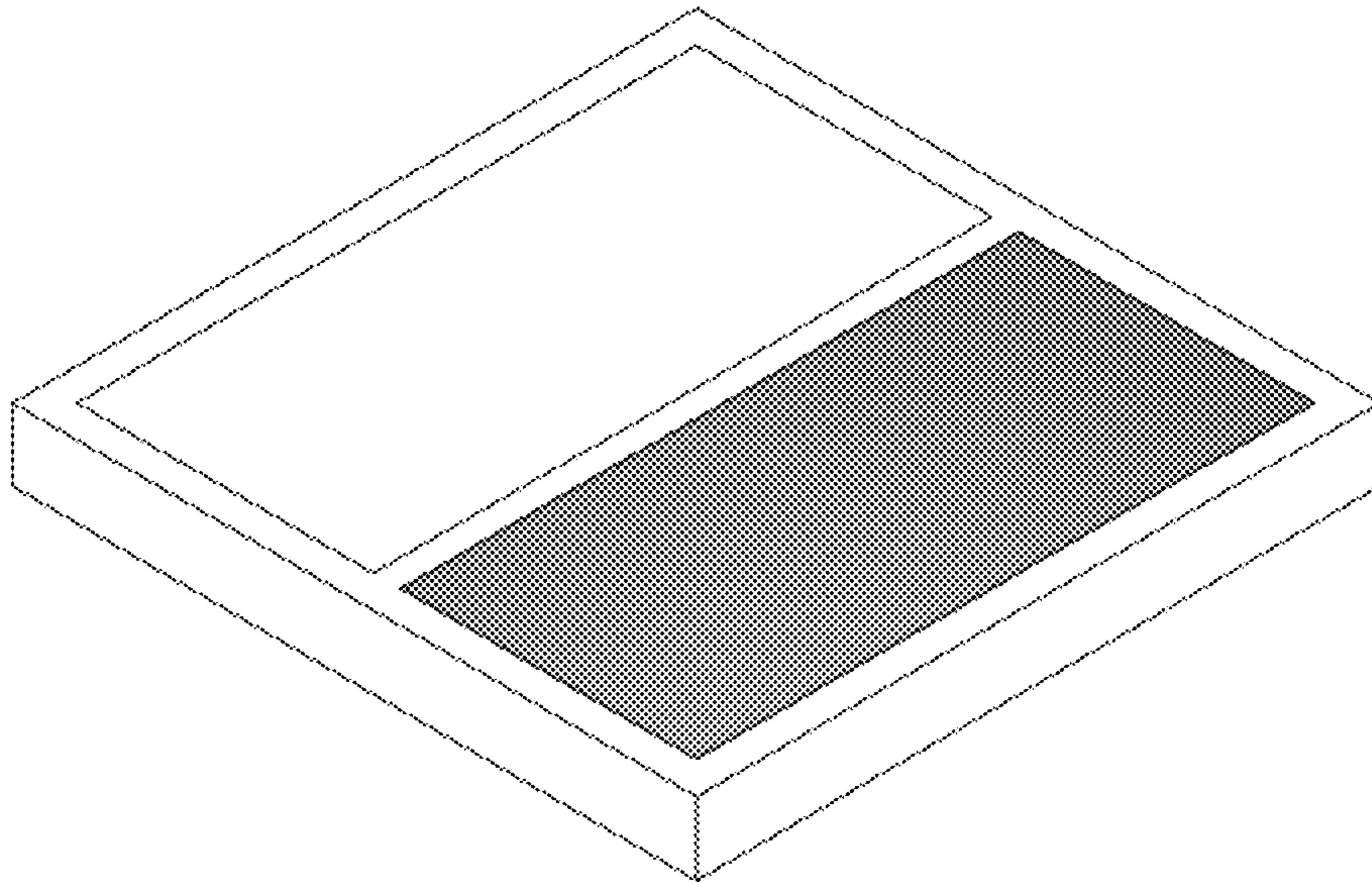


FIG. 2



FIG. 3



FIG. 4

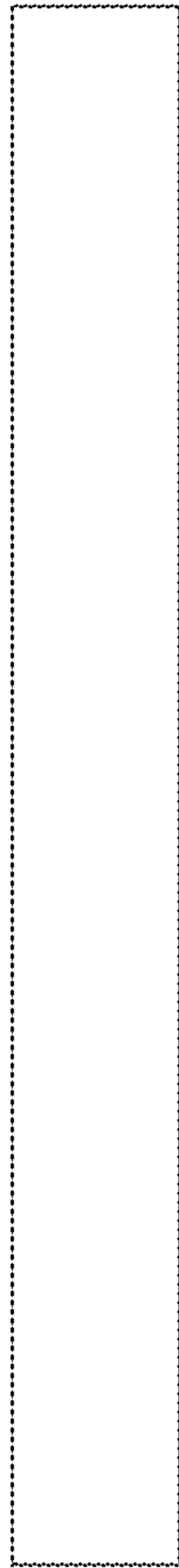


FIG. 5



FIG. 6

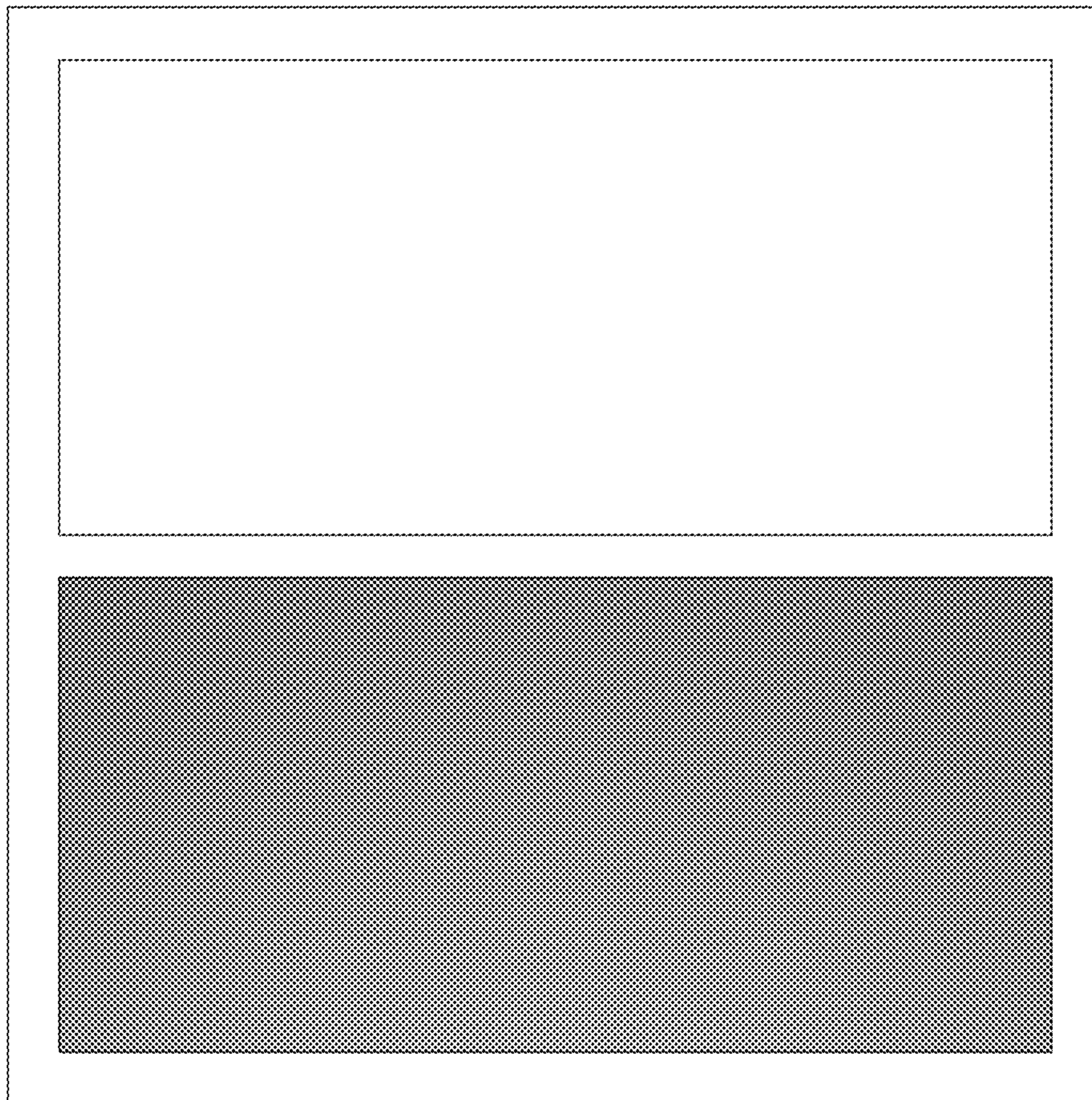


FIG. 7

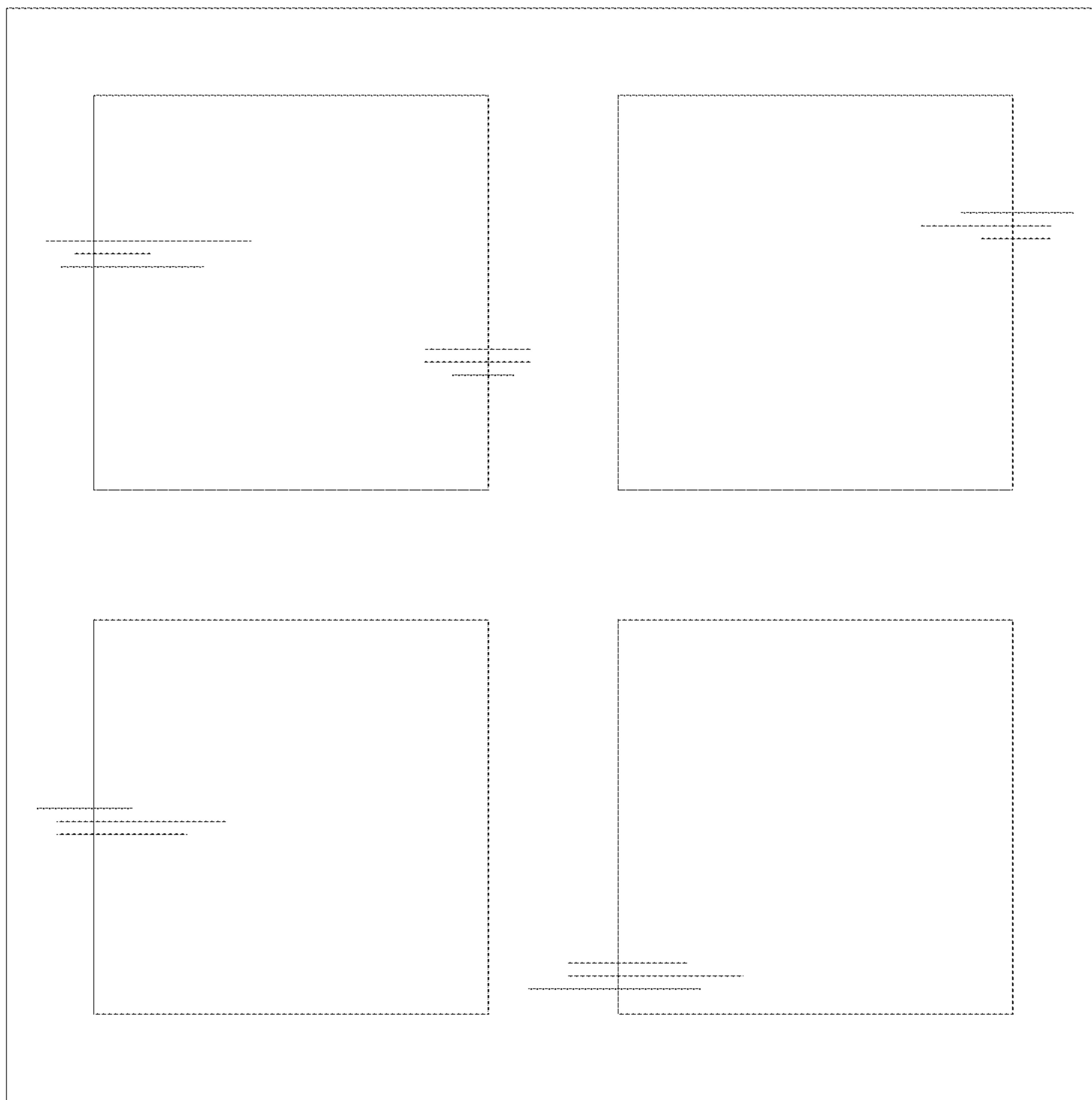


FIG. 8