



US00D897292S

(12) **United States Design Patent**  
**Matthai et al.**

(10) **Patent No.:** **US D897,292 S**

(45) **Date of Patent:** **\*\* Sep. 29, 2020**

(54) **MODULAR POWER UNIT**

(71) Applicant: **HERMAN MILLER, INC.**, Zeeland,  
MI (US)

(72) Inventors: **John Matthai**, Holland, MI (US); **Joel  
Ruiter**, Ada, MI (US)

(73) Assignee: **HERMAN MILLER, INC.**, Zeeland,  
MI (US)

(\*\*) Term: **15 Years**

(21) Appl. No.: **29/648,713**

(22) Filed: **May 23, 2018**

(51) **LOC (12) Cl.** ..... **13-03**

(52) **U.S. Cl.**  
USPC ..... **D13/139.4**; D13/110

(58) **Field of Classification Search**  
USPC ..... D13/107, 108, 110, 118, 123, 133,  
D13/137.1–137.4, 18.1, 138.2, 139.4, 152,  
D13/154, 162, 184, 199; D14/432, 433  
CPC .. H01R 25/00; H01R 25/006; H01R 13/6675;  
H01R 13/10; H01R 13/44; H01R 13/66;  
H01R 13/447; H01R 13/652; H01R  
31/00; H01R 31/065; H01R 35/00; H01H  
2207/022

See application file for complete search history.

(56) **References Cited**

**U.S. PATENT DOCUMENTS**

D472,213 S \* 3/2003 Byrne ..... D13/139.4  
D513,228 S \* 12/2005 Ohm ..... D13/123  
D535,257 S \* 1/2007 Byrne ..... D13/139.4

D665,355 S \* 8/2012 Byrne ..... D13/139.4  
D694,715 S \* 12/2013 Fichte ..... D13/162  
D707,178 S \* 6/2014 Byrne ..... D13/139.4  
2004/0147147 A1\* 7/2004 Griepentrog ..... H01R 13/447  
439/131

\* cited by examiner

*Primary Examiner* — Derrick E Holland

(74) *Attorney, Agent, or Firm* — Michael Best &  
Friedrich LLP

(57) **CLAIM**

We claim the ornamental design for a modular power unit,  
as shown and described.

**DESCRIPTION**

FIG. 1 is a perspective view of a modular power unit  
embodying the invention.

FIG. 2 is a first side view of the modular power unit of FIG.  
1.

FIG. 3 is a second side view of the modular power unit of  
FIG. 1.

FIG. 4 is a first end view of the modular power unit of FIG.  
1.

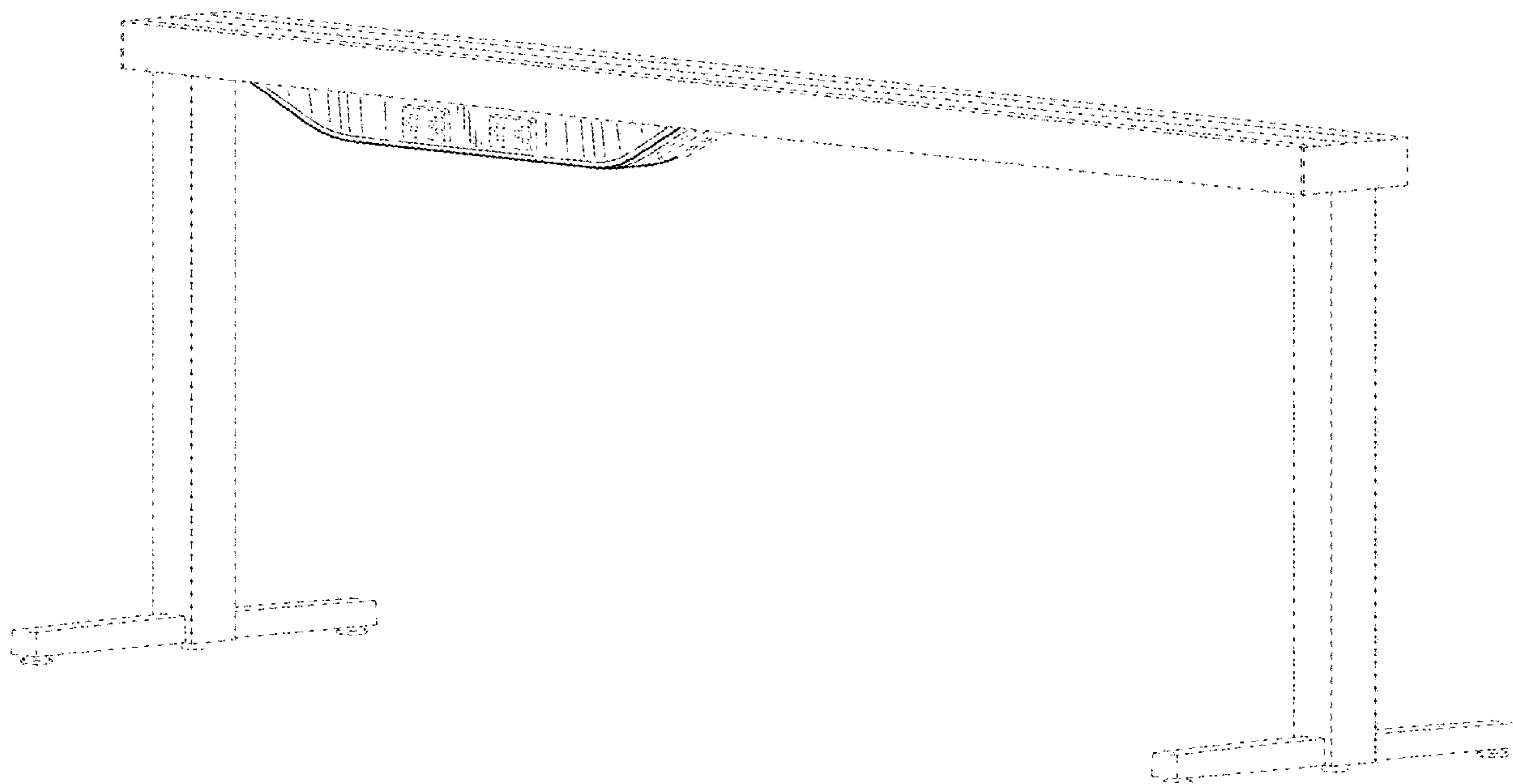
FIG. 5 is a second end view of the modular power unit of  
FIG. 1.

FIG. 6 is a top view of the modular power unit of FIG. 1;  
and,

FIG. 7 is a bottom view of the modular power unit of FIG.  
1.

The broken lines shown in the figures represent environ-  
mental subject matter and form no part of the claimed  
design.

**1 Claim, 5 Drawing Sheets**



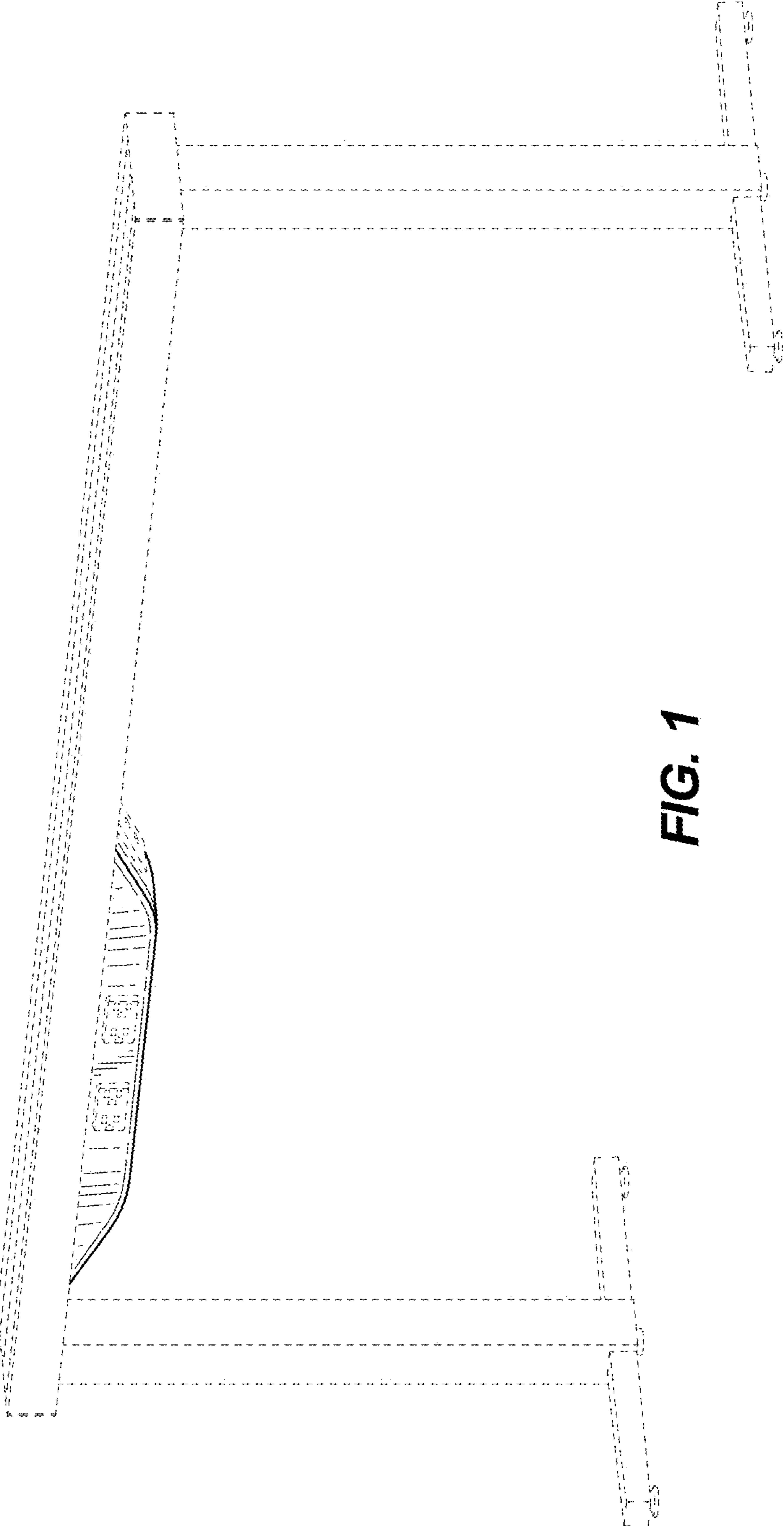
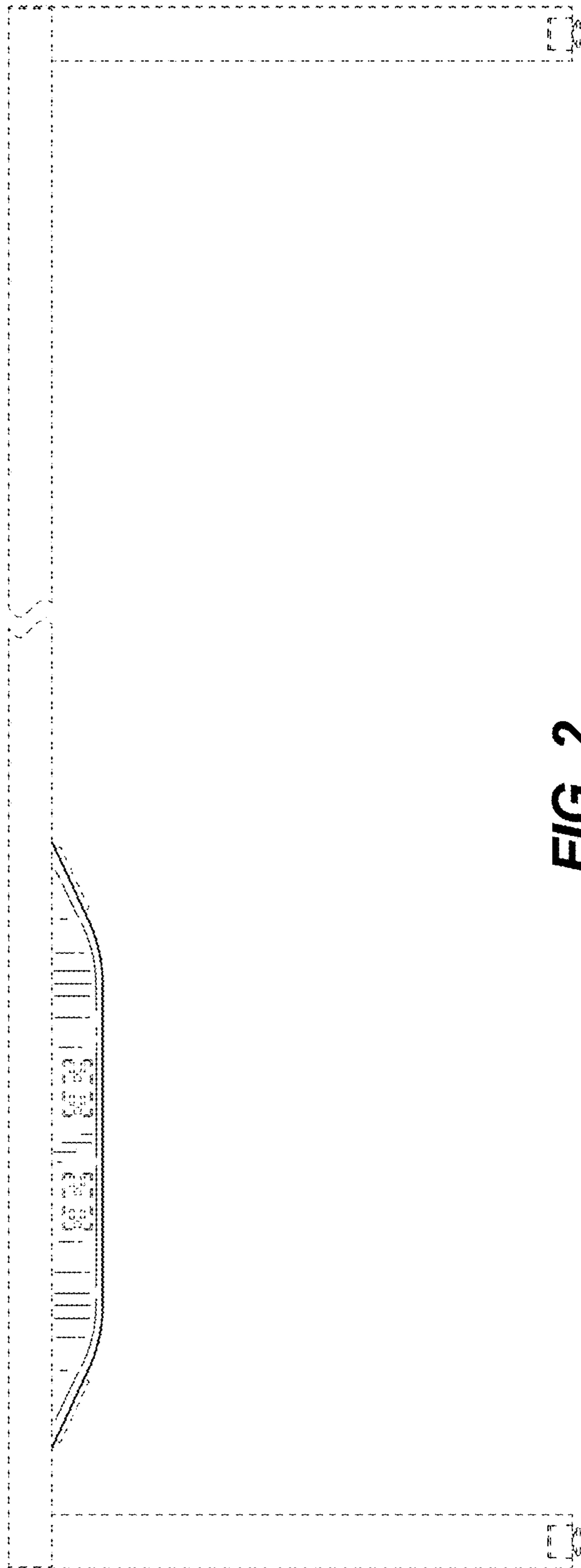
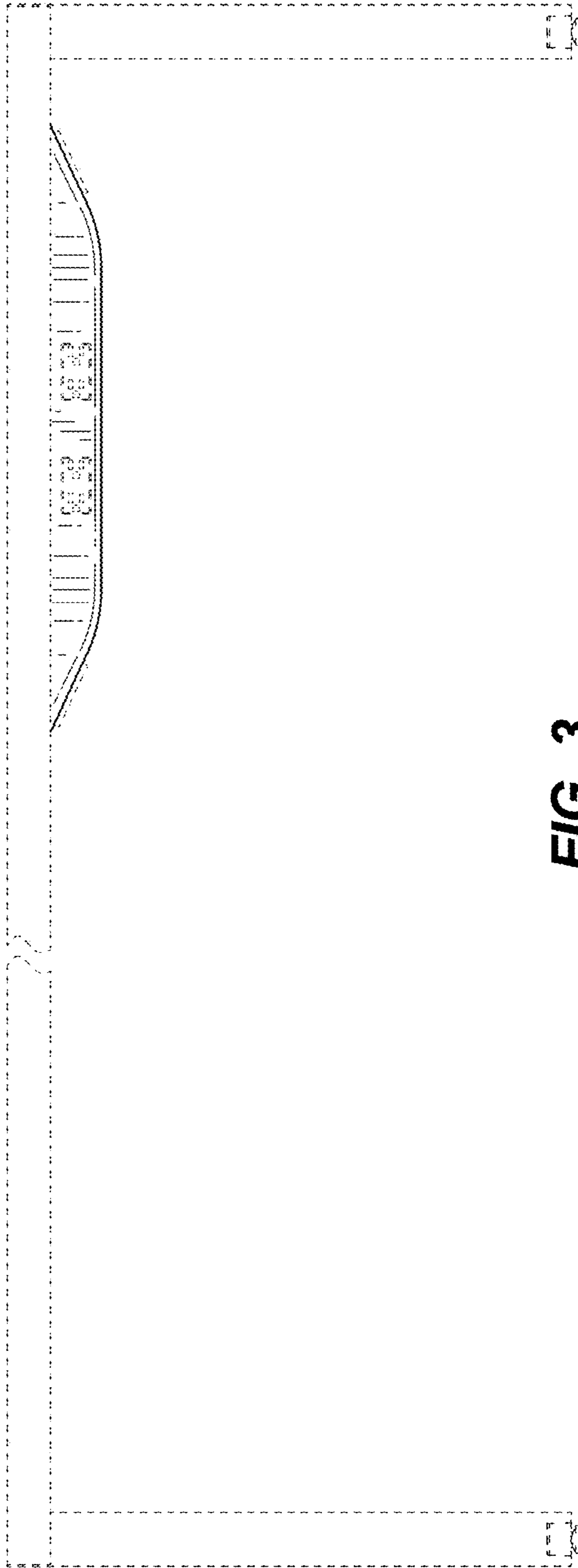


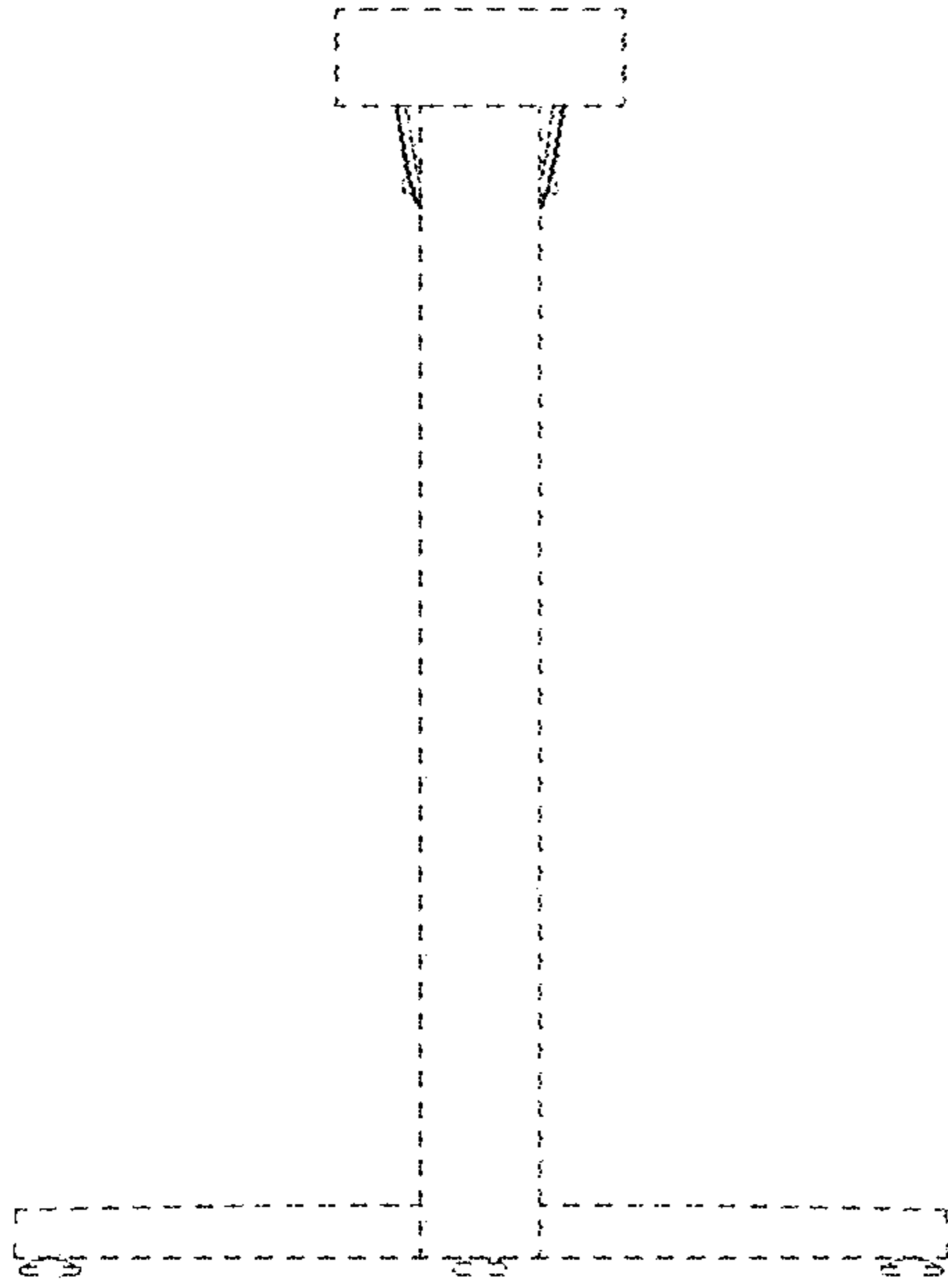
FIG. 1



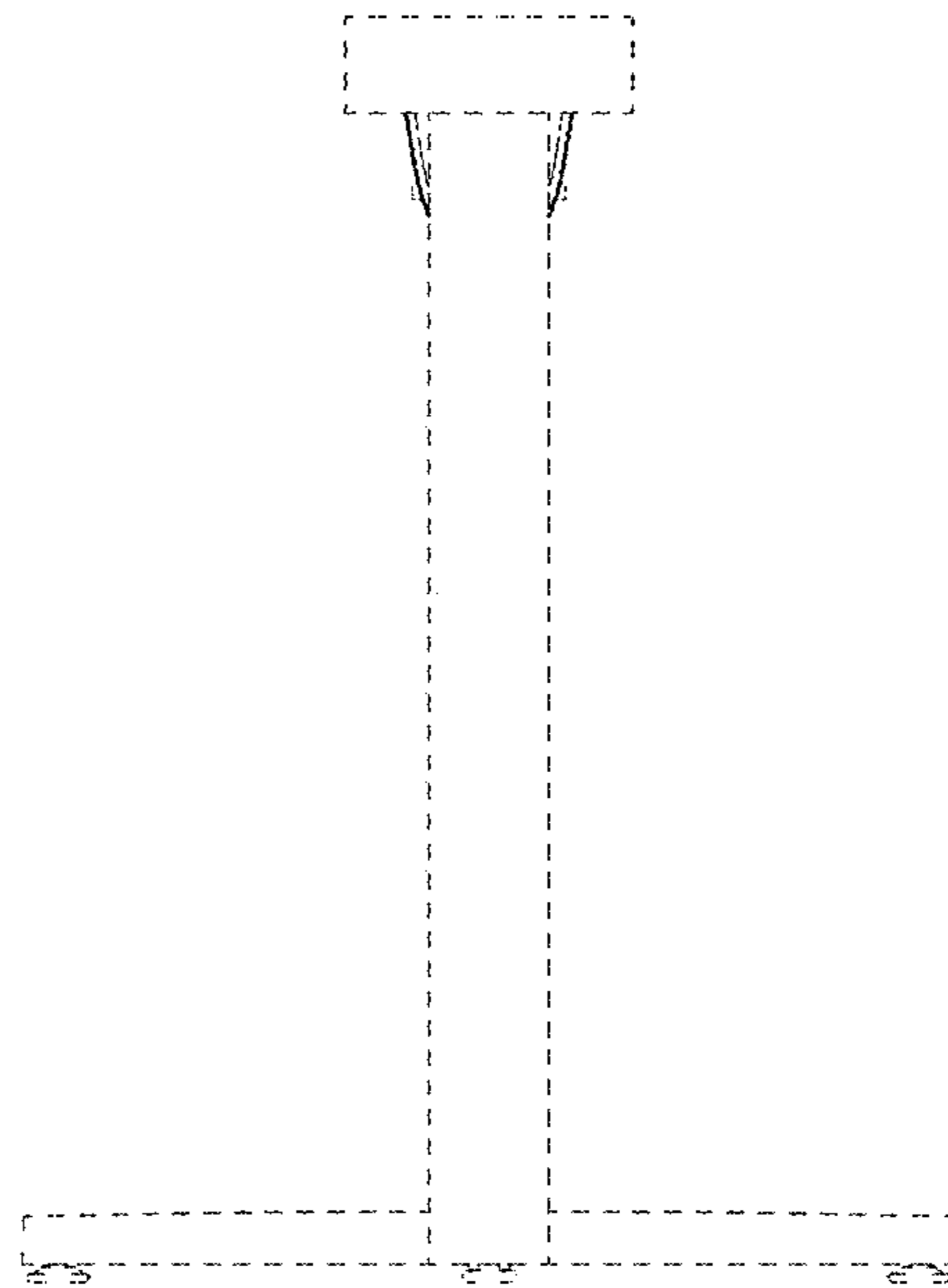
**FIG. 2**



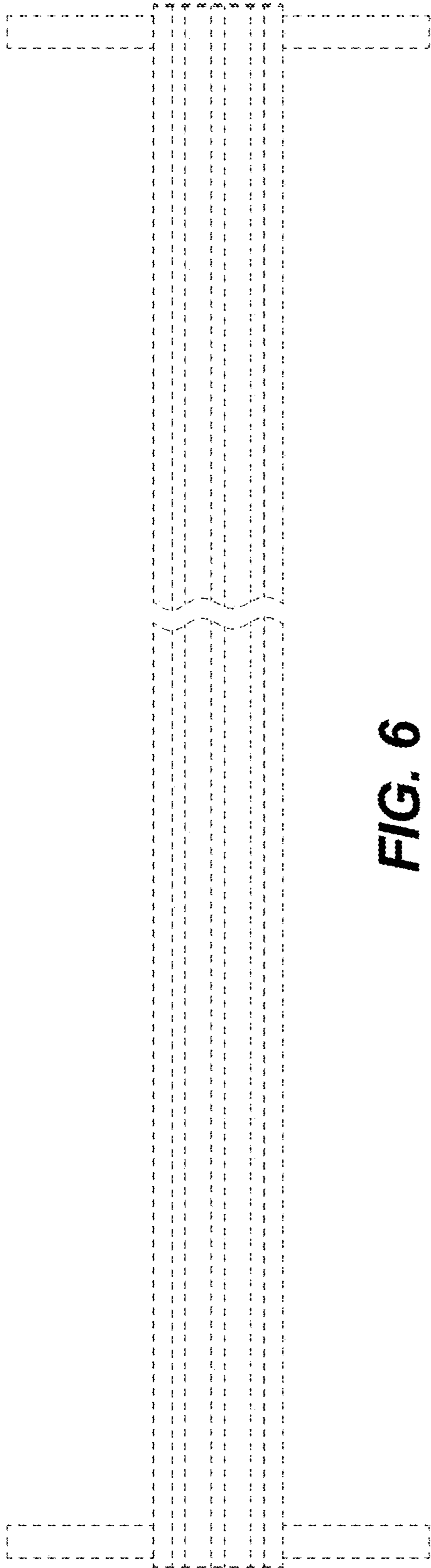
**FIG. 3**



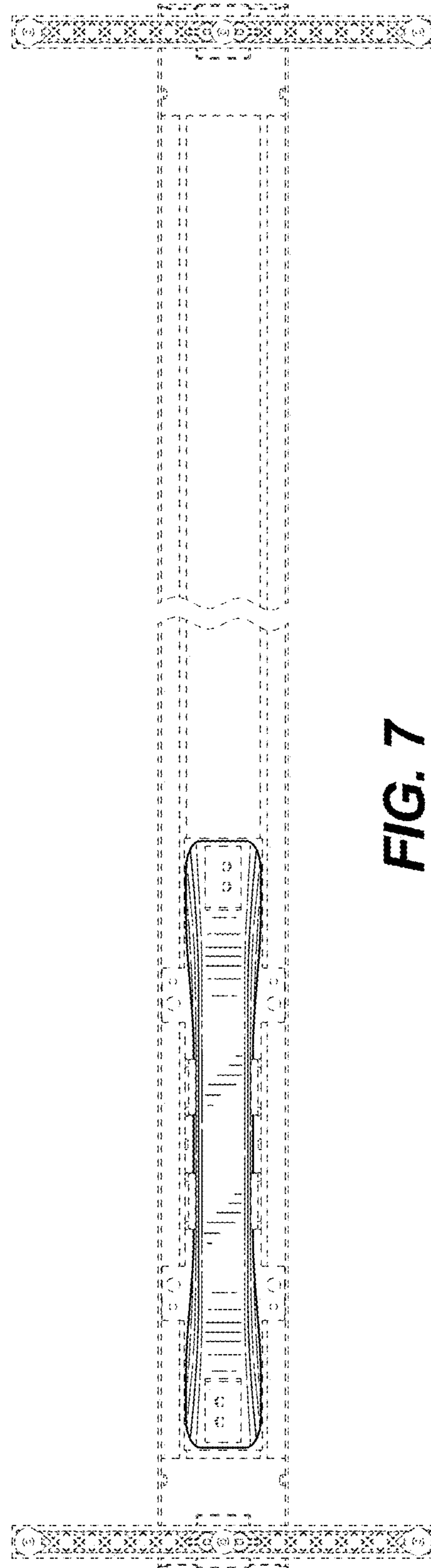
**FIG. 4**



**FIG. 5**



**FIG. 6**



**FIG. 7**