

US00D897291S

(12) **United States Design Patent** (10) **Patent No.:** **US D897,291 S**
Akana et al. (45) **Date of Patent:** **** Sep. 29, 2020**

(54) **CASE**

(71) Applicant: **Apple Inc.**, Cupertino, CA (US)

(72) Inventors: **Jody Akana**, San Francisco, CA (US); **Molly Anderson**, San Francisco, CA (US); **Bartley K. Andre**, Palo Alto, CA (US); **Shota Aoyagi**, San Francisco, CA (US); **Anthony Michael Ashcroft**, San Francisco, CA (US); **Marine C. Bataille**, San Francisco, CA (US); **Jeremy Bataillou**, San Francisco, CA (US); **Daniel J. Coster**, San Francisco, CA (US); **Daniele De Iuliis**, San Francisco, CA (US); **Markus Diebel**, San Francisco, CA (US); **M. Evans Hankey**, San Francisco, CA (US); **Julian Hoenig**, San Francisco, CA (US); **Richard P. Howarth**, San Francisco, CA (US); **Jonathan P. Ive**, San Francisco, CA (US); **Julian Jaede**, San Francisco, CA (US); **Duncan Robert Kerr**, San Francisco, CA (US); **Peter Russell-Clarke**, San Francisco, CA (US); **Benjamin Andrew Shaffer**, San Jose, CA (US); **Mikael Silvano**, San Francisco, CA (US); **Christopher J. Stringer**, Woodside, CA (US); **Joe Sung-Ho Tan**, San Francisco, CA (US); **Clement Tissandier**, San Francisco, CA (US); **Eugene Antony Whang**, San Francisco, CA (US); **Rico Zörkendörfer**, San Francisco, CA (US)

(73) Assignee: **Apple Inc.**, Cupertino, CA (US)

(**) Term: **15 Years**

(21) Appl. No.: **29/726,068**

(22) Filed: **Feb. 28, 2020**

Related U.S. Application Data

(63) Continuation of application No. 29/692,476, filed on May 24, 2019, now Pat. No. Des. 878,045, which is (Continued)

(51) **LOC (12) Cl.** **13-03**

(52) **U.S. Cl.**

USPC **D13/120**

(58) **Field of Classification Search**

USPC **D3/273, 274, 294, 295; D13/108, 120, D13/121**

(Continued)

(56) **References Cited**

U.S. PATENT DOCUMENTS

228,598 A 6/1880 Buckley
3,246,815 A 4/1966 Philip et al.

(Continued)

OTHER PUBLICATIONS

iFixit, "AirPods Teardown", Published Dec. 20, 2016. (<https://www.ifixit.com/Teardown/AirPods+Teardown/75578>) (Year: 2016).*

(Continued)

Primary Examiner — April Rivas

(74) *Attorney, Agent, or Firm* — Sterne, Kessler, Goldstein & Fox P.L.L.C.

(57) **CLAIM**

The ornamental design for a case, as shown and described.

DESCRIPTION

FIG. 1 is a top front perspective view of a case showing the claimed design;

FIG. 2 is a front view thereof;

FIG. 3 is a rear view thereof;

FIG. 4 is a left side view thereof;

FIG. 5 is a right side view thereof;

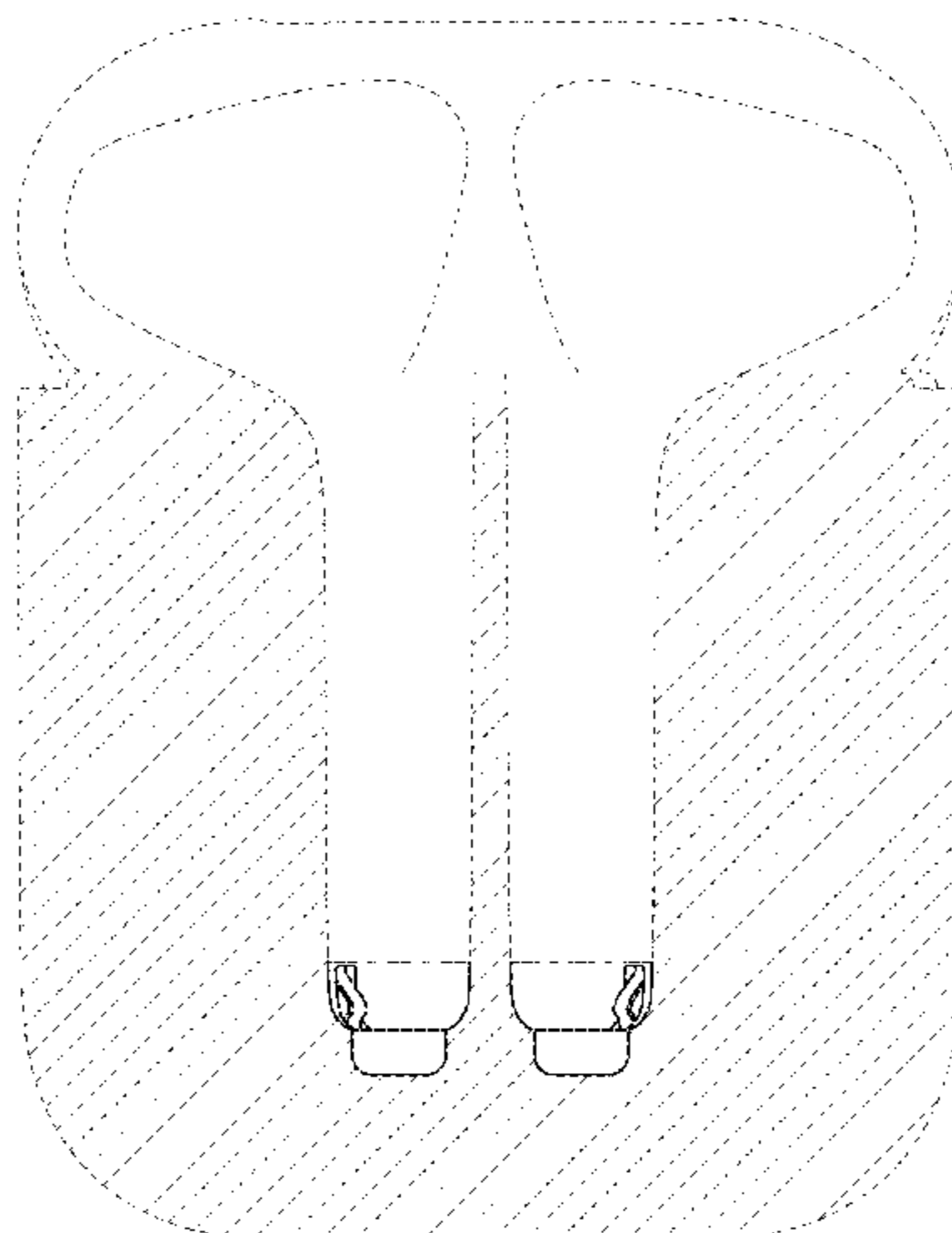
FIG. 6 is a top view thereof;

FIG. 7 is a bottom view thereof;

FIG. 8 is a cross-sectional view thereof taken along line 8-8 in FIG. 6; and,

FIG. 9 is a top front perspective view thereof in an environment in which it may be used.

(Continued)



The dashed broken lines in the figures show portions of the case and environment that form no part of the claimed design.

The dot-dash broken lines in the figures show boundaries that form no part of the claimed design.

The cross-hatching in FIG. 8 forms no part of the claimed design.

1 Claim, 9 Drawing Sheets

Related U.S. Application Data

a continuation of application No. 29/594,338, filed on Feb. 17, 2017, now Pat. No. Des. 849,401, which is a continuation of application No. 29/576,707, filed on Sep. 6, 2016, now Pat. No. Des. 806,388.

(58) **Field of Classification Search**
CPC H04R 1/1025
See application file for complete search history.

(56) **References Cited**

U.S. PATENT DOCUMENTS

D281,281 S	11/1985	Matalon	
D310,480 S	9/1990	Geiger	
D322,752 S	12/1991	Zintzmeyer	
D339,215 S	9/1993	Spencer, Jr.	
D342,676 S	12/1993	Wuttke	
D356,828 S	3/1995	Harris et al.	
D364,708 S	11/1995	Tarrson et al.	
D367,608 S	3/1996	Stranders	
D380,355 S	7/1997	Husted	
D399,604 S	10/1998	Wolff	
D419,133 S *	1/2000	Yoshida	D13/120
D422,139 S	4/2000	Meikle	
D436,434 S	1/2001	Conway	
D463,907 S	10/2002	Lemoine	
D464,941 S	10/2002	Latto et al.	
D467,799 S	12/2002	Persson	
D475,282 S	6/2003	Snaith et al.	
D478,546 S	8/2003	Andre et al.	
D479,823 S	9/2003	Andre et al.	
D482,618 S	11/2003	Cummings	
D493,257 S	7/2004	McCorkindale	
D506,744 S	6/2005	Andre et al.	
D510,029 S	9/2005	Marcot	
D528,012 S	9/2006	Snyder	
D532,695 S	11/2006	Grant	
D541,173 S	4/2007	Karussi et al.	
D542,664 S	5/2007	Mayers	
D559,180 S *	1/2008	Lai	D13/120
D576,037 S	9/2008	Beam et al.	
D616,738 S	6/2010	Andre et al.	
D637,647 S	5/2011	Allison et al.	
D651,903 S	1/2012	Teller	
D672,642 S	12/2012	Supranowicz	
D681,015 S	4/2013	Akana et al.	

D683,902 S	6/2013	Zotalis	
D691,372 S *	10/2013	Chun	D3/294
D691,594 S	10/2013	Akana et al.	
D706,643 S	6/2014	Akana et al.	
8,739,967 B1	6/2014	George	
D708,784 S	7/2014	Kim	
D720,096 S	12/2014	McDougall	
D740,653 S	10/2015	Akana et al.	
9,532,128 B2 *	12/2016	Linden	H04R 1/1025
D775,960 S	1/2017	Erdwiens	
D806,388 S	1/2018	Akana et al.	
D873,217 S *	1/2020	Zhang	D13/108
10,659,864 B2 *	5/2020	Lo	H04R 1/1025
2017/0094399 A1	3/2017	Chandramohan et al.	
2017/0245038 A1	8/2017	Chawan et al.	

OTHER PUBLICATIONS

“Samsung’s stylish mobile accessories are launching worldwide” (via engadget), Oct. 31, 2016, (online), (site visited Oct. 13, 2017). Available from internet, (URL: <https://www.engadget.com/2016/10/31/samsung-stylish-mobile-accessories/#/>) (Year: 2016).

Apple AirPods wireless headphones review, available Sep. 13, 2016, (online), (site visited Oct. 12, 2017). Video available from internet, (URL: https://www.youtube.com/watch?v=wQ5Gj0UB_R8) (Year: 2016).

Johnson & Johnson Reach Dental Floss, available Aug. 15, 2008, (online), (site visited Oct. 12, 2017). Available from internet, (URL: <https://www.amazon.co.uk/Johnsons-Johnson-Reach-Dental-Floss/dp/B001ECQSH-W>) (Year: 2008).

Oral-B Glide Pro-Health Deep Clean Floss, available 2017, (online), (site visited Oct. 12, 2017). Available from internet, (URL: <http://www.dentalsreview.com/best-dental-floss-review/>) (Year: 2017).

“Spheres, equations and terminology” (written by Paul Bourke), Apr. 1992, (online), (site visited Oct. 13, 2017). Available from internet, (URL: <http://paulbourke.net/geometry/circlesphere/>) (Year: 1992).

“Review: Hush smart earplugs put a waterfall in your ear”, available May 11, 2016, (online), (site visited Oct. 12, 2017). Available from internet, (URL: <https://newatlas.com/hush-smart-earplug-review/43272/>) (Year: 2016).

Round corners for Openscad—Tutorial (written by William A Adams), Jun. 15, 2011, (online), (site visited Oct. 13, 2017). Available from internet, (URL: <https://www.thingiverse.com/thing:9347>) (Year: 2011).

Tom’s of Maine Natural Waxed Antiplaque Flat Floss, available 2017, (online), (site visited Oct. 12, 2017). Available from internet, (URL: <http://www.dentalsreview.com/best-dental-floss-review/>) (Year: 2017).

Veho Pebble Explorer Portable Power Bank, Mar. 17, 2014, (online), (site visited Oct. 13, 2017). Available from internet, (URL: https://www.amazon.com/gp/product/B00FS6YQWY/ref=as_li_tl?tag=travelcom0-a-20&ie=UTF8&camp=1789&creative=390957&creativeASIN=B00FS6YQWY&linkCode=as-2&linkId=RXUJDO2BX2CNJTUK) (Year: 2014).

* cited by examiner

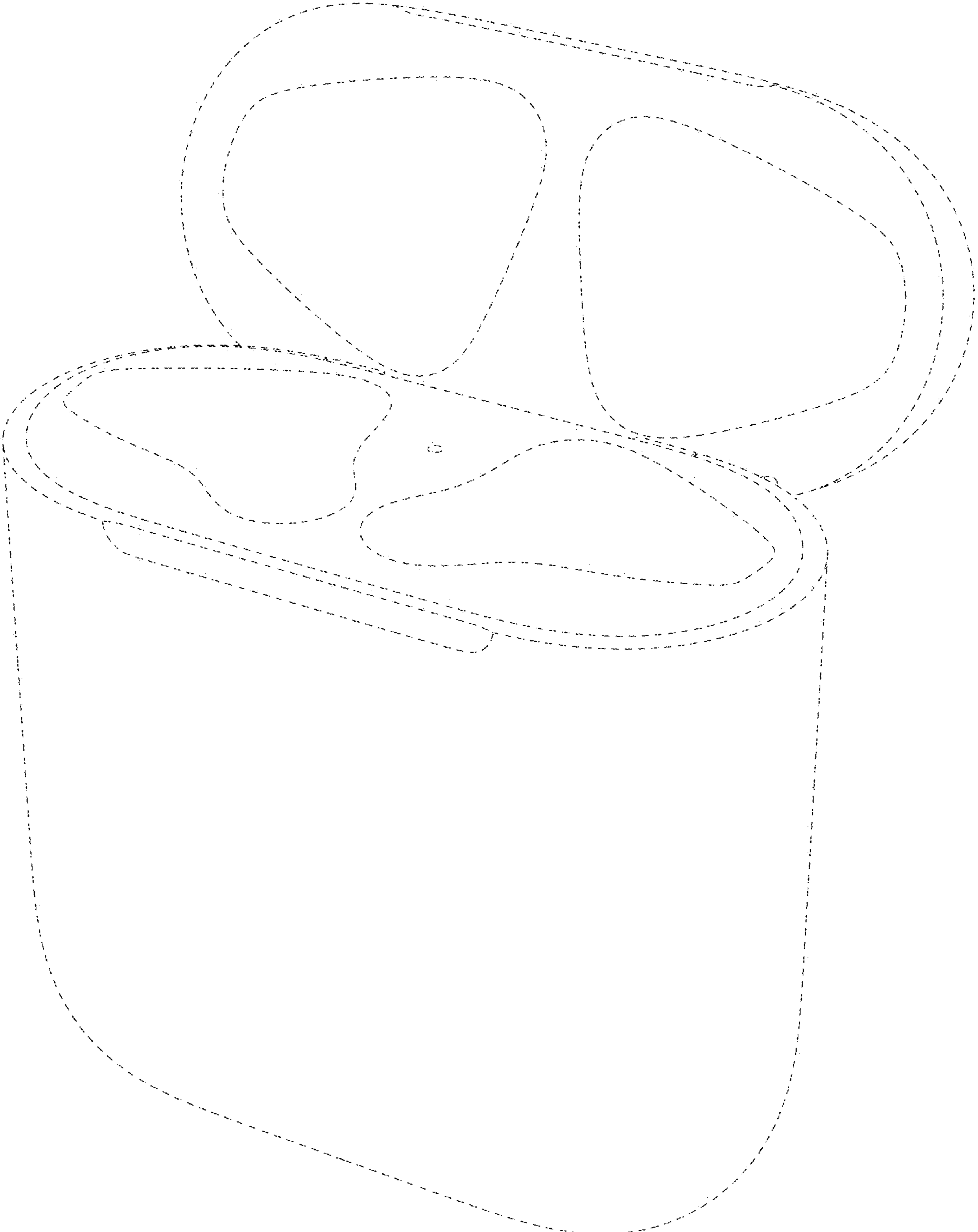


FIG. 1

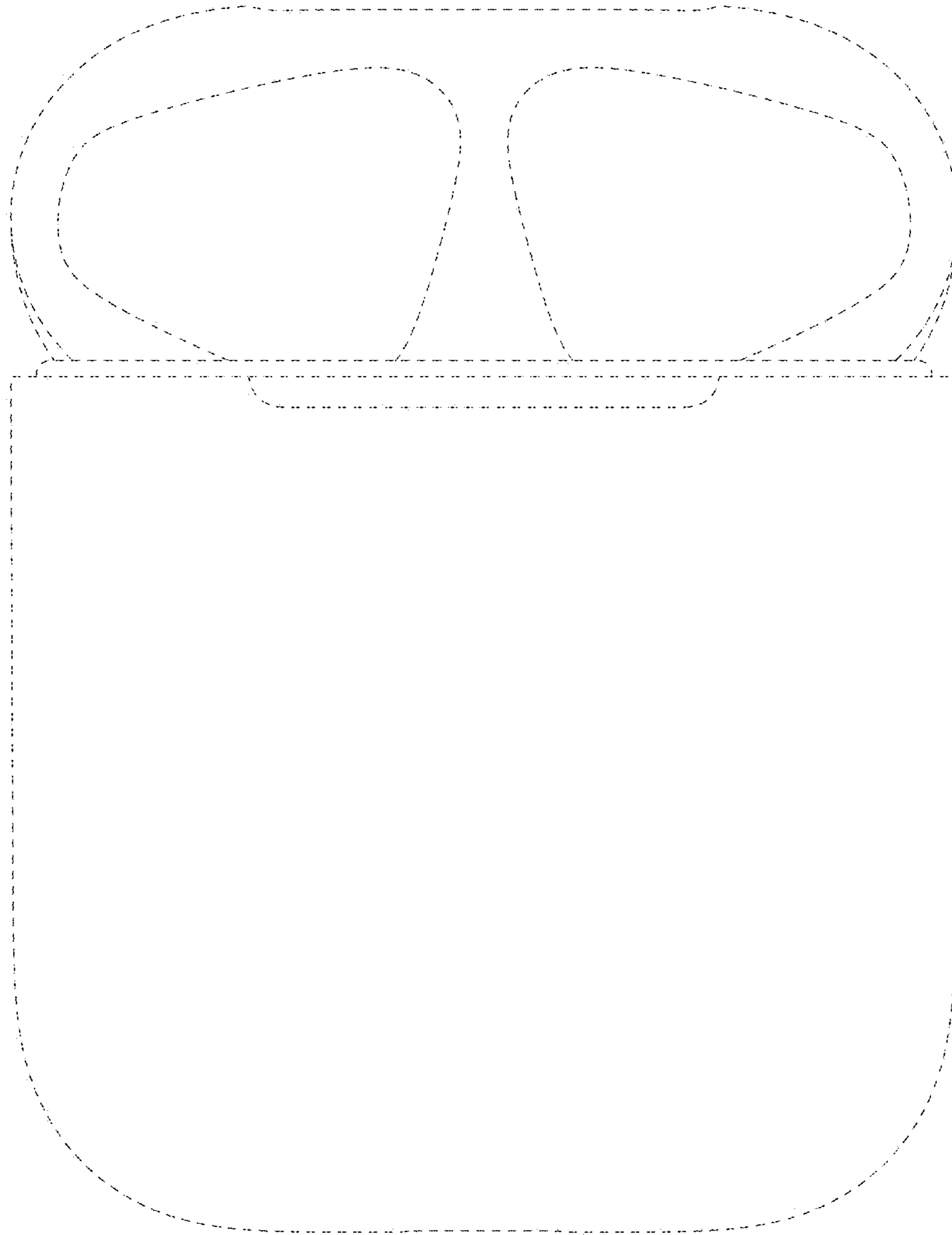


FIG. 2

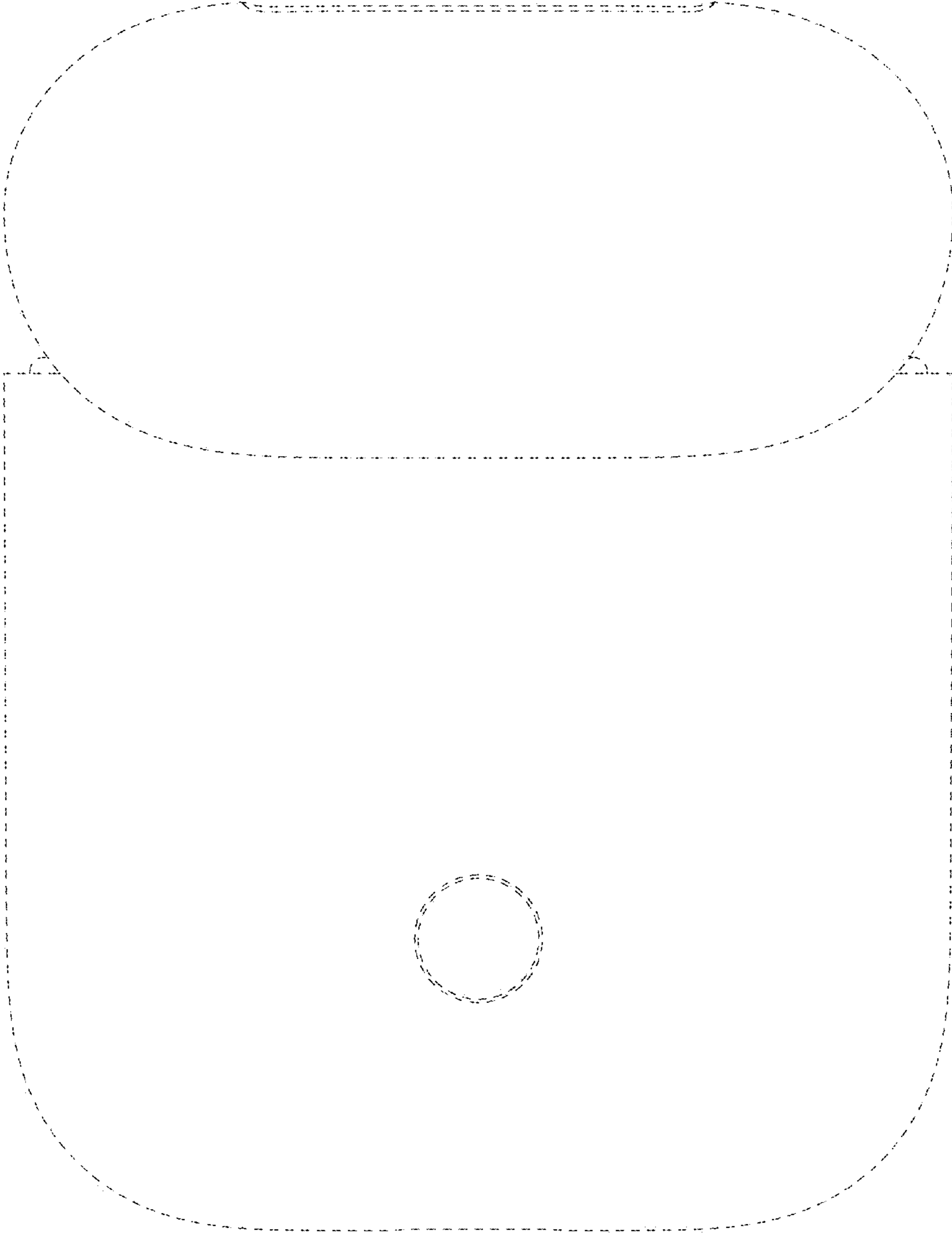


FIG. 3

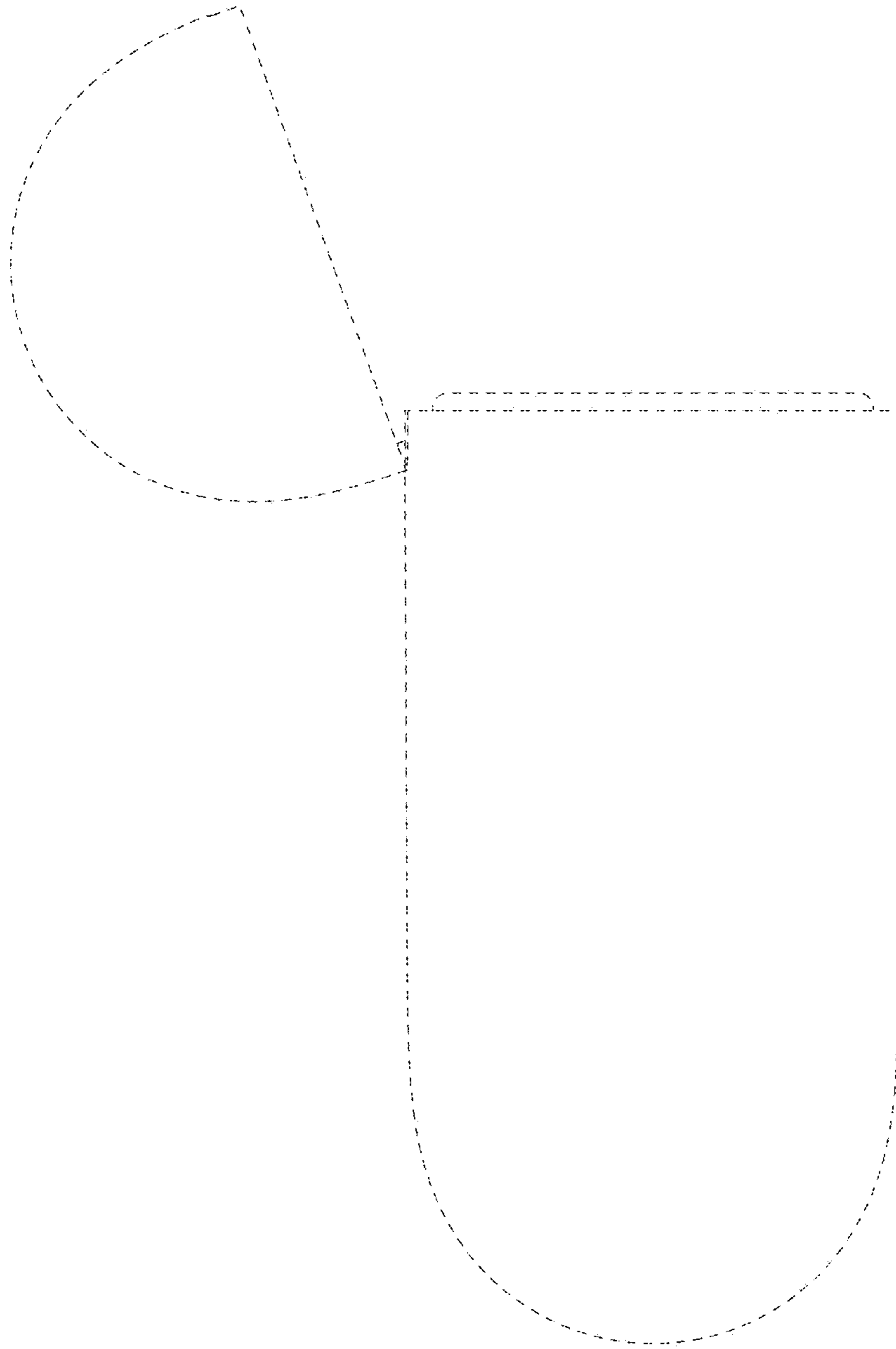


FIG. 4

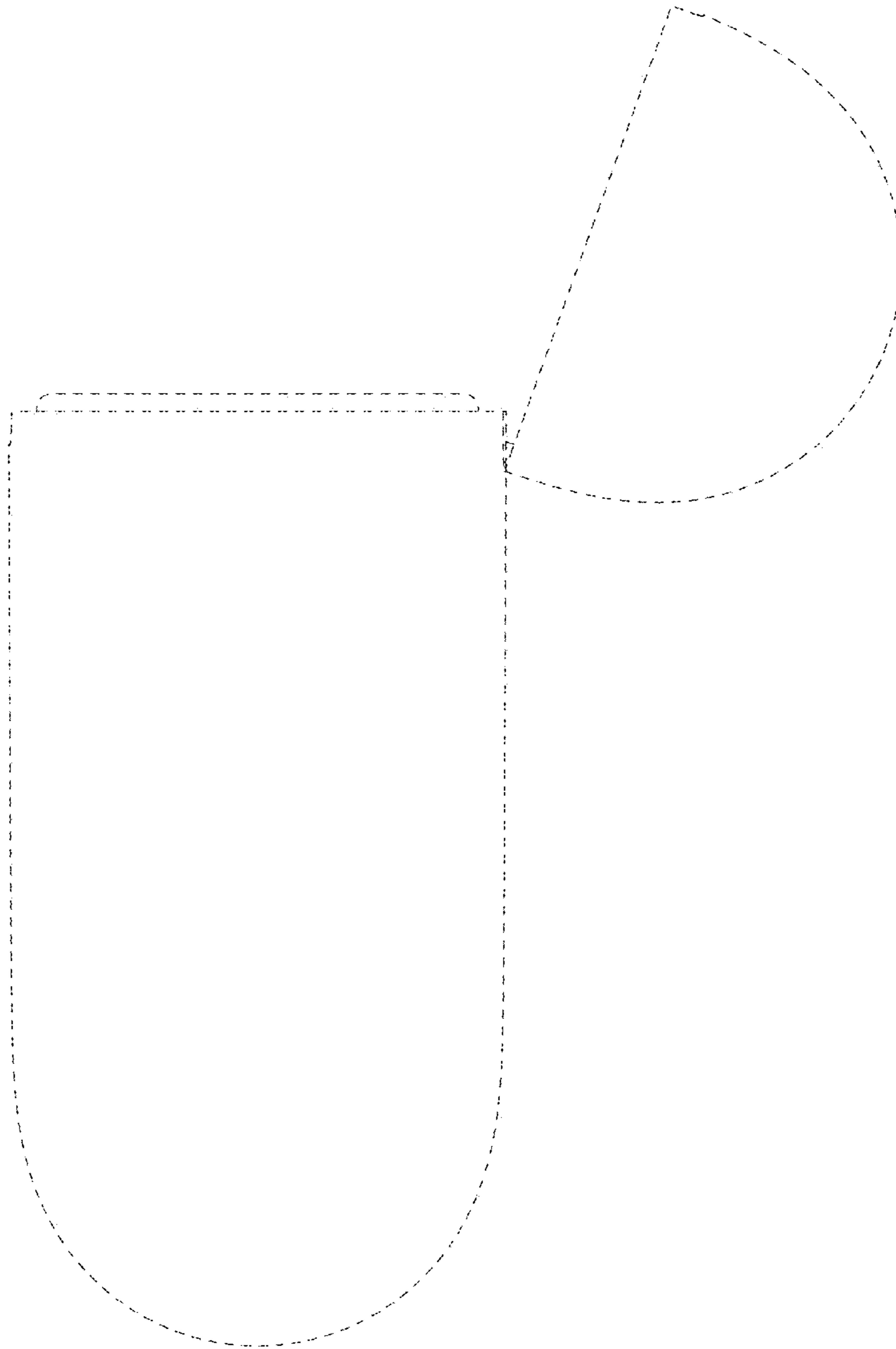


FIG. 5

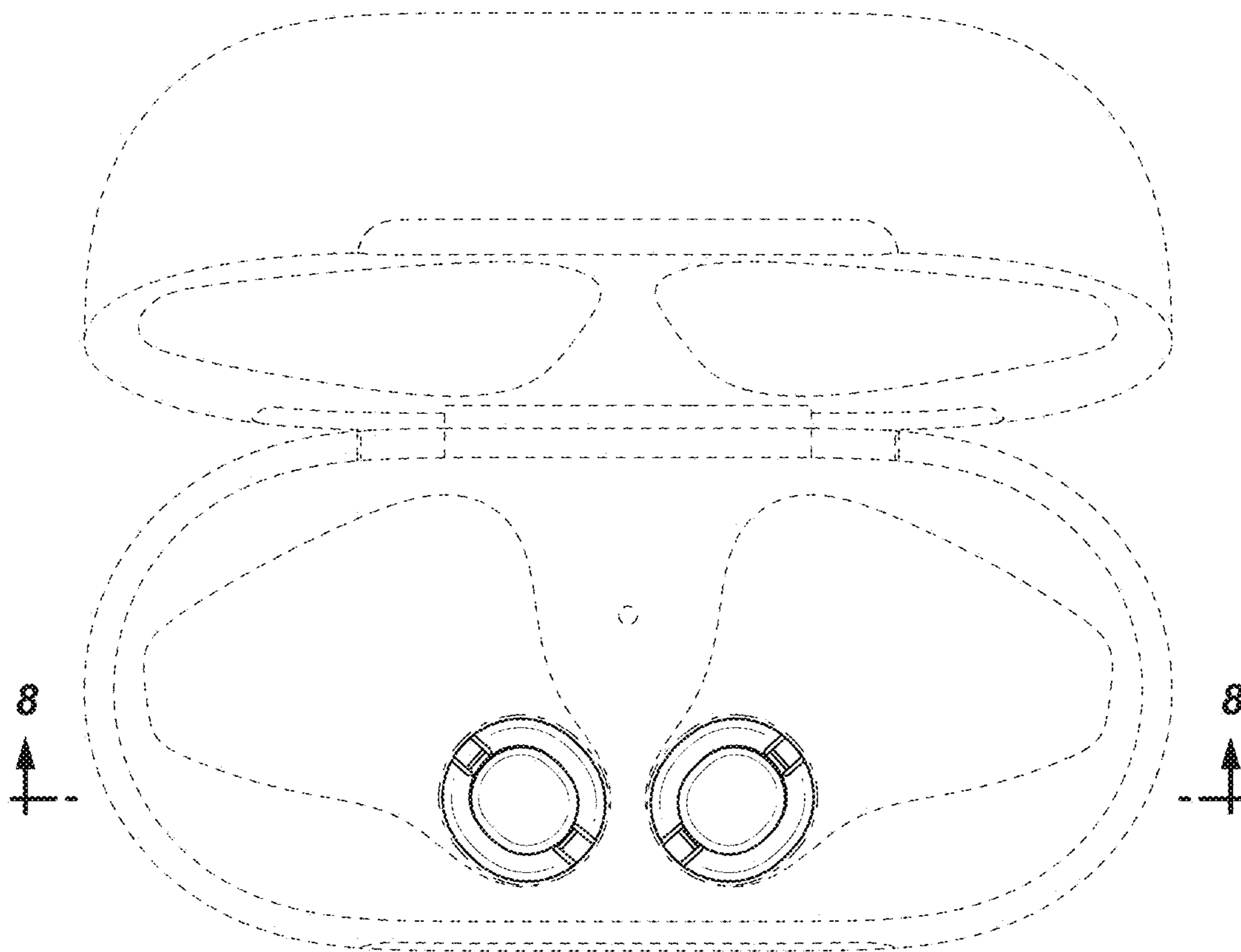


FIG. 6

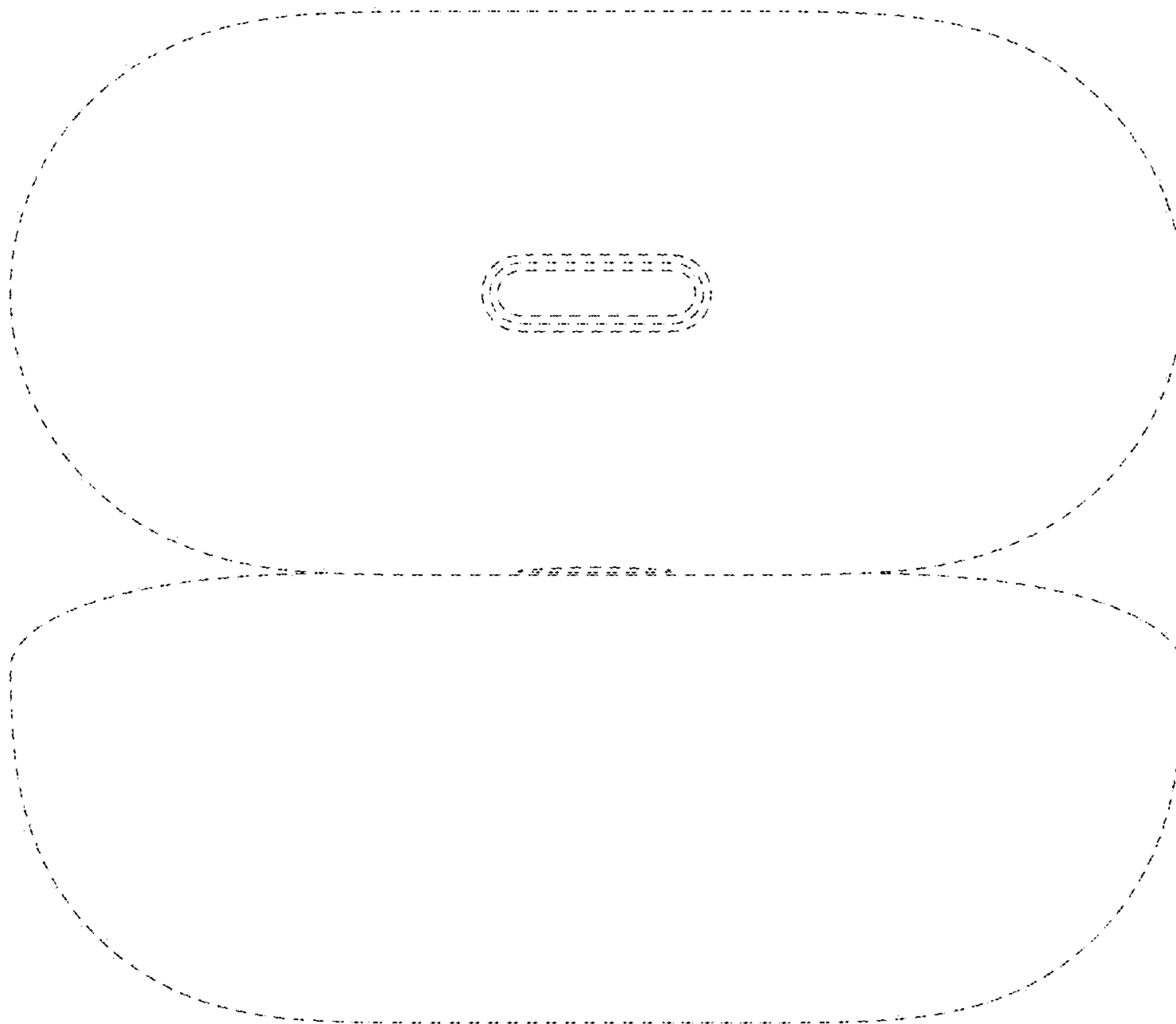


FIG. 7

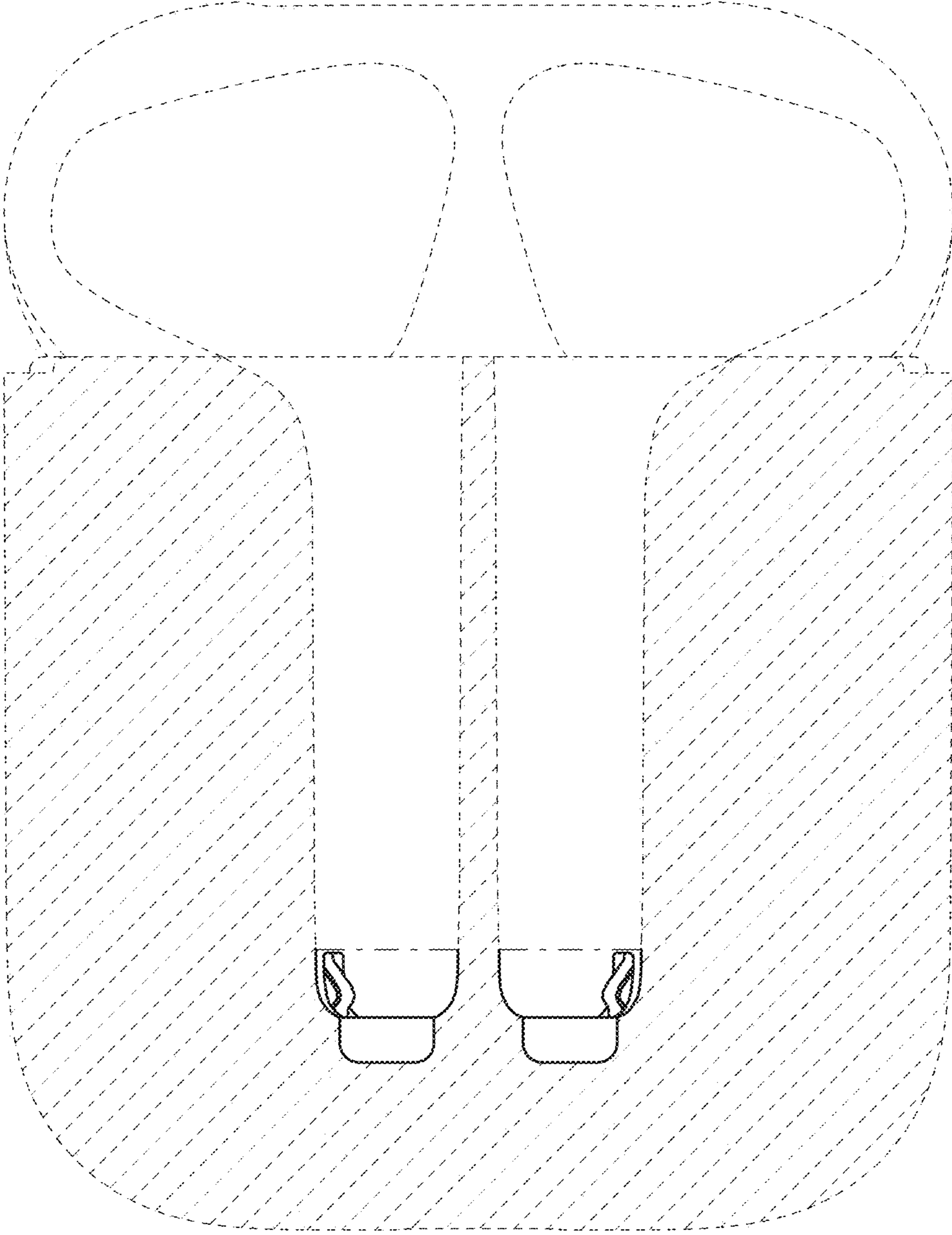


FIG. 8

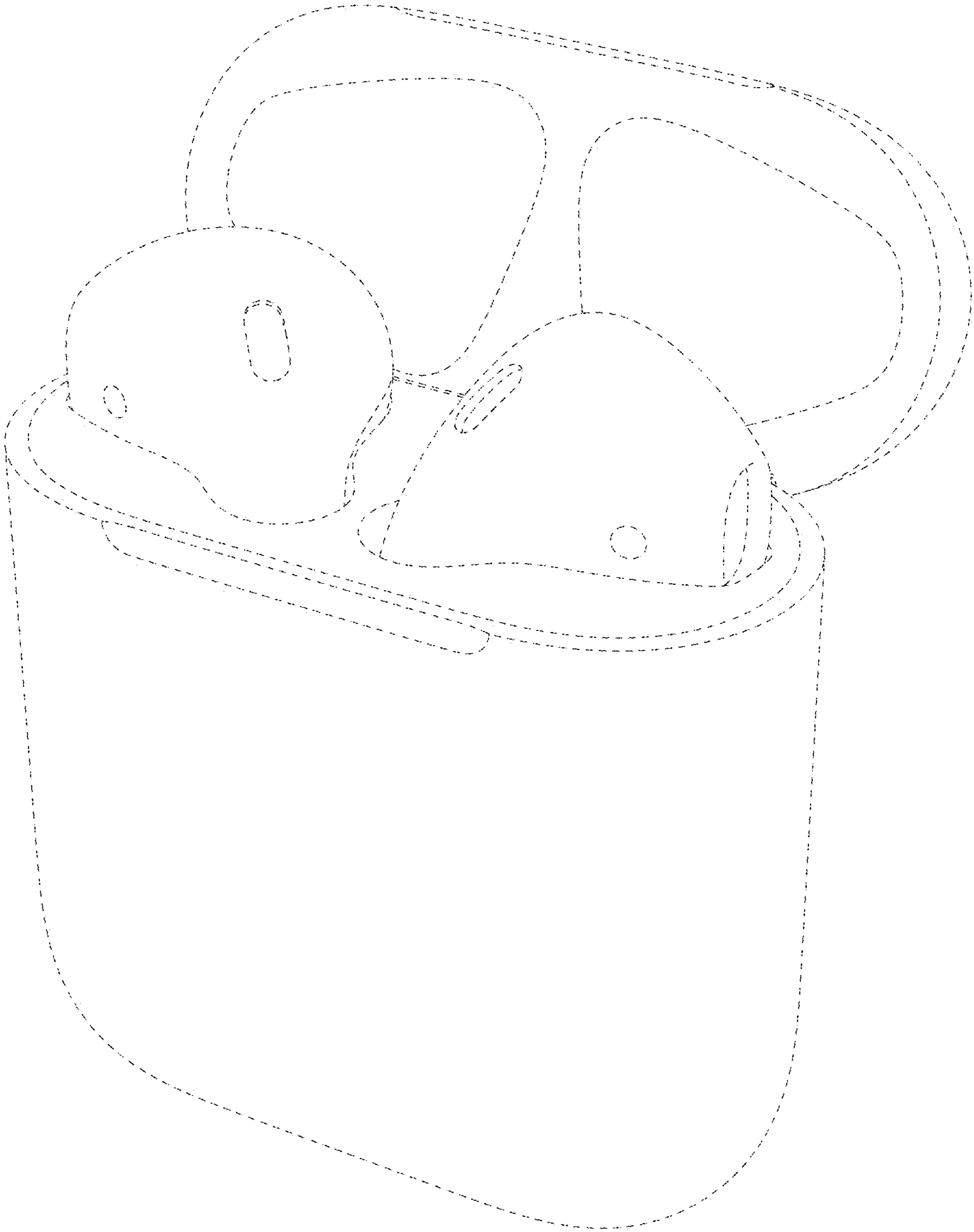


FIG. 9