



US00D897290S

(12) **United States Design Patent** (10) **Patent No.:** **US D897,290 S**
Halling (45) **Date of Patent:** **** Sep. 29, 2020**

(54) **WIND TURBINE BLADE TIP**

(71) Applicant: **Vestas Wind Systems A/S**, Aarhus N. (DK)

(72) Inventor: **Kaj Morbech Halling**, Herning (DK)

(73) Assignee: **Vestas Wind Systems A/S**, Aarhus N. (DK)

(**) Term: **15 Years**

(21) Appl. No.: **29/678,321**

(22) Filed: **Jan. 28, 2019**

(30) **Foreign Application Priority Data**

Jan. 16, 2019 (EM) 006040598

(51) **LOC (12) Cl.** **13-01**

(52) **U.S. Cl.**
USPC **D13/115**

(58) **Field of Classification Search**
USPC D13/115–118; D7/387, 393–396;
D8/300, 303, 307, 321
CPC F03D 1/00; F03D 1/04; F03D 3/00; F03D
3/06; F03D 7/06; F03D 13/20; F03D
80/00

See application file for complete search history.

(56) **References Cited**

U.S. PATENT DOCUMENTS

D723,678 S *	3/2015	Strecker	D23/413
D732,657 S *	6/2015	Peterson	D23/413
9,765,756 B2 *	9/2017	Hancock	F03D 1/0675
D807,292 S *	1/2018	Suzuki	D13/115
D807,823 S *	1/2018	Suzuki	D13/115
D811,330 S *	2/2018	Suzuki	D13/115
D821,321 S *	6/2018	Kawai	D13/118
D858,421 S *	9/2019	Von Holzhausen	D12/345
10,487,800 B2 *	11/2019	Olesen	G01D 5/34
10,669,996 B2 *	6/2020	Whitehouse	H01B 13/0036

(Continued)

OTHER PUBLICATIONS

Lightening conducting tip on Vestus wind turbine blade _REALNEO.us, published on Aug. 30, 2011, retrieved on Jun. 28, 2020, retrieved from the Internet URL: <http://realneo.us/content/lightening-conducting-tip-vestus-wind-turbine-blade>.*

(Continued)

Primary Examiner — Catherine S Posthauer

Assistant Examiner — Alison M Ofstun

(74) *Attorney, Agent, or Firm* — Wood Herron & Evans LLP

(57) **CLAIM**

The ornamental design for a wind turbine blade tip, as shown and described.

DESCRIPTION

FIG. 1 is a perspective view of a wind turbine blade tip, shown assembled in an environment of use with an exemplary wind turbine blade;

FIG. 2 is a perspective view thereof, shown disassembled thereof;

FIG. 3 is a perspective view of a wind turbine blade tip, shown with the exemplary wind turbine blade removed to show aspects of the design not visible when combined;

FIG. 4 is a top plan view thereof;

FIG. 5 is a bottom plan view thereof;

FIG. 6 is a front elevation view thereof;

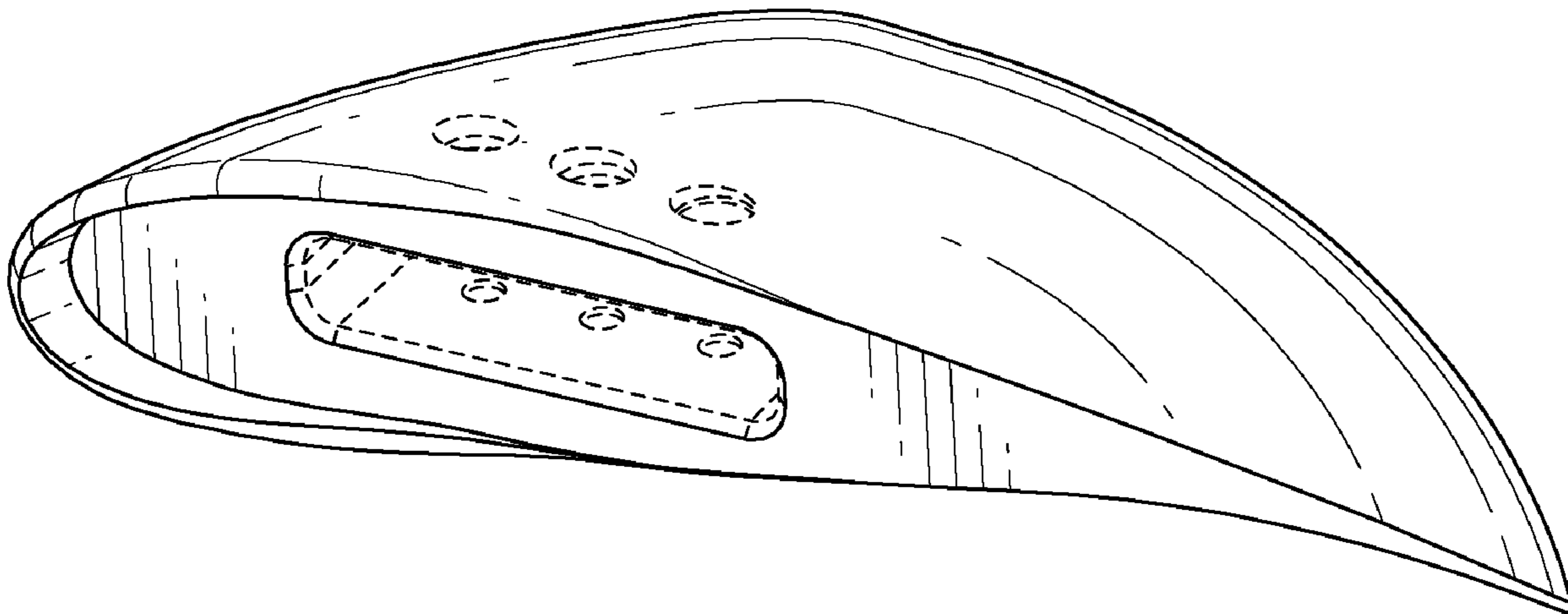
FIG. 7 is a rear elevation view thereof;

FIG. 8 is a right side elevation view thereof; and,

FIG. 9 is a left side elevation view thereof.

In FIGS. 1 and 2, the broken lines represent environmental subject matter that forms no part of the claimed design. The remaining broken lines in the figures represent portions of the article which form no part of the claimed design.

1 Claim, 6 Drawing Sheets



(56)

References Cited

U.S. PATENT DOCUMENTS

2016/0177915 A1* 6/2016 Gonzalez F03D 1/0675
416/223 R
2017/0335830 A1* 11/2017 Ohlerich F03D 1/0675
2019/0195203 A1* 6/2019 Fujioka H02G 13/00
2020/0063718 A1* 2/2020 Ruijter F03D 1/0683

OTHER PUBLICATIONS

Wind-Works_ Was Anderson's Miller First with Pitchable Blade
Tips for Wind Turbines, published on Mar. 14, 2016, retrieved on
Jun. 28, 2020, retrieved from the Internet URL: http://www.wind-works.org/cms/index.php?id=631&tx_ttnews%5Btt_news%5D=4057&cHash=138574d88fe5c371cd8631e66d83a3b1.*

* cited by examiner

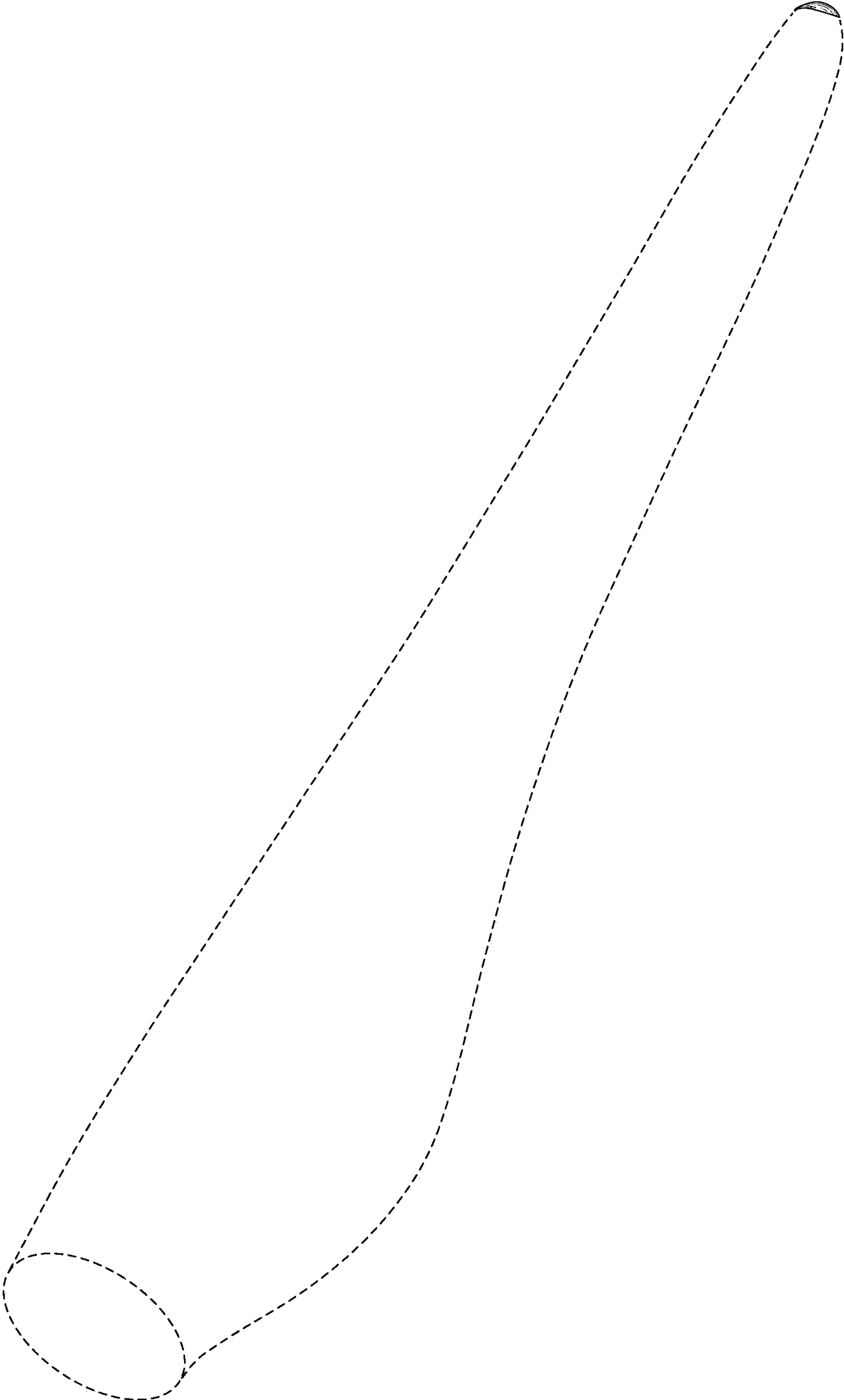


FIG. 1

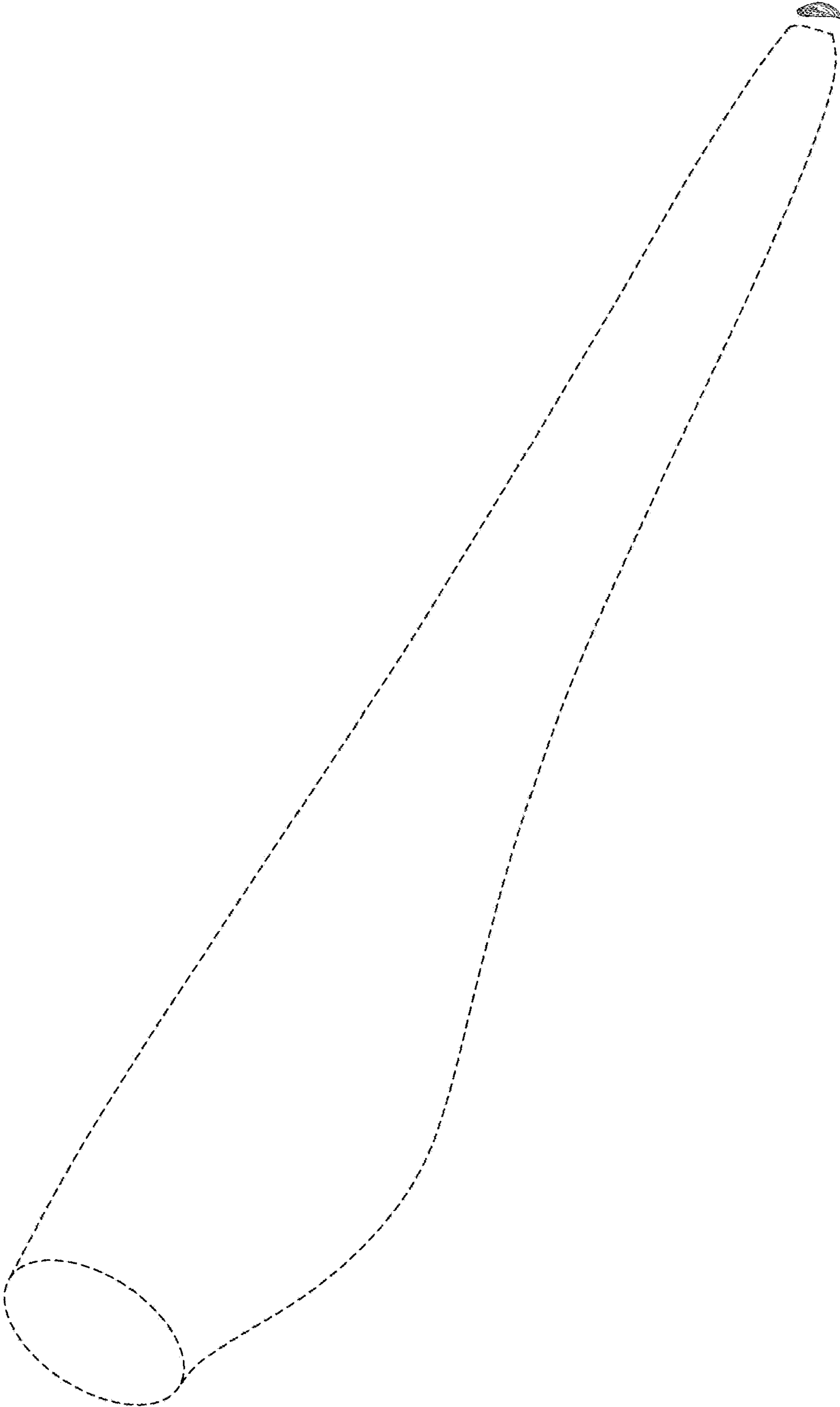


FIG. 2

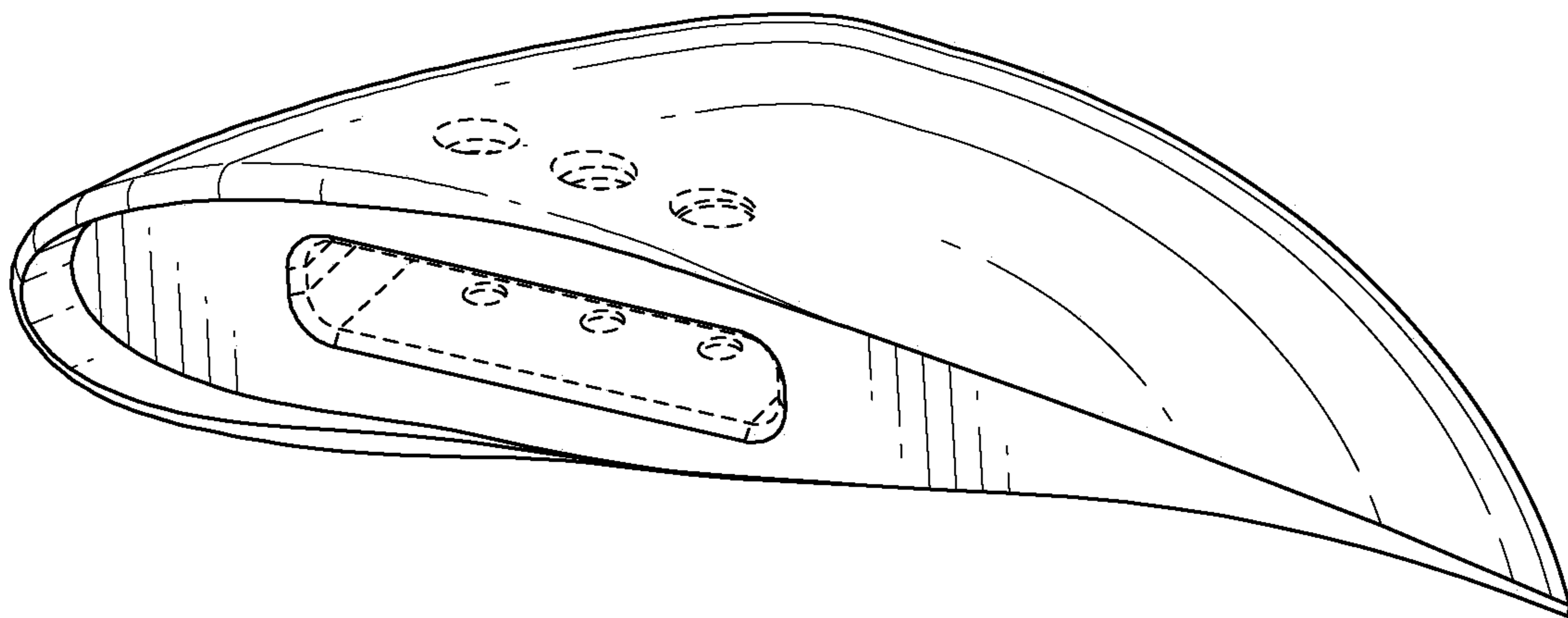


FIG. 3

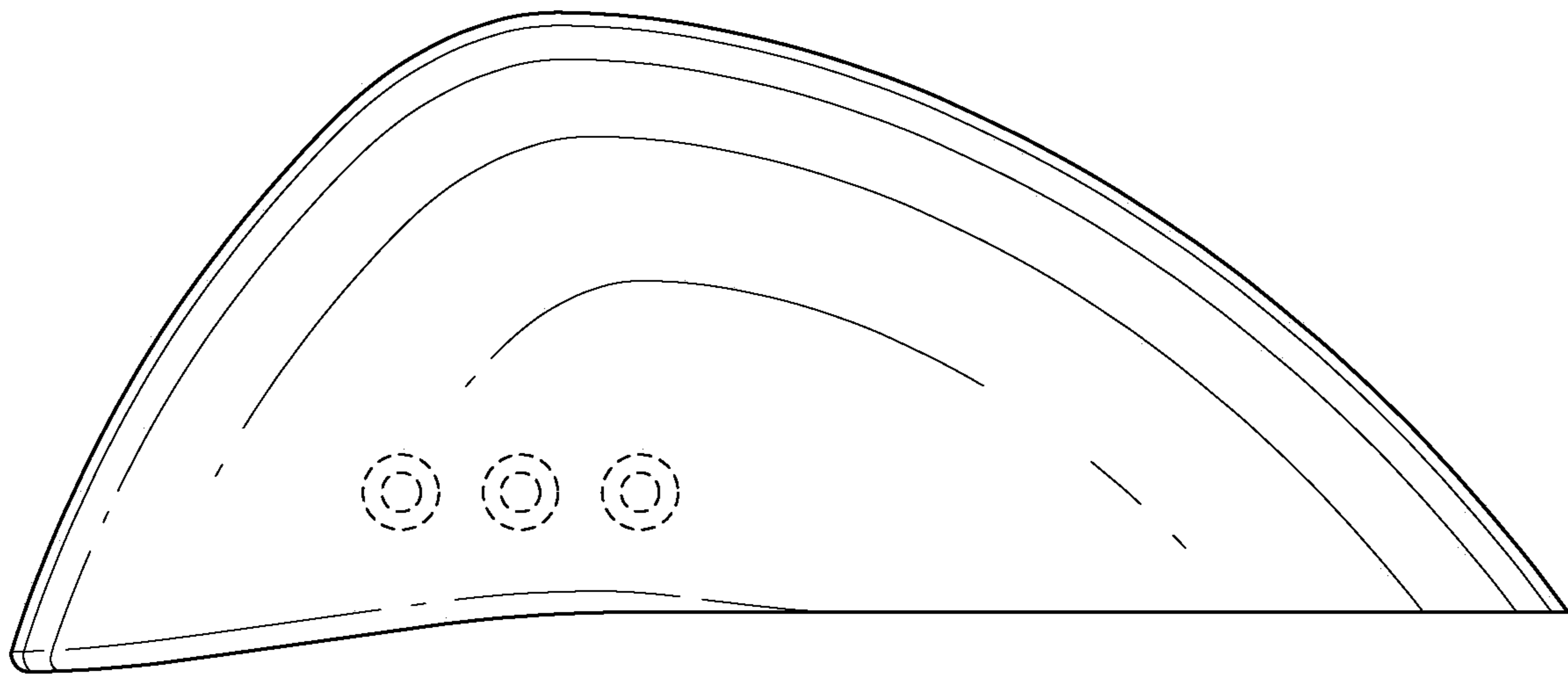


FIG. 4

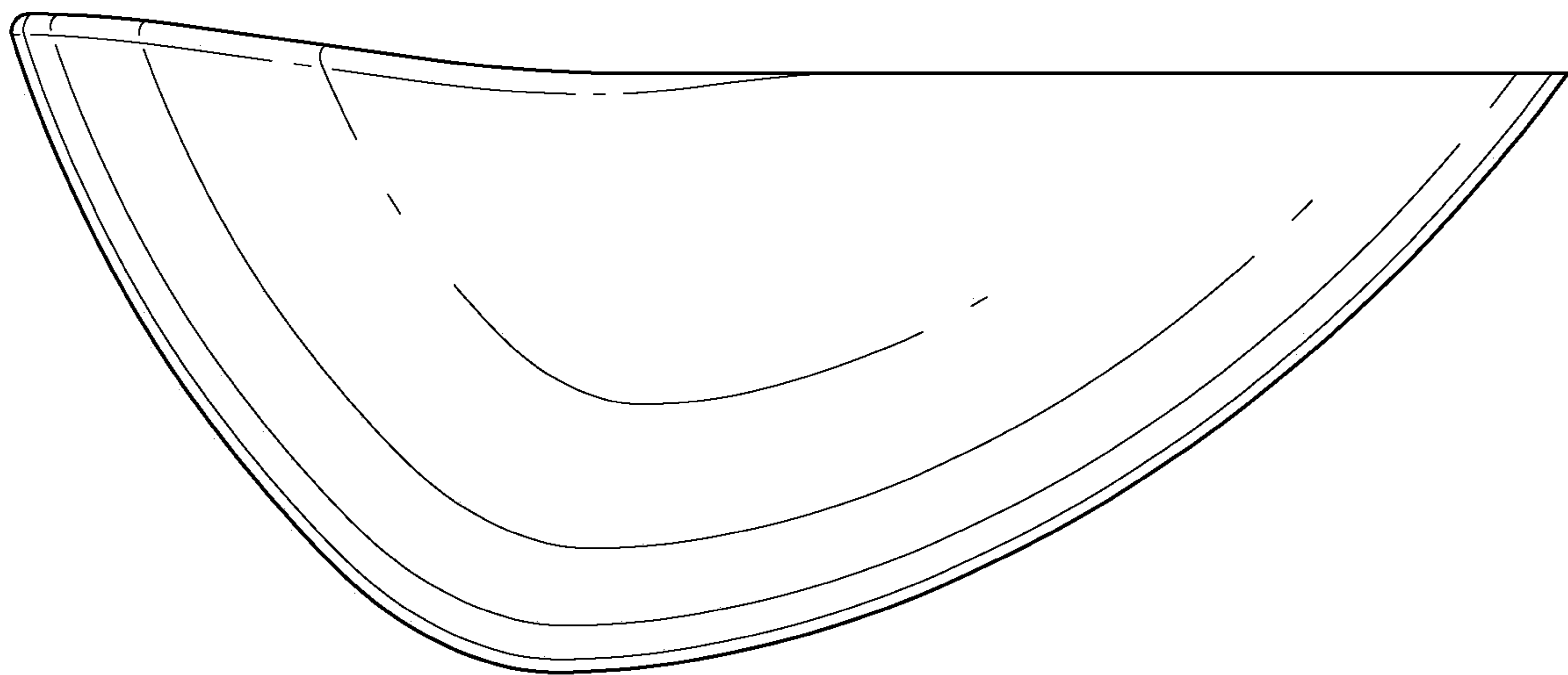


FIG. 5

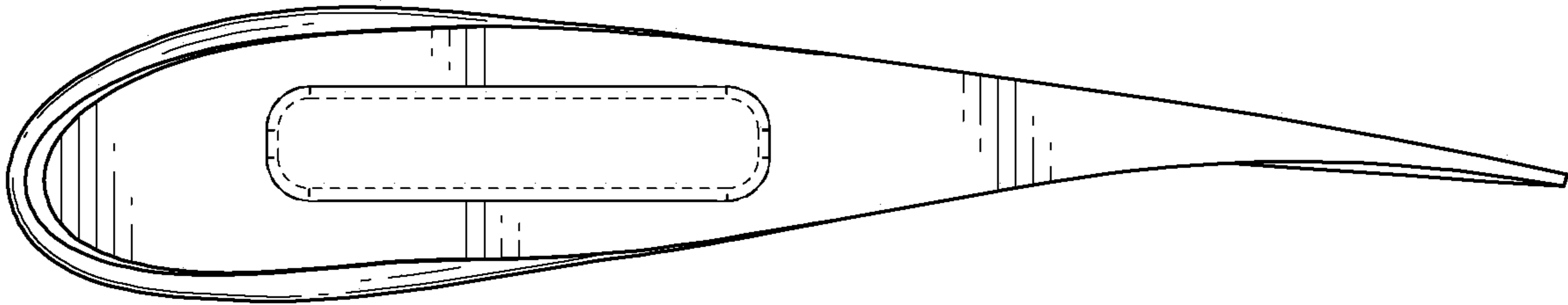


FIG. 6

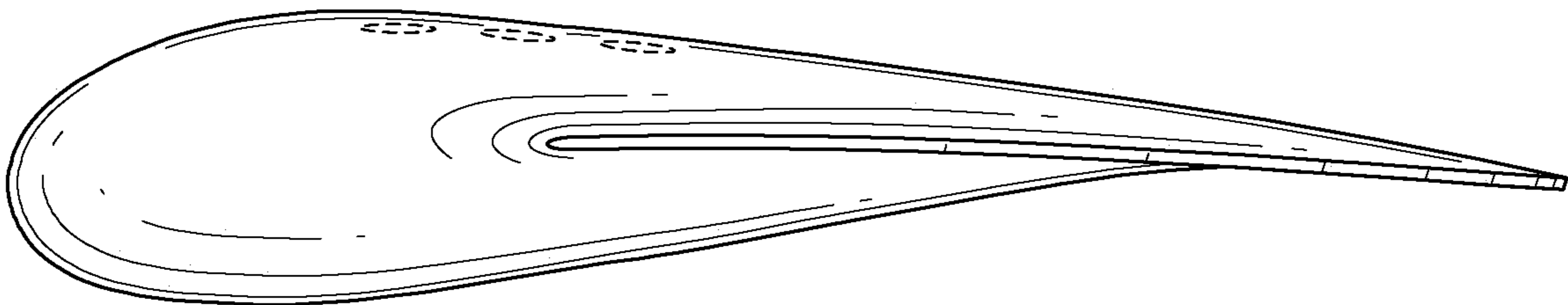


FIG. 7

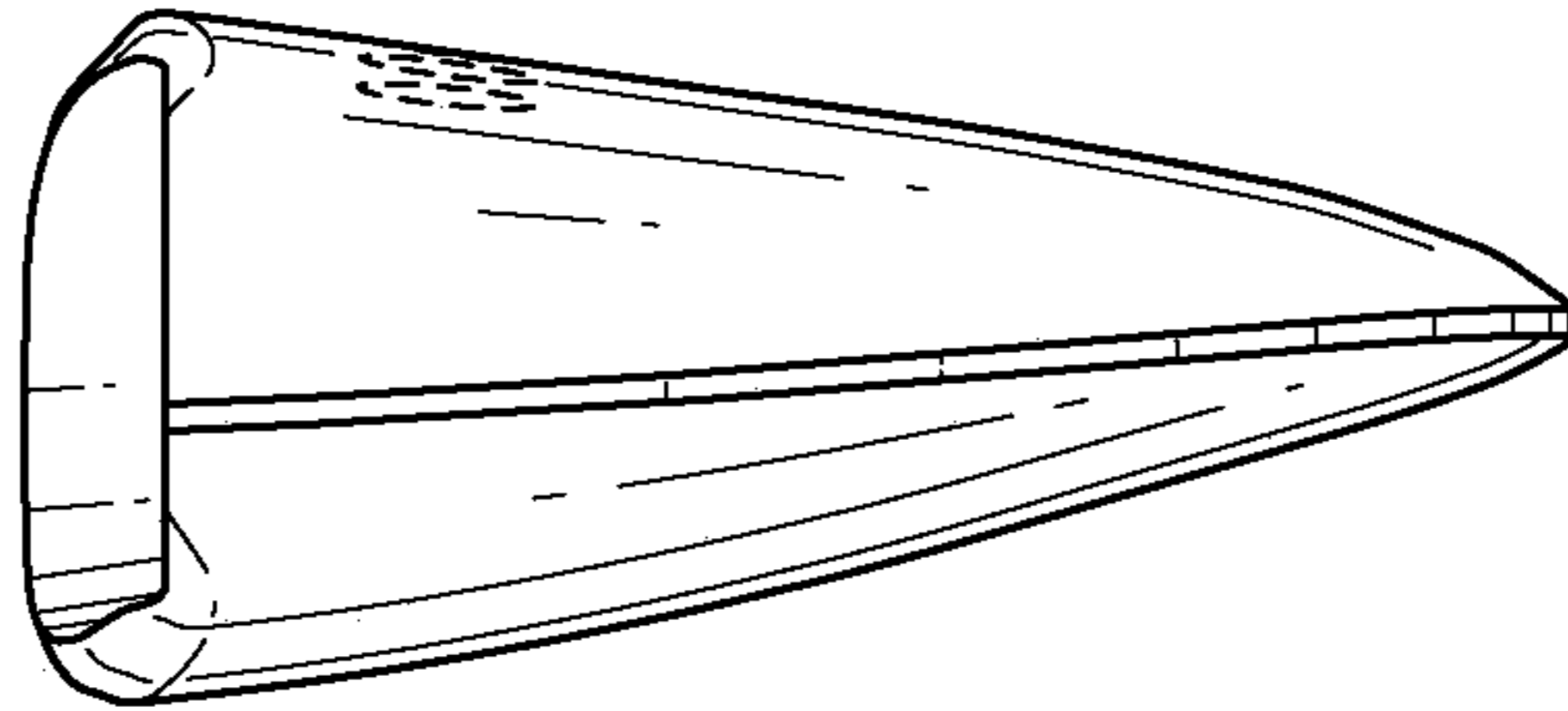


FIG. 8

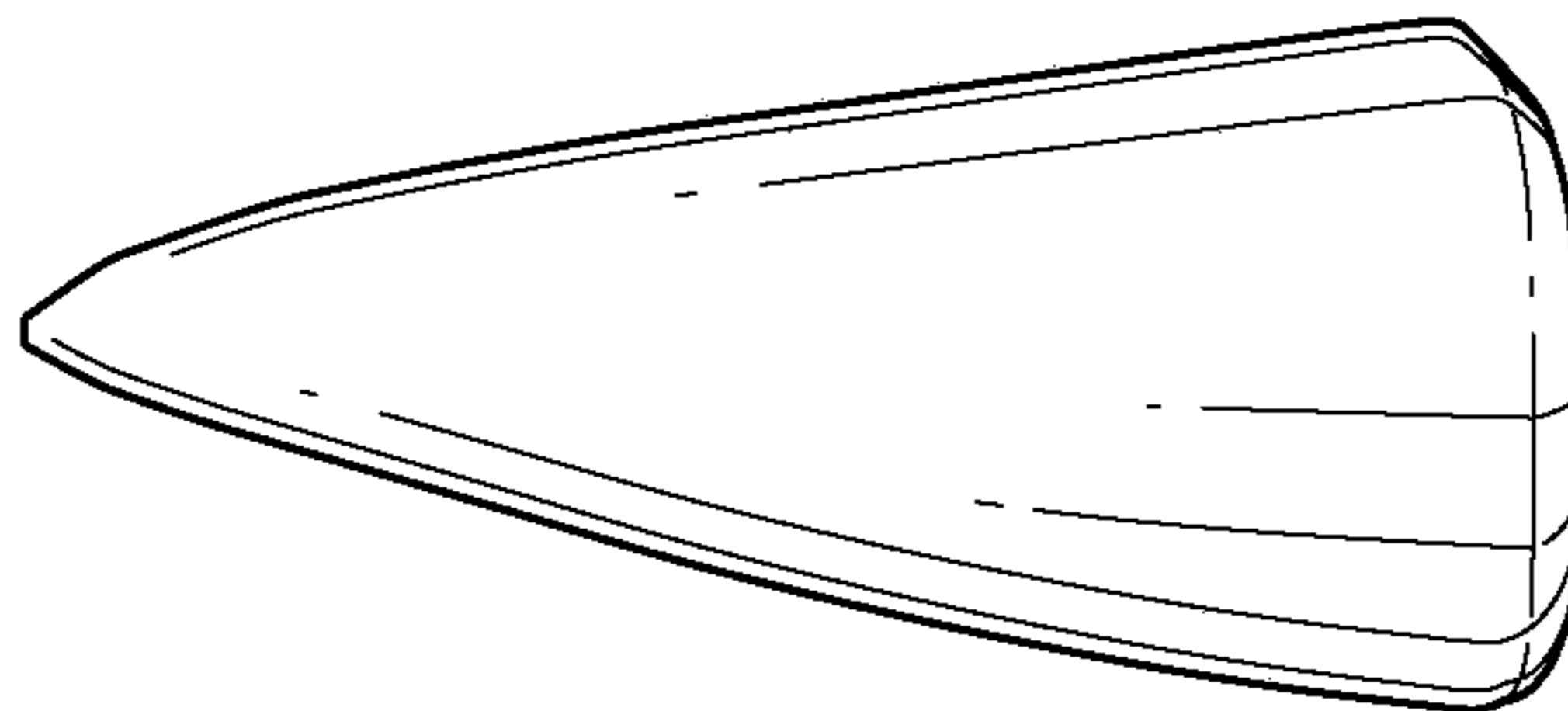


FIG. 9