



US00D897289S

(12) **United States Design Patent** (10) **Patent No.:** **US D897,289 S**  
**Busl** (45) **Date of Patent:** **\*\* Sep. 29, 2020**

(54) **POWER SUPPLY UNIT**  
(71) Applicant: **LOGICDATA Electronic & Software Entwicklungs GmbH,**  
Deutschlandsberg (AT)  
(72) Inventor: **Florian Busl,** Munich (DE)  
(73) Assignee: **LOGICDATA ELECTRONIC & SOFTWARE ENTWICKLUNGS GMBH,** Deutschlandsberg (AT)  
(\*\*) Term: **15 Years**  
(21) Appl. No.: **29/663,325**  
(22) Filed: **Sep. 13, 2018**  
(30) **Foreign Application Priority Data**

D812,000 S \* 3/2018 Li ..... D13/108  
D820,198 S \* 6/2018 Smith ..... D13/103  
D821,983 S \* 7/2018 Shah ..... D13/168  
D836,541 S \* 12/2018 Lomeli ..... D13/107  
D842,237 S \* 3/2019 Qiu ..... D13/103  
D844,560 S \* 4/2019 Miller ..... D13/108  
D852,742 S \* 7/2019 Li ..... D13/110  
D854,020 S \* 7/2019 Liao ..... D14/434  
D864,864 S \* 10/2019 Xu ..... D13/110  
D871,324 S \* 12/2019 Roberts ..... D13/108  
D872,020 S \* 1/2020 Chen ..... D13/110  
D872,021 S \* 1/2020 Xu ..... D13/110  
D875,044 S \* 2/2020 Chen ..... D13/110  
D875,681 S \* 2/2020 Xu ..... D13/110  
D876,350 S \* 2/2020 Lai ..... D13/110  
D877,075 S \* 3/2020 Liao ..... D13/110  
D879,715 S \* 3/2020 Brendel ..... D13/110  
D879,716 S \* 3/2020 Chuang ..... D13/110  
10,608,216 B2 \* 3/2020 Lee ..... H01M 2/1077  
D881,455 S \* 4/2020 Wright ..... D27/162  
D881,459 S \* 4/2020 Ouyang ..... D27/162  
D881,462 S \* 4/2020 Wright ..... D27/162

(Continued)

Jun. 21, 2018 (EM) ..... 005320132  
(51) **LOC (12) Cl.** ..... **13-10**  
(52) **U.S. Cl.**  
USPC ..... **D13/110**  
(58) **Field of Classification Search**  
USPC ..... D13/103, 104, 107, 110, 119, 120, 133,  
D13/156  
CPC ..... H01R 13/641; H01M 2/1022;  
H01M 2/1027; H01M 2/1072; H01M  
2/105; H01M 2/1077; H02B 1/20  
See application file for complete search history.

*Primary Examiner* — Susan Bennett Hattan  
*Assistant Examiner* — Suzanne E Tisdell  
(74) *Attorney, Agent, or Firm* — Slater Matsil, LLP

(57) **CLAIM**

The ornamental design for a power supply unit, as shown and described.

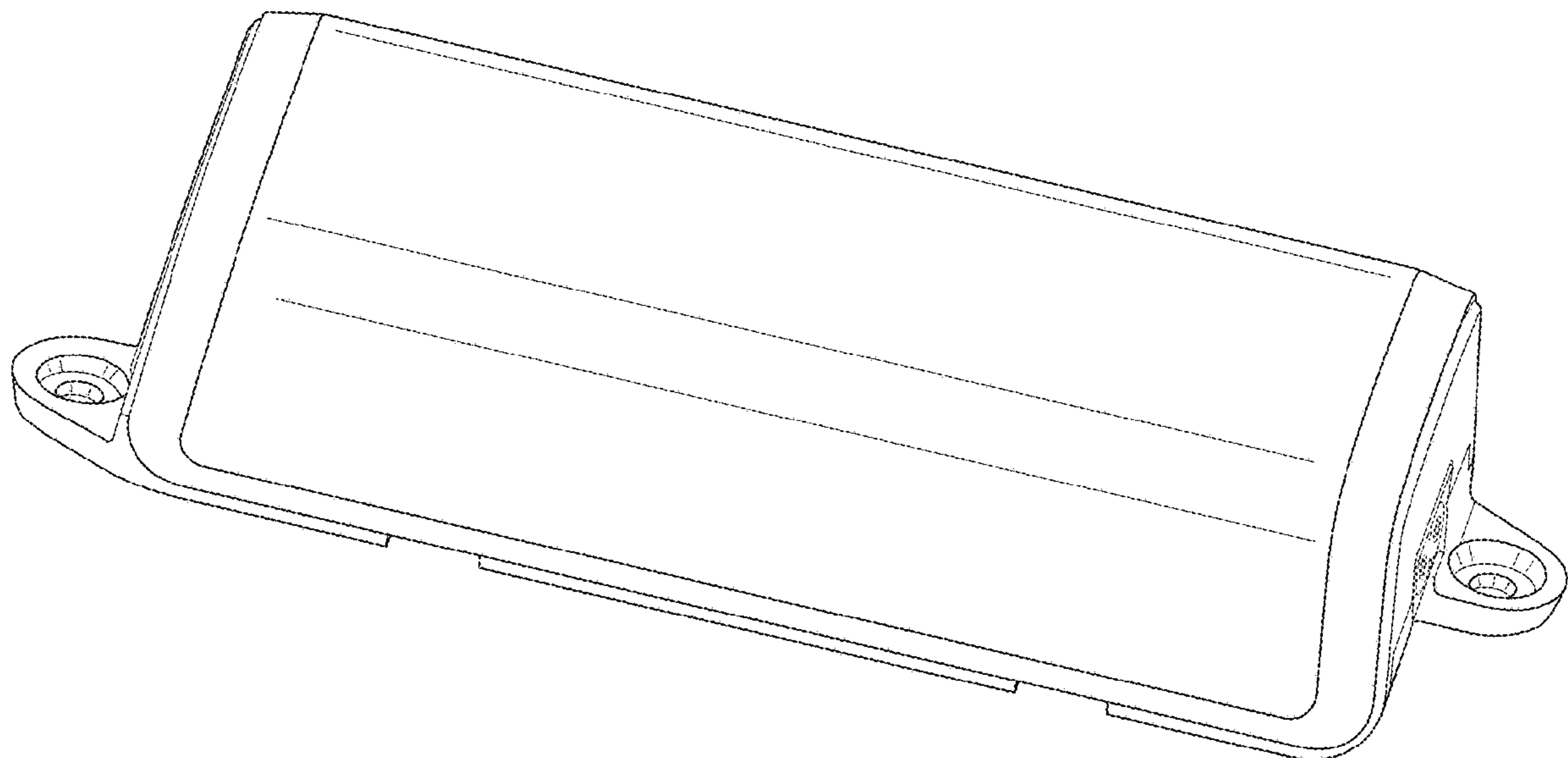
**DESCRIPTION**

FIG. 1 is a back perspective view of a power supply unit; FIG. 2 is a front view thereof; FIG. 3 is a back view thereof; FIG. 4 is a right side view thereof; FIG. 5 is a left side view thereof; FIG. 6 is a top view thereof; and, FIG. 7 is a bottom view thereof.

The broken lines of the drawings depict portions of the power supply unit that form no part of the claimed design.

**1 Claim, 7 Drawing Sheets**

(56) **References Cited**  
U.S. PATENT DOCUMENTS  
D657,739 S \* 4/2012 Miyawaki ..... D13/104  
D705,719 S \* 5/2014 Wong ..... D13/103  
D711,821 S \* 8/2014 Wang ..... D13/103  
D759,587 S \* 6/2016 Santos ..... D13/103  
D762,565 S \* 8/2016 Akana ..... D13/103  
D775,073 S \* 12/2016 Oshiba ..... D13/119



(56)

**References Cited**

U.S. PATENT DOCUMENTS

2008/0050645 A1\* 2/2008 Kai ..... H01M 2/1077  
429/61  
2009/0123821 A1\* 5/2009 Kim ..... H05K 1/182  
429/124  
2011/0070465 A1\* 3/2011 Kim ..... H01M 10/4257  
429/7  
2015/0207181 A1\* 7/2015 Fink ..... H01M 10/425  
429/7  
2017/0264059 A1\* 9/2017 Cote ..... H01R 13/717  
2019/0131678 A1\* 5/2019 Kim ..... H01M 10/613  
2019/0189982 A1\* 6/2019 Lee ..... H01M 10/0472  
2019/0198952 A1\* 6/2019 Choi ..... H01M 2/204

\* cited by examiner

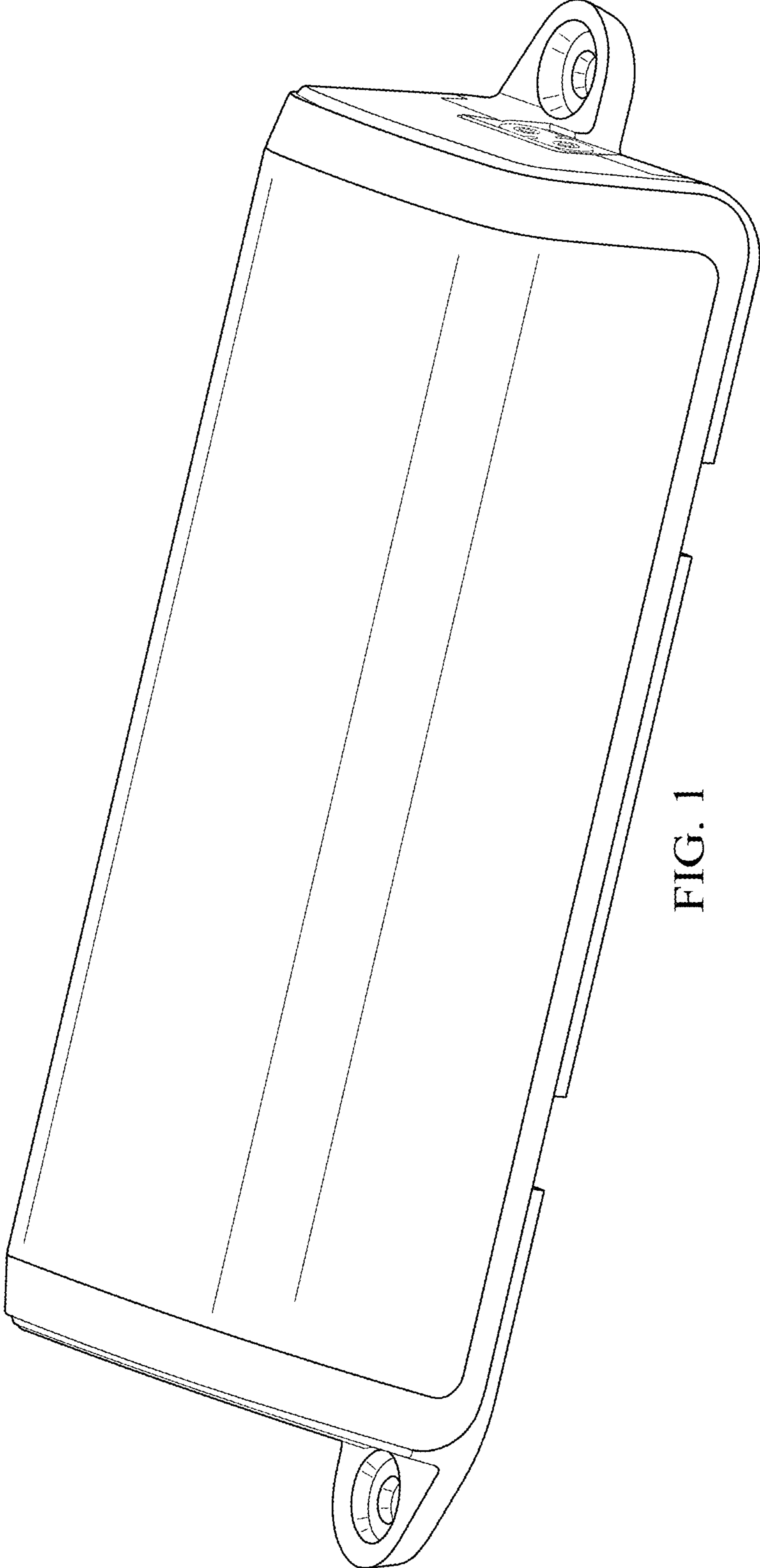


FIG. 1

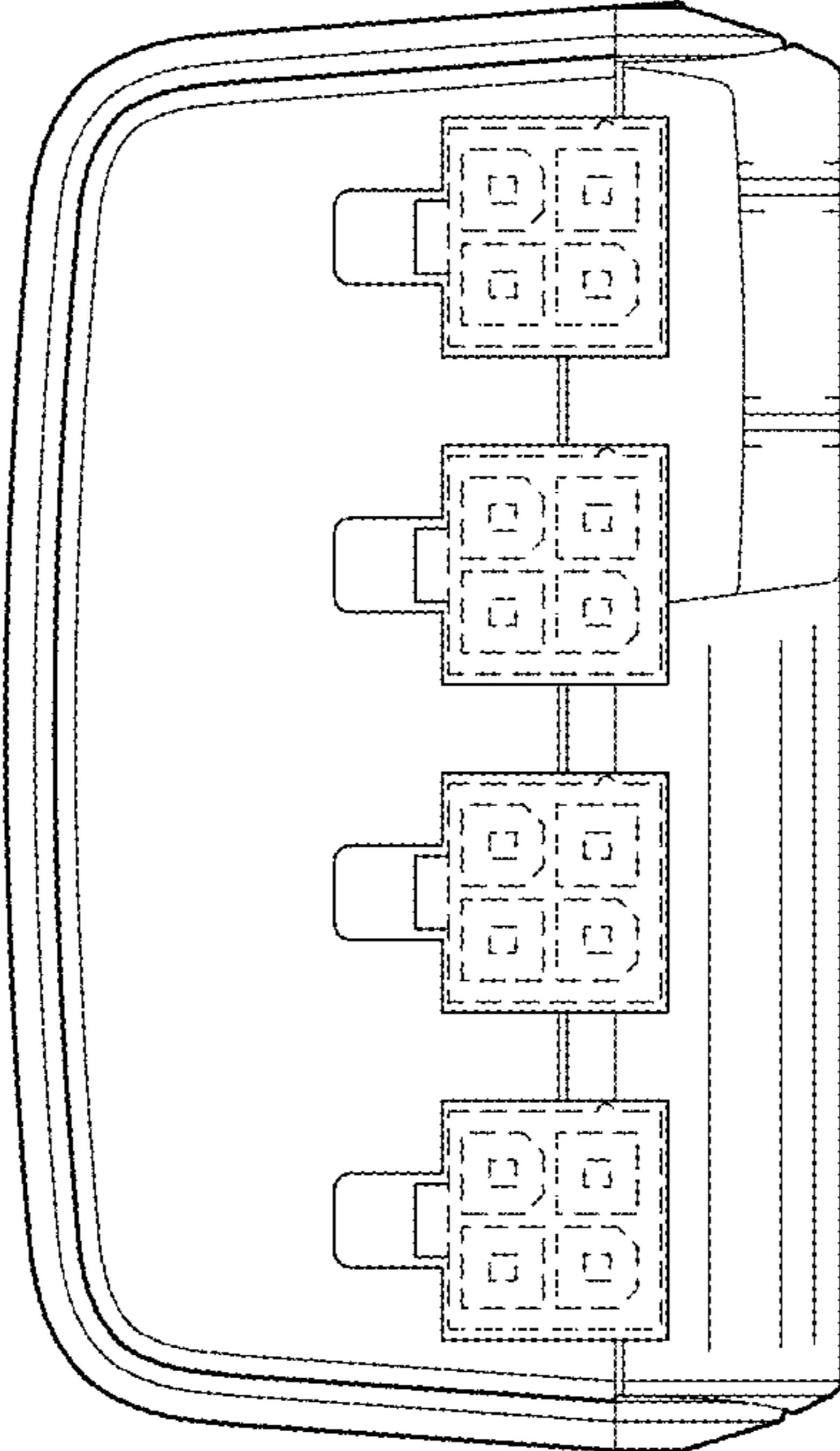


FIG. 2

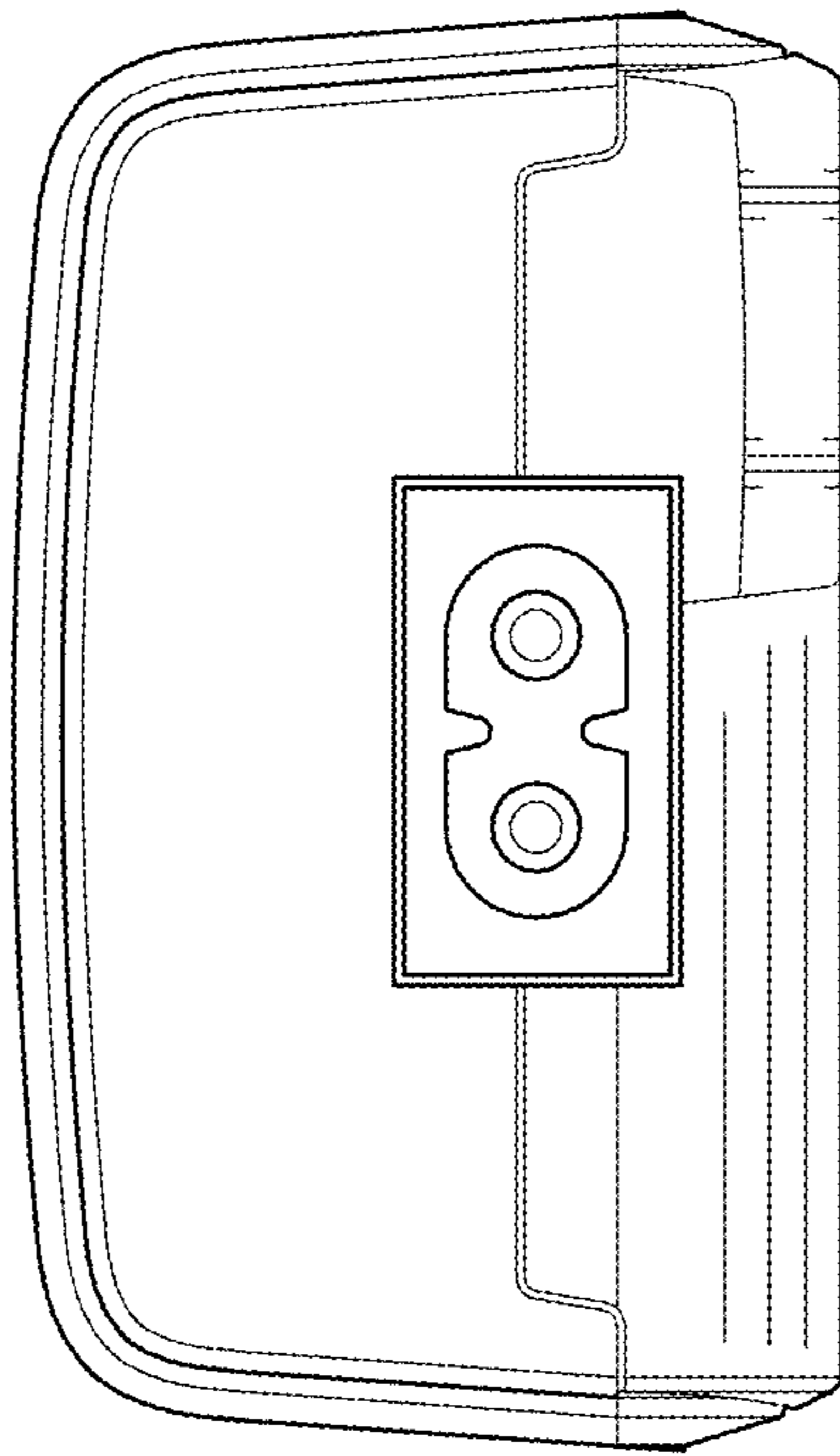


FIG. 3

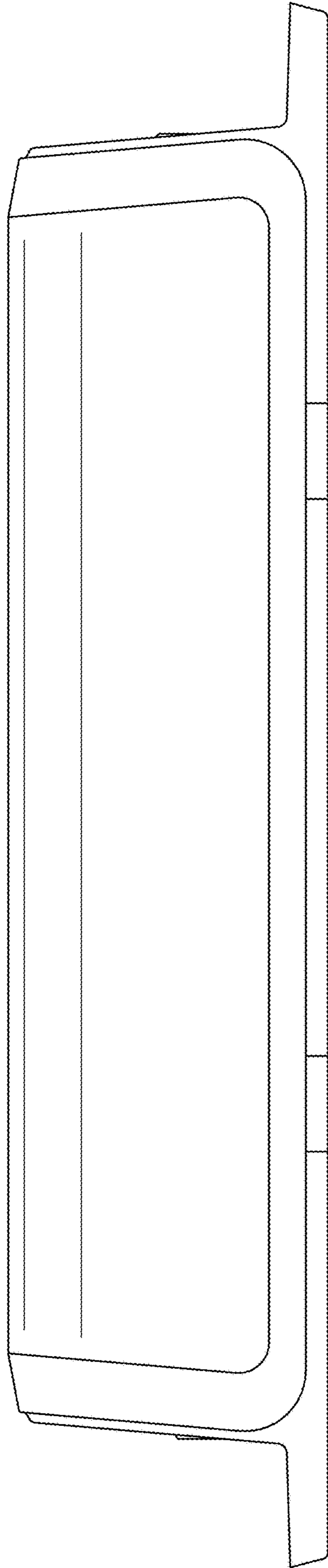


FIG. 4



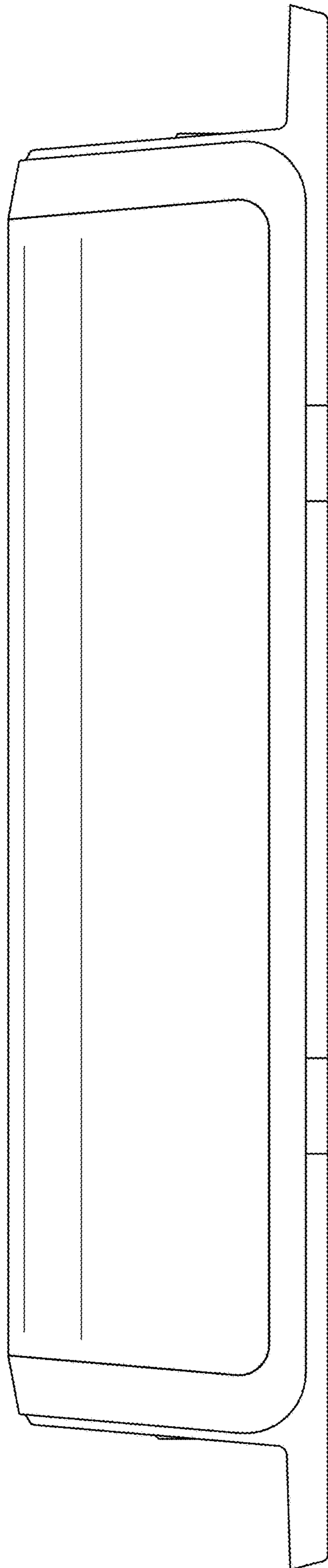


FIG. 5

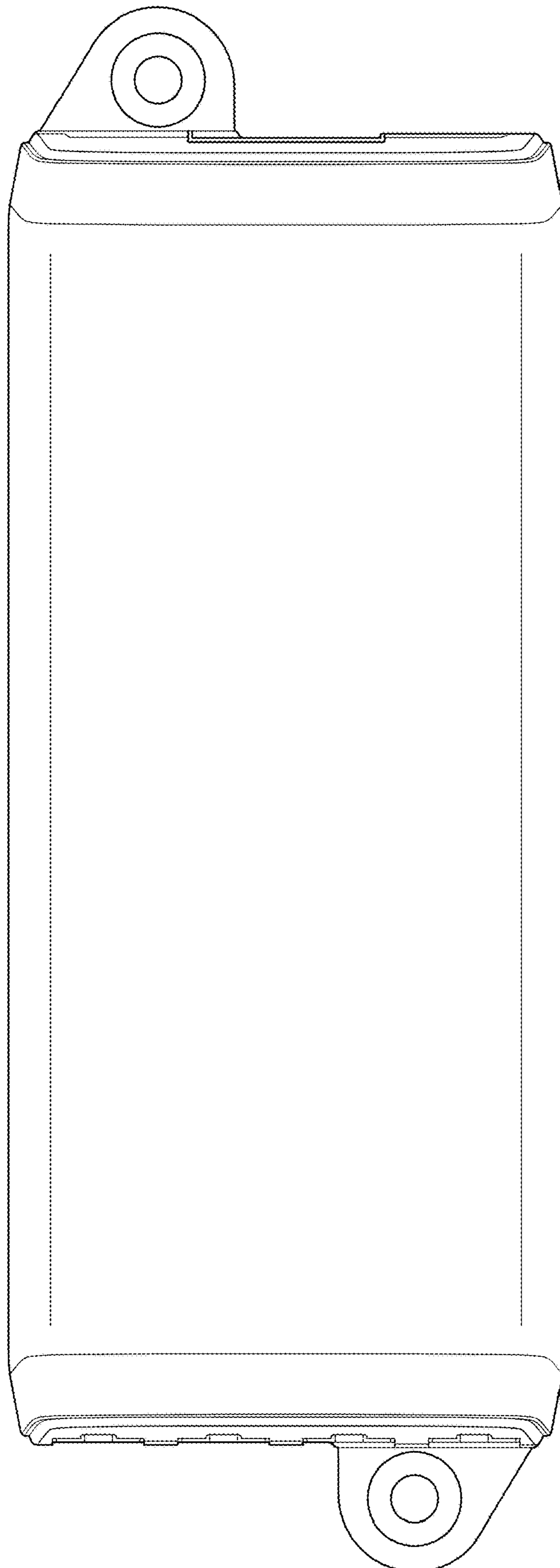


FIG. 6



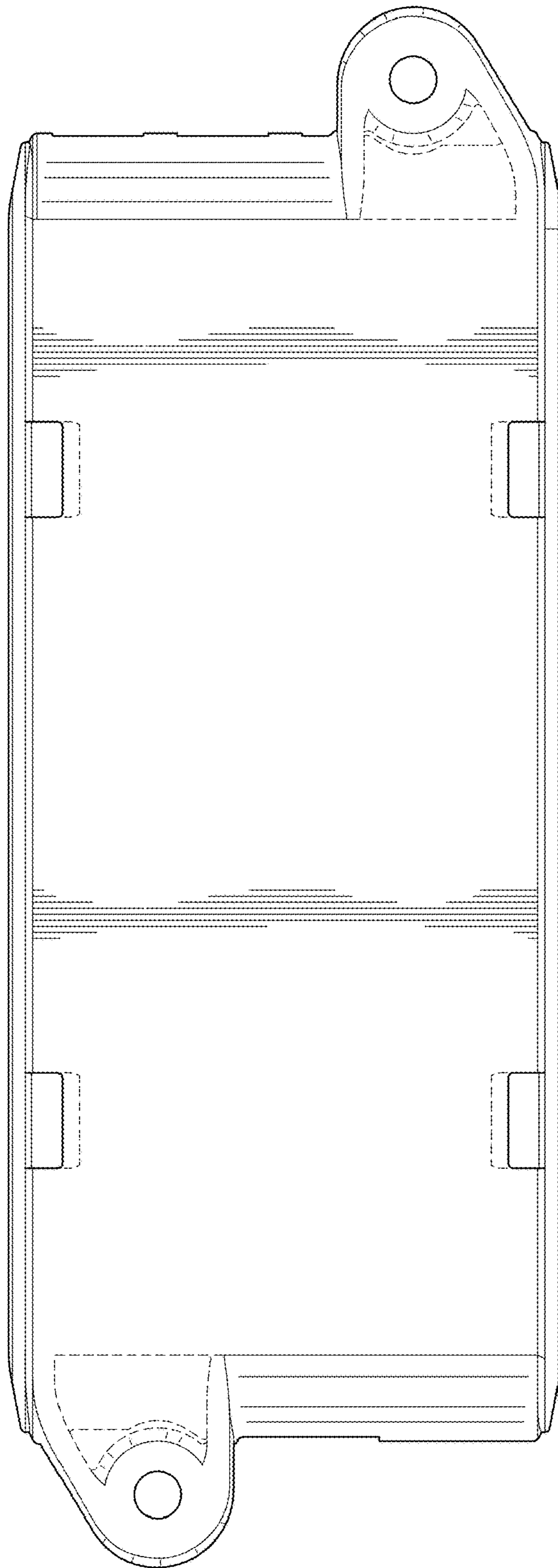


FIG. 7