



US00D897286S

(12) **United States Design Patent**
Zhu

(10) **Patent No.:** **US D897,286 S**

(45) **Date of Patent:** **** Sep. 29, 2020**

(54) **BATTERY CHARGER**

(71) Applicant: **Wuqi Zhu**, Hu'nan (CN)

(72) Inventor: **Wuqi Zhu**, Hu'nan (CN)

(**) Term: **15 Years**

(21) Appl. No.: **29/687,889**

(22) Filed: **Apr. 16, 2019**

(51) **LOC (12) Cl.** **13-02**

(52) **U.S. Cl.**
USPC **D13/108**

(58) **Field of Classification Search**
USPC D13/103, 107-108, 110, 184, 199;
D14/251, 253, 432, 434; D27/193, 194
CPC H02J 7/0044; H02J 7/0045; H02J 7/0042;
H02J 7/342; H02J 7/345; H02J 7/025;
H02J 7/026; H02J 7/0007; H02J 7/0027;
H02J 7/0003; H02J 50/10; B60R 16/033
See application file for complete search history.

(56) **References Cited**

U.S. PATENT DOCUMENTS

D669,430 S * 10/2012 Budike D13/108
D705,722 S * 5/2014 Gengler D13/107

D709,445 S * 7/2014 Yeh D13/107
D761,729 S * 7/2016 Leong D13/108
D778,829 S * 2/2017 Marmus D13/108
D818,432 S * 5/2018 Zhu D13/108
D823,796 S * 7/2018 Zhang D13/108
D845,234 S * 4/2019 Gao D13/108
D850,369 S * 6/2019 Wang D13/108
D860,132 S * 9/2019 Fu D13/108
D870,657 S * 12/2019 Liang D13/108

* cited by examiner

Primary Examiner — Rosemary K Tarcza

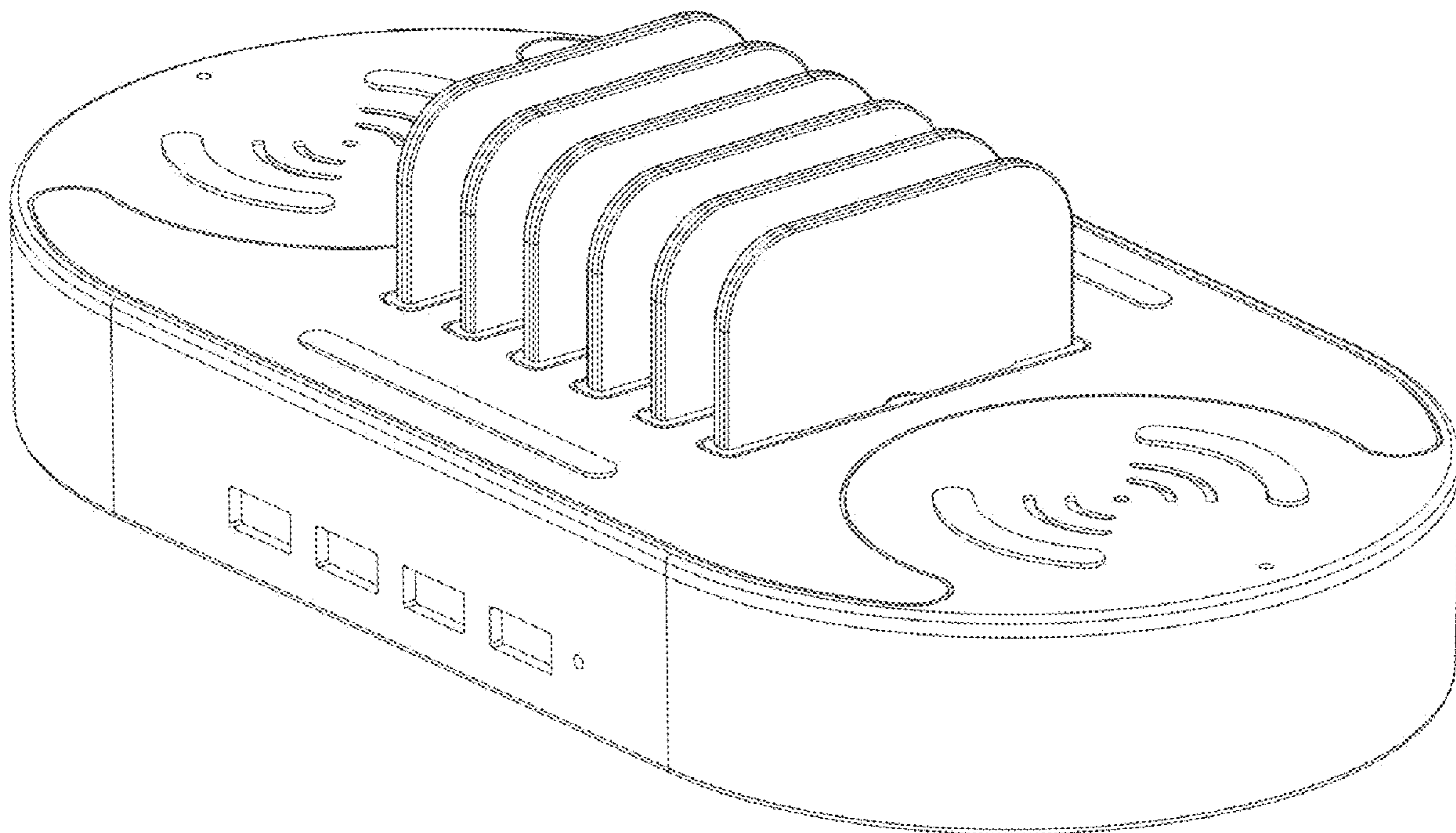
(57) **CLAIM**

The ornamental design for a battery charger, as shown and described.

DESCRIPTION

FIG. 1 is a top perspective view of a battery charger, showing my new design;
FIG. 2 is a bottom perspective view of a battery charger, showing my new design;
FIG. 3 is a top plan view thereof;
FIG. 4 is a rear elevational view thereof;
FIG. 5 is a bottom plan view thereof;
FIG. 6 is a right side view thereof;
FIG. 7 is a front elevational view thereof; and,
FIG. 8 is a left side view thereof.

1 Claim, 8 Drawing Sheets



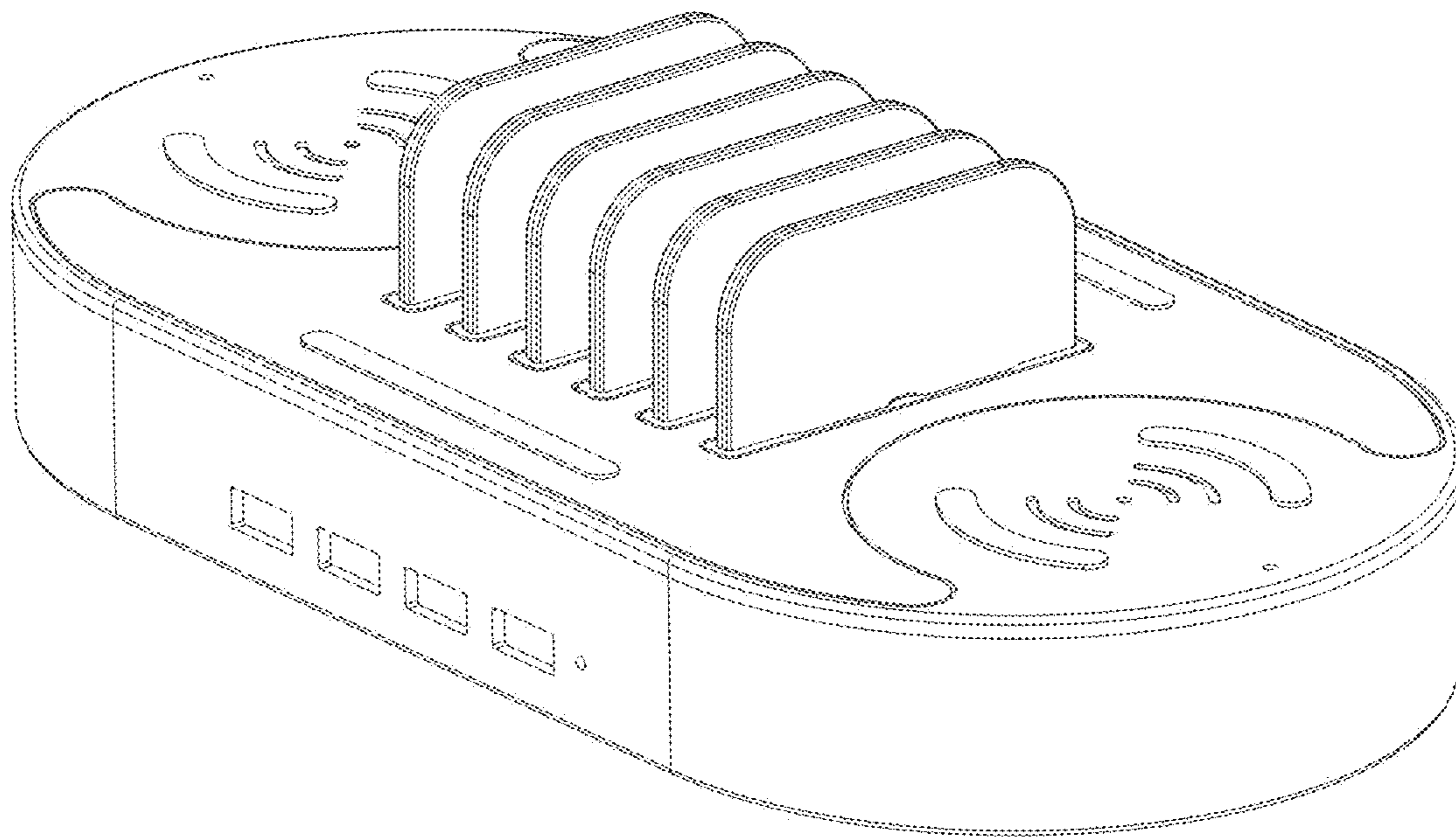


FIG.1

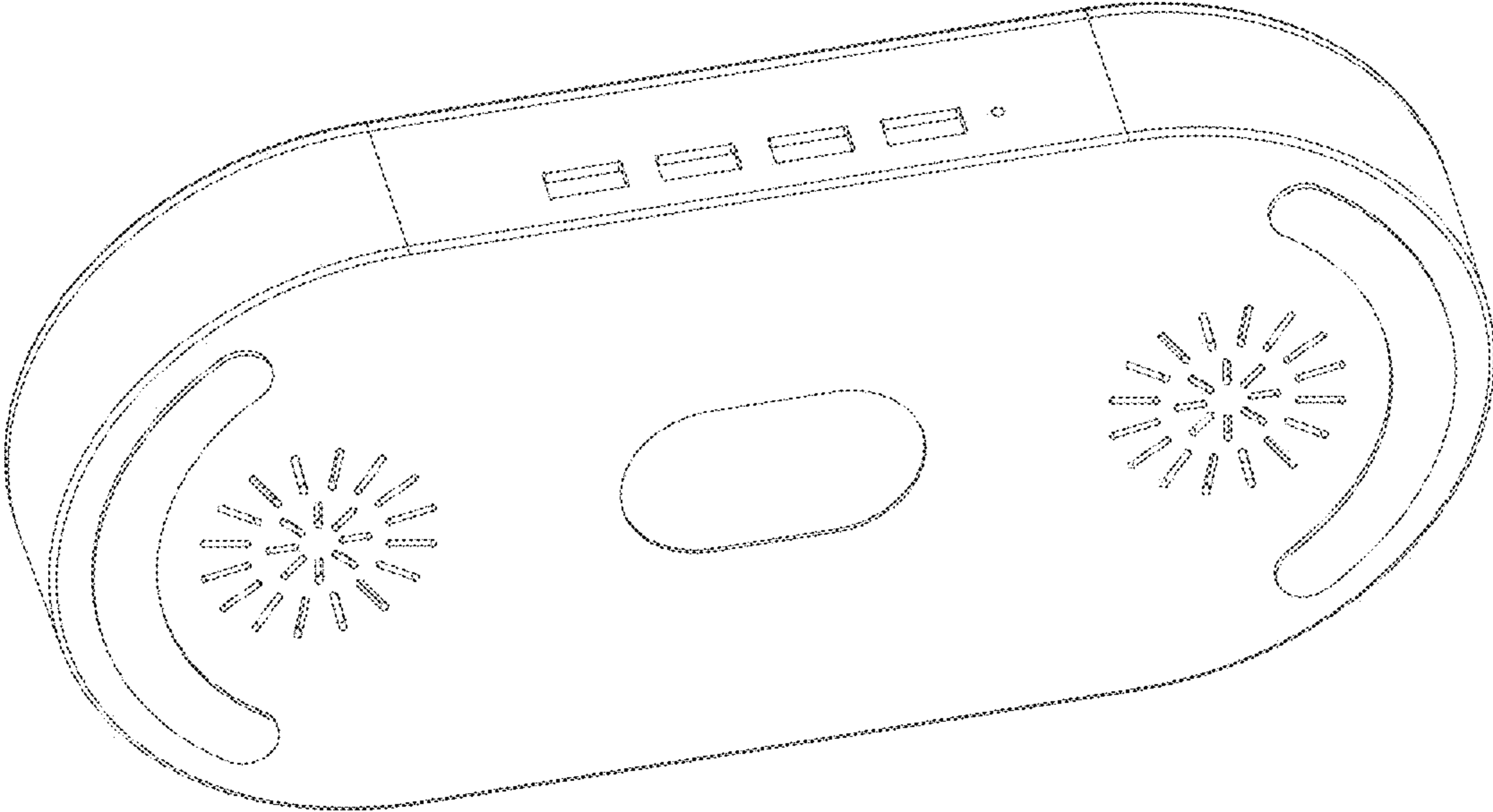


FIG.2

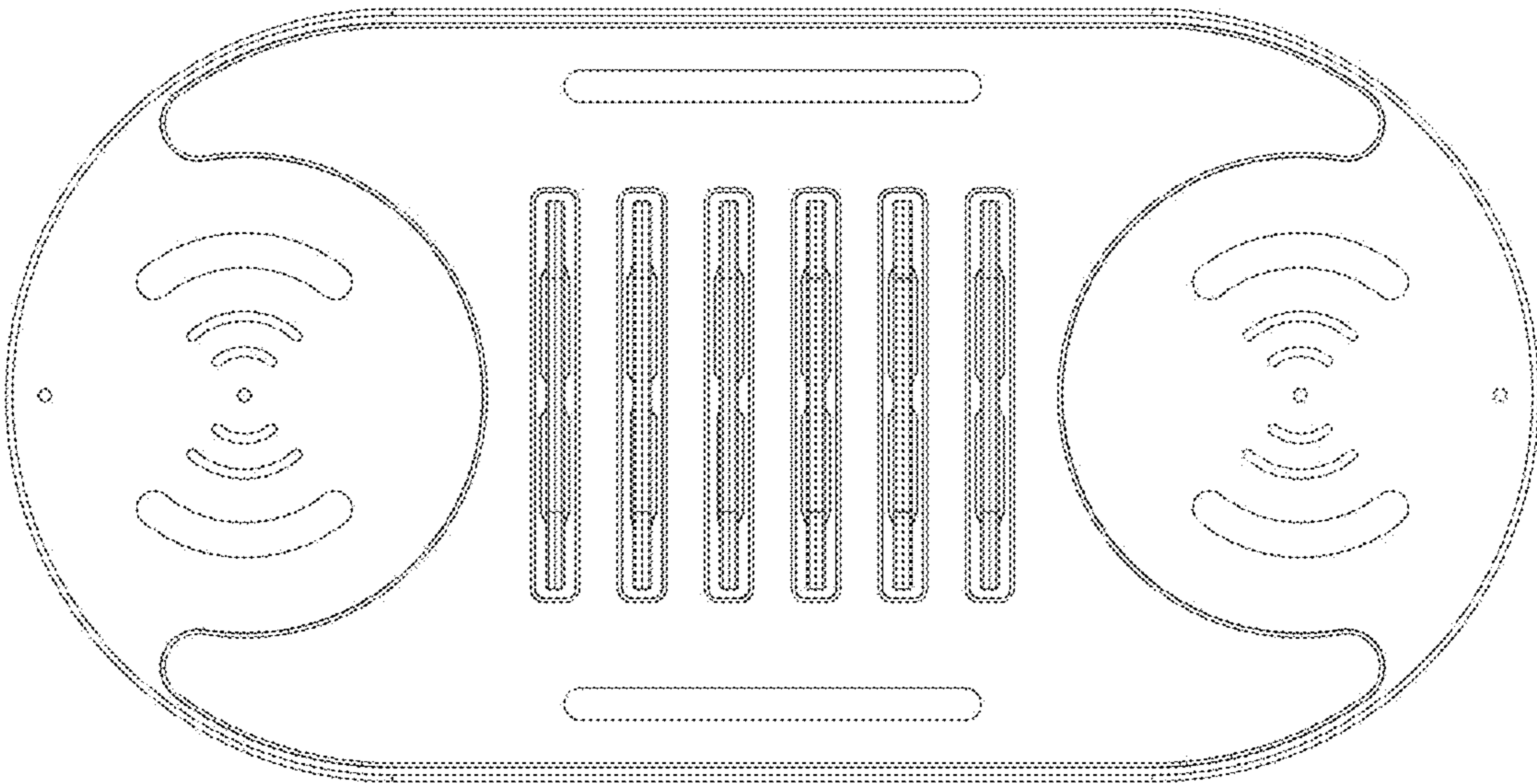


FIG.3

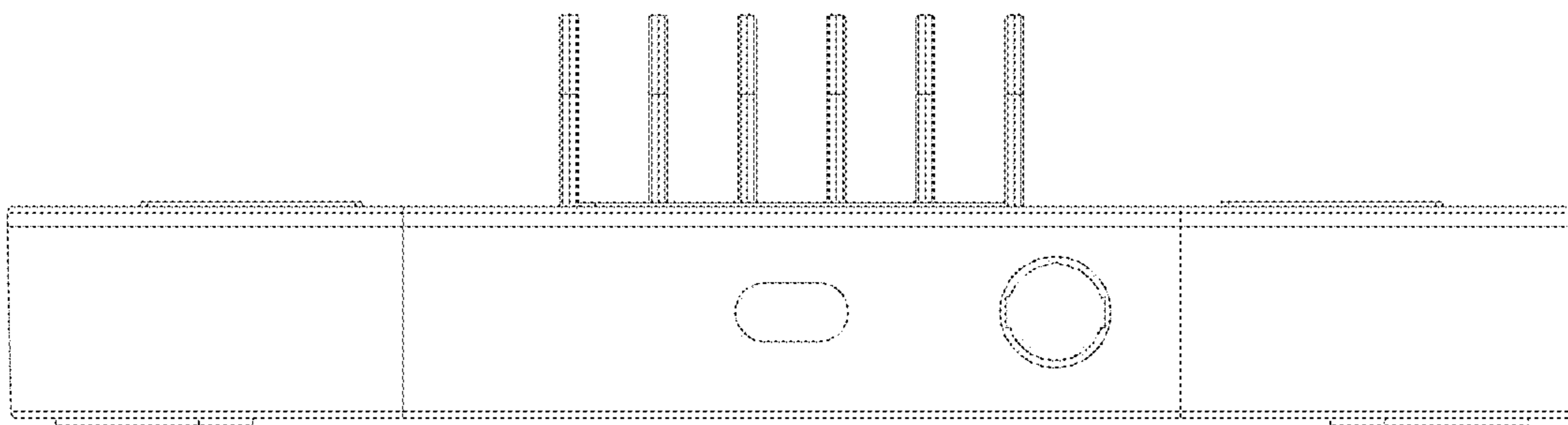


FIG.4

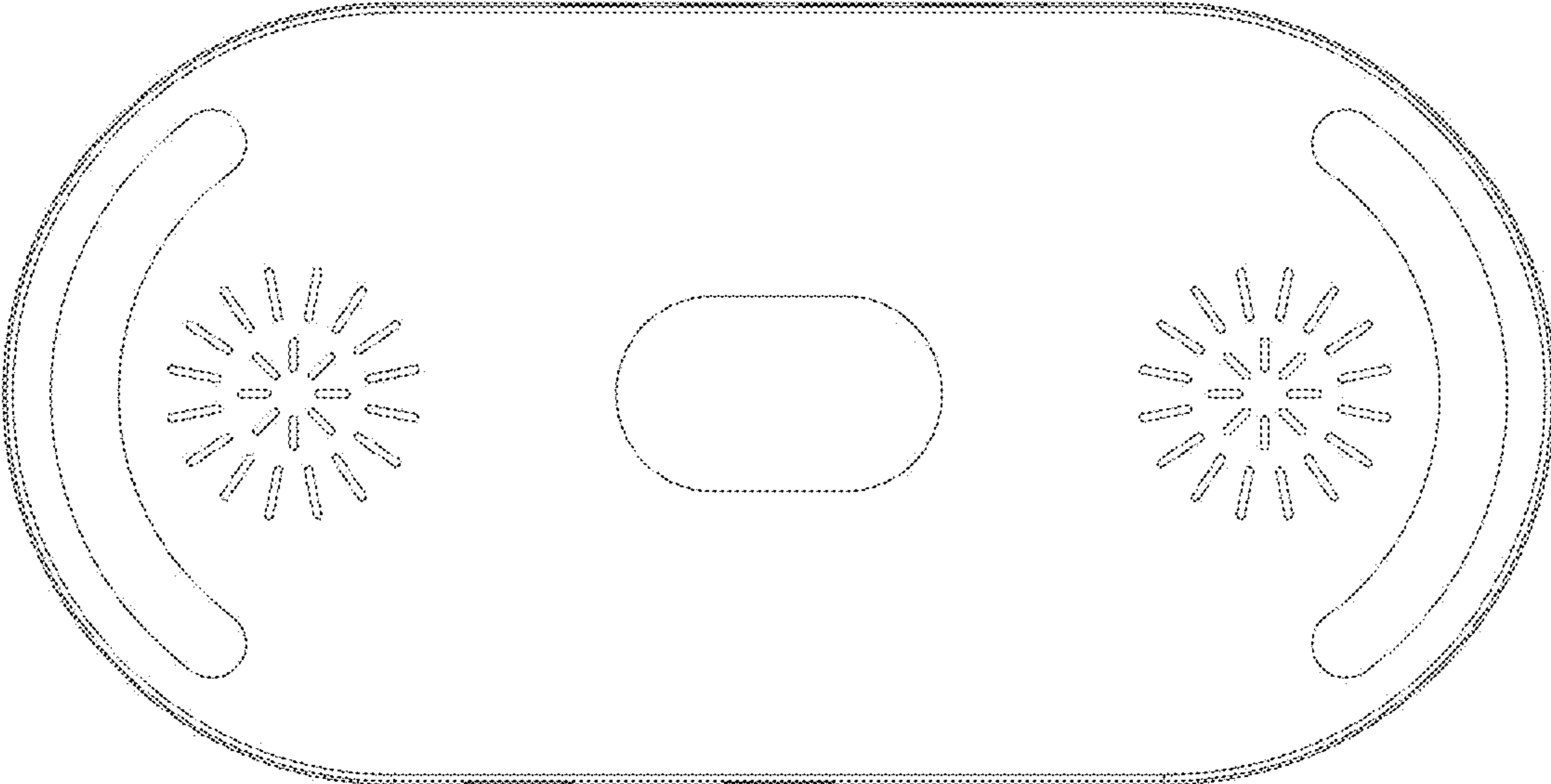


FIG.5

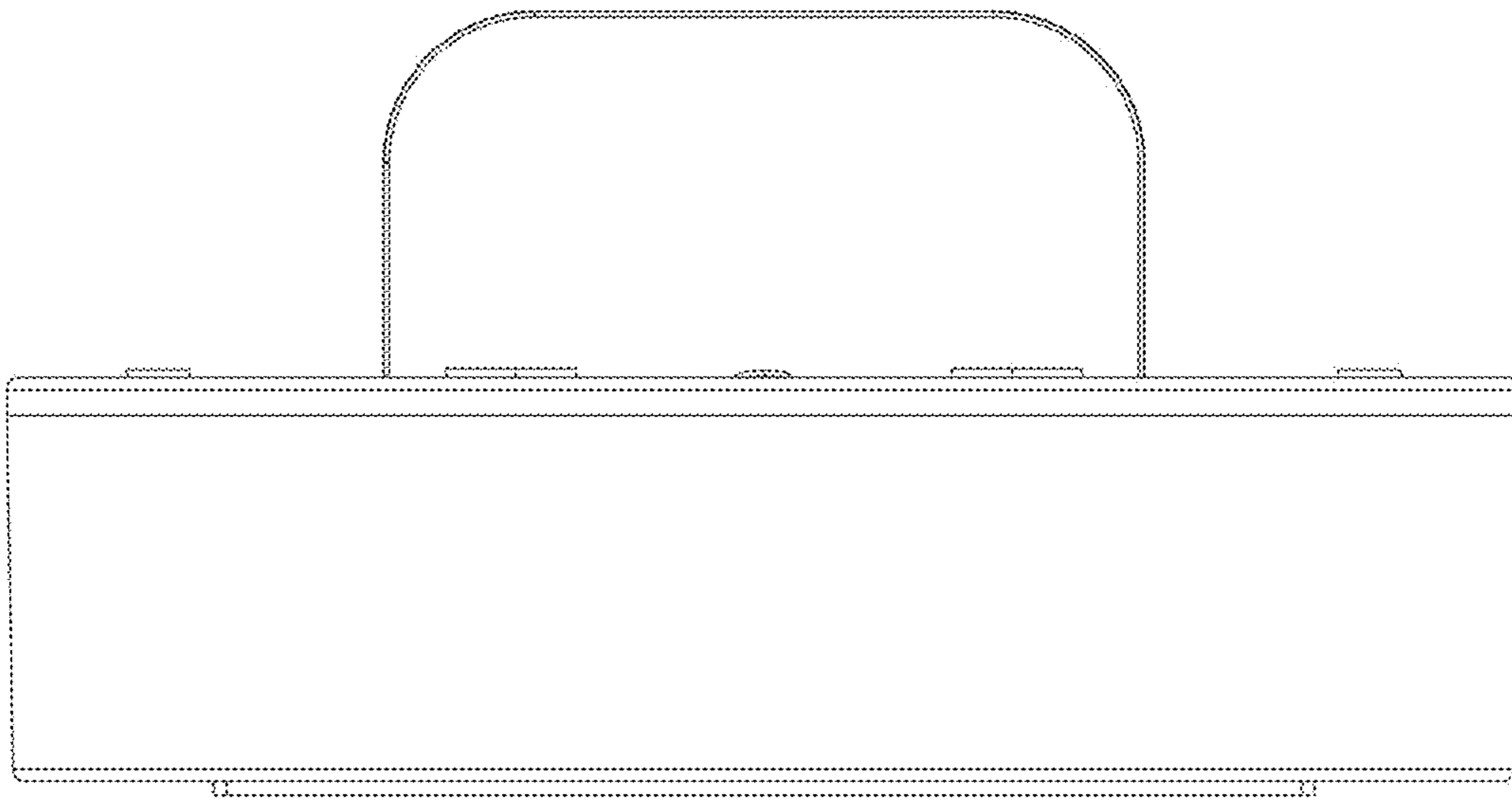


FIG.6

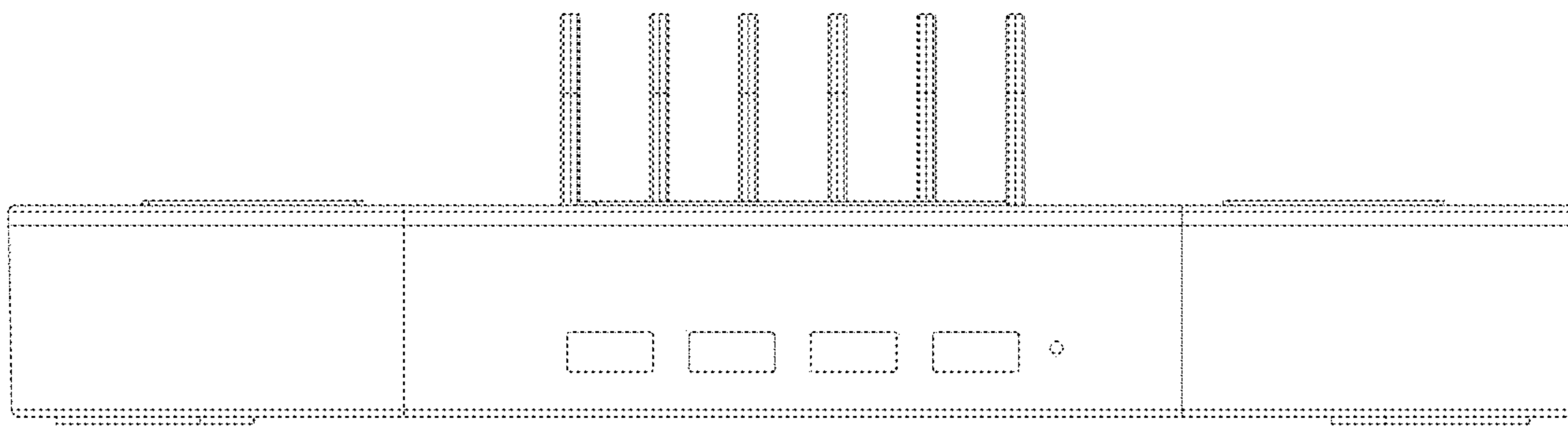


FIG. 7

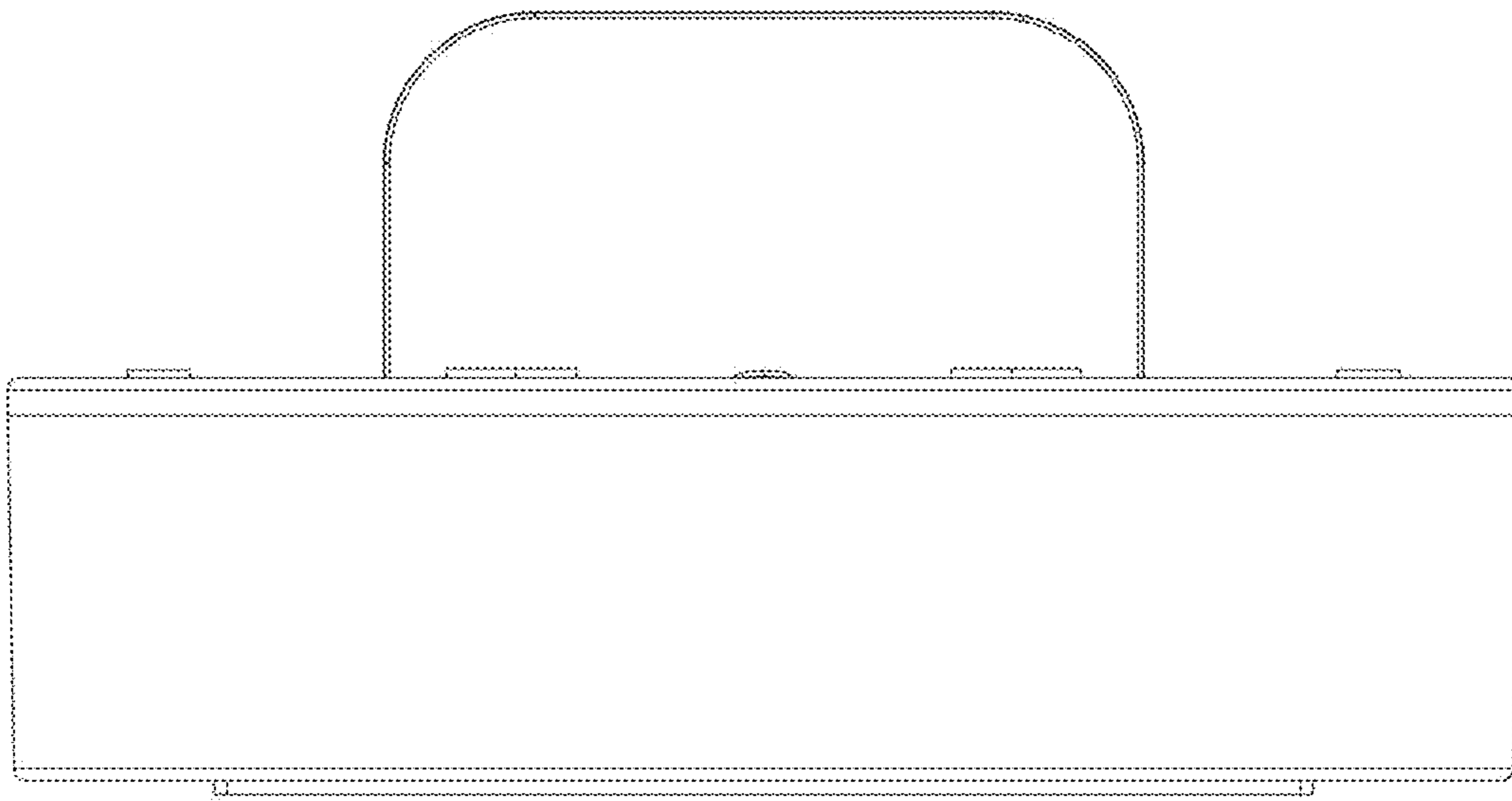


FIG.8