



US00D897285S

(12) **United States Design Patent**  
**Walsh et al.**

(10) **Patent No.:** **US D897,285 S**

(45) **Date of Patent:** **\*\* Sep. 29, 2020**

(54) **CHARGER**

(71) Applicant: **Group Dekko, Inc.**, Garrett, IN (US)

(72) Inventors: **Stephen Walsh**, Dallas, TX (US);  
**Mark Harder**, Dallas, TX (US); **Khoi Hoang**, Dallas, TX (US); **Bryan Brady**, Dallas, TX (US)

(73) Assignee: **Group Dekko, Inc.**, Garrett, IN (US)

(\*\*) Term: **15 Years**

(21) Appl. No.: **29/687,831**

(22) Filed: **Apr. 16, 2019**

(51) **LOC (12) Cl.** ..... **13-02**

(52) **U.S. Cl.**  
USPC ..... **D13/108**

(58) **Field of Classification Search**  
USPC ..... D13/103, 107-108, 110, 184, 199;  
D14/251, 253, 432, 434  
CPC ..... H02J 7/0044; H02J 7/0045; H02J 7/0042;  
H02J 7/342; H02J 7/345; H02J 7/025;  
H02J 7/026; H02J 7/0007; H02J 7/0027;  
H02J 7/0003; H02J 50/00; H02J 50/10;  
H02J 50/12; H02J 50/80; H02J 50/40;  
H02J 50/402; H02J 50/50

See application file for complete search history.

(56) **References Cited**

**U.S. PATENT DOCUMENTS**

D516,025 S \* 2/2006 Quinn ..... D13/108  
D620,884 S \* 8/2010 Lee ..... D13/108  
D693,814 S \* 11/2013 Park ..... D14/434

D697,027 S \* 1/2014 Ho ..... D13/108  
D704,639 S \* 5/2014 Alesi ..... D13/110  
D734,254 S \* 7/2015 Chen ..... D13/108  
D735,133 S \* 7/2015 Reishus ..... D13/108  
D736,210 S \* 8/2015 Paradise ..... D14/434  
D749,504 S \* 2/2016 Jeong ..... D13/108  
D757,014 S \* 5/2016 Hahn ..... D13/108  
D774,455 S \* 12/2016 Kim ..... D13/108  
D777,100 S \* 1/2017 Price ..... D13/103  
D784,978 S \* 4/2017 Hobbs ..... D14/253  
D786,792 S \* 5/2017 Miller ..... D13/110  
D798,808 S \* 10/2017 Ptok ..... D13/108  
D800,060 S \* 10/2017 Solland ..... D13/108  
D812,565 S \* 3/2018 Lee ..... D13/110  
D816,030 S \* 4/2018 Sumida ..... D13/108  
D823,241 S \* 7/2018 Zhang ..... D13/103  
D873,769 S \* 1/2020 Jayasiri ..... D13/108  
D875,675 S \* 2/2020 Zhang ..... D13/108

\* cited by examiner

*Primary Examiner* — Rosemary K Tarcza

(74) *Attorney, Agent, or Firm* — Taylor IP, P.C.

(57) **CLAIM**

The ornamental design for a charger, as shown and described.

**DESCRIPTION**

FIG. 1 is a perspective view of a charger showing our new design;

FIG. 2 is a bottom plan view thereof;

FIG. 3 is a top plan view thereof;

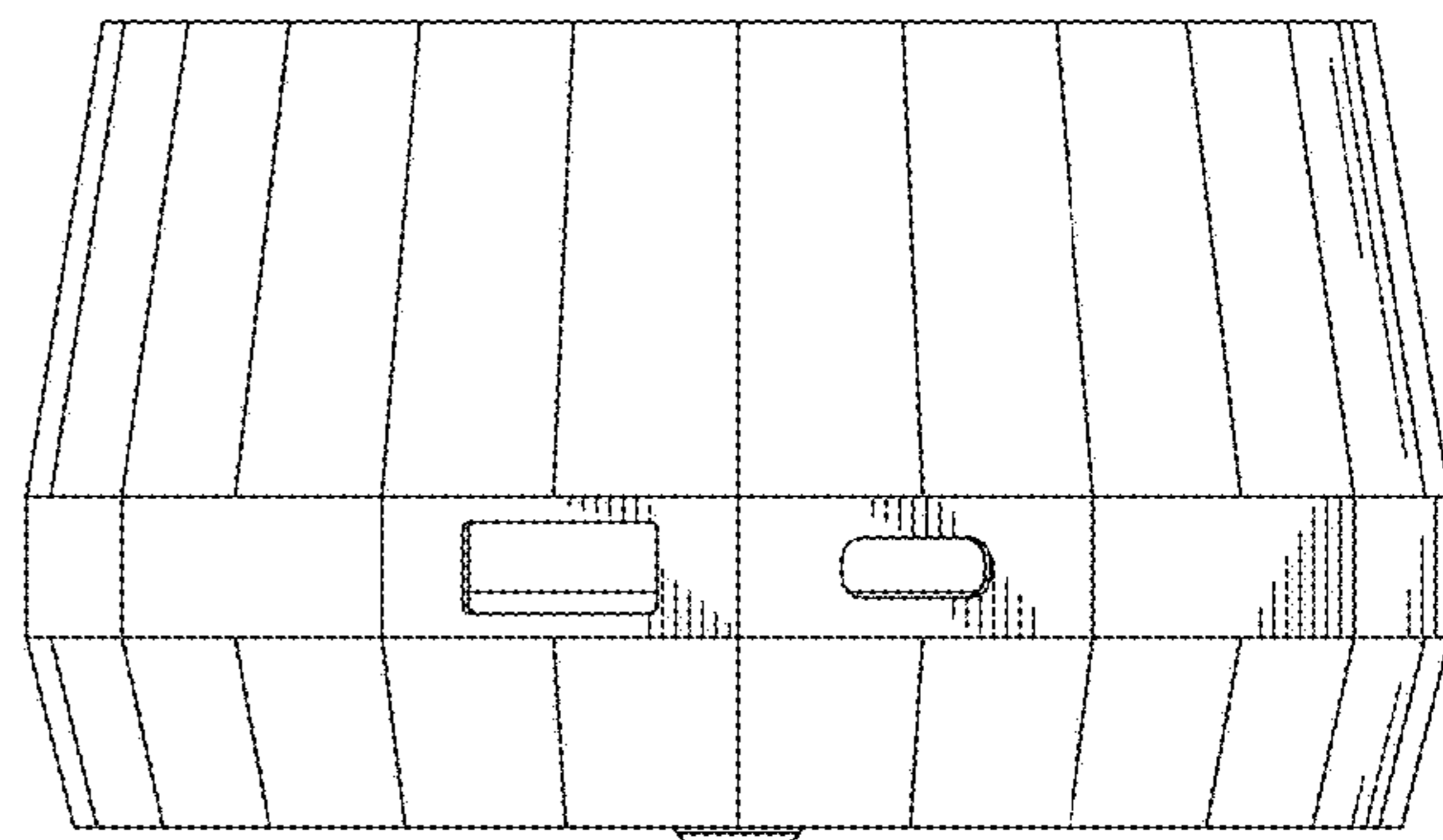
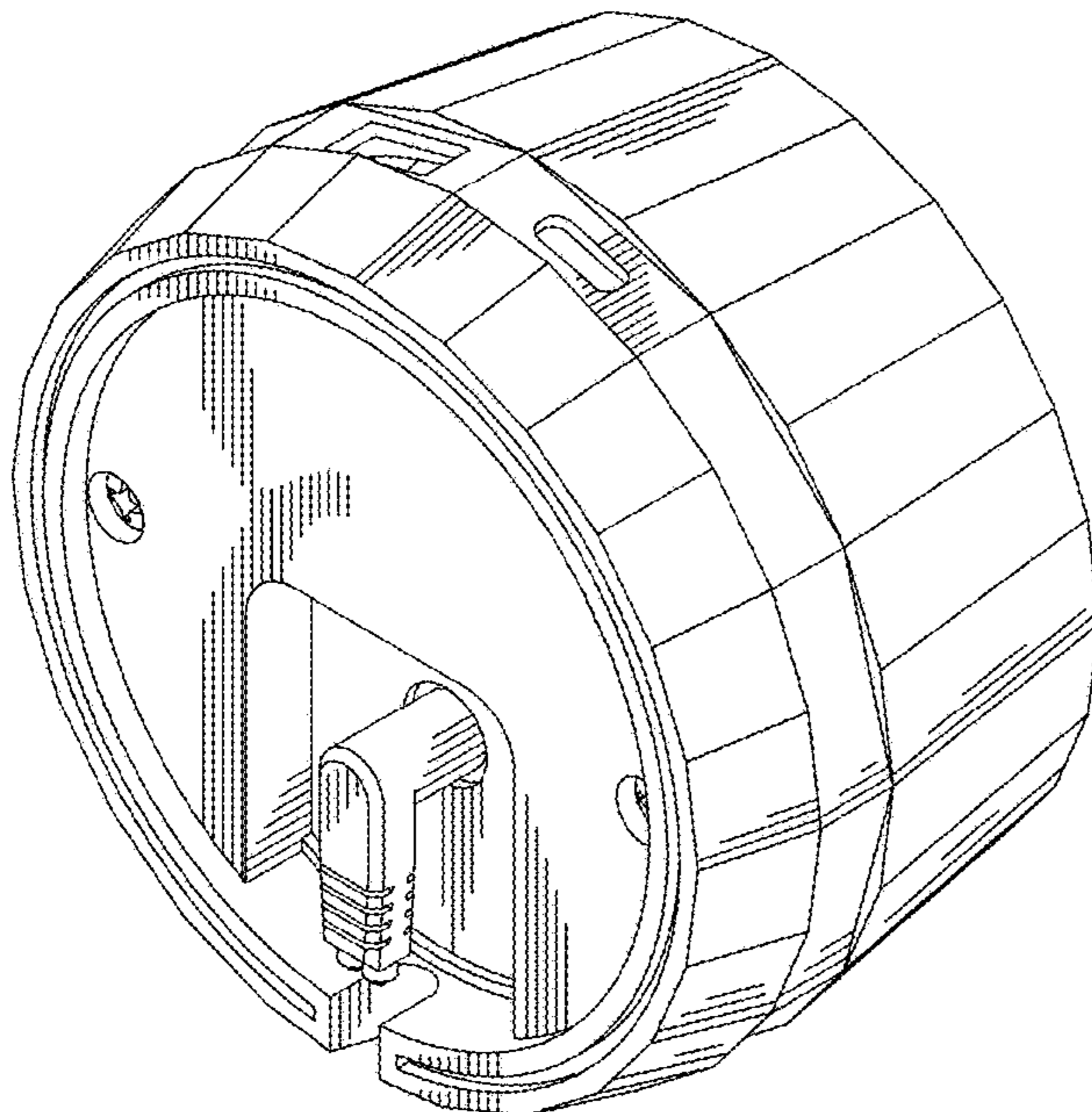
FIG. 4 is a side view thereof;

FIG. 5 is another side view thereof;

FIG. 6 is another side view thereof; and,

FIG. 7 is another side view thereof.

**1 Claim, 3 Drawing Sheets**



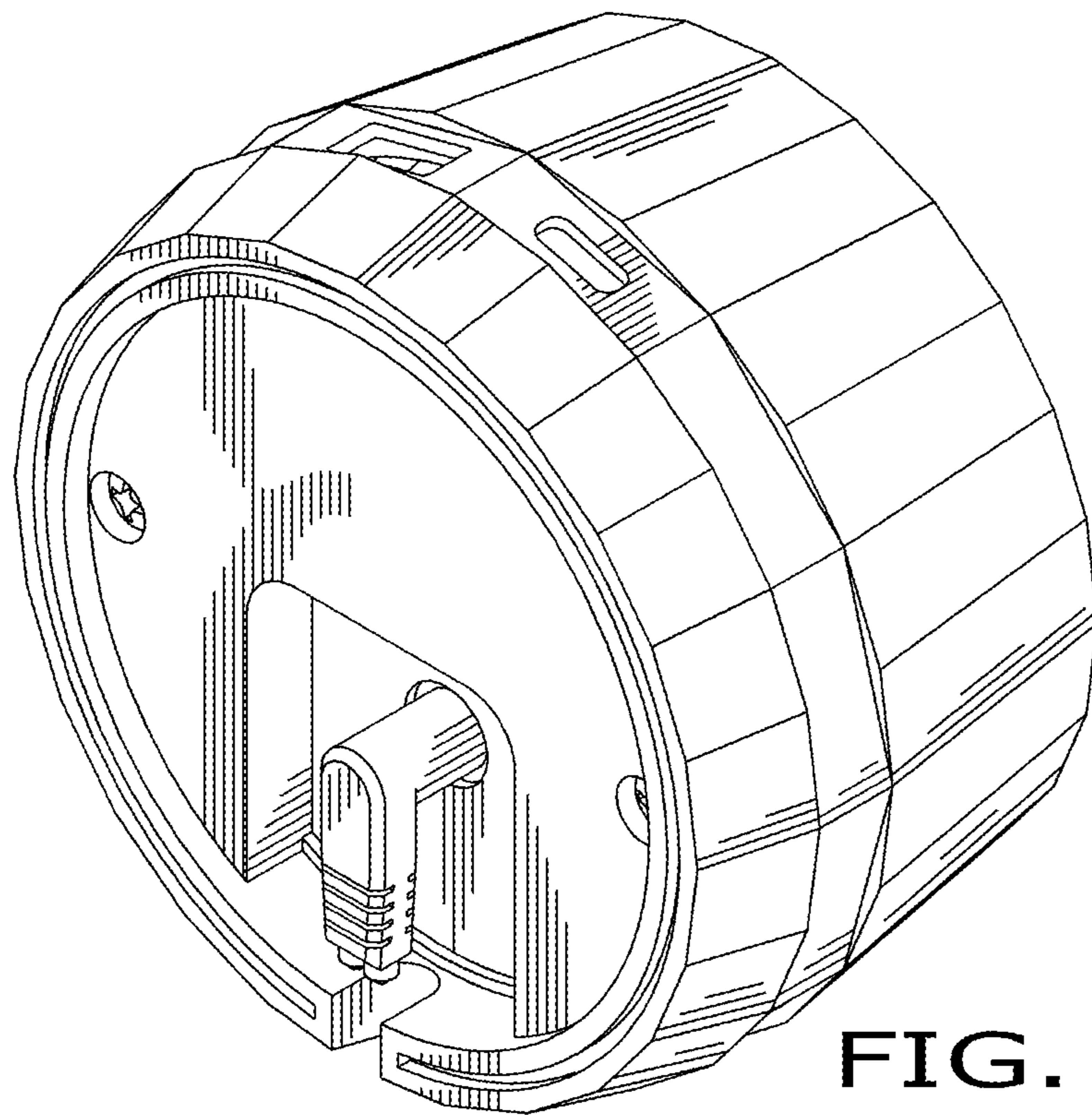


FIG. 1

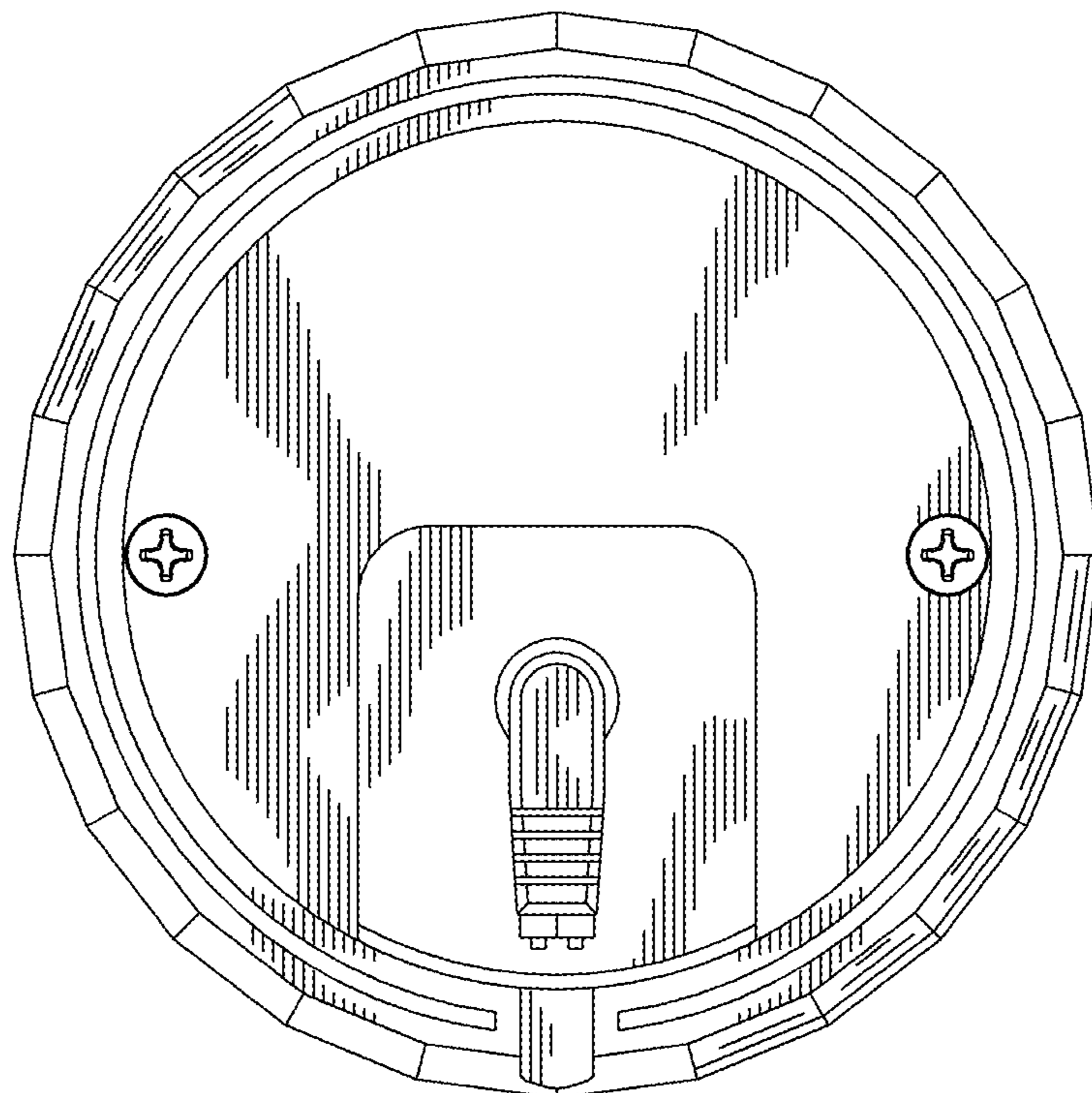


FIG. 2

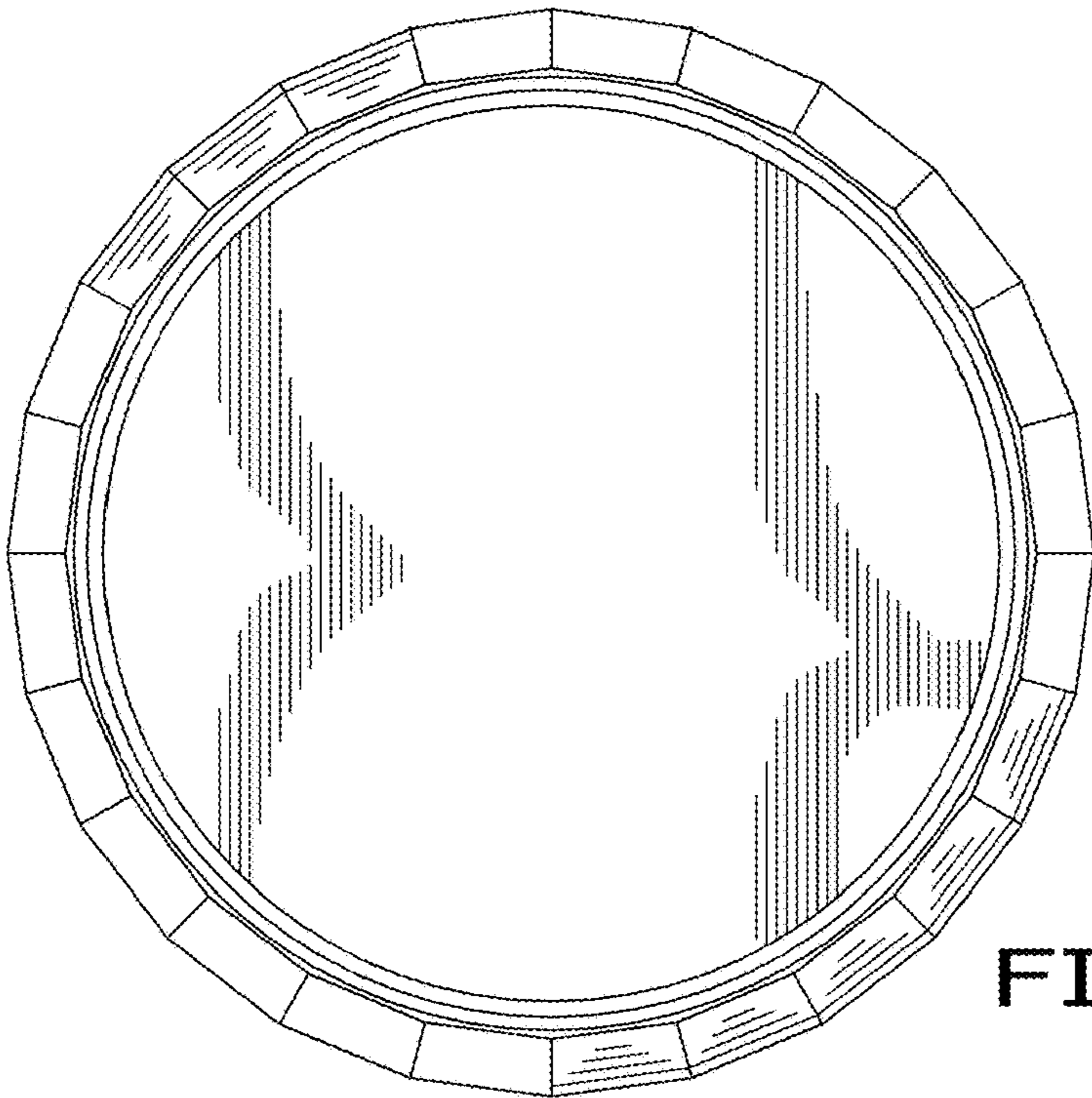


FIG. 3

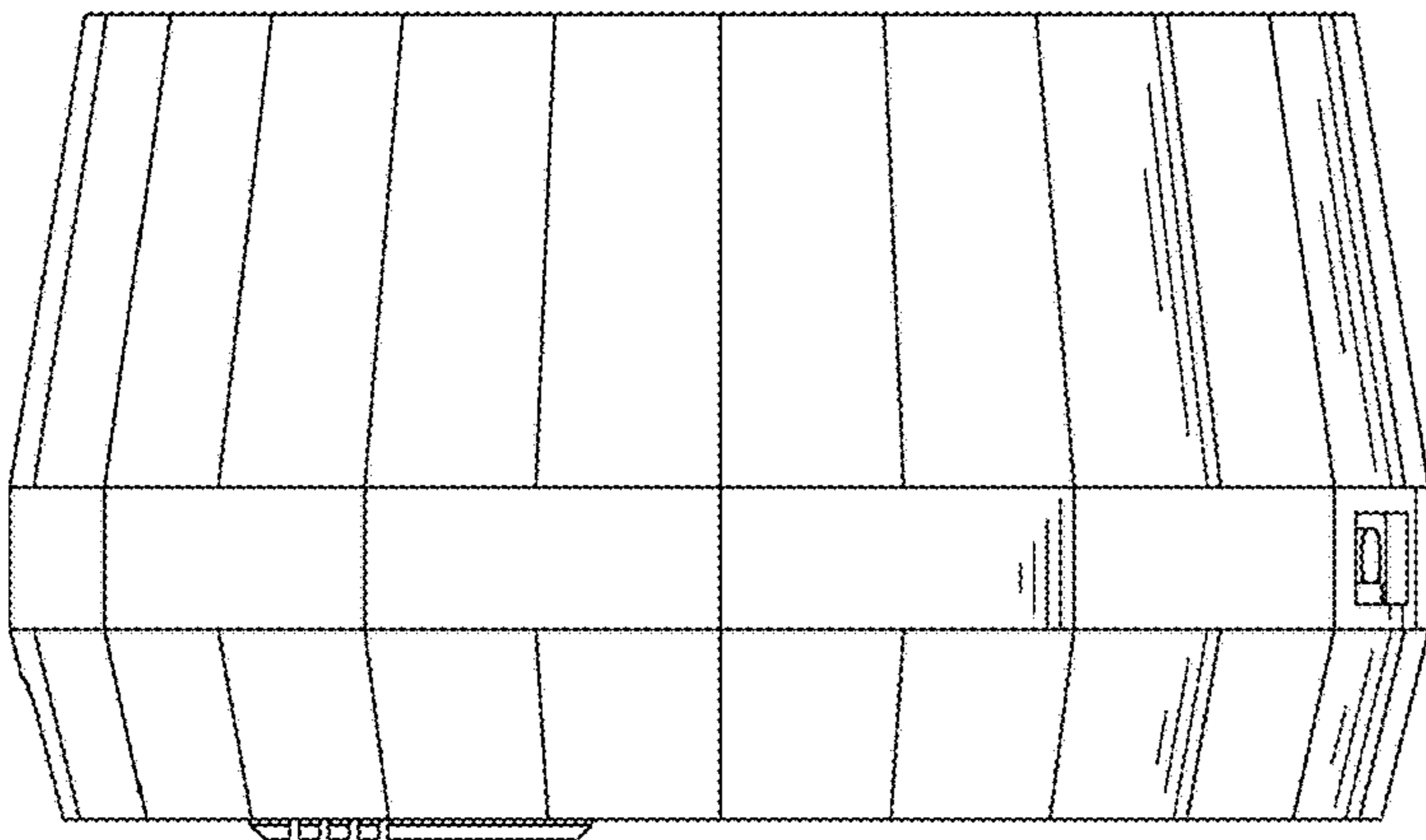


FIG. 4

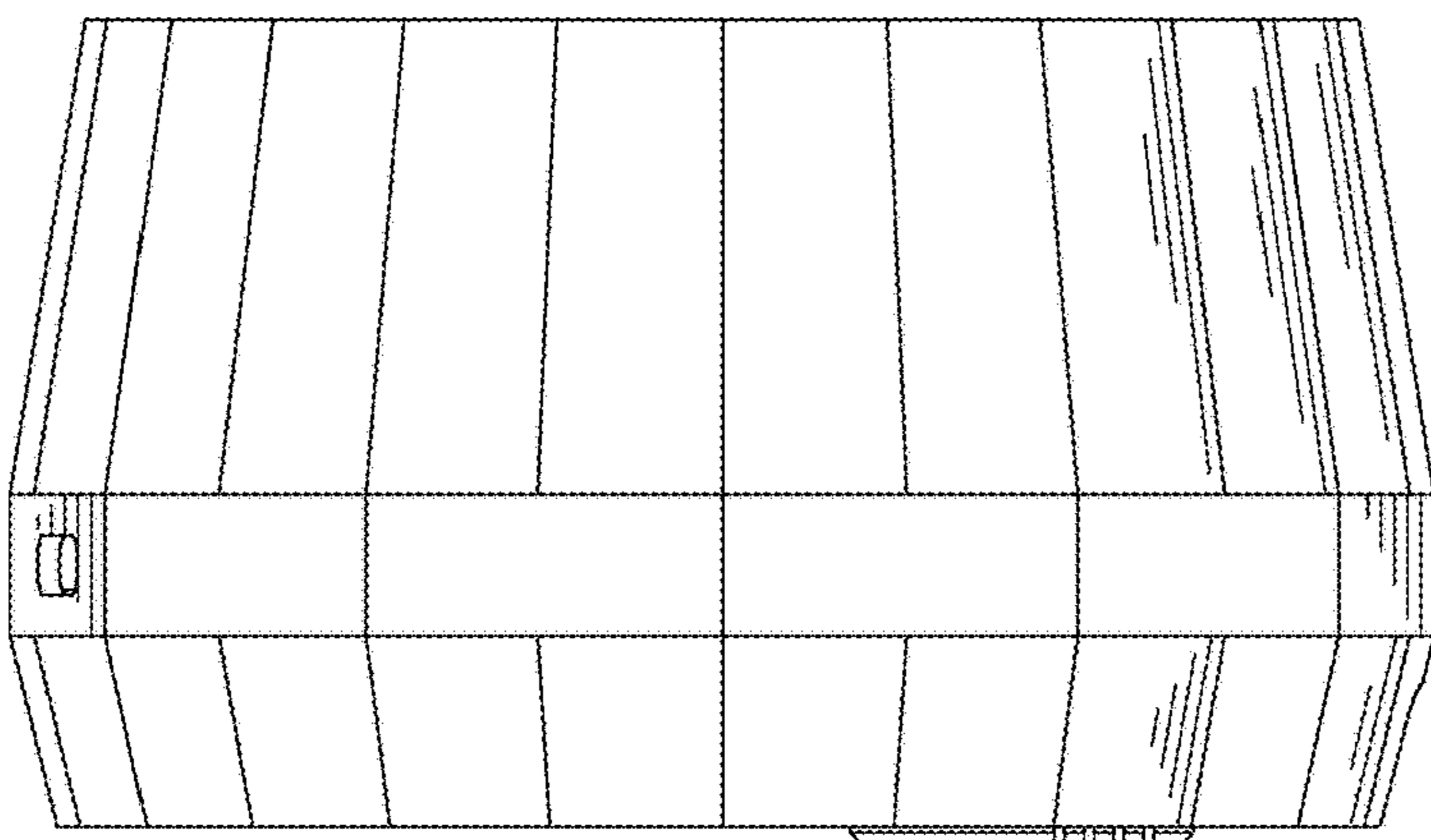


FIG. 5

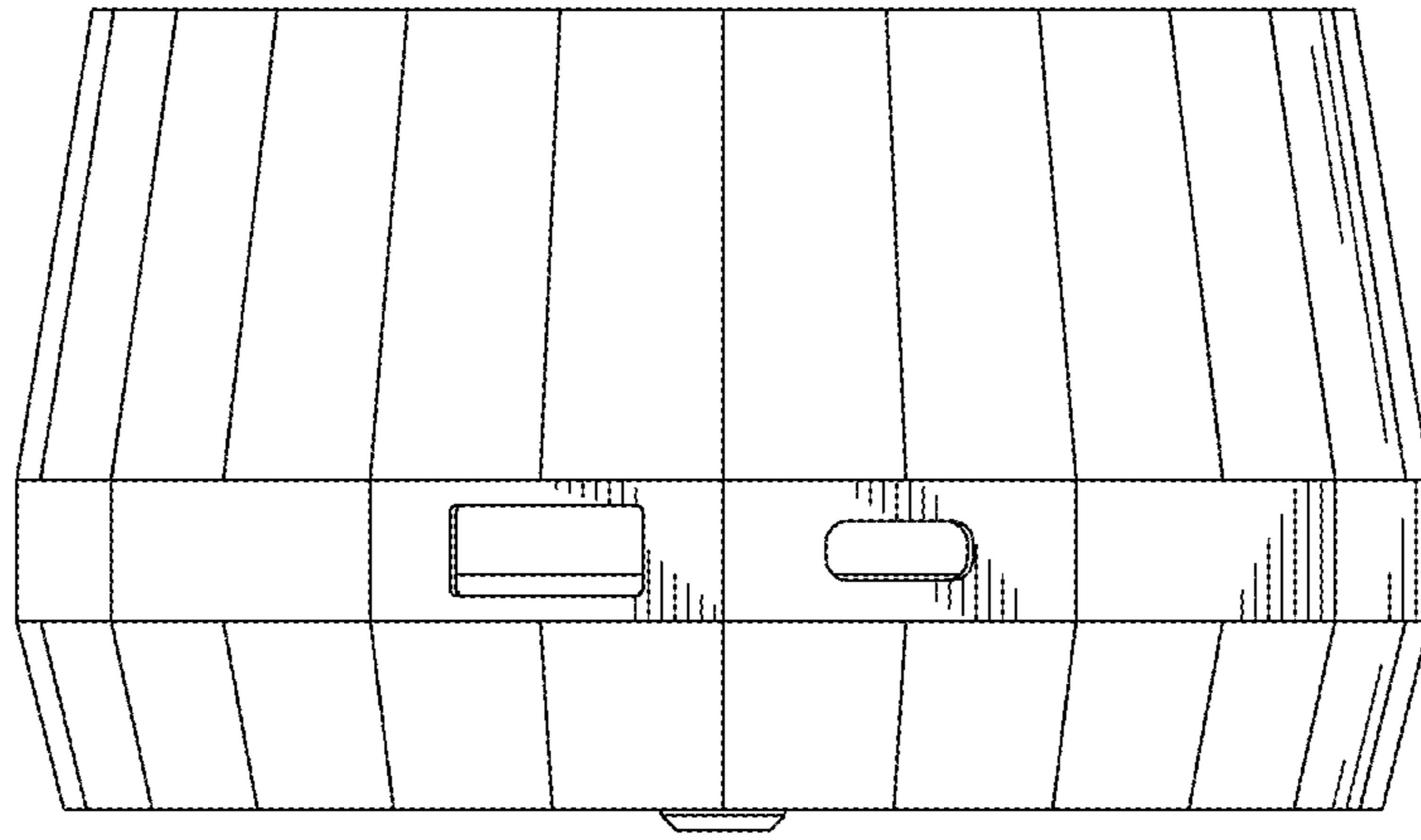


FIG. 6

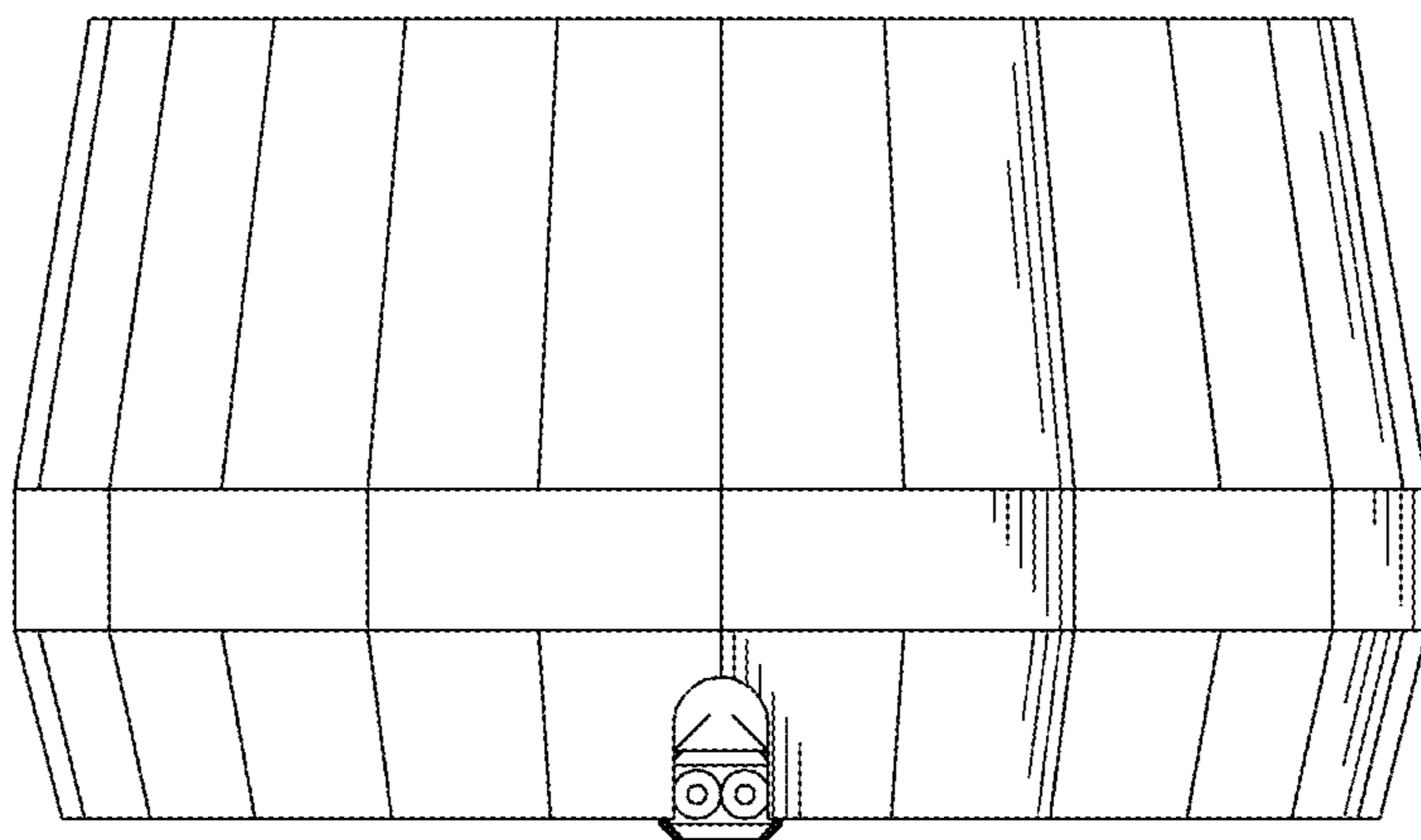


FIG. 7