



US00D897283S

(12) **United States Design Patent**  
**Sun et al.**

(10) **Patent No.:** **US D897,283 S**

(45) **Date of Patent:** **\*\* Sep. 29, 2020**

(54) **PORTABLE POWER SUPPLY**

(71) Applicant: **Shenzhen Hello Tech Energy Co., Ltd.**, Shenzhen (CN)

(72) Inventors: **Zhong-Wei Sun**, Shenzhen (CN); **Wei Bai**, Shenzhen (CN)

(73) Assignee: **Shenzhen Hello Tech Energy Co., Ltd.**, Shenzhen (CN)

(\*\*) Term: **15 Years**

(21) Appl. No.: **29/684,458**

(22) Filed: **Mar. 21, 2019**

(30) **Foreign Application Priority Data**

Feb. 27, 2019 (CN) ..... 2019 3 0078181

(51) **LOC (12) Cl.** ..... **13-02**

(52) **U.S. Cl.**  
USPC ..... **D13/108; D13/103**

(58) **Field of Classification Search**  
USPC ..... D13/103, 107, 108, 110, 137.1–137.4, D13/138.1–138.2, 139.1–139.8, 152, 154, D13/158, 171, 174, 184, 199; D14/250, D14/251, 253, 432, 434  
CPC ..... Y02E 60/12; Y02E 60/122; Y02E 60/124; Y02E 60/50; H01M 2/02; H01M 2/022; H01M 2/0202; H01M 2/0207; H01M 2/0212; H01M 2/1061; H01M 2/1022; H01M 2/1055; H01M 2/1066; H01M 2/105; H01M 2/204; H01M 2/202; H01M 2/206; H01M 10/4257; H01M 10/0436; H01M 10/48; H01M 10/44; H01M 10/46; H01M 10/465; H01M 10/482; H01R 11/00; H01R 9/00; H01R 13/00; H01R 13/04; H01R 13/10; H01R 13/6666; H01R 13/6675; H01R 25/00; H01R 25/006; H01H 2207/00; H01H 2207/022

See application file for complete search history.

(56) **References Cited**

U.S. PATENT DOCUMENTS

D815,039 S *	4/2018	Wen	.....	D13/110
D837,149 S *	1/2019	Yin	.....	D13/108
D856,924 S *	8/2019	Yang	.....	D13/108
D874,395 S *	2/2020	Sun	.....	D13/107
D874,397 S *	2/2020	Sun	.....	D13/107
D874,398 S *	2/2020	Sun	.....	D13/107
D875,037 S *	2/2020	Hung	.....	D13/107
D881,808 S *	4/2020	Sun	.....	D13/108
D883,206 S *	5/2020	Bai	.....	D13/110
D886,047 S *	6/2020	Hung	.....	D13/107

\* cited by examiner

*Primary Examiner* — Rosemary K Tarcza

*Assistant Examiner* — Christy M Nemeth

(74) *Attorney, Agent, or Firm* — ScienBiziP, P.C.

(57) **CLAIM**

The ornamental design for a portable power supply, as shown and described.

**DESCRIPTION**

FIG. 1 is a first perspective view of a portable power supply, showing our design.

FIG. 2 is a second perspective view thereof.

FIG. 3 is a front elevation view thereof.

FIG. 4 is a rear elevation view thereof.

FIG. 5 is a left side elevation view thereof.

FIG. 6 is a right side elevation view thereof.

FIG. 7 is a top plan view thereof.

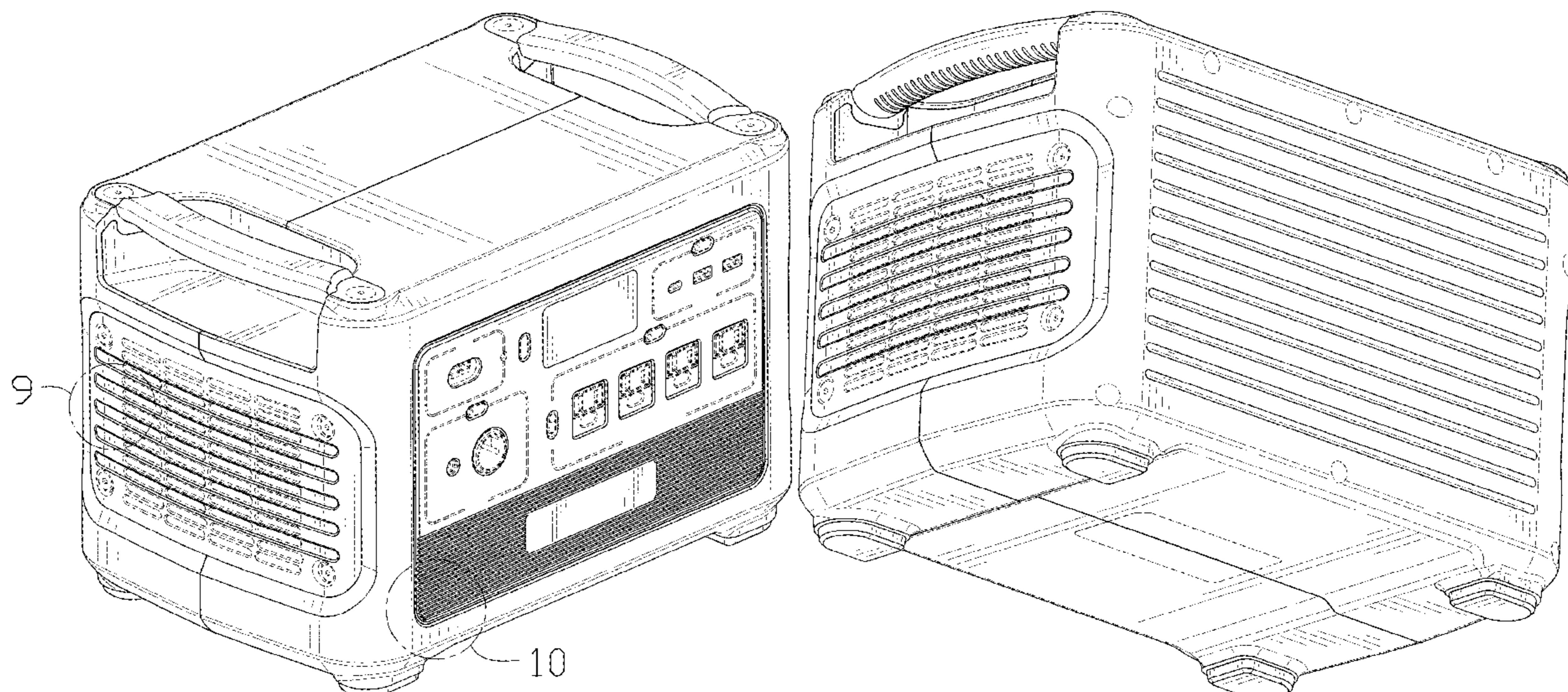
FIG. 8 is a bottom plan view thereof.

FIG. 9 is an enlarged view of a circle labeled 9 in FIG. 1 of the portable power supply; and,

FIG. 10 is an enlarged view of a circle labeled 10 in FIG. 1 of the portable power supply.

The broken lines are for environmental structure, boundaries, or illustrative purposes only and form no part of the claimed designs to be patented.

**1 Claim, 10 Drawing Sheets**



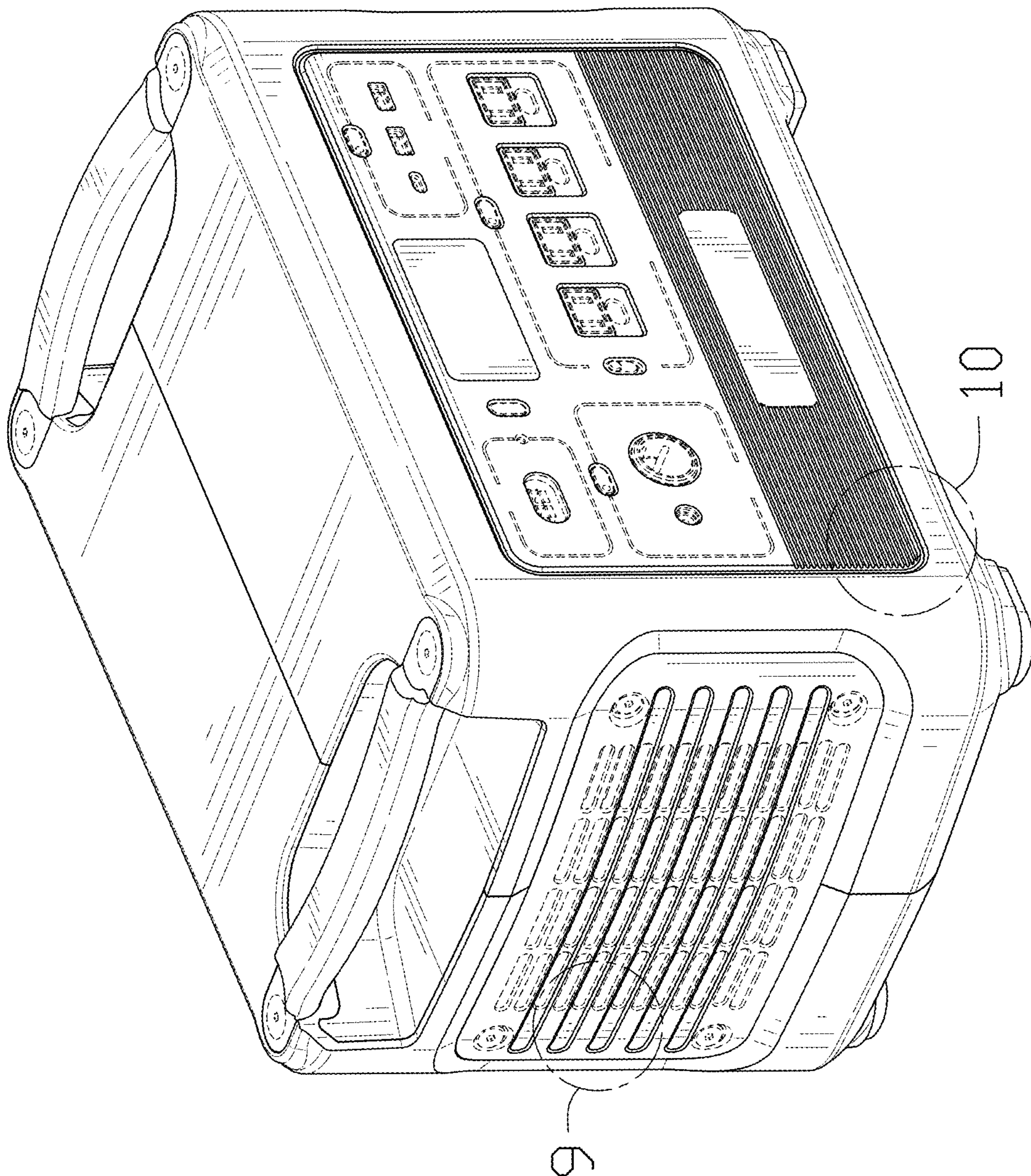


FIG. 1

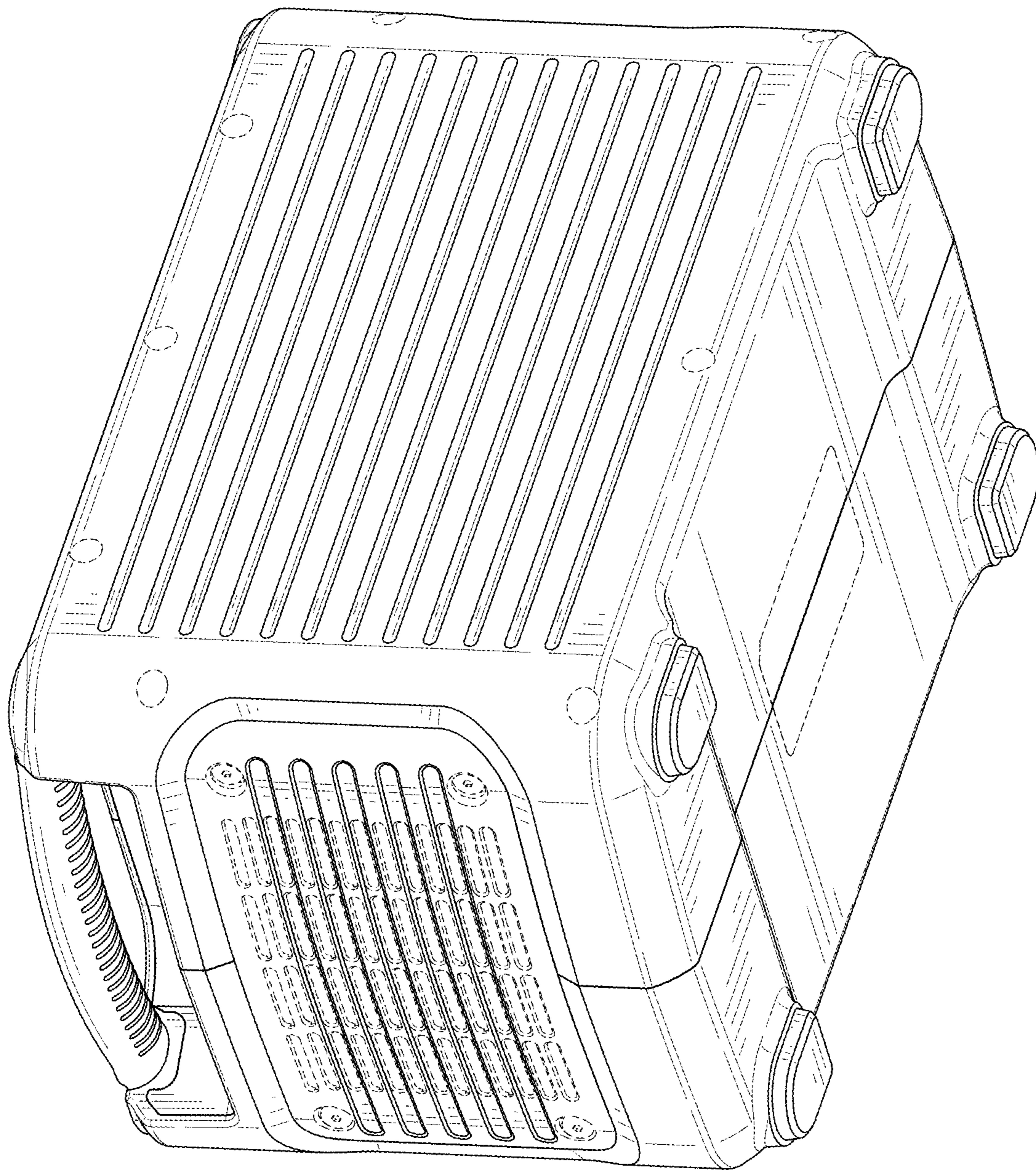


FIG. 2

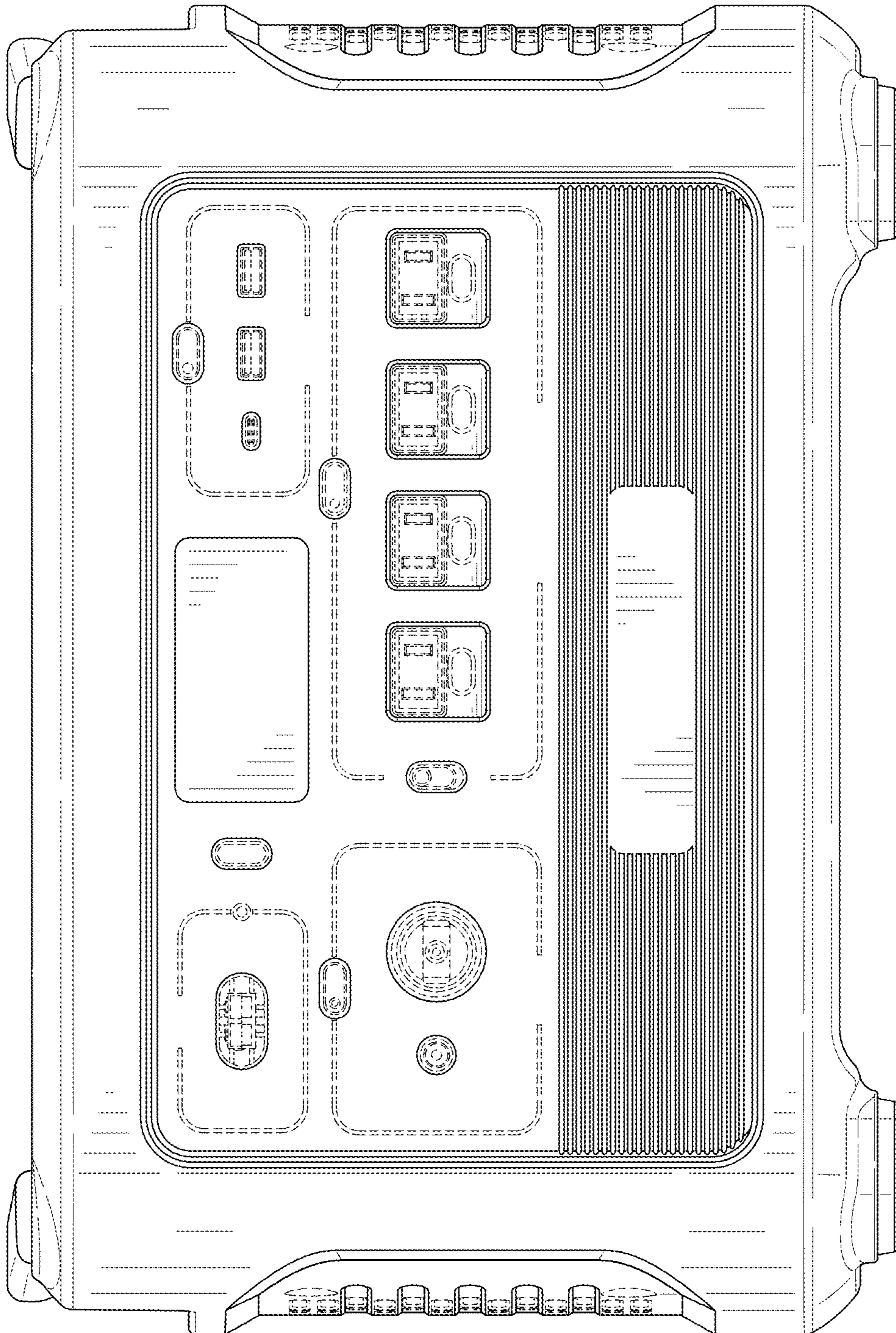


FIG. 3

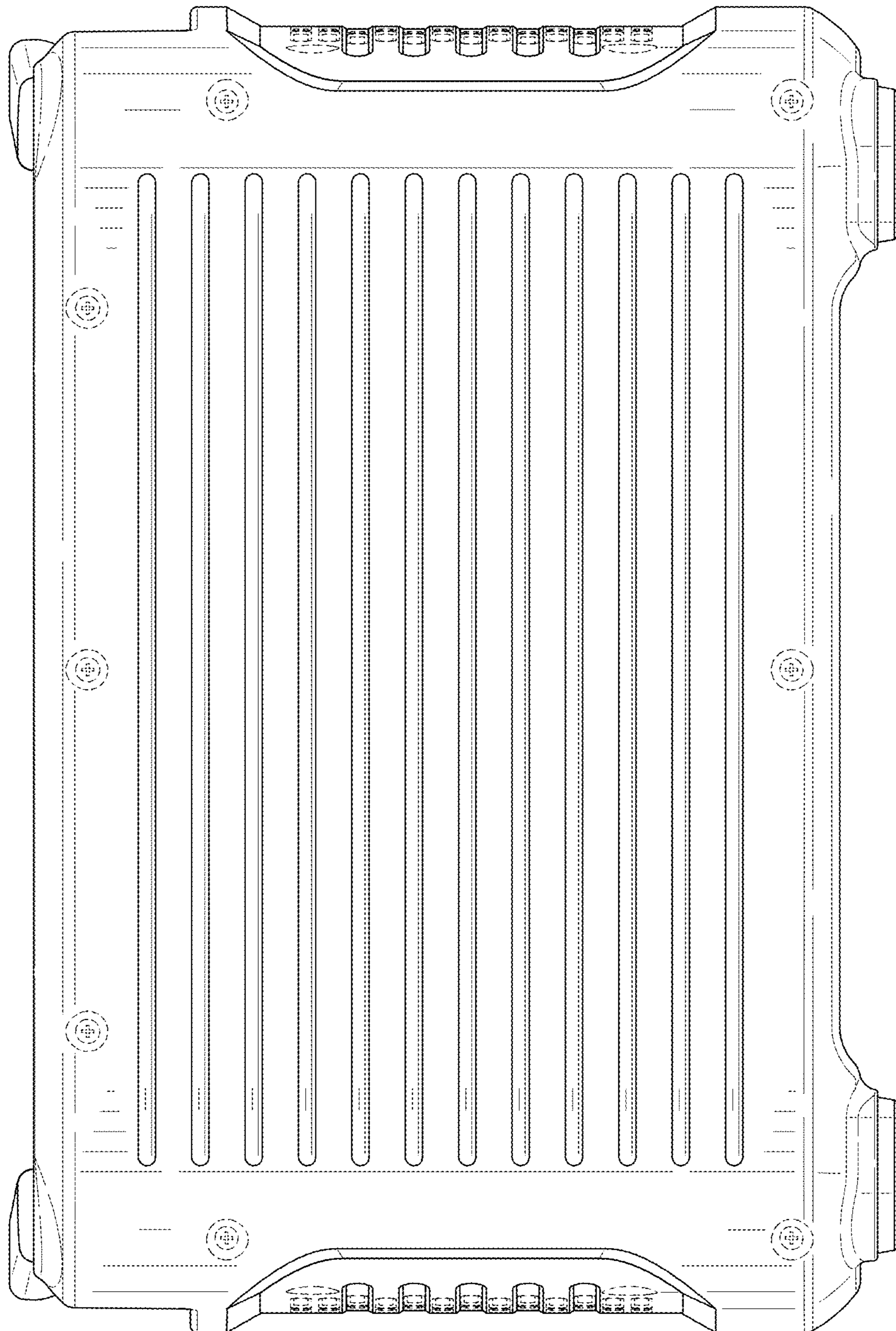


FIG. 4

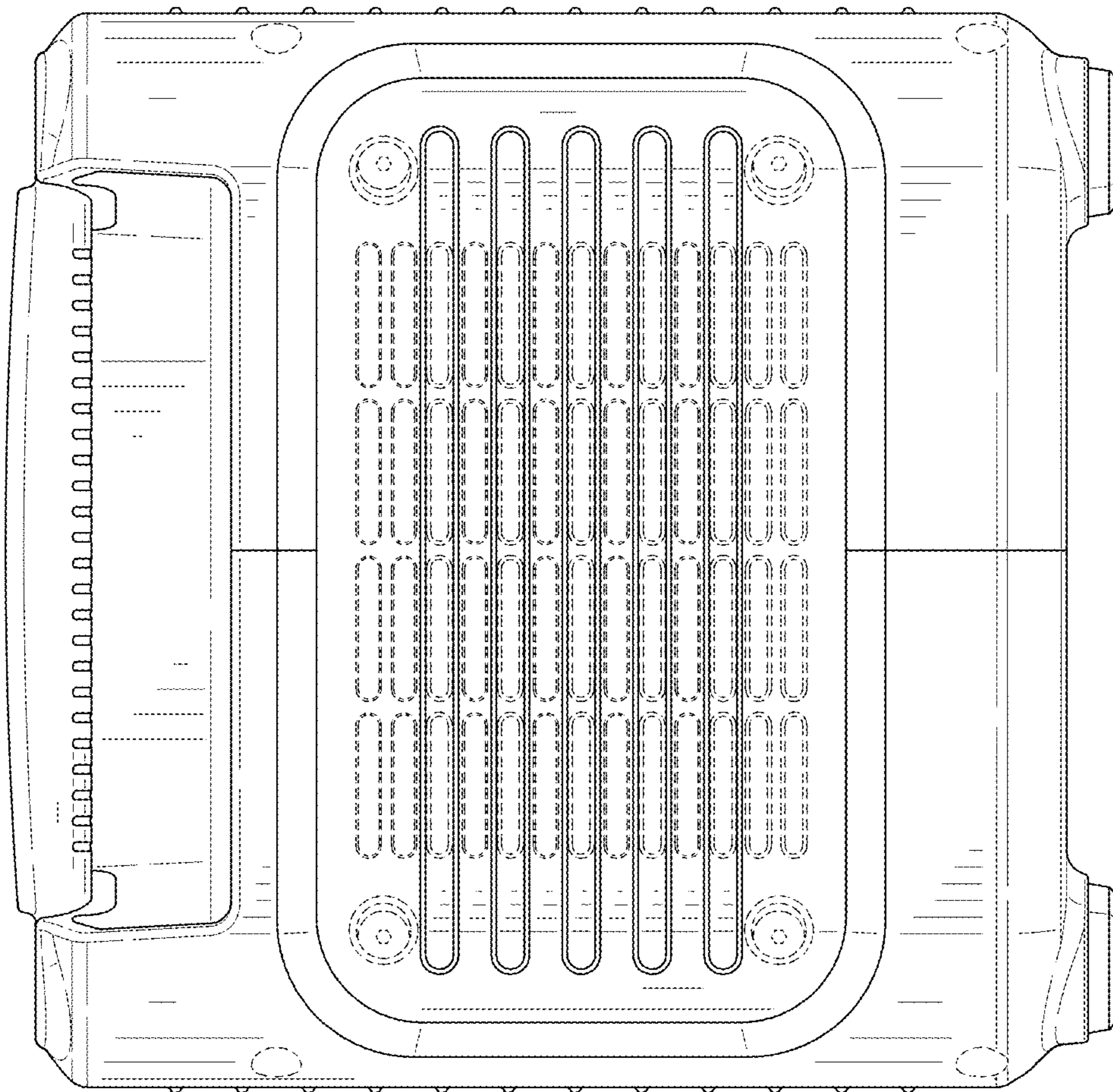


FIG. 5

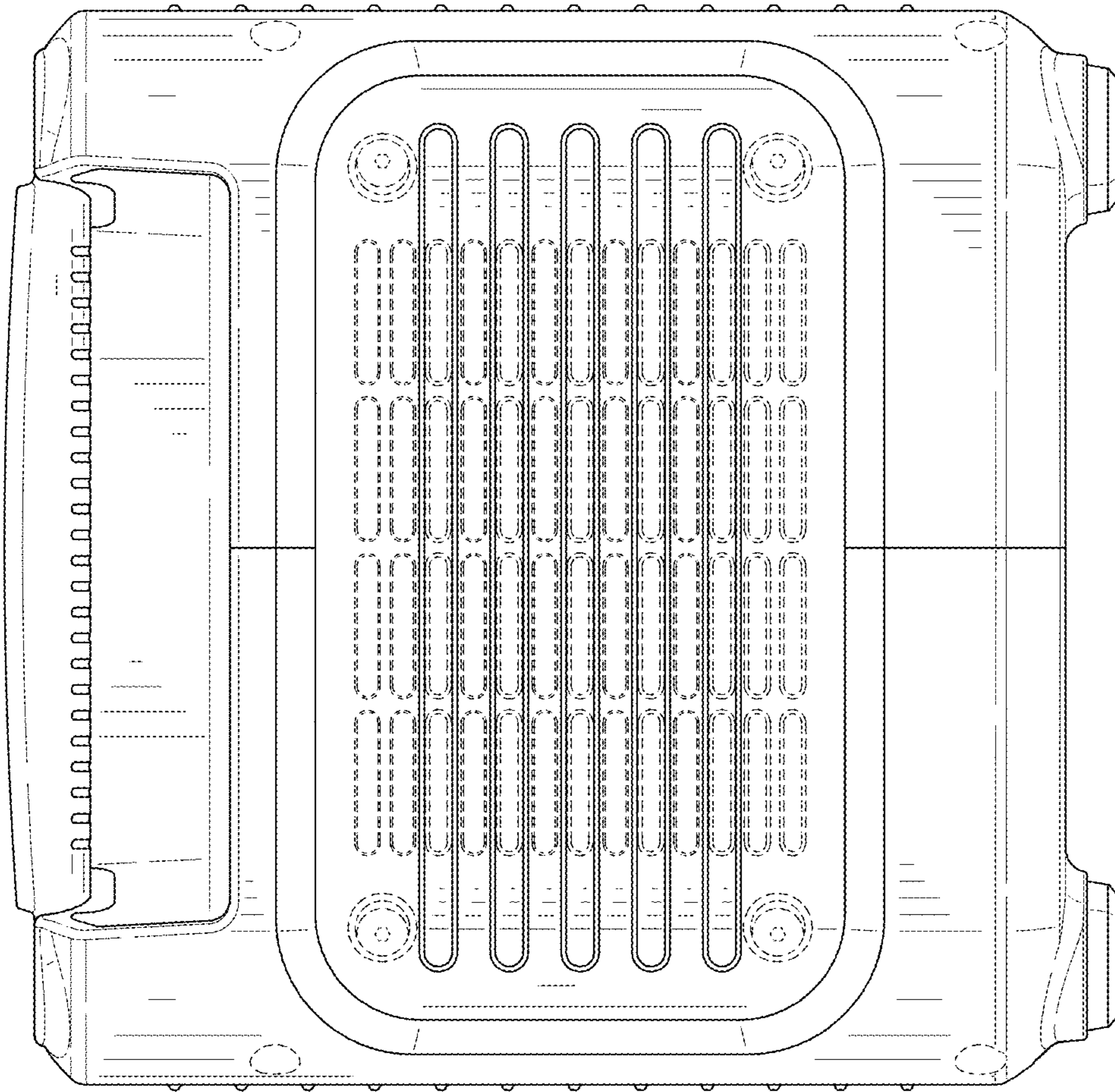


FIG. 6

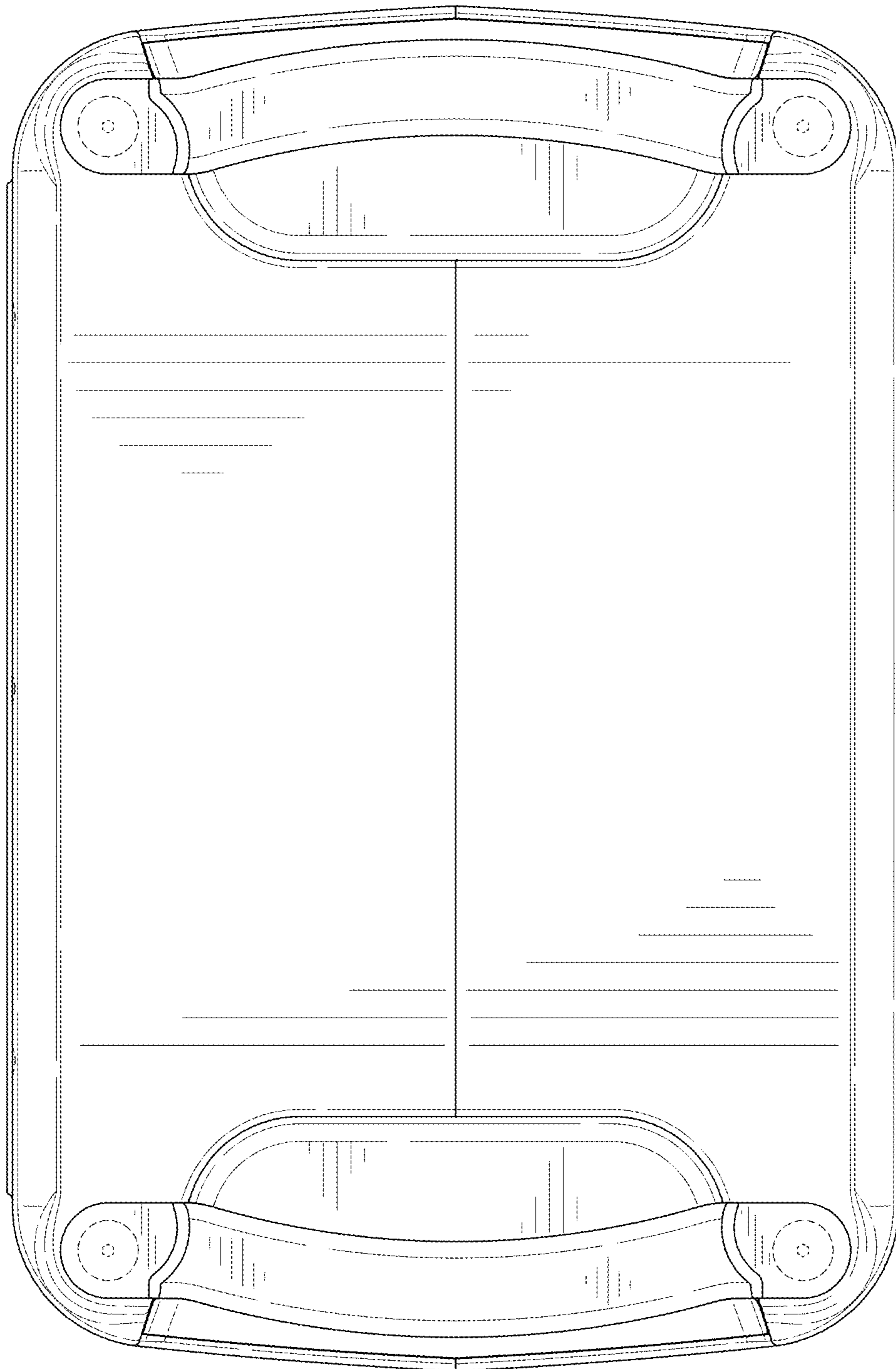


FIG. 7



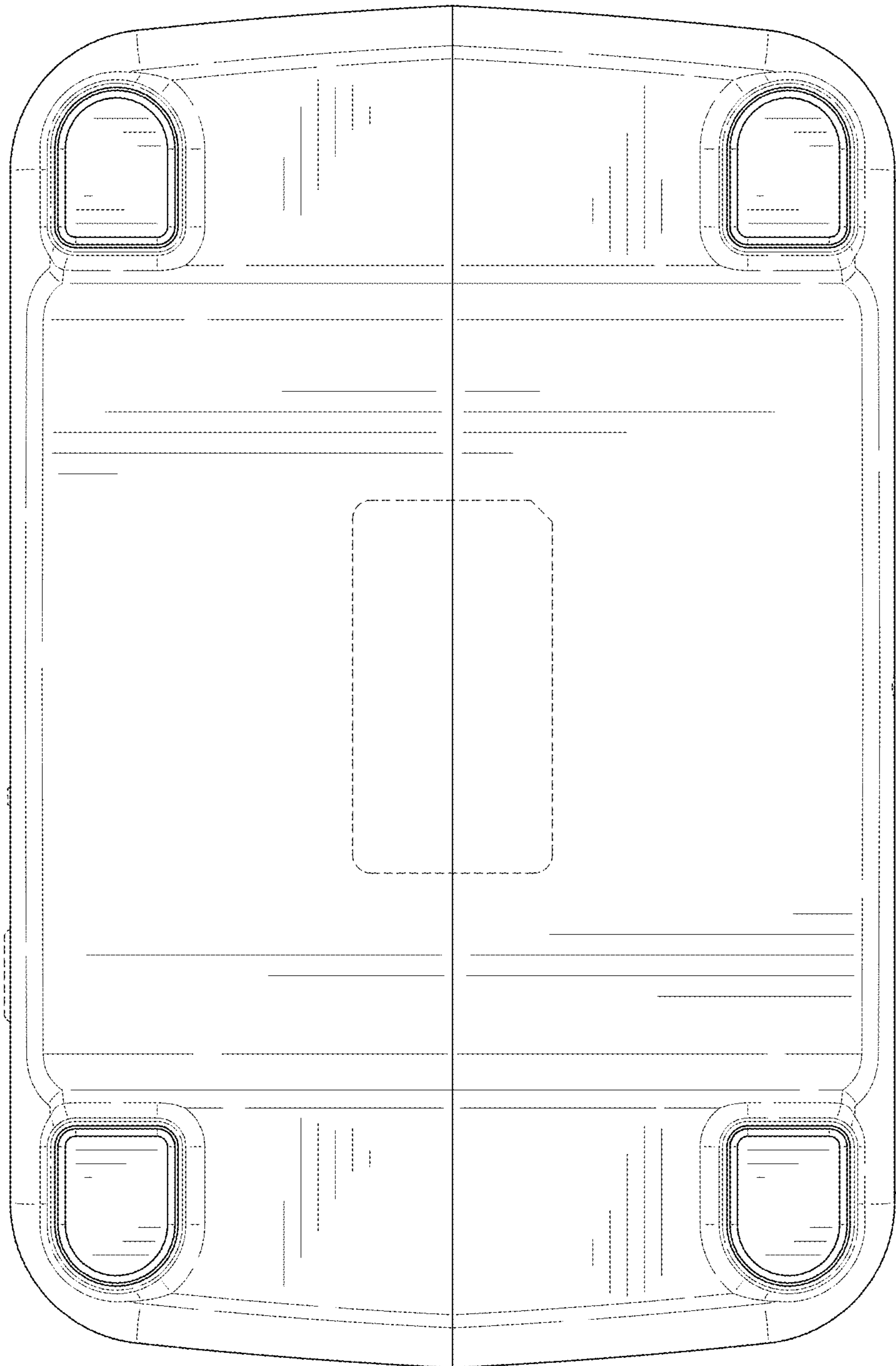


FIG. 8

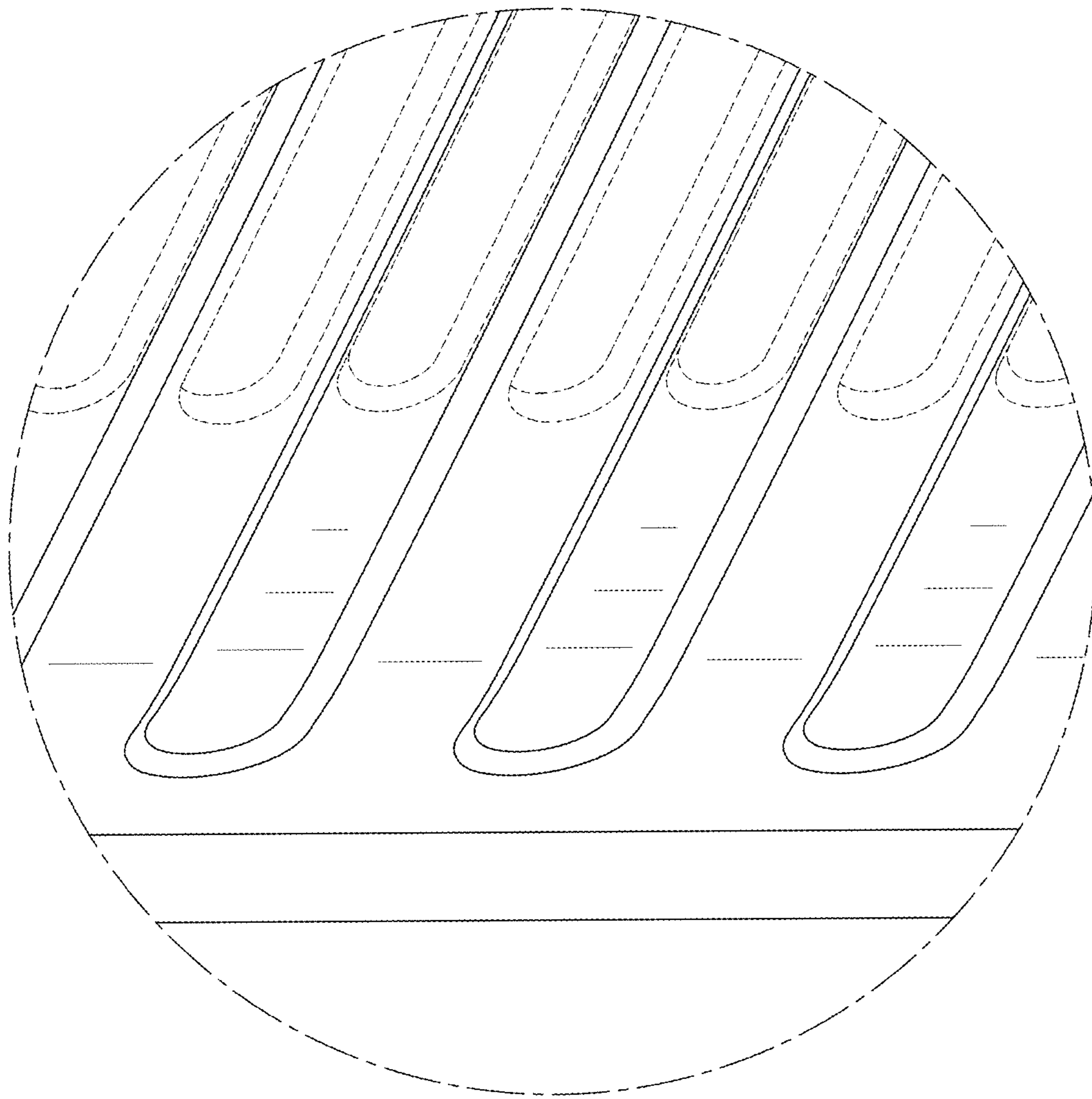


FIG. 9

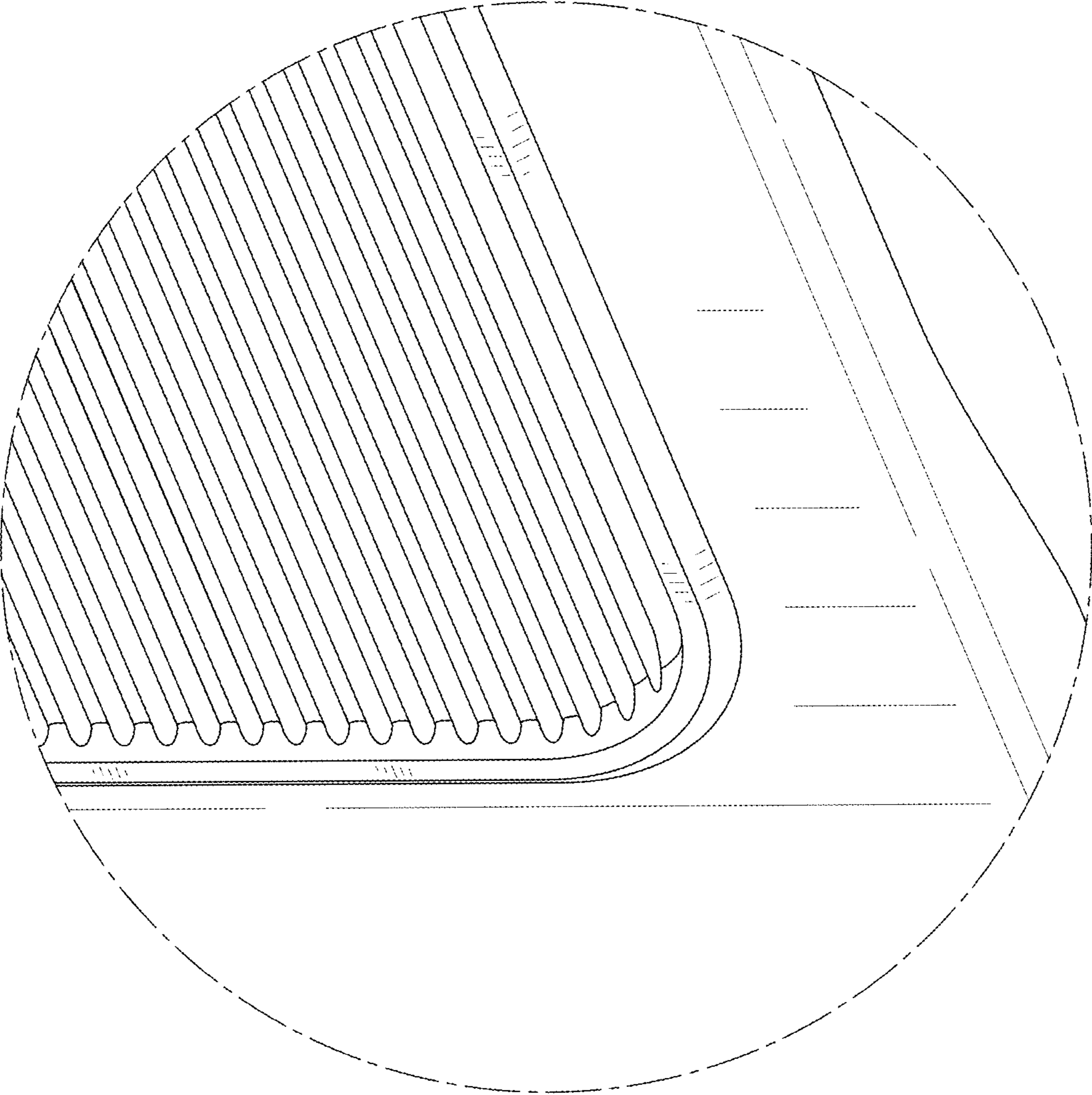


FIG. 10