



US00D897282S

(12) **United States Design Patent**
Ye et al.

(10) **Patent No.:** **US D897,282 S**
(45) **Date of Patent:** **** Sep. 29, 2020**

(54) **CHARGING BASE**

(71) Applicant: **Shenzhen Carewell Electronics Co., Ltd.**, Nanshan District, Shenzhen (CN)

(72) Inventors: **Guang Ye**, Shenzhen (CN); **Siyu Wang**, Shenzhen (CN)

(73) Assignee: **Shenzhen Carewell Electronics Co., Ltd.**, Shenzhen (CN)

(**) Term: **15 Years**

(21) Appl. No.: **29/685,319**

(22) Filed: **Mar. 27, 2019**

(30) **Foreign Application Priority Data**

Sep. 29, 2018 (CN) 2018 3 0550458

(51) **LOC (12) Cl.** **13-02**

(52) **U.S. Cl.**
USPC **D13/107**

(58) **Field of Classification Search**
USPC D13/103, 107, 108, 110, 137.1–137.4,
D13/138.1–138.2, 139.1–139.8, 152, 154,
(Continued)

(56) **References Cited**

U.S. PATENT DOCUMENTS

D521,927 S * 5/2006 Franck D13/108
D640,193 S * 6/2011 Shigeno D13/108
(Continued)

Primary Examiner — Rosemary K Tarca
Assistant Examiner — Christy M Nemeth

(74) *Attorney, Agent, or Firm* — TraskBritt

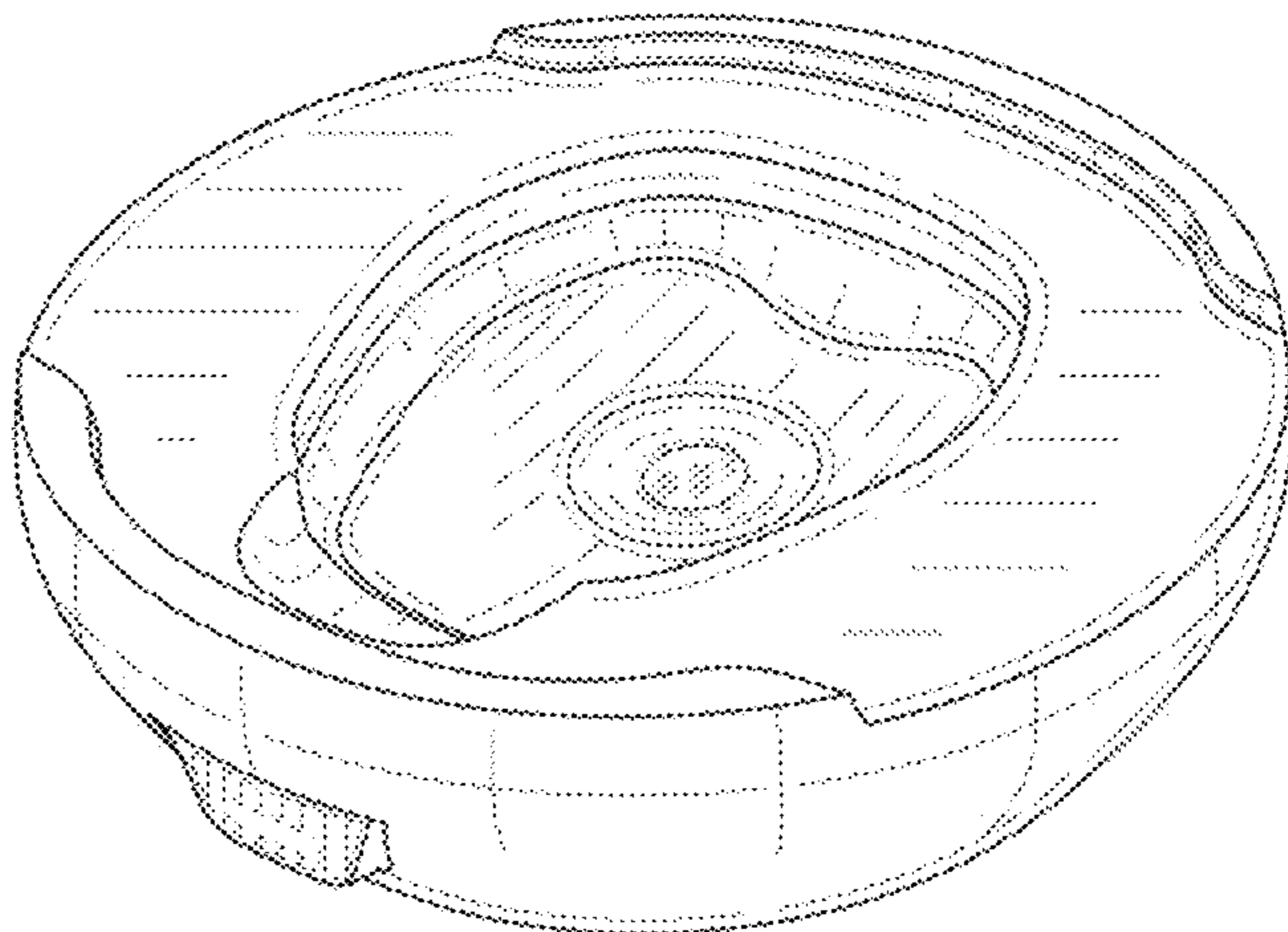
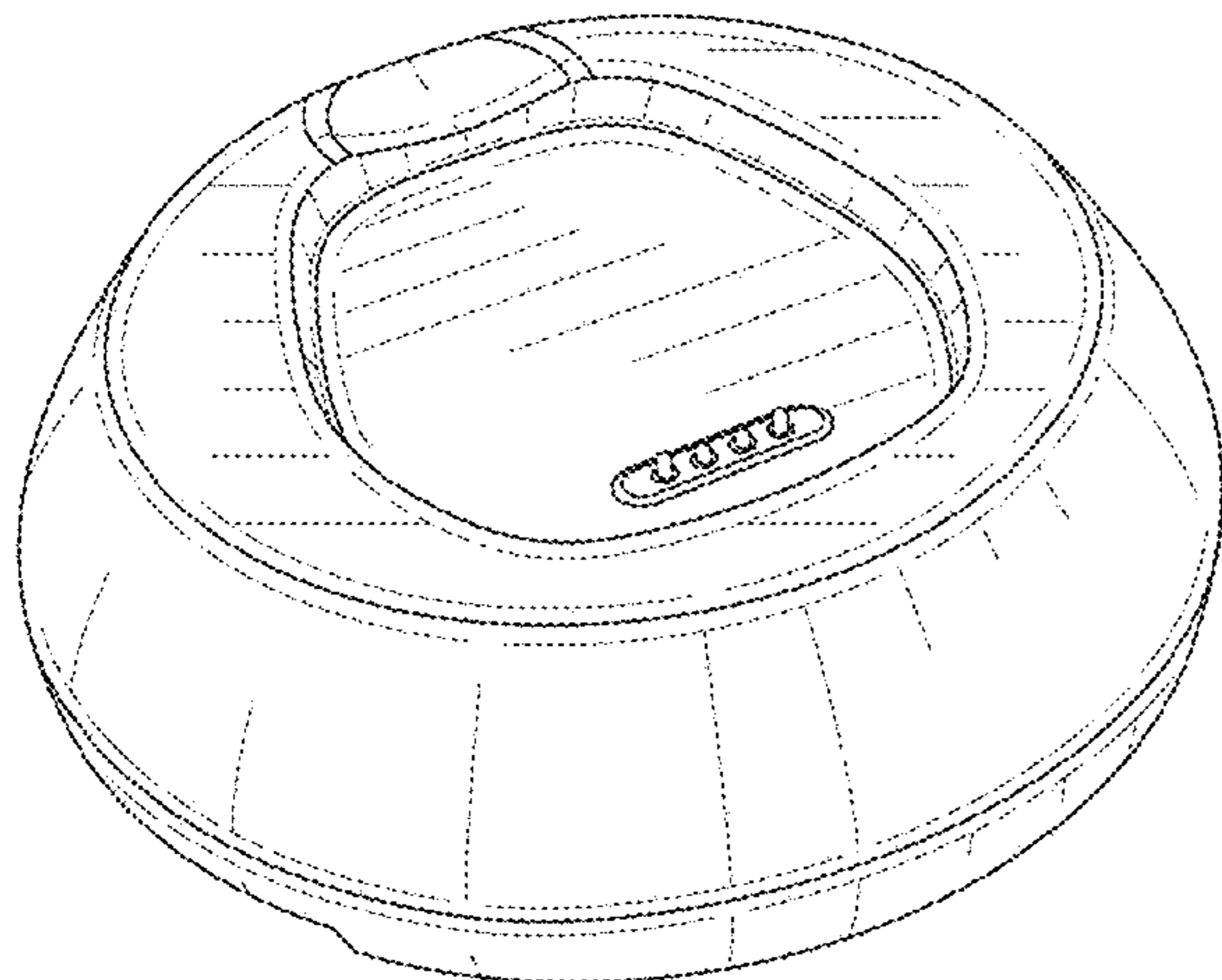
(57) **CLAIM**

The ornamental design for a charging base, as shown and described.

DESCRIPTION

FIG. 1 is a front view of a charging base showing a first embodiment of our new design;
FIG. 2 is a back view of the charging base shown in FIG. 1;
FIG. 3 is a left side view of the charging base shown in FIG. 1;
FIG. 4 is a right side view of the charging base shown in FIG. 1;
FIG. 5 is a top view of the charging base shown in FIG. 1;
FIG. 6 is a bottom view of the charging base shown in FIG. 1;
FIG. 7 is a top perspective view of the charging base shown in FIG. 1;
FIG. 8 is a bottom perspective view of the charging base shown in FIG. 1;
FIG. 9 is a front view of a charging base showing a second embodiment of our new design;
FIG. 10 is a back view of the charging base shown in FIG. 9;
FIG. 11 is a left side view of the charging base shown in FIG. 9;
FIG. 12 is a right side view of the charging base shown in FIG. 9;
FIG. 13 is a top view of the charging base shown in FIG. 9;
FIG. 14 is a bottom view of the charging base shown in FIG. 9;
FIG. 15 is a top perspective view of the charging base shown in FIG. 9; and,
FIG. 16 is a bottom perspective view of the charging base shown in FIG. 9.
The broken lines in the drawings are for the purpose of illustrating portions of the charging base that form no part of the claimed design.

1 Claim, 16 Drawing Sheets



(58) **Field of Classification Search**

USPC D13/158, 171, 174, 184, 199; D14/250,
 D14/251, 253, 432, 434
 CPC Y02E 60/12; Y02E 60/122; Y02E 60/124;
 Y02E 60/50; H01M 2/02; H01M 2/022;
 H01M 2/0202; H01M 2/0207; H01M
 2/0212; H01M 2/1061; H01M 2/1022;
 H01M 2/1055; H01M 2/1066; H01M
 2/105; H01M 2/204; H01M 2/202; H01M
 2/206; H01M 10/4257; H01M 10/0436;
 H01M 10/48; H01M 10/44; H01M 10/46;
 H01M 10/465; H01M 10/482; H01R
 11/00; H01R 9/00; H01R 13/00; H01R
 13/04; H01R 13/10; H01R 13/6666;
 H01R 13/6675; H01R 25/00; H01R
 25/006; H01H 2207/00; H01H 2207/022
 See application file for complete search history.

(56) **References Cited**

U.S. PATENT DOCUMENTS

D640,248 S * 6/2011 Baumann D14/253
 D717,244 S * 11/2014 Reishus D13/108

D802,529 S * 11/2017 Andersson D13/108
 D806,019 S * 12/2017 Wang D13/107
 D810,015 S * 2/2018 Carreon D13/108
 D817,268 S * 5/2018 Symons D13/108
 D821,970 S * 7/2018 Loermann D13/107
 D830,298 S * 10/2018 Bailey D13/108
 D832,859 S * 11/2018 Charlesworth D14/451
 D839,189 S * 1/2019 Miller D13/108
 D841,573 S * 2/2019 Tyrrell D13/103
 D844,698 S * 4/2019 Isaacs D18/12
 D850,365 S * 6/2019 Loermann D13/107
 D850,370 S * 6/2019 Lee D13/108
 D850,372 S * 6/2019 Kong D13/108
 D869,393 S * 12/2019 Urasini D13/108
 D870,040 S * 12/2019 Wu D13/108
 D870,665 S * 12/2019 Schubert D13/108
 D878,291 S * 3/2020 Pupecki D13/108
 D879,298 S * 3/2020 Byung D24/165
 D883,200 S * 5/2020 Wong D13/108
 D883,205 S * 5/2020 Xie D13/110
 D884,610 S * 5/2020 Heath D13/107
 D886,052 S * 6/2020 Albay D13/108

* cited by examiner

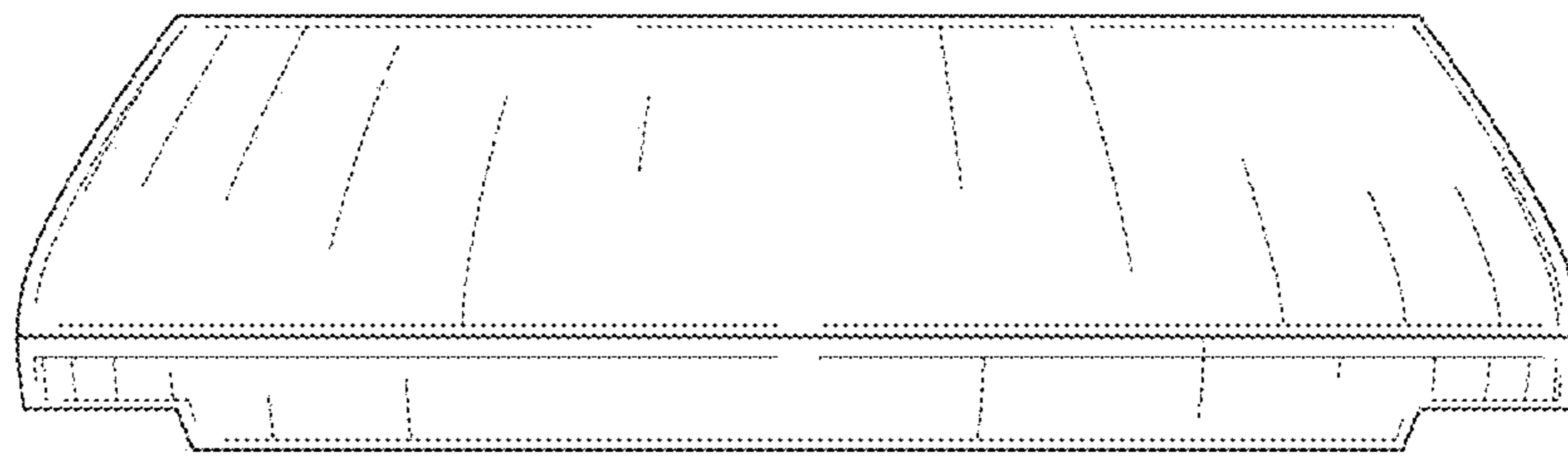


FIG. 1

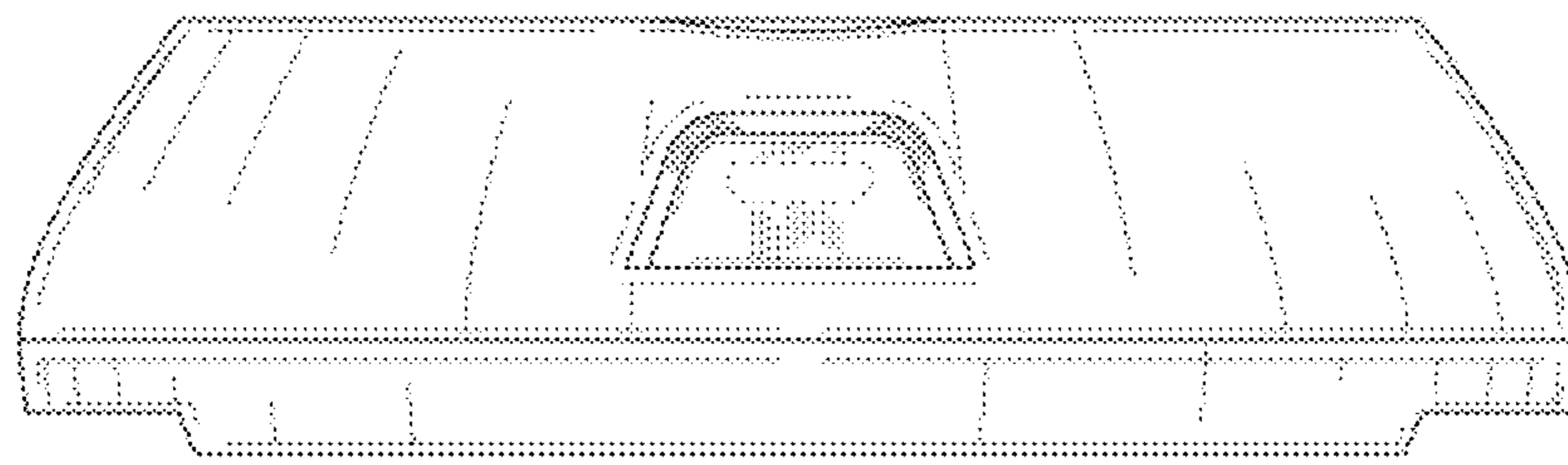


FIG. 2

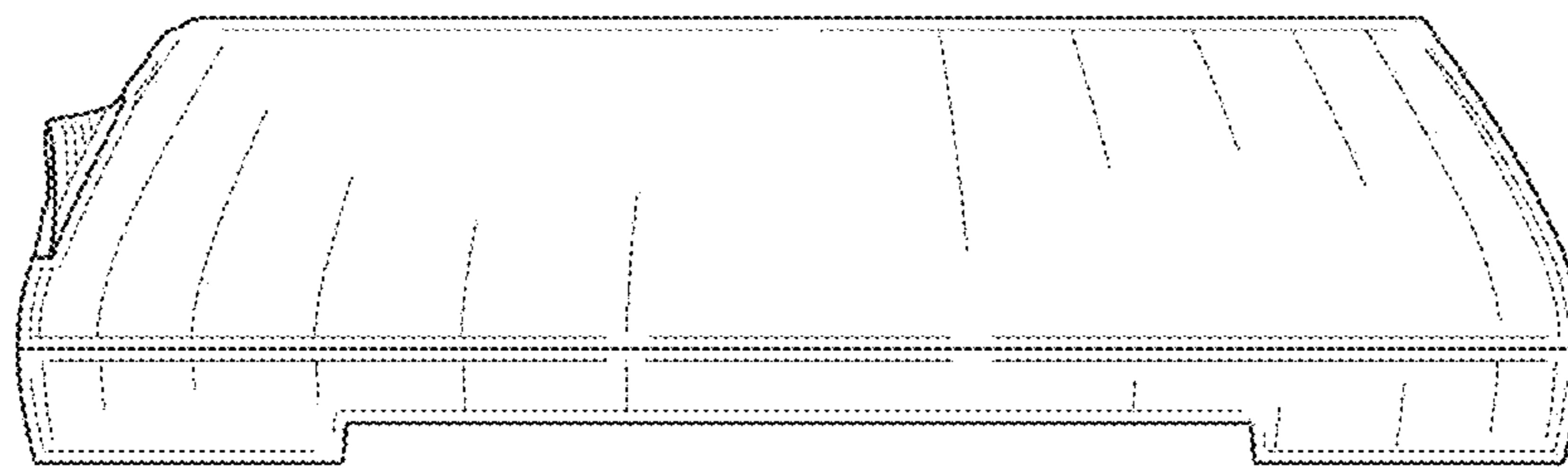


FIG. 3

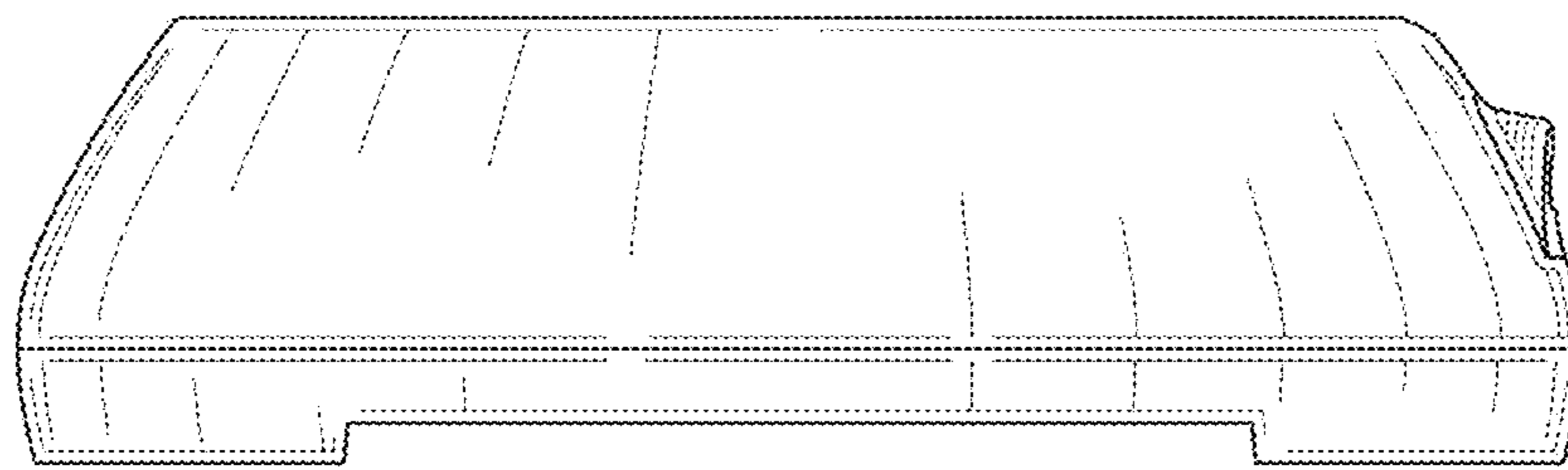


FIG. 4

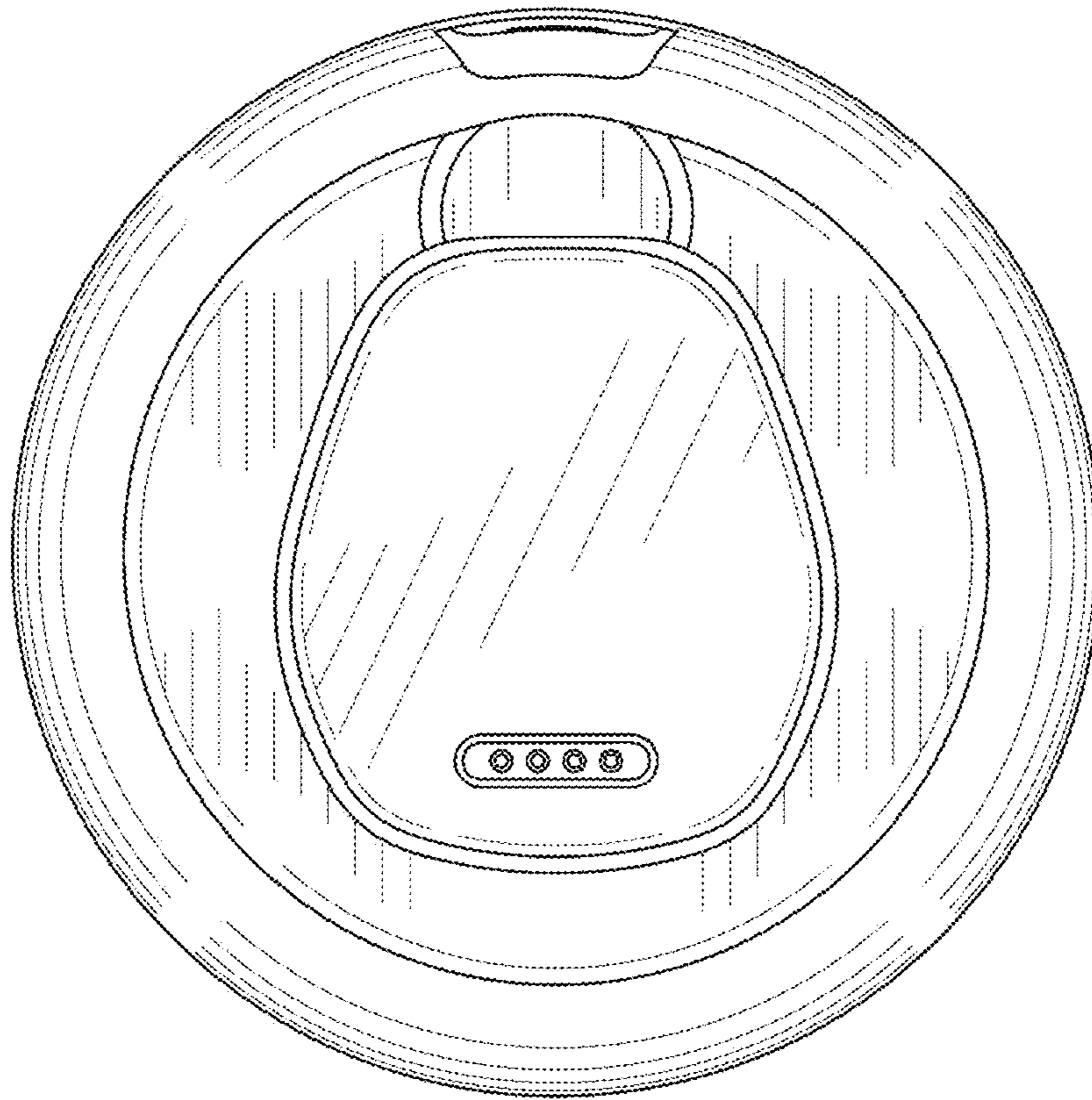


FIG. 5

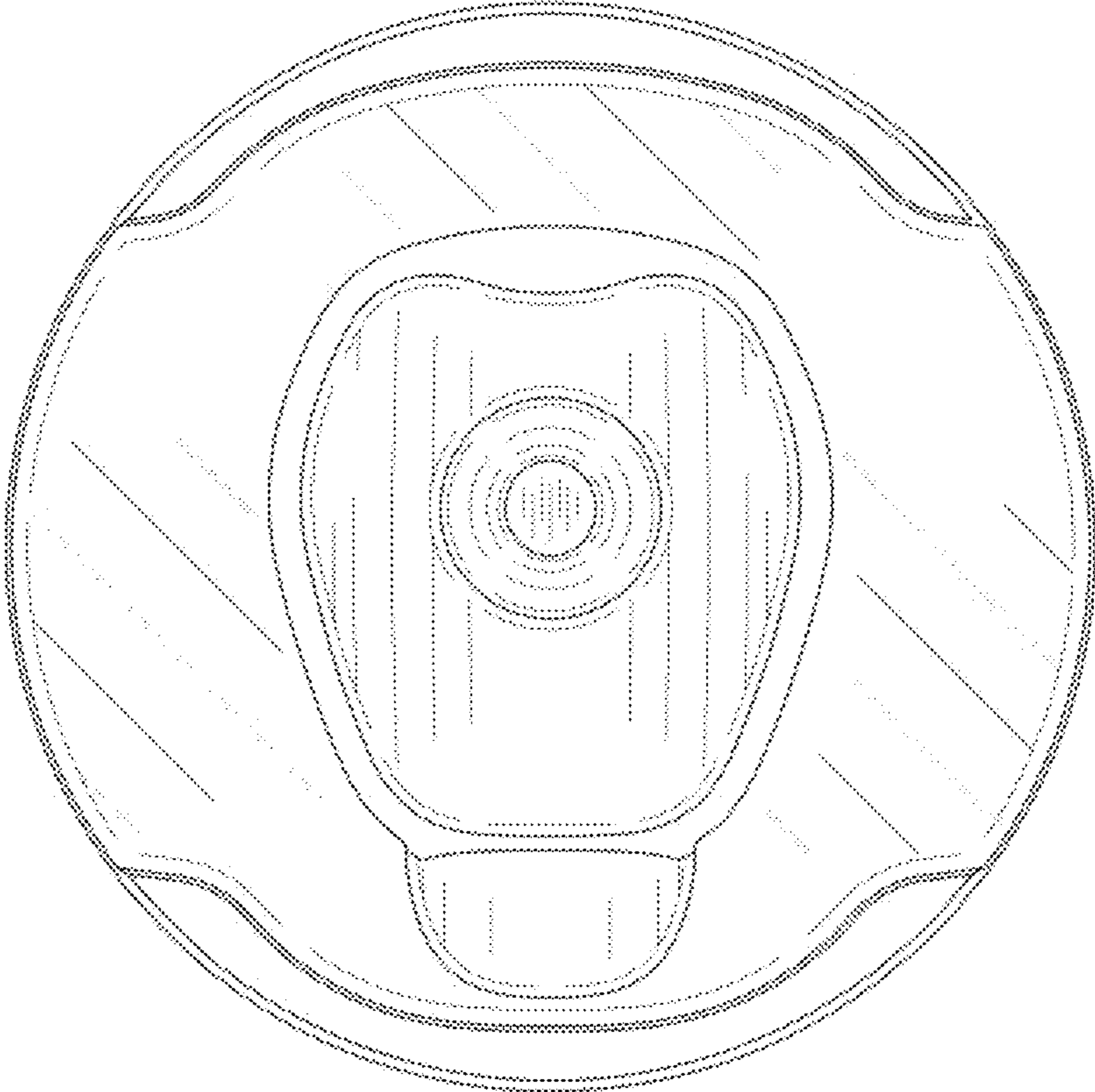


FIG. 6

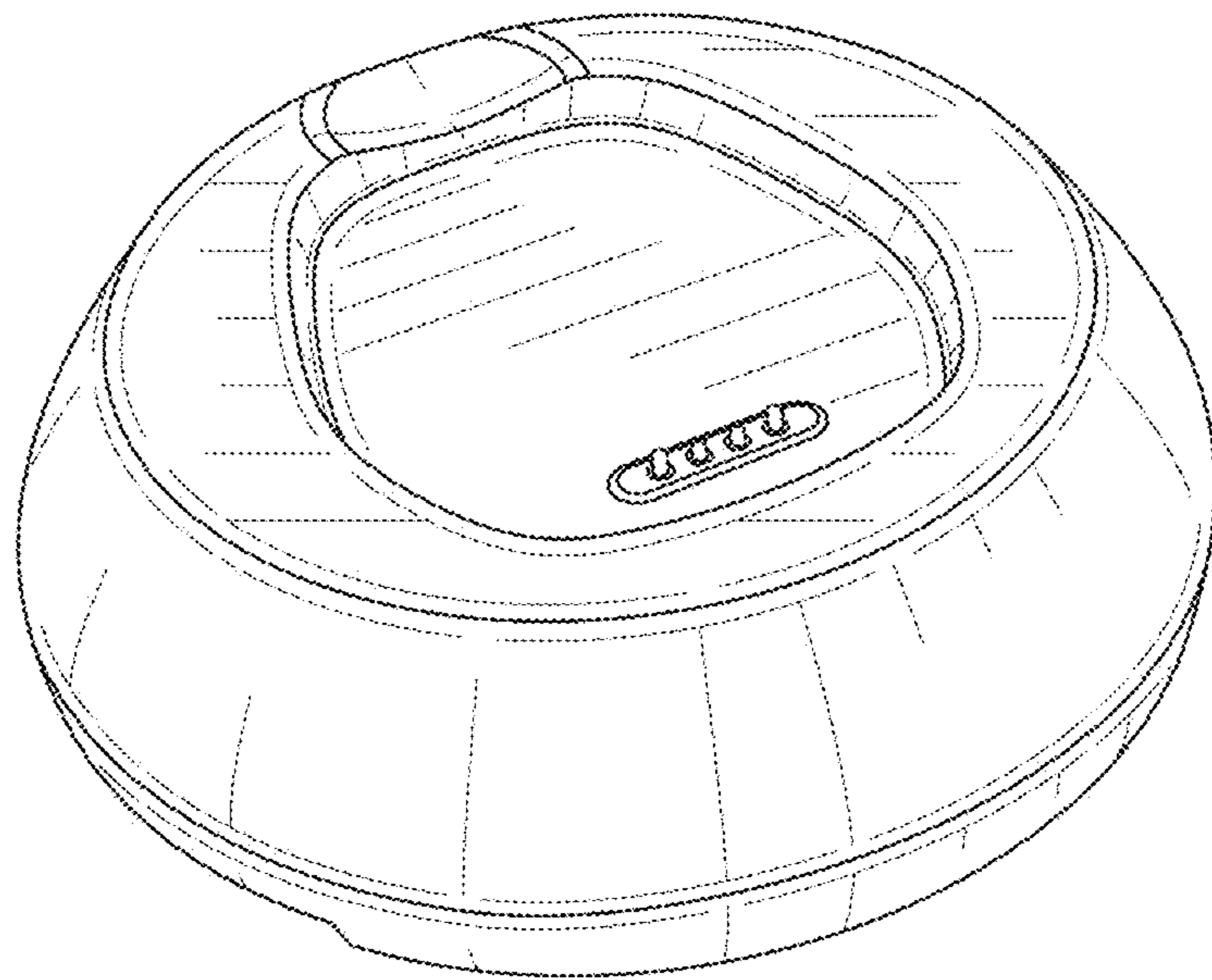


FIG. 7

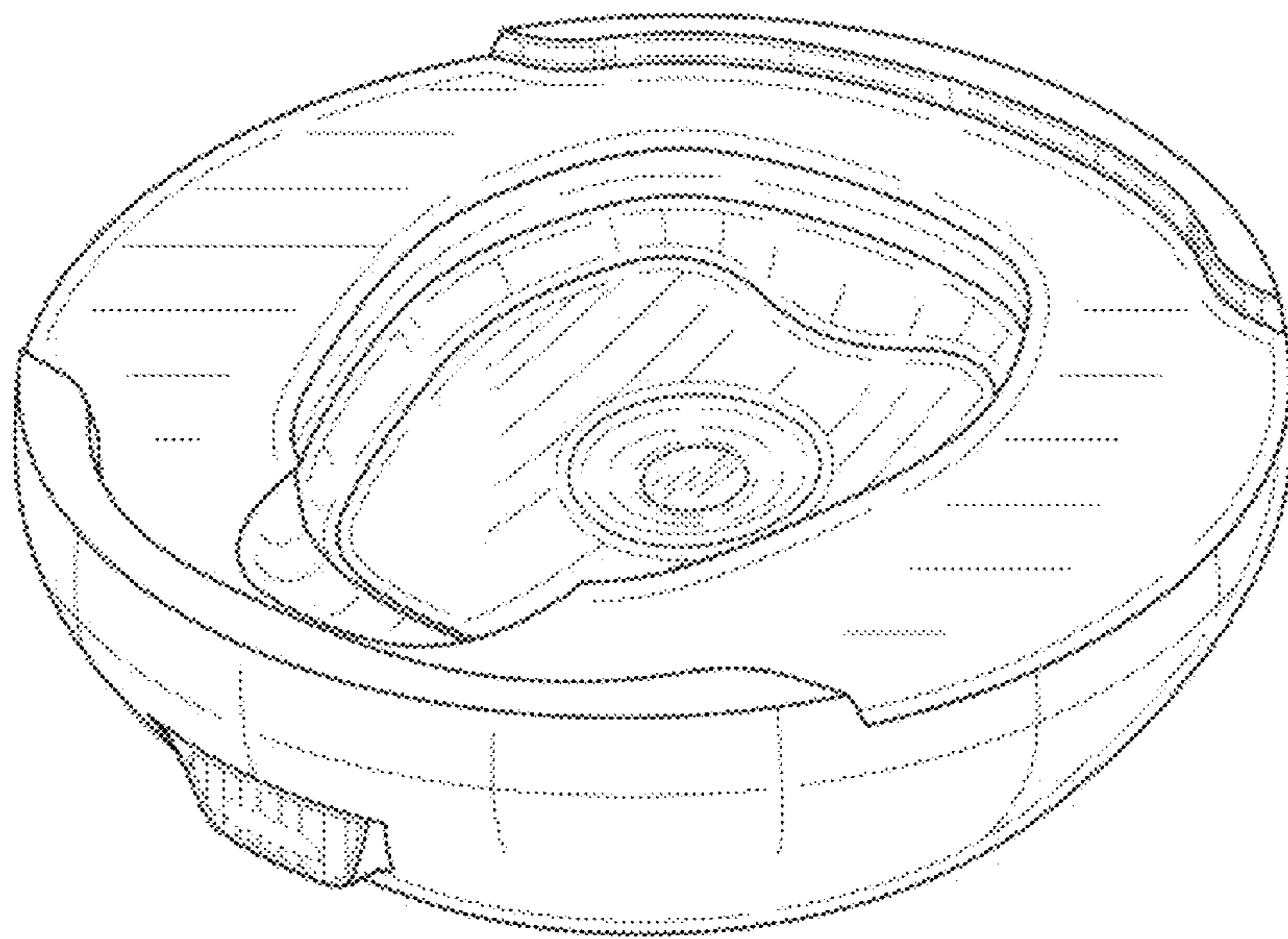


FIG. 8

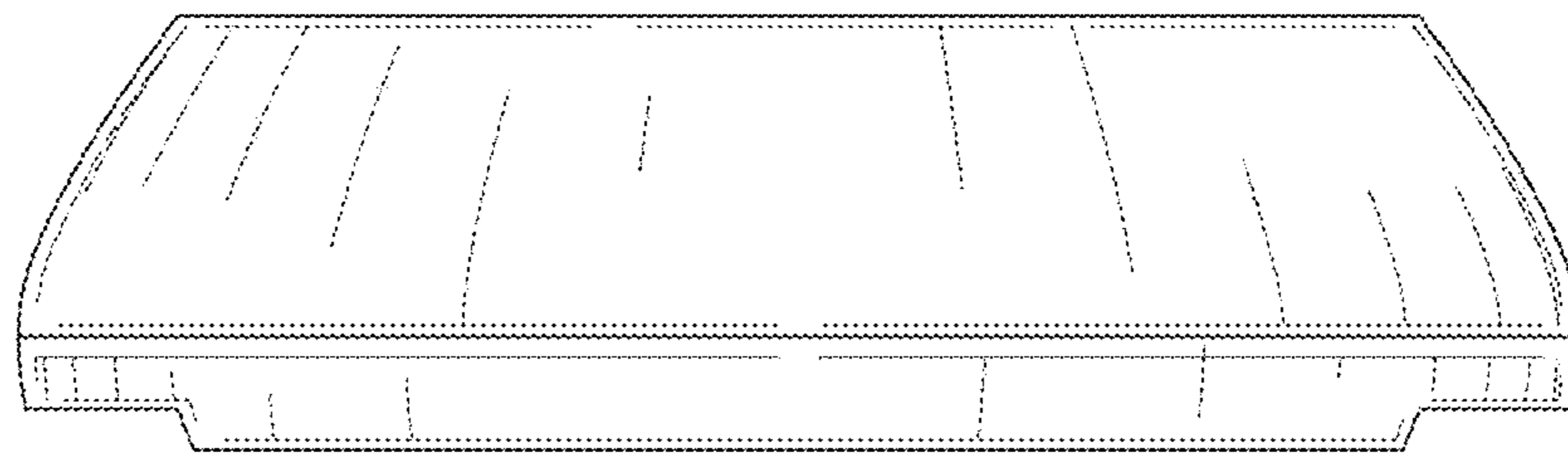


FIG. 9

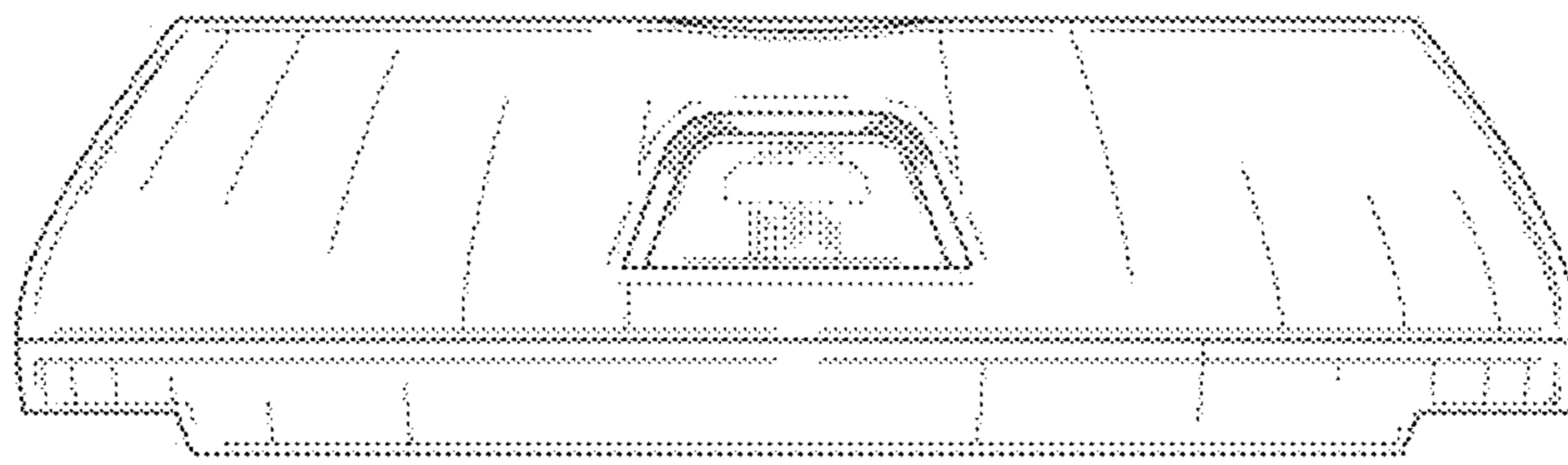


FIG. 10

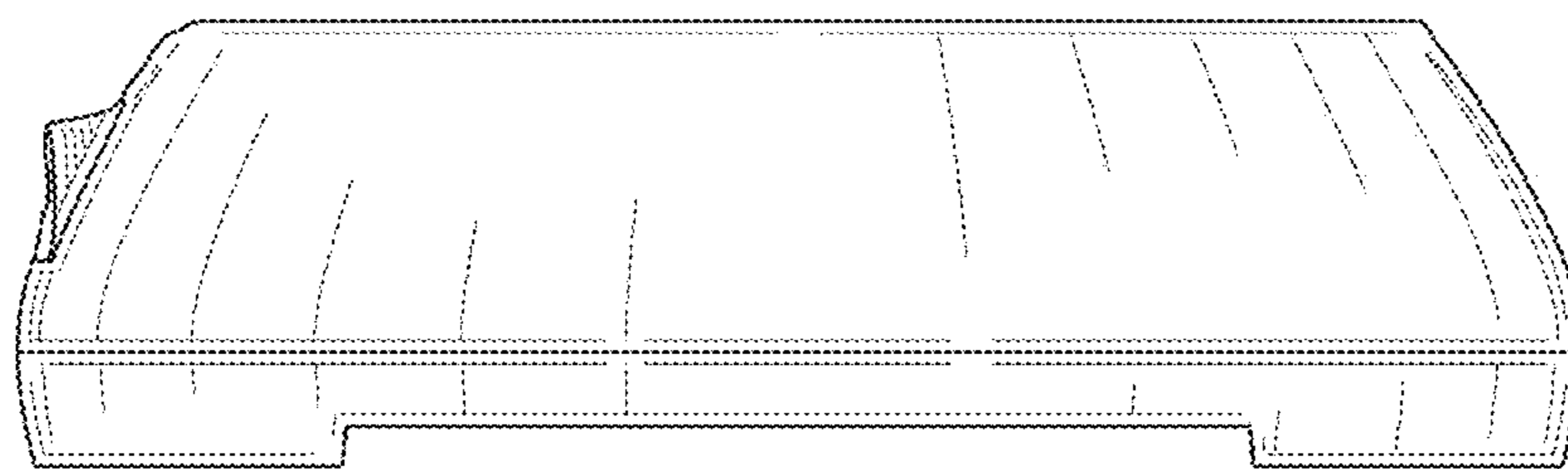


FIG. 11

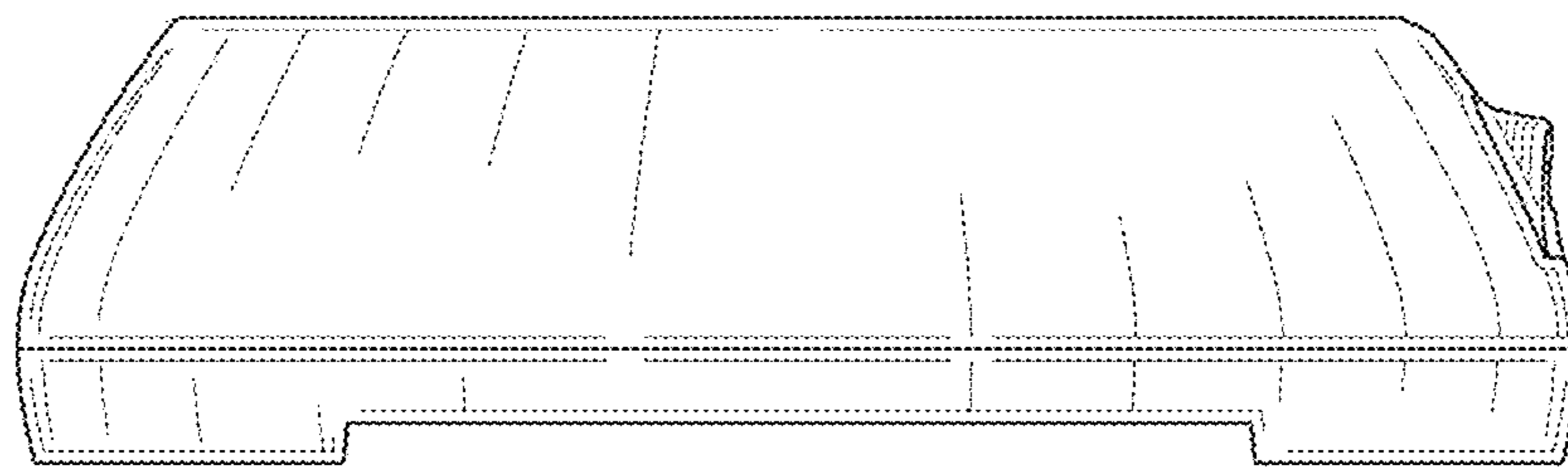


FIG. 12

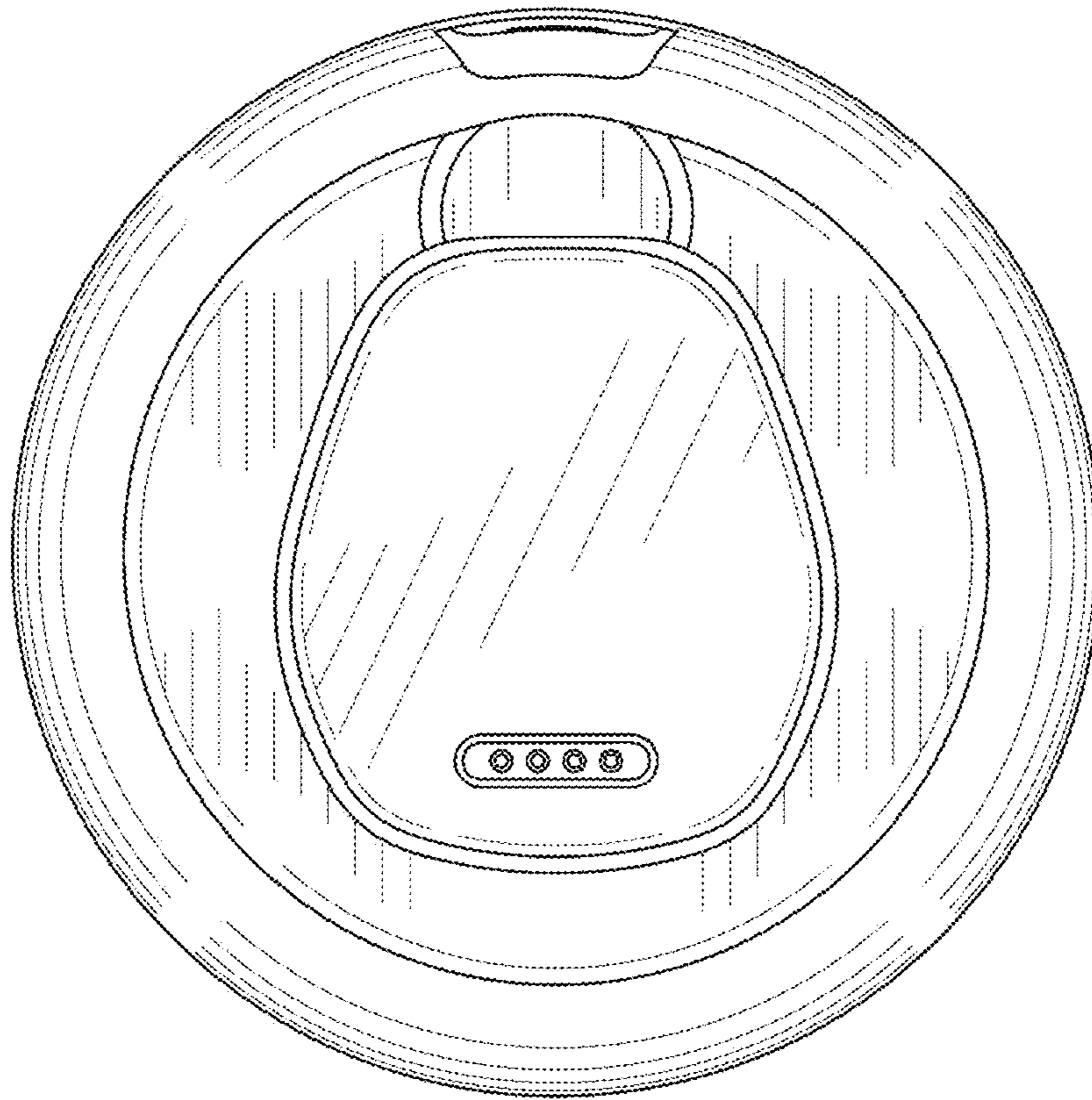


FIG. 13

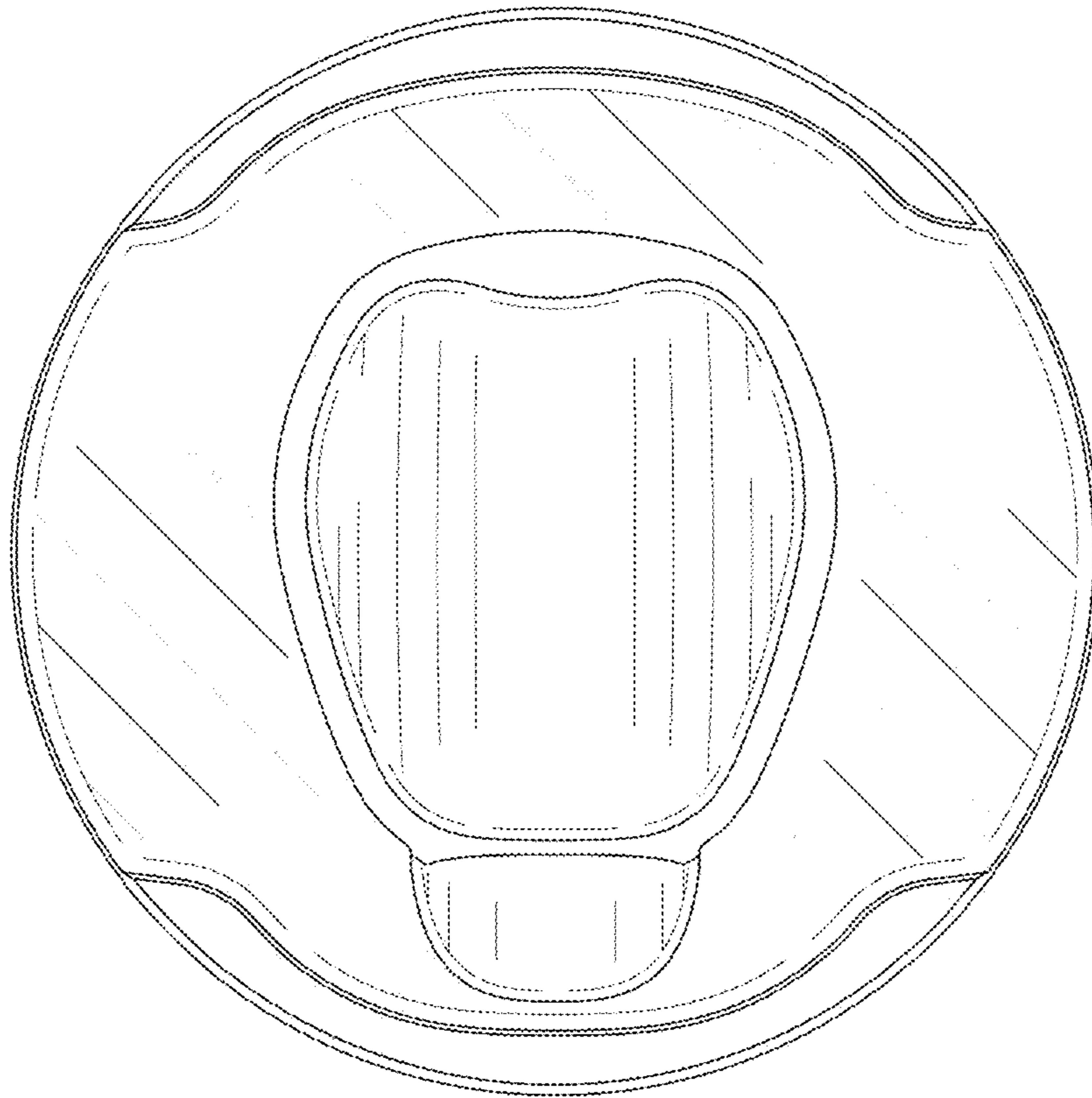


FIG. 14

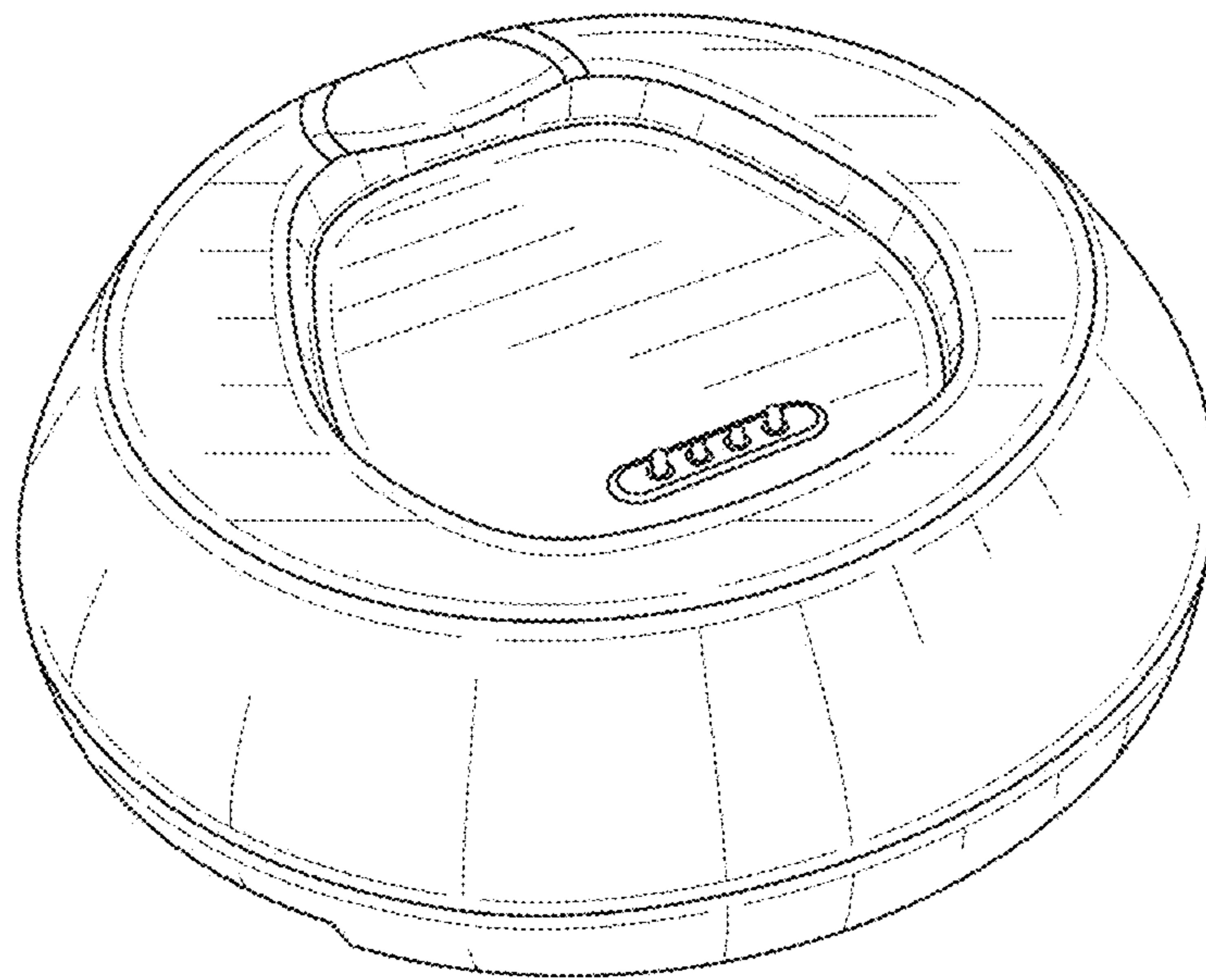


FIG. 15

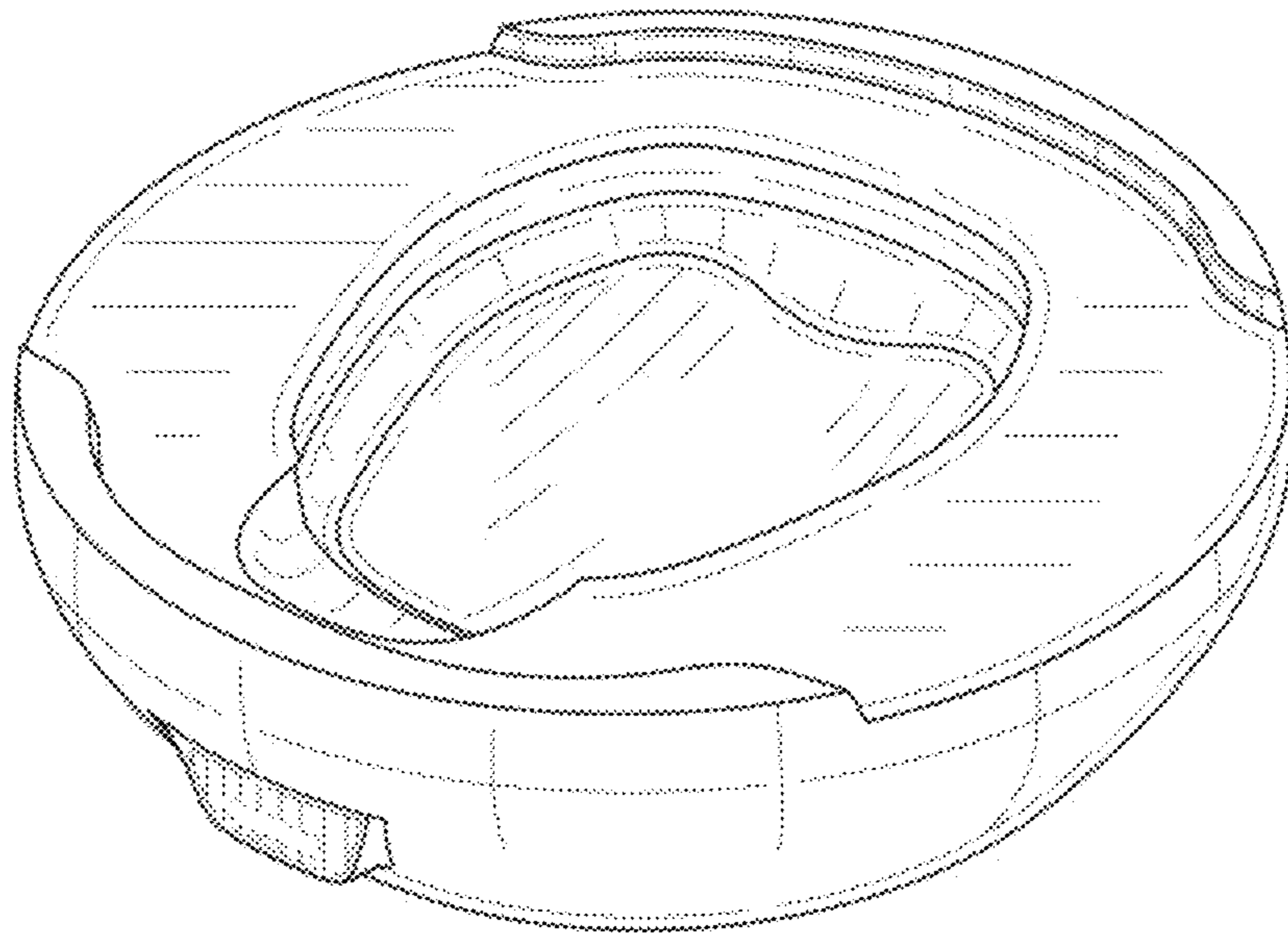


FIG. 16