



US00D897281S

(12) **United States Design Patent**
Shum

(10) **Patent No.:** **US D897,281 S**

(45) **Date of Patent:** **** Sep. 29, 2020**

(54) **JUMPSTART WITH COMPRESSOR**

(71) Applicant: **Ling To Shum**, Boca Raton, FL (US)

(72) Inventor: **Ling To Shum**, Boca Raton, FL (US)

(**) Term: **15 Years**

(21) Appl. No.: **29/673,271**

(22) Filed: **Dec. 13, 2018**

(51) **LOC (12) Cl.** **13-02**

(52) **U.S. Cl.**
USPC **D13/107**; D13/103; D15/9

(58) **Field of Classification Search**
USPC D13/102–110, 118–119, 184, 199;
D14/356, 432; D15/9
CPC Y02E 60/12; Y02E 60/122; Y02E 60/124;
Y02E 60/50; H01M 2/02; H01M 2/022;
H01M 2/0202; H01M 2/0207; H01M
2/0212; H01M 2/1061; H01M 2/1022;
H01M 2/1055; H01M 2/1066; H01M
2/105; H01M 2/204; H01M 2/1016;
Y02T 10/7005; Y02T 10/705; Y02T
10/7088; H02J 7/0034; H02J 7/0054;
H02J 7/1423; H02J 2001/006

See application file for complete search history.

(56) **References Cited**

U.S. PATENT DOCUMENTS

D593,941 S *	6/2009	Ellsworth	D13/107
D594,405 S *	6/2009	Murray	D13/107
D594,406 S *	6/2009	Ellsworth	D13/107
D595,222 S *	6/2009	Ellsworth	D13/107
D610,982 S *	3/2010	Shum	D13/107

D660,793 S *	5/2012	Inskeep	D13/107
D664,502 S *	7/2012	Inskeep	D13/107
D684,116 S *	6/2013	Inskeep	D13/107
D697,866 S *	1/2014	Inskeep	D13/107
D729,728 S *	5/2015	Inskeep	D13/107
D742,308 S *	11/2015	James	D13/107
D775,587 S *	1/2017	Barajas	D13/107
D793,336 S *	8/2017	Inskeep	D13/107

* cited by examiner

Primary Examiner — Nathaniel D. Buckner

(74) *Attorney, Agent, or Firm* — Morgan, Lewis & Bockius LLP

(57) **CLAIM**

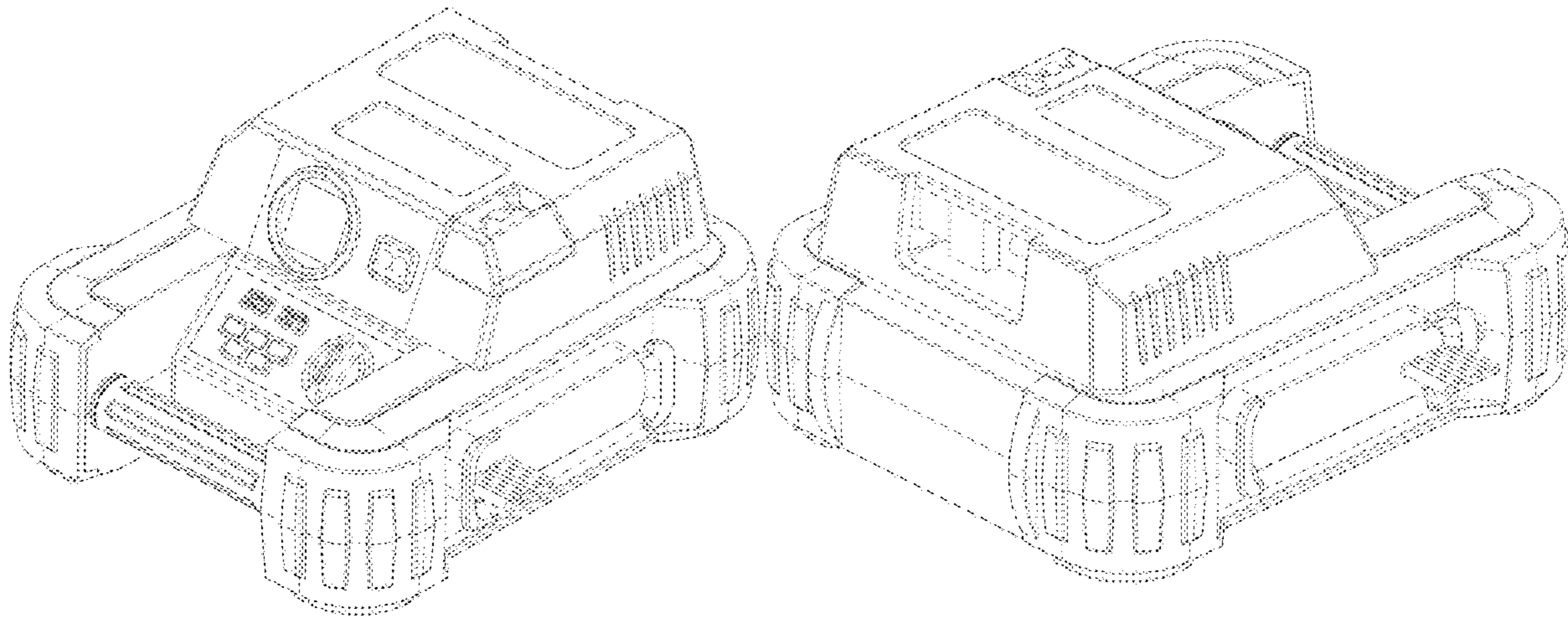
I claim the ornamental design for a jumpstart with compressor, as shown and described.

DESCRIPTION

FIG. 1 is a front perspective view of a jumpstart with compressor showing my new design.
FIG. 2 is a rear perspective view thereof.
FIG. 3 is a front view thereof.
FIG. 4 is a right view thereof.
FIG. 5 is a left view thereof.
FIG. 6 is a rear view thereof.
FIG. 7 is a top view thereof; and,
FIG. 8 is a bottom view thereof.

The broken lines in the drawings are for the purpose of illustrating portions of the jumpstart with compressor that form no part of the claimed design.

1 Claim, 8 Drawing Sheets



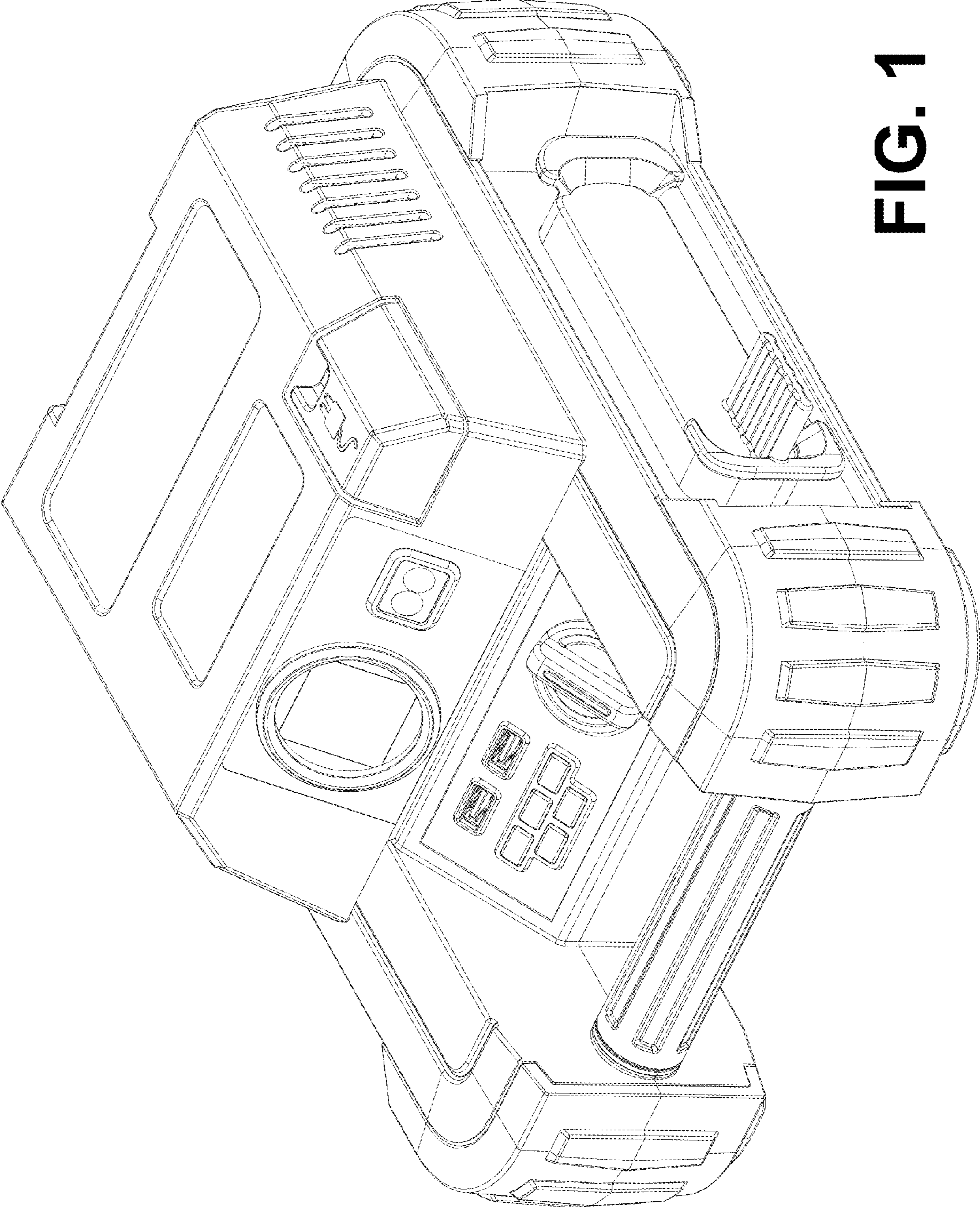


FIG. 1

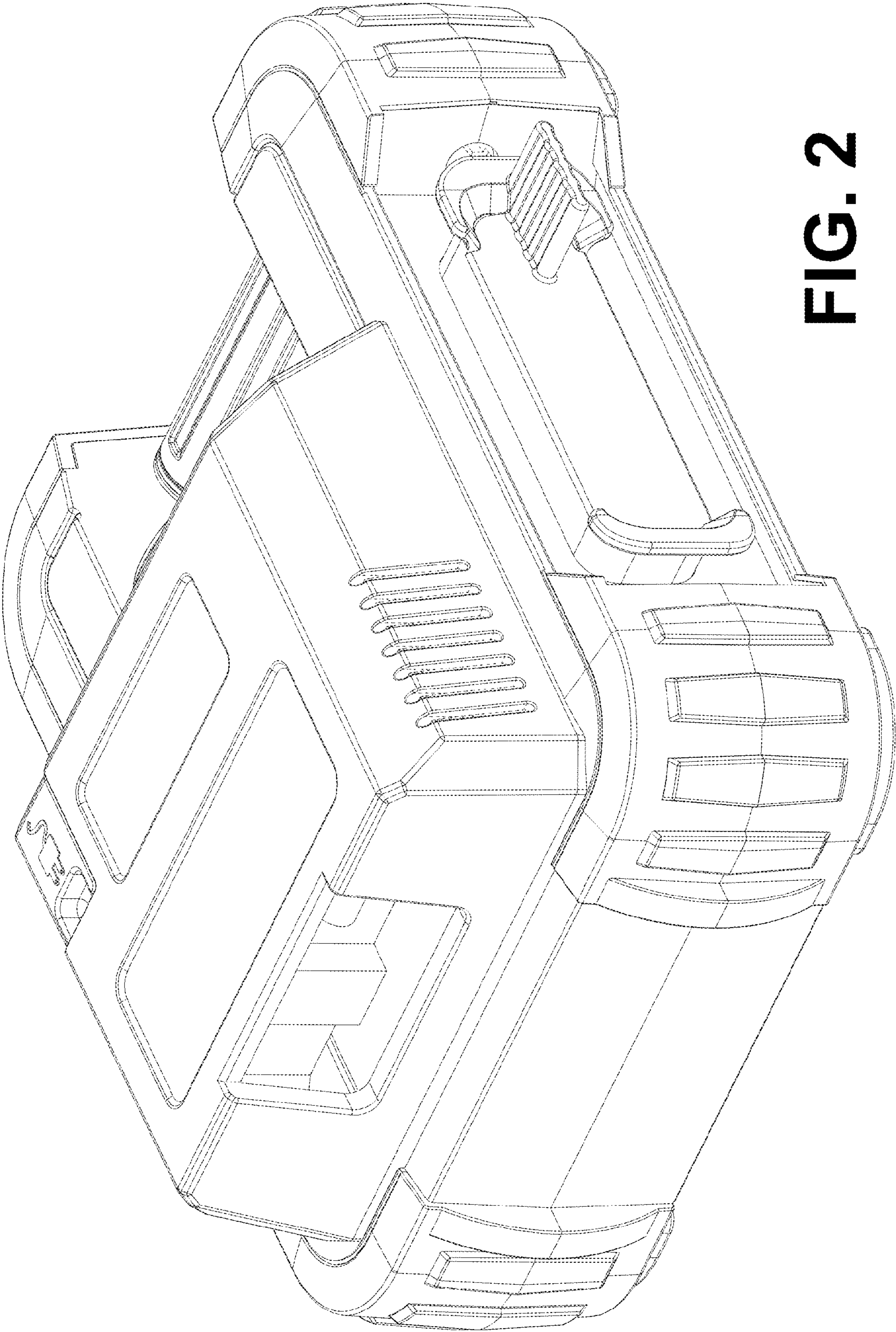


FIG. 2

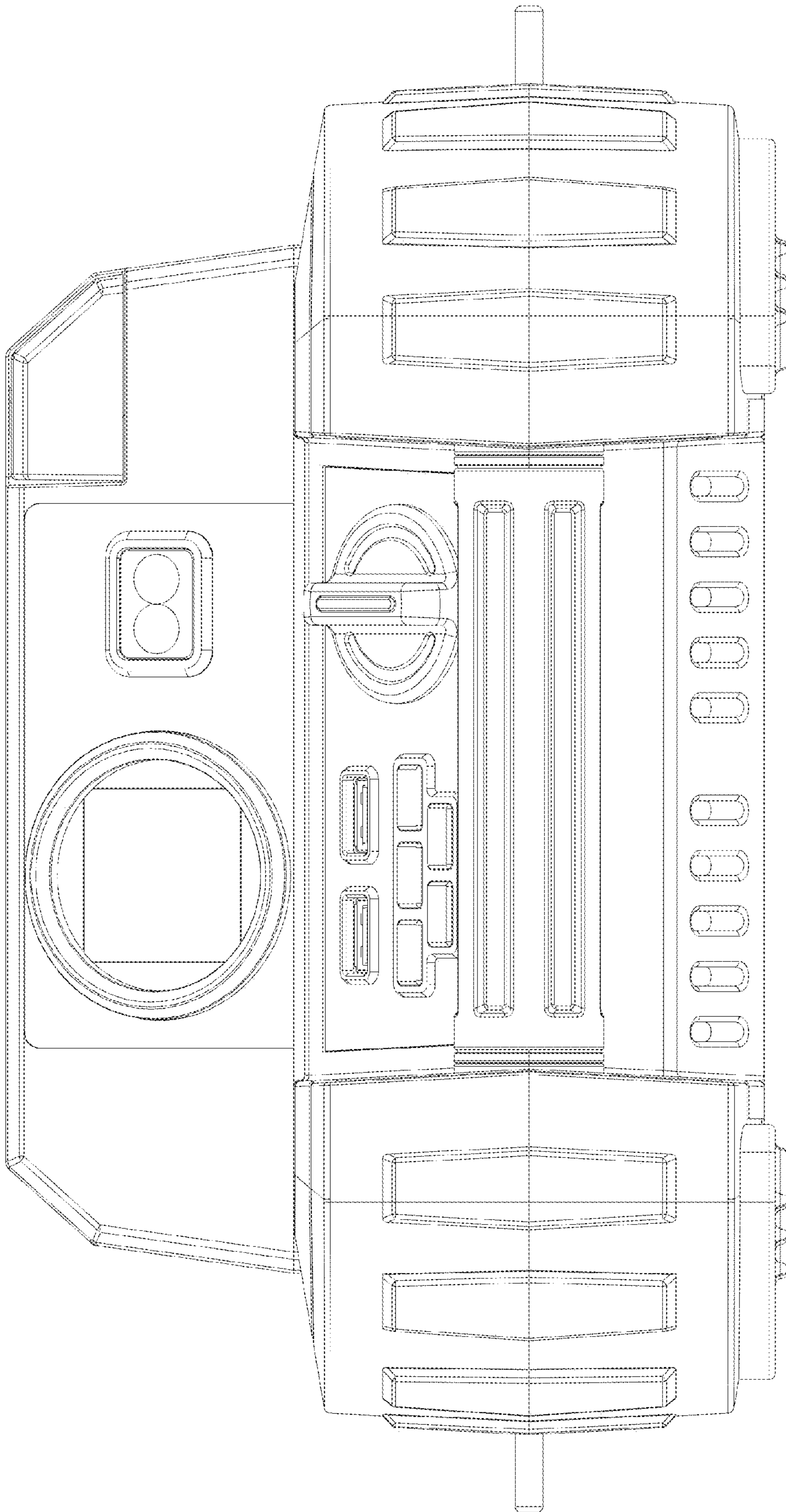


FIG. 3

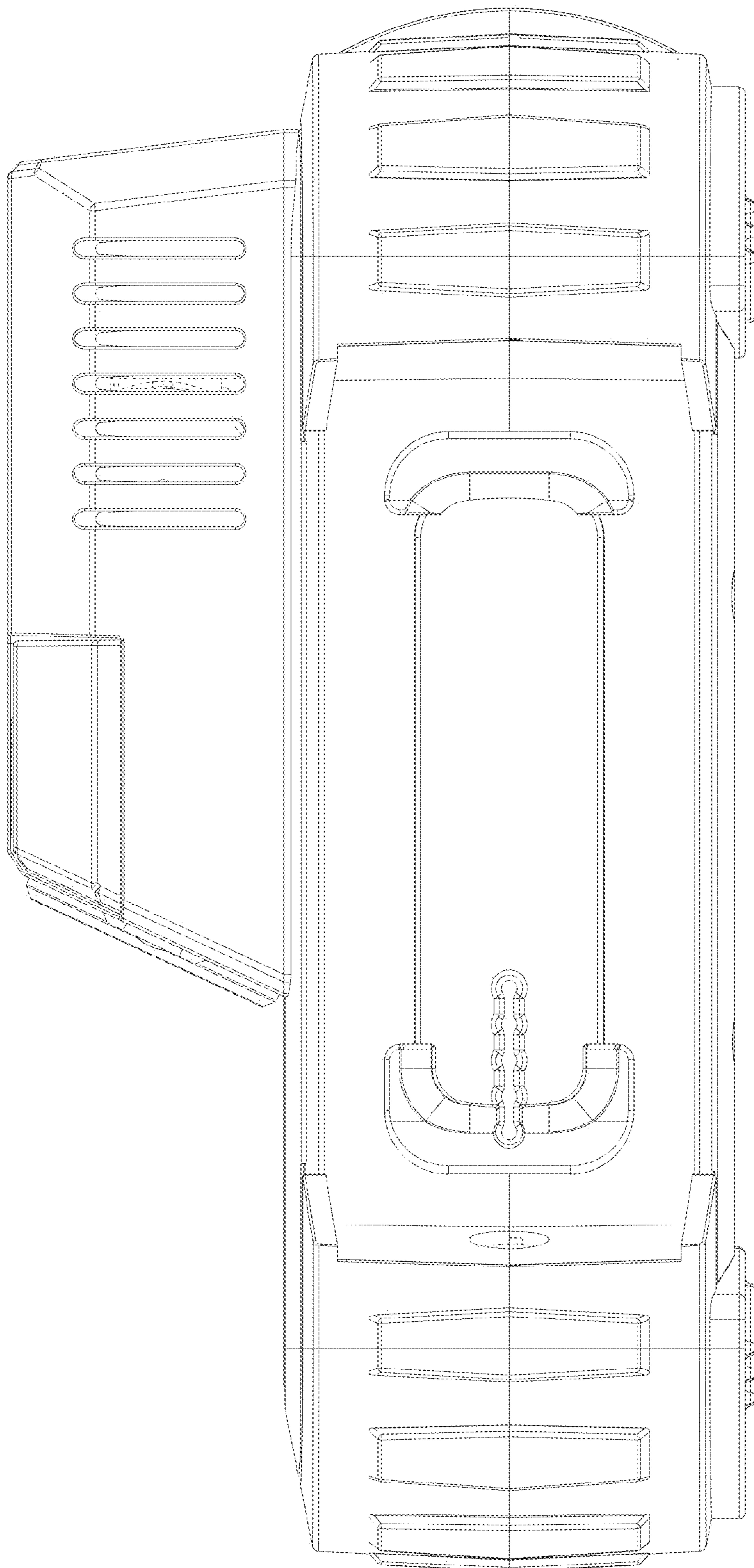


FIG. 4

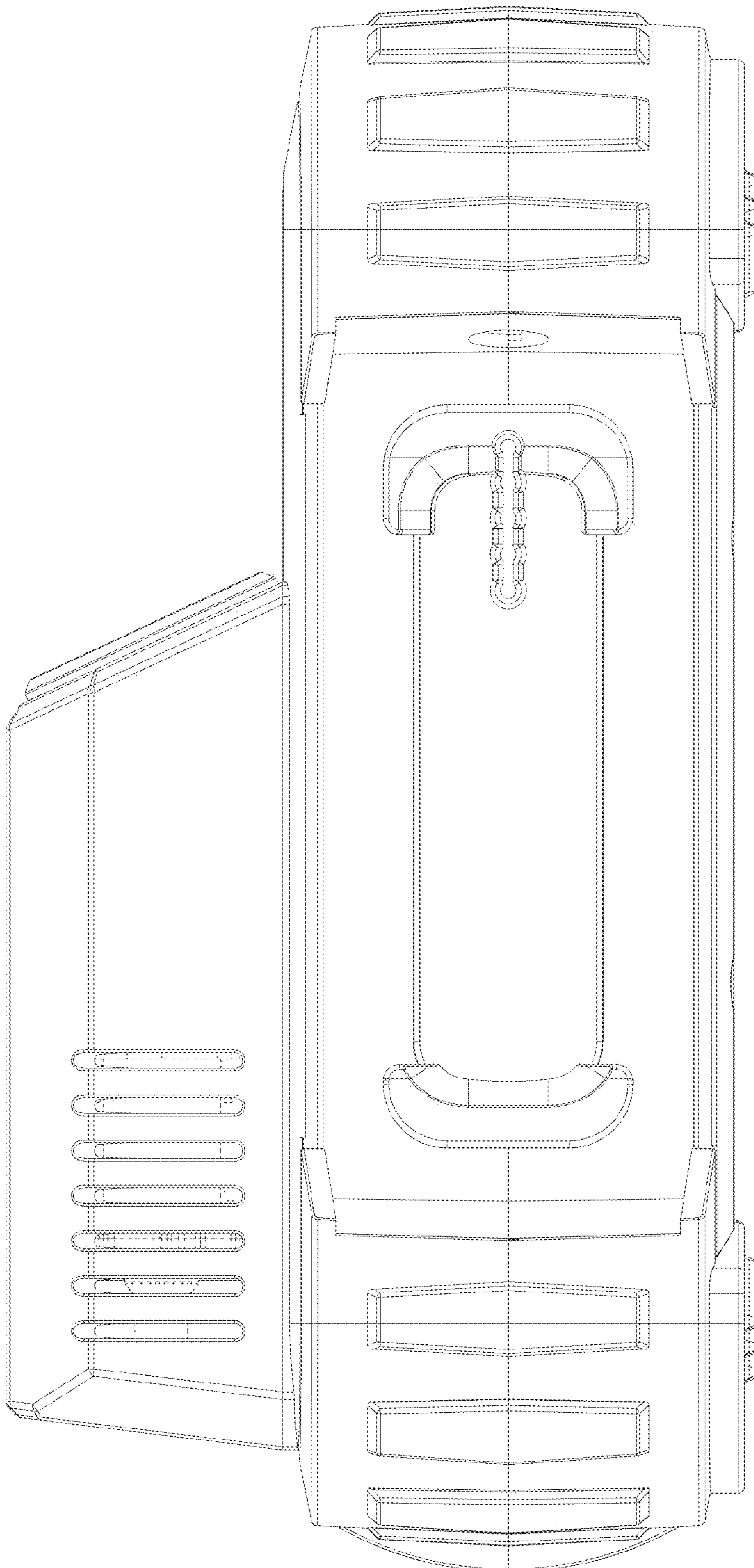


FIG. 5

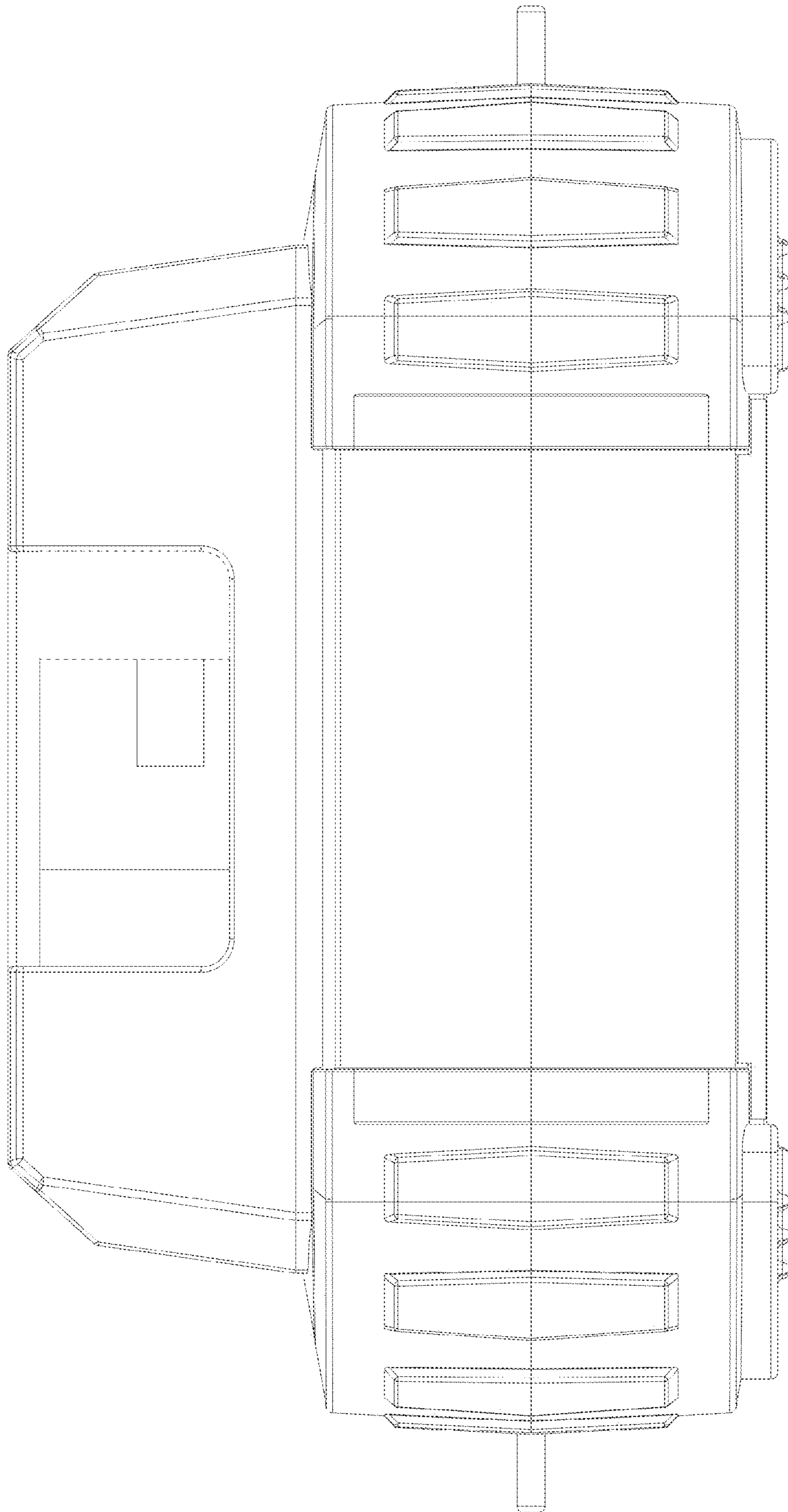


FIG. 6

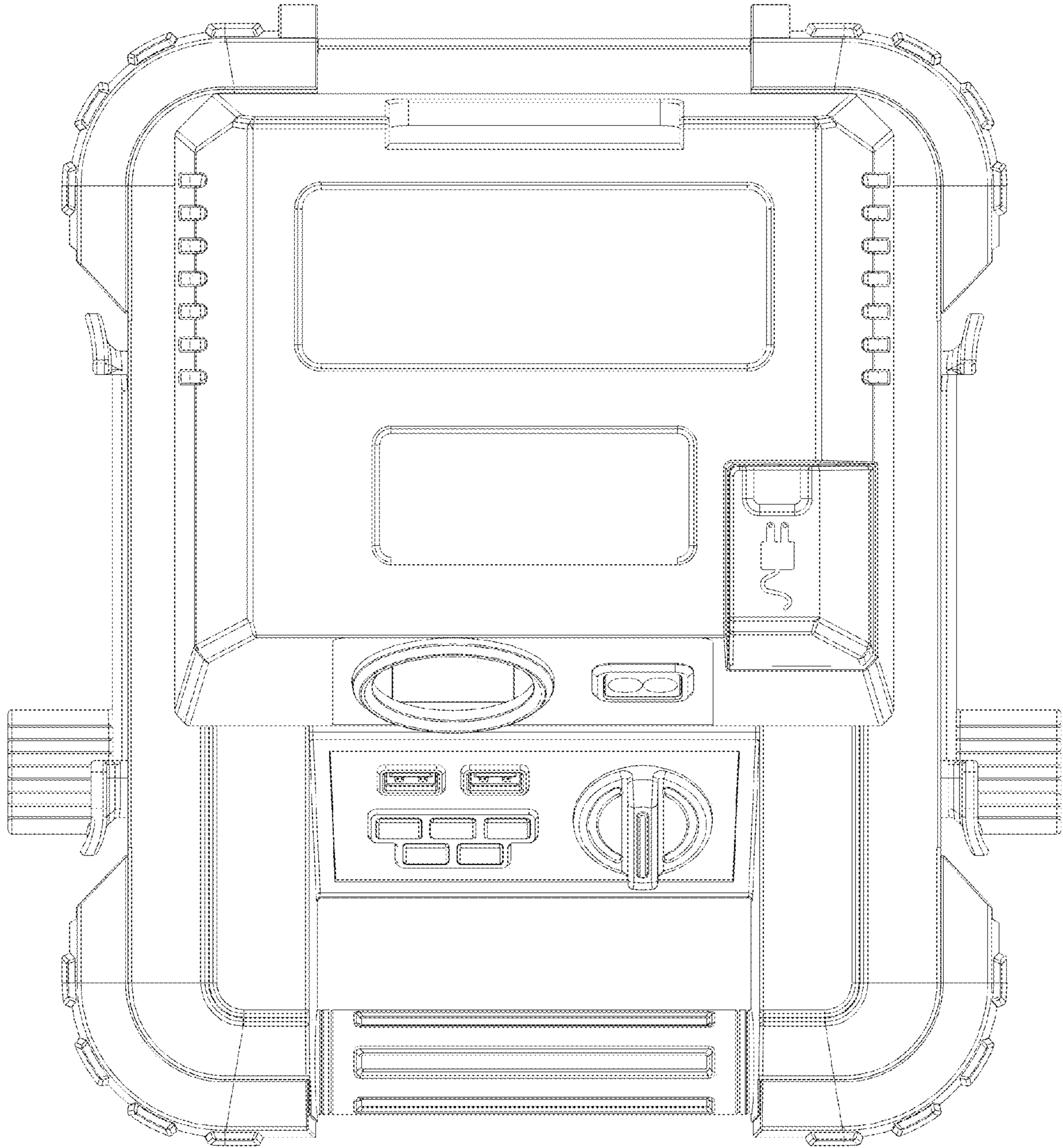


FIG. 7

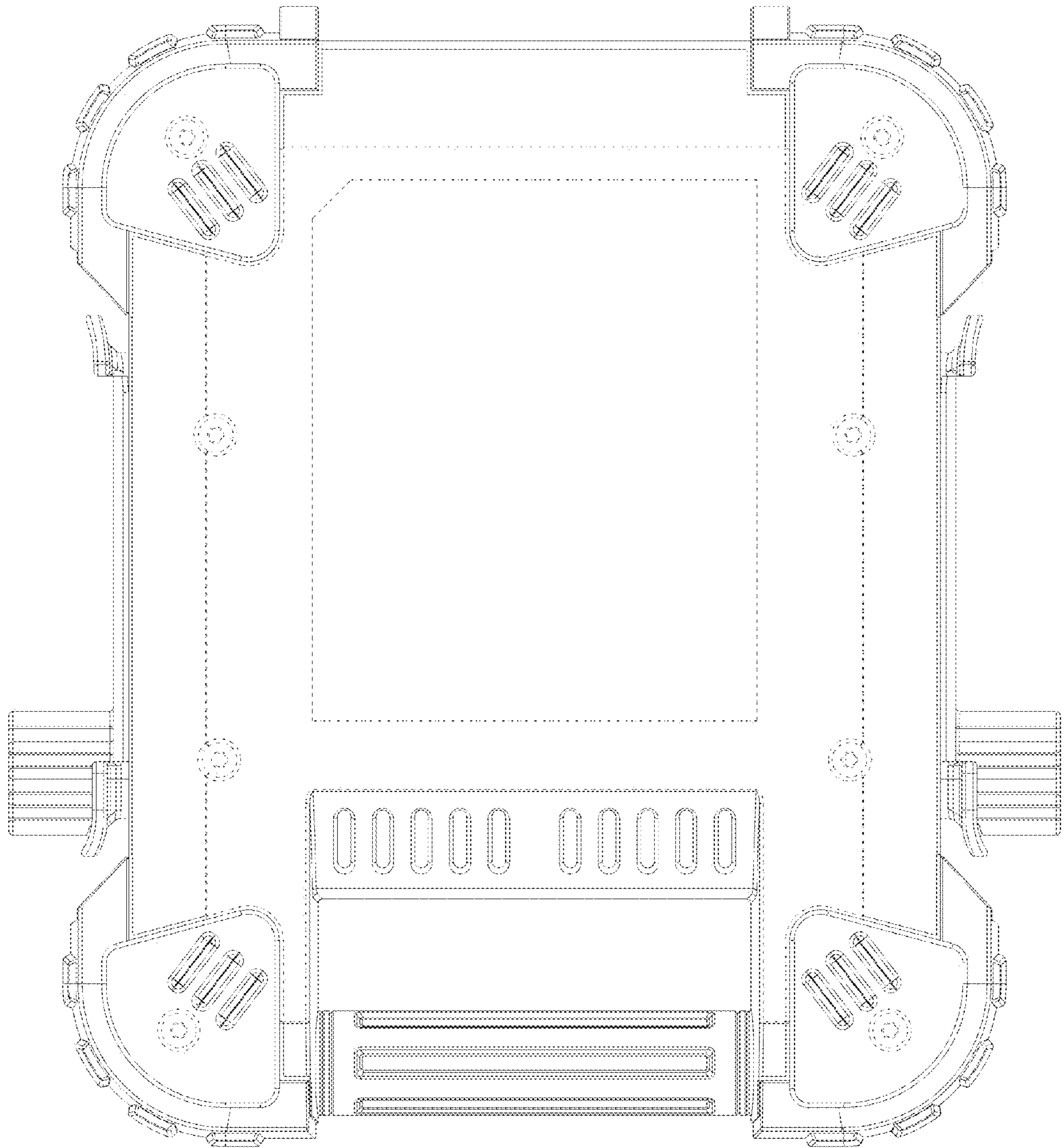


FIG. 8