

US00D897278S

(12) **United States Design Patent** (10) **Patent No.:** **US D897,278 S**
Zeng (45) **Date of Patent:** **** Sep. 29, 2020**

(54) **POWER CONVERTER**

(71) Applicant: **Zhaokun Zeng**, Wuchuan (CN)

(72) Inventor: **Zhaokun Zeng**, Wuchuan (CN)

(**) Term: **15 Years**

(21) Appl. No.: **29/676,275**

(22) Filed: **Jan. 9, 2019**

(30) **Foreign Application Priority Data**

Jul. 14, 2018 (CN) 2018 3 0380369

(51) **LOC (12) Cl.** **13-02**

(52) **U.S. Cl.**
USPC **D13/102**

(58) **Field of Classification Search**
USPC D13/107-110, 118-119, 184; D14/251,
D14/253, 432, 434

CPC Y02E 60/12; Y02T 90/14; Y02T 90/122;
Y02T 90/128; Y02T 90/163; H02J 7/025;
H02J 7/0042; H02J 7/0044; H02J 7/0045;
H02J 7/0013; H02J 7/0003; H01F 38/14;
H01R 13/6675; H01M 2/1022; H01M
2/1055; H01M 10/44; H01M 10/46;
H01M 10/425; B60L 11/182

See application file for complete search history.

(56) **References Cited**

U.S. PATENT DOCUMENTS

4,626,052 A * 12/1986 Rumble H01R 31/06
439/173
7,445,513 B1 * 11/2008 Lee H01R 31/06
439/131

D657,314 S * 4/2012 Ruffner D13/139.1
8,157,578 B2 * 4/2012 Lee H01R 31/06
439/172
D664,094 S * 7/2012 Ruffner D13/138.2
D741,265 S * 10/2015 Lee D13/137.2
D805,479 S * 12/2017 Lin D13/137.2
D830,307 S * 10/2018 Liu D13/137.2
D838,245 S * 1/2019 Lin D13/137.2
D856,933 S * 8/2019 Lin D13/137.2
D863,223 S * 10/2019 Zeng D13/137.2
D864,863 S * 10/2019 Lee D13/110
D873,218 S * 1/2020 Liu D13/110

* cited by examiner

Primary Examiner — Nathaniel D. Buckner

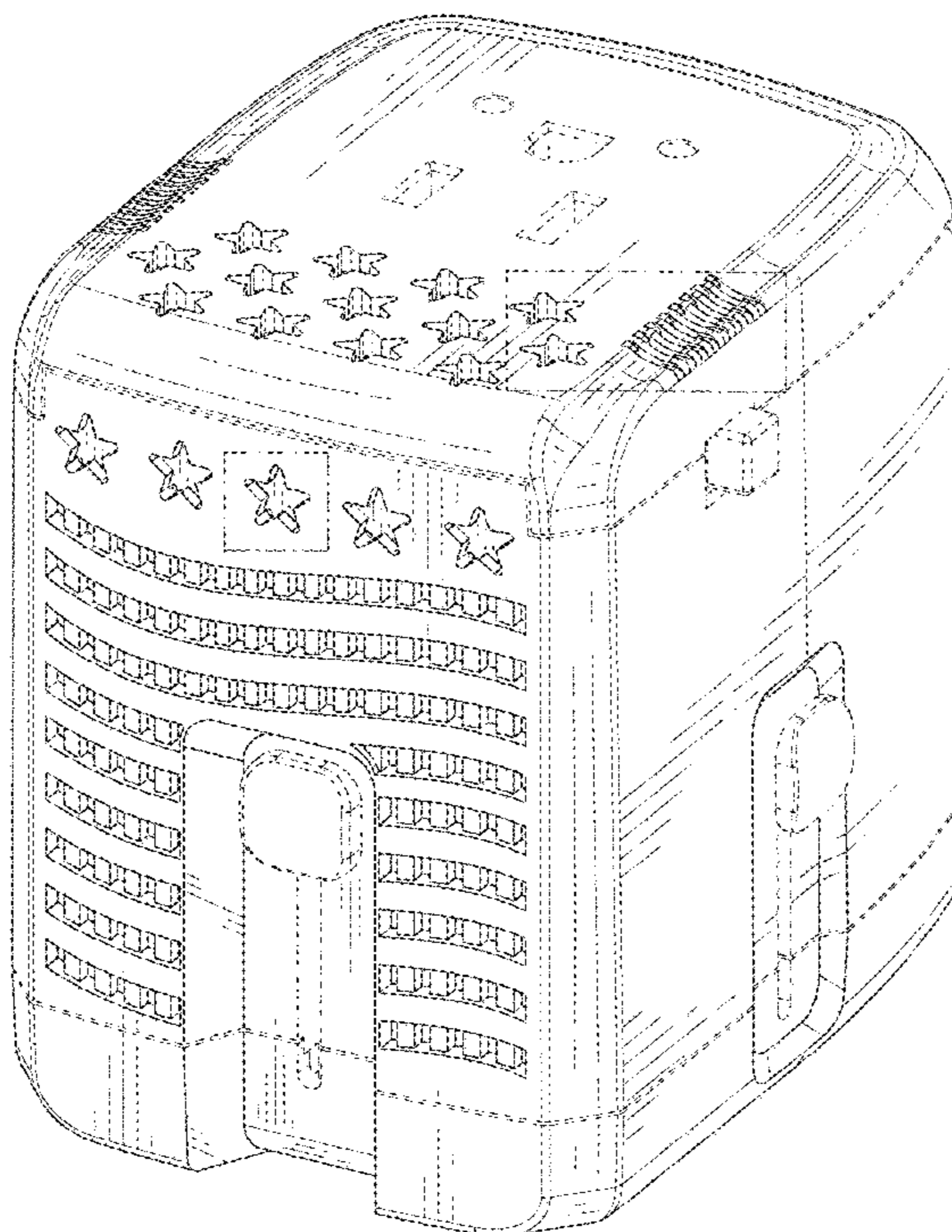
(57) **CLAIM**

The ornamental design for a power converter, as shown and described.

DESCRIPTION

FIG. 1 is a perspective view of a power converter showing my new design;
FIG. 2 is a front elevational view of thereof;
FIG. 3 is a rear elevational view thereof;
FIG. 4 is a left side elevational view thereof;
FIG. 5 is a right side elevational view thereof;
FIG. 6 is a top plan view thereof;
FIG. 7 is a bottom plan view thereof;
FIG. 8 is another perspective view thereof;
FIG. 9 is an enlarged view of a portion of FIG. 8; and,
FIG. 10 is an enlarged view of another portion FIG. 8.
The broken lines in the drawings illustration portions of the power converter that forms no part of the claimed design.

1 Claim, 9 Drawing Sheets



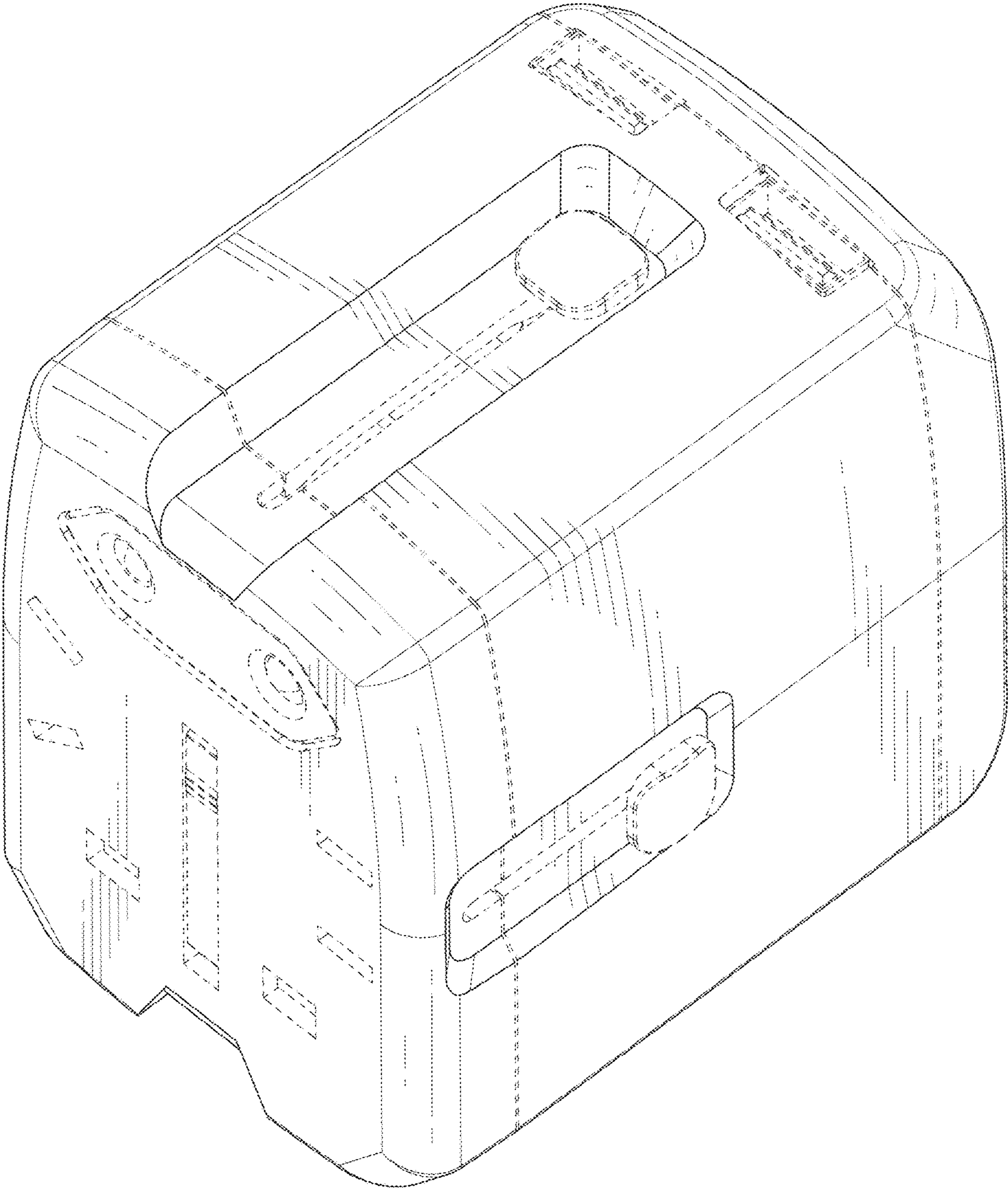


FIG.1

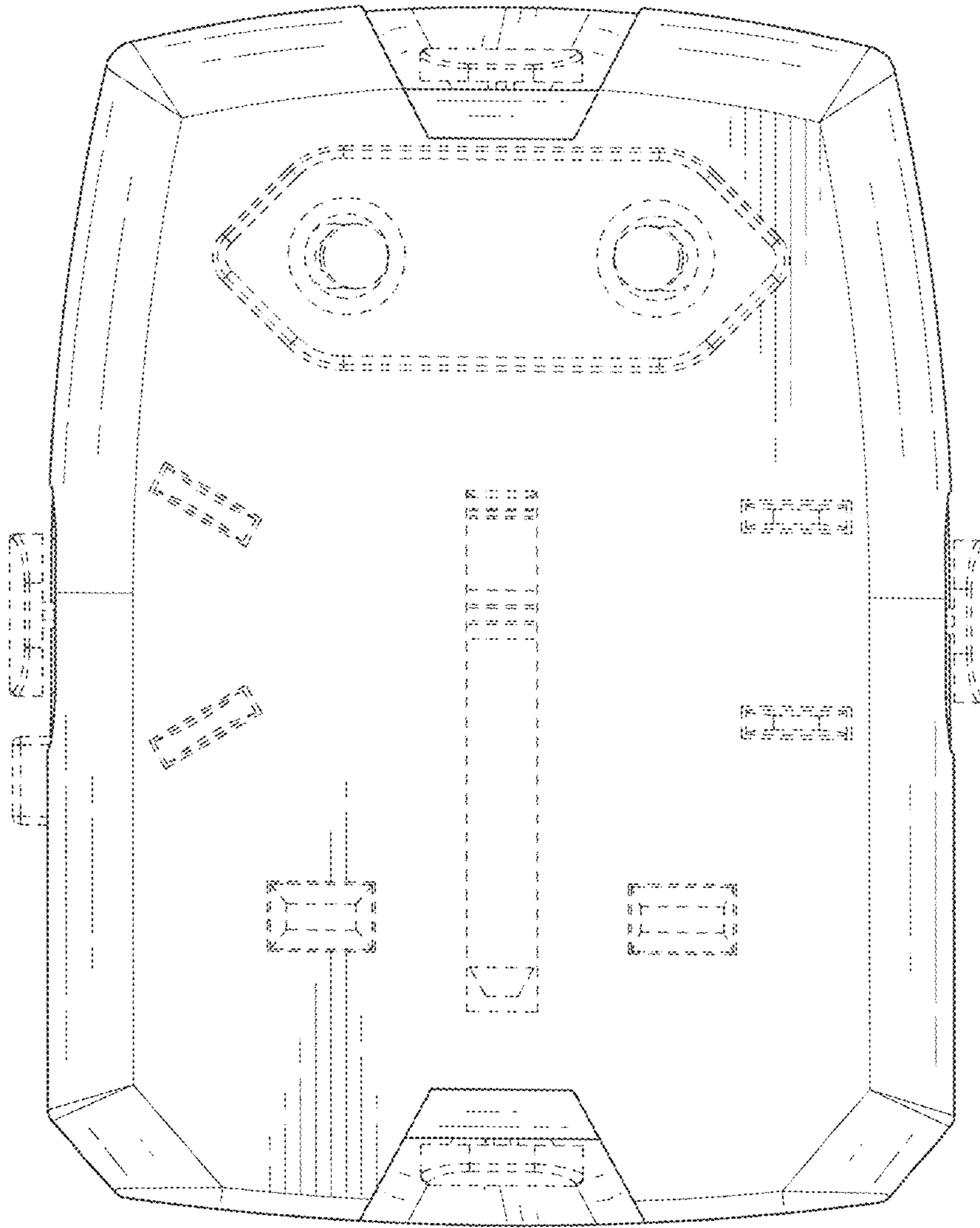


FIG.2

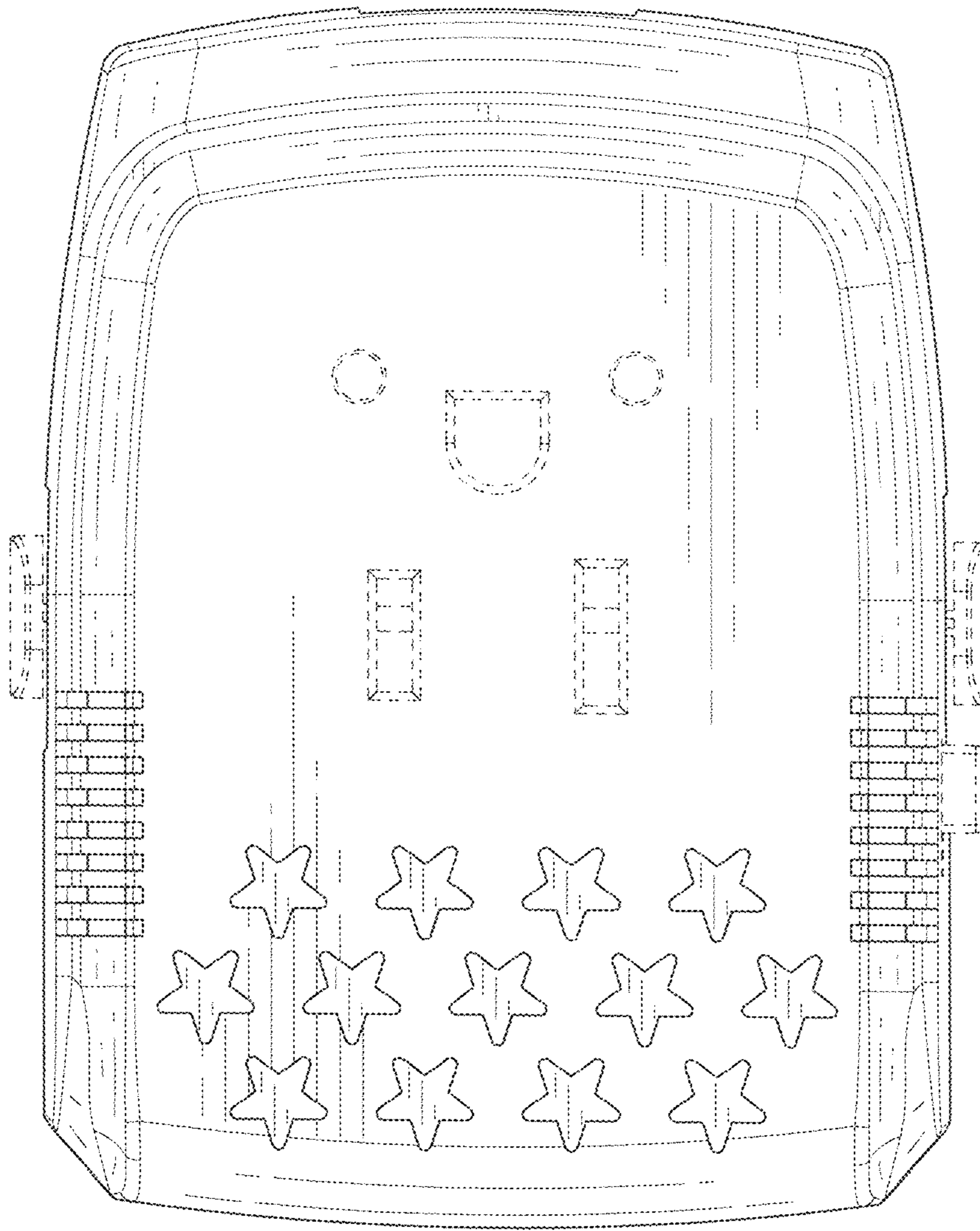


FIG.3

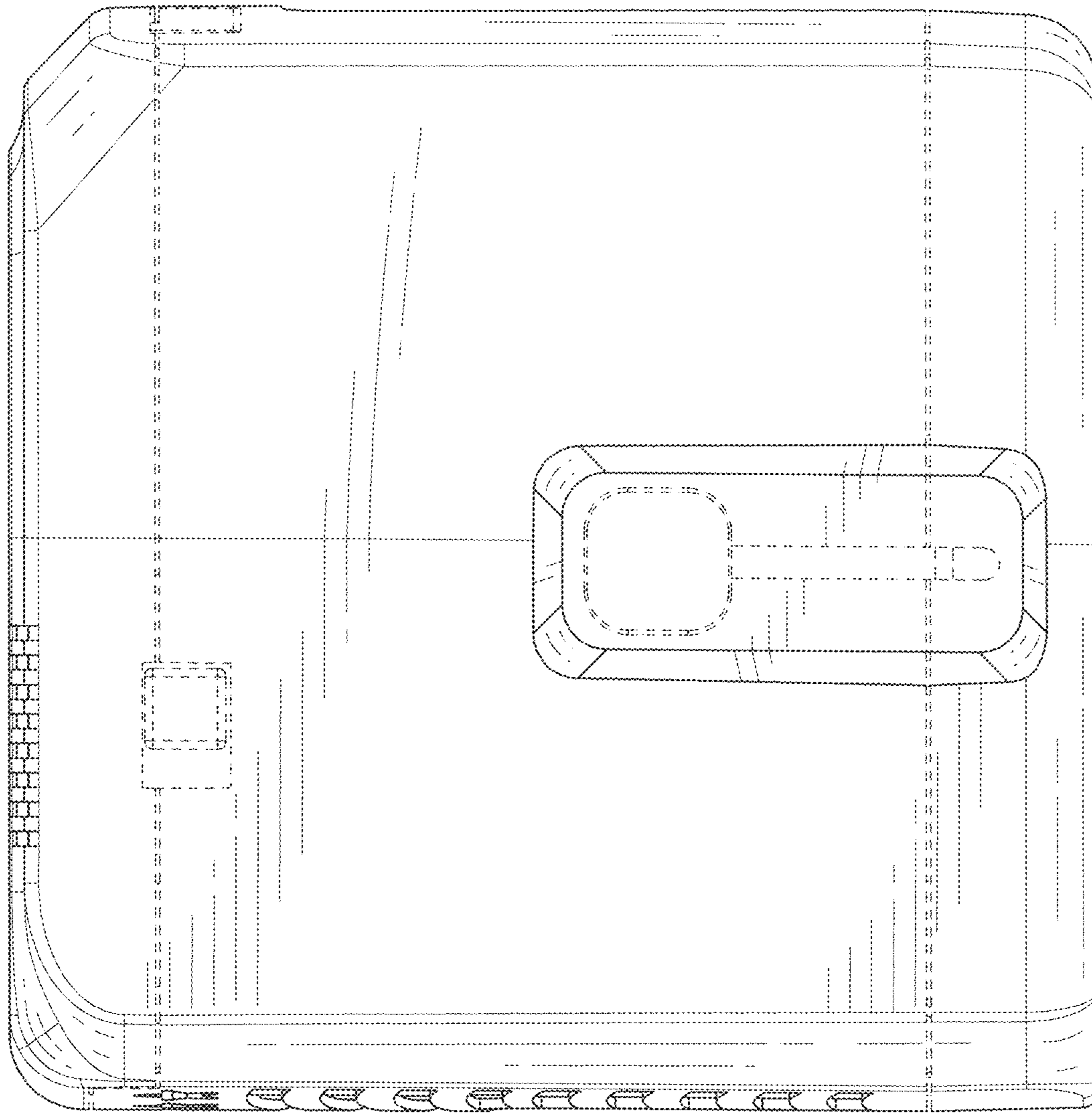


FIG.4

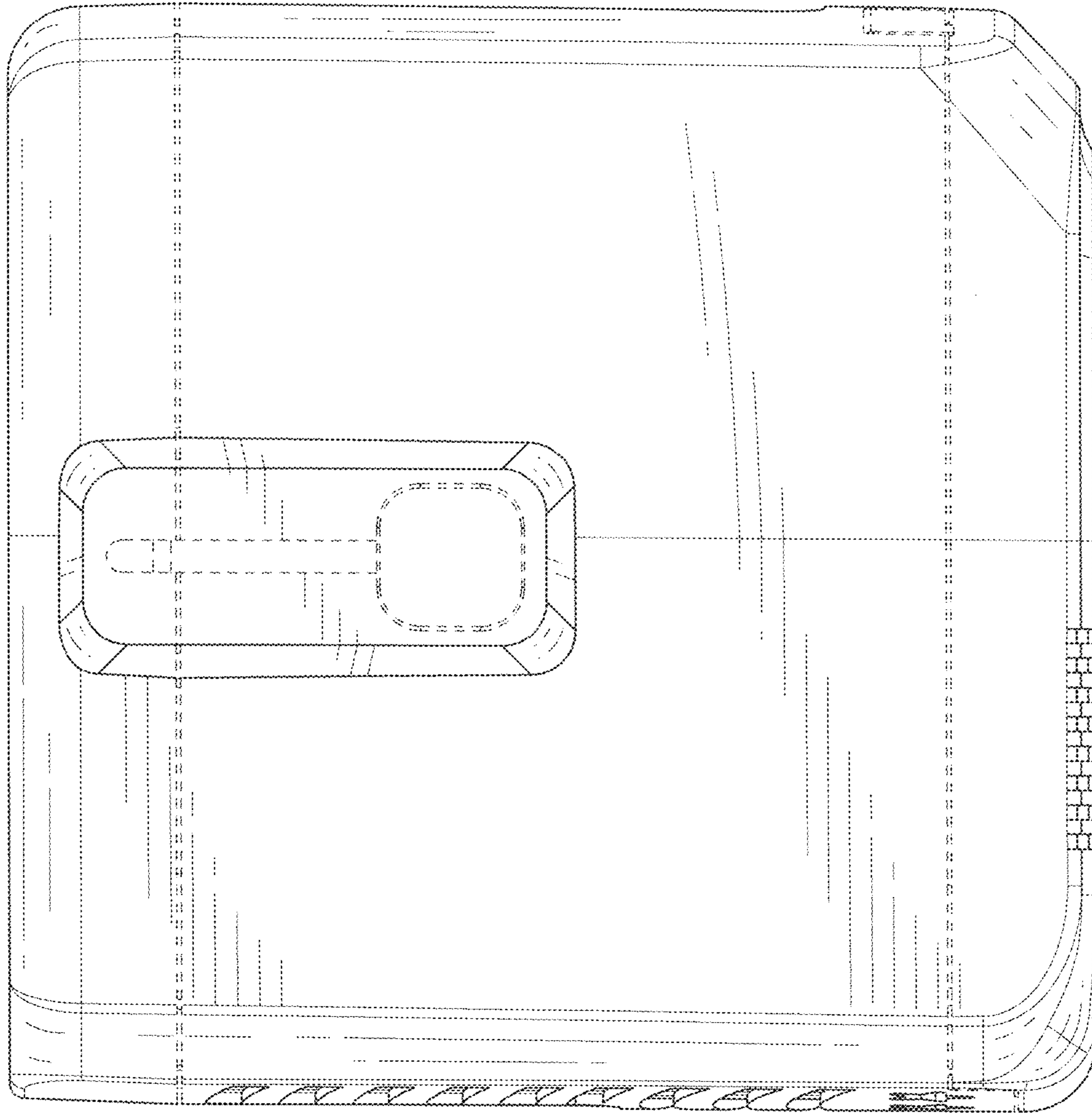


FIG.5

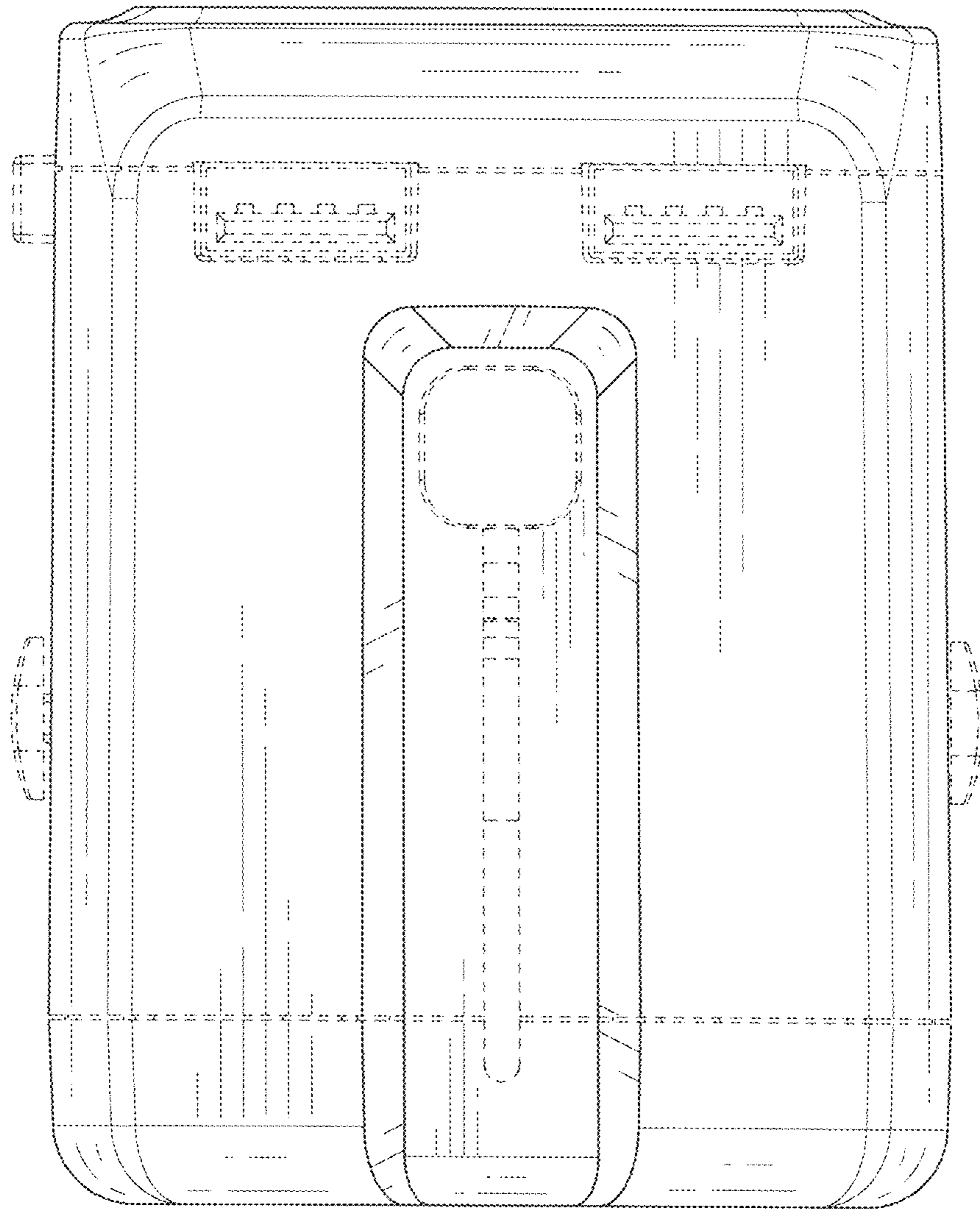


FIG.6

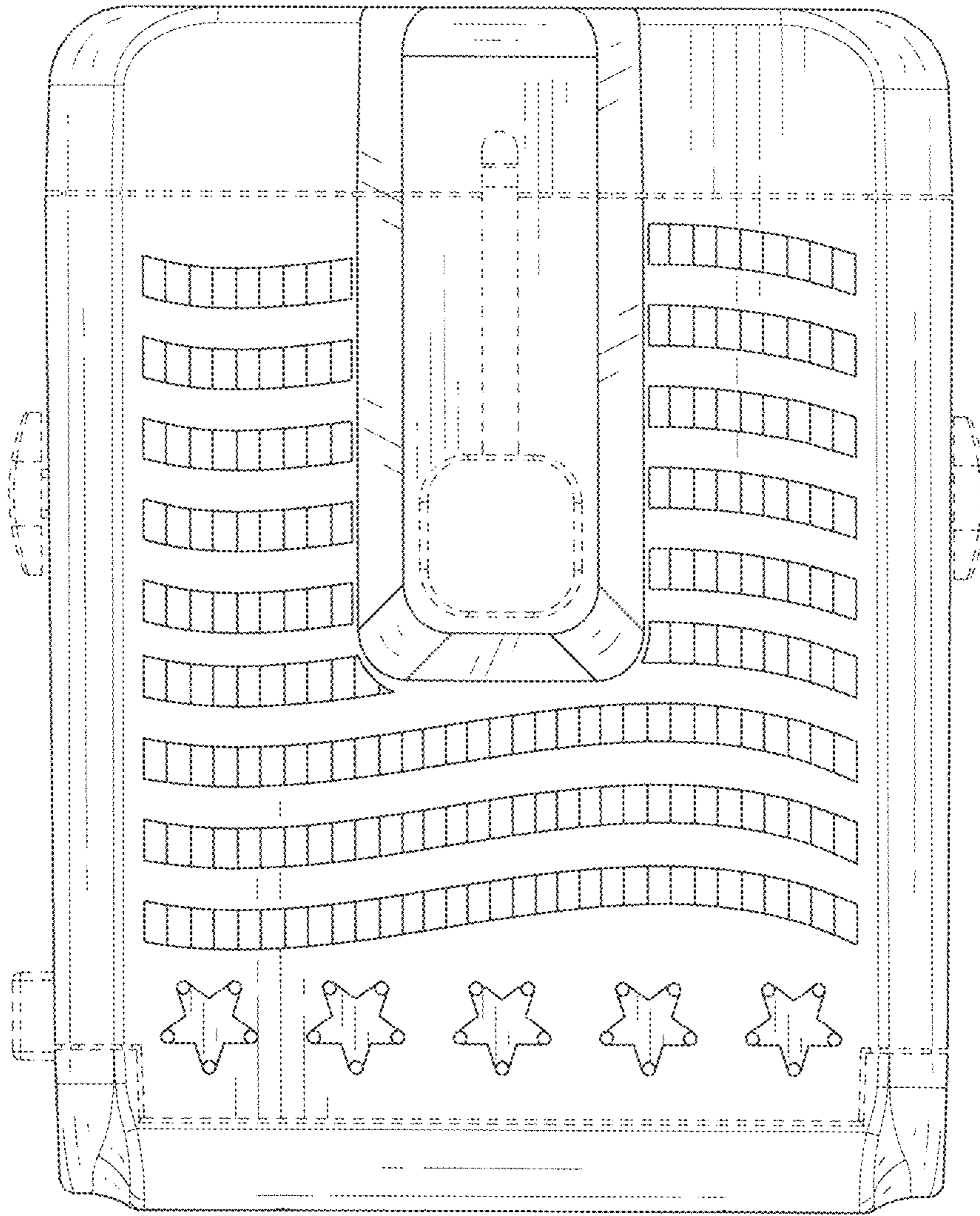


FIG.7

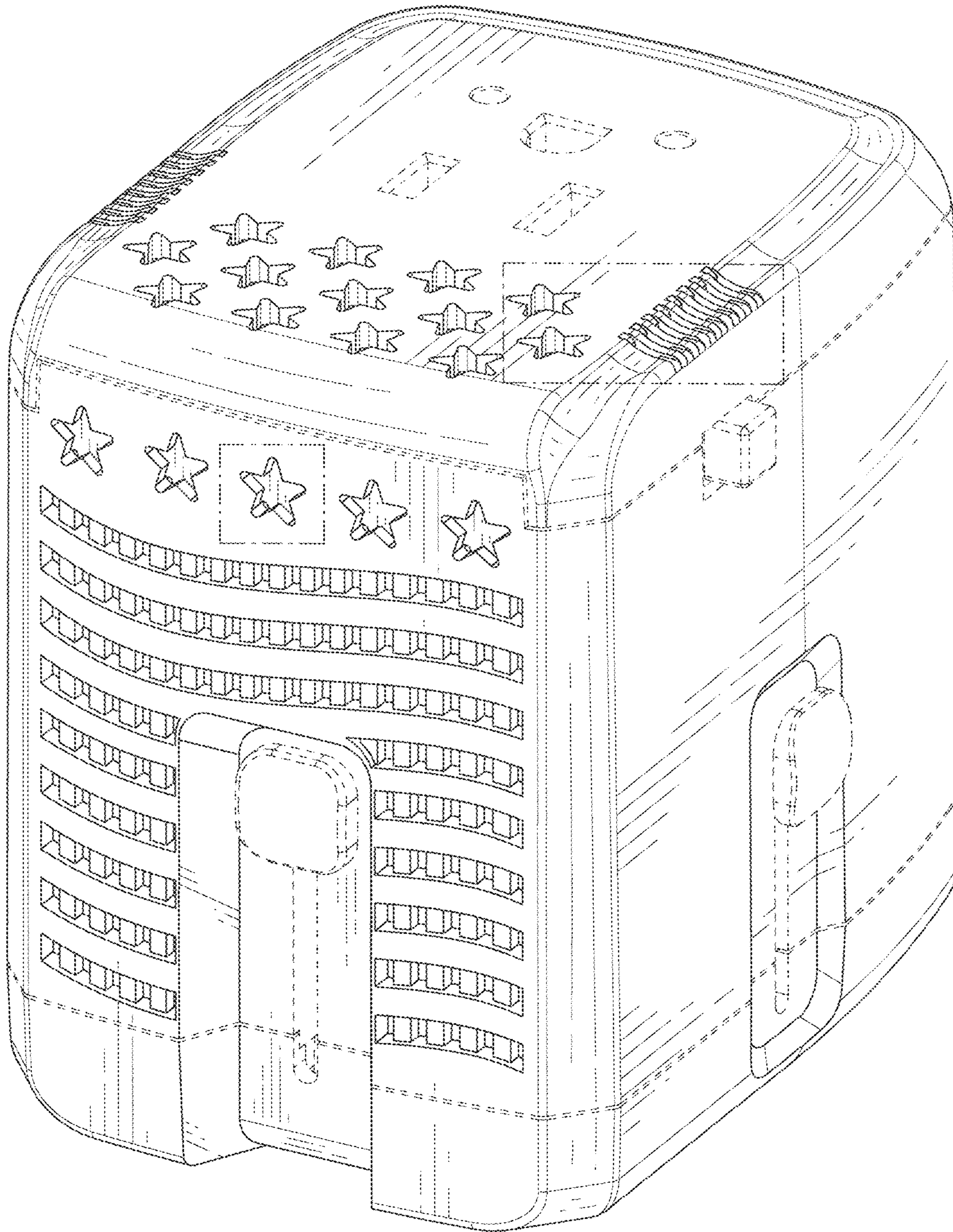


FIG.8

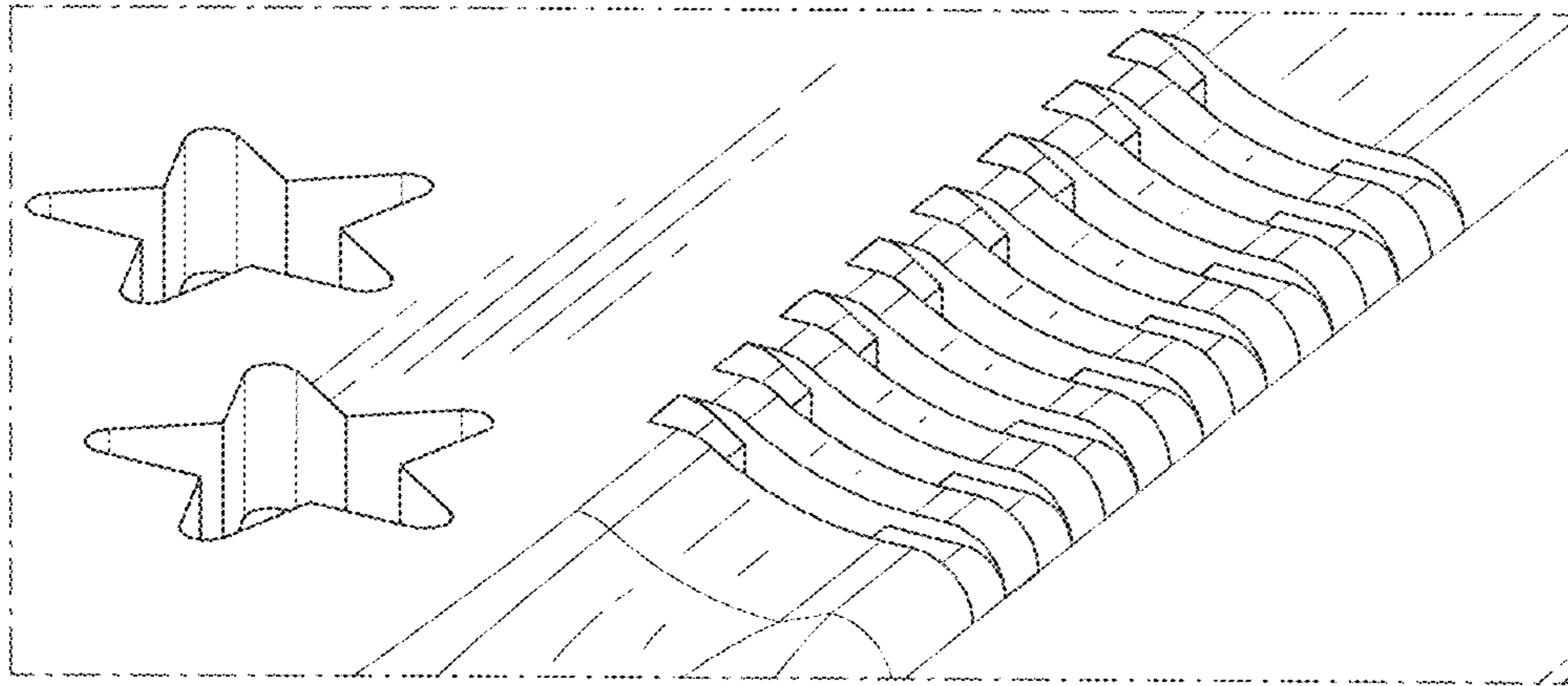


FIG. 9

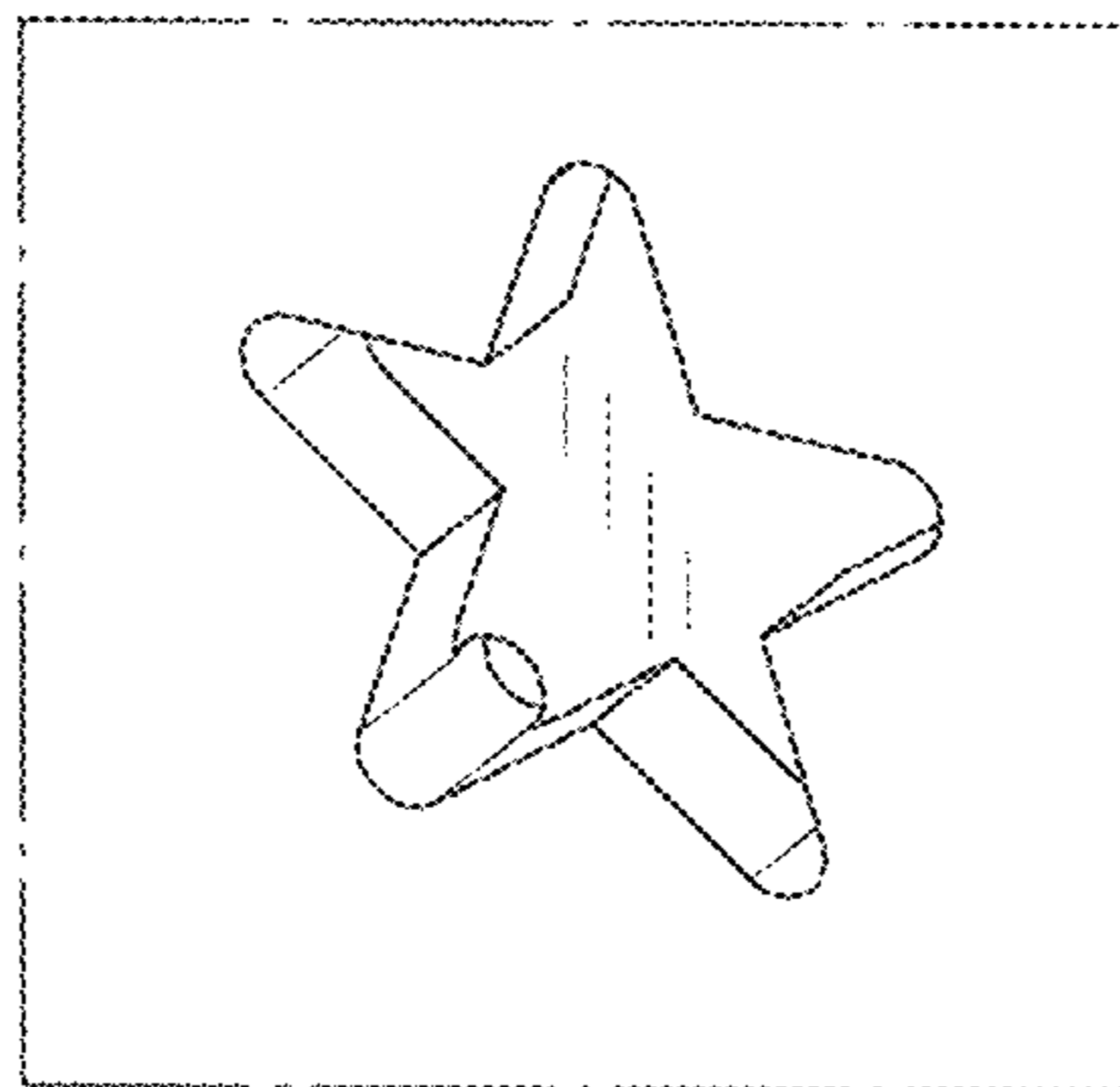


FIG. 10